



US00D718183S

(12) **United States Design Patent**  
**Wu et al.**

(10) **Patent No.:** **US D718,183 S**

(45) **Date of Patent:** **\*\* Nov. 25, 2014**

(54) **DECORATIVE AND CONNECTABLE  
DISPLAY PRODUCT**

(71) Applicants: **Yu-Chi Wu**, Taipei (TW); **Hsiu-Mei Wang**, Taipei (TW)

(72) Inventors: **Yu-Chi Wu**, Taipei (TW); **Hsiu-Mei Wang**, Taipei (TW)

(73) Assignee: **Fourstar Group Inc.** (TW)

(\*\*) Term: **14 Years**

(21) Appl. No.: **29/478,206**

(22) Filed: **Jan. 2, 2014**

(51) **LOC (10) Cl.** ..... **11-02**

(52) **U.S. Cl.**  
USPC ..... **D11/158**

(58) **Field of Classification Search**  
USPC ..... D11/157, 158, 131, 133, 134, 184;  
D21/471, 478, 479, 484, 499, 500;  
273/241, 271, 276, 290, 153 R, 156,  
273/157 R, 160, 153 S; 446/69, 85, 106,  
446/108, 111, 112, 116, 117, 120-122, 124,  
446/125, 127, 128

See application file for complete search history.

(56) **References Cited**

**U.S. PATENT DOCUMENTS**

1,455,009 A \* 5/1923 Schenk ..... 273/160  
3,334,798 A \* 8/1967 Pezely, Jr. et al. .... 206/594  
D215,949 S \* 11/1969 Markusen ..... D21/479  
3,704,776 A \* 12/1972 Collins ..... 206/216  
D288,304 S \* 2/1987 Grun ..... D11/131  
D322,044 S \* 12/1991 Marsar et al. .... D11/117  
5,124,903 A \* 6/1992 Coviello ..... 362/392  
D370,562 S \* 6/1996 Arini et al. .... D3/271.1

D390,498 S \* 2/1998 Reichert ..... D11/144  
5,826,873 A \* 10/1998 Lavermicocca ..... 273/157 R  
6,241,248 B1 \* 6/2001 Winter ..... 273/153 S  
D473,785 S \* 4/2003 Ahmed ..... D9/600  
D491,235 S \* 6/2004 Fang ..... D21/478  
D499,151 S \* 11/2004 Arabian ..... D21/480  
D506,790 S \* 6/2005 Gee ..... D21/479  
D569,301 S \* 5/2008 Fotherby ..... D11/117  
7,934,850 B2 \* 5/2011 Altamura et al. .... 362/228  
D649,905 S \* 12/2011 Gulbinski ..... D11/157

**OTHER PUBLICATIONS**

<http://www.dollartree.com/Solar-Powered-Connectable-Dancing-Flower-People/p350909/index.pro> (accessed on Sep. 25, 2014).\*

\* cited by examiner

*Primary Examiner* — T. Chase Nelson

*Assistant Examiner* — Michelle E Wilson

(74) *Attorney, Agent, or Firm* — Salter & Michaelson

(57) **CLAIM**

The ornamental design for a decorative and connectable display product, as shown and described.

**DESCRIPTION**

FIG. 1 is a perspective view of a decorative and connectable display product;

FIG. 2 is a front perspective view thereof;

FIG. 3 is a top plan view thereof;

FIG. 4 is a bottom plan view thereof; and

FIG. 5 is a right side elevational view thereof;

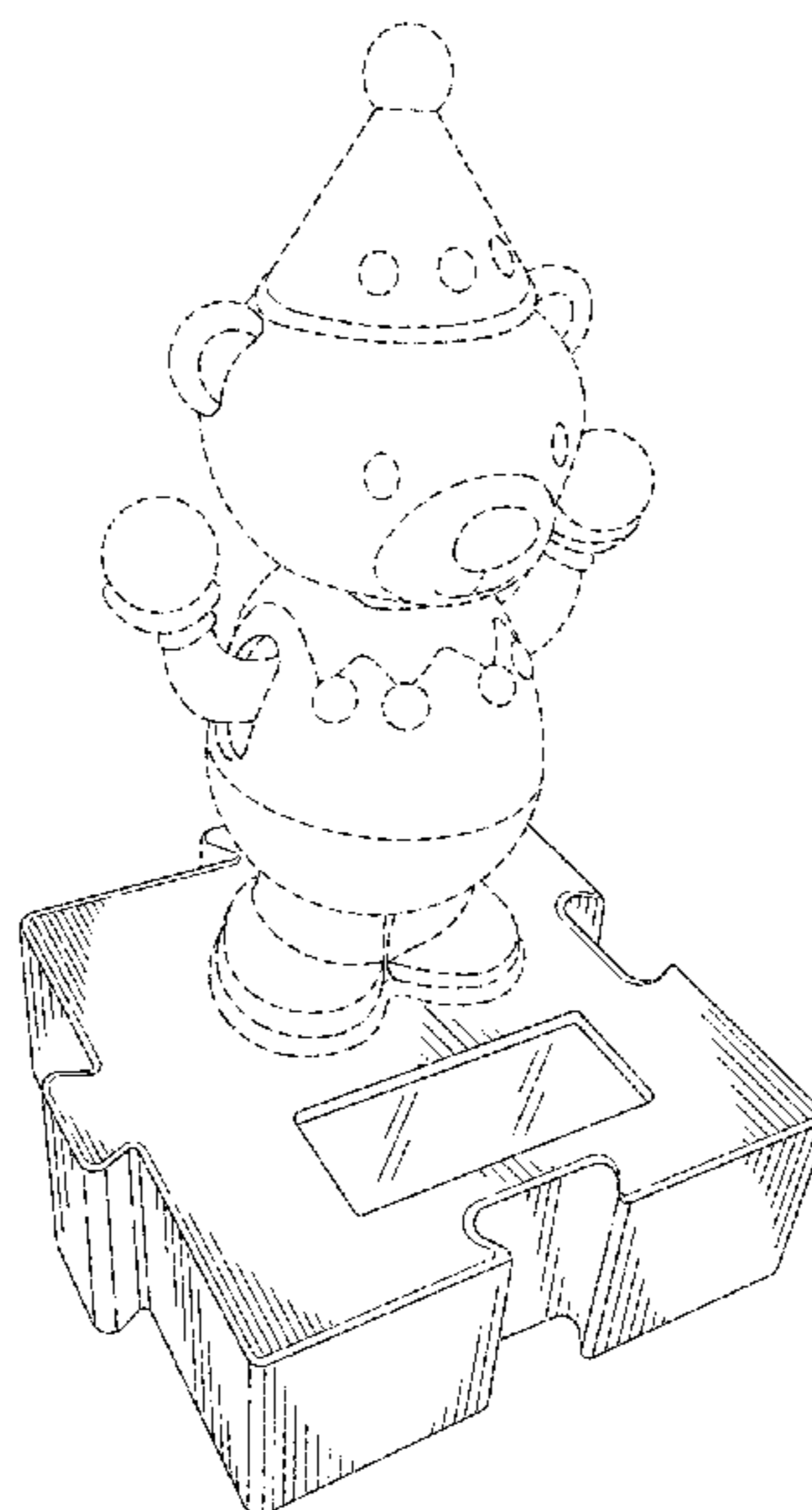
FIG. 6 is a left side elevational view thereof;

FIG. 7 is a front elevational view thereof; and,

FIG. 8 is a rear elevational view thereof.

The broken lines depict environmental subject matter only and form no part of the claimed design.

**1 Claim, 5 Drawing Sheets**



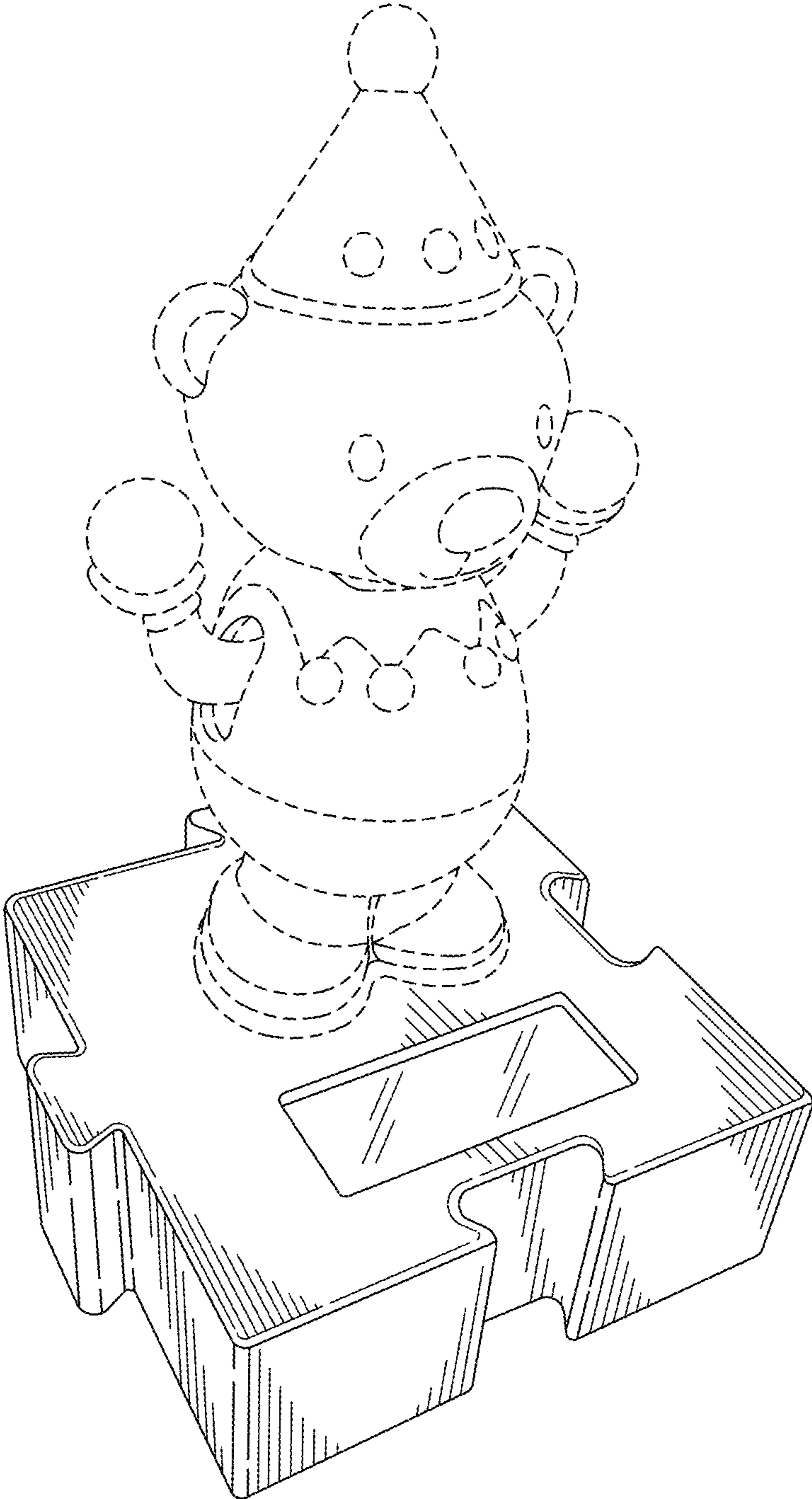


FIG. 1

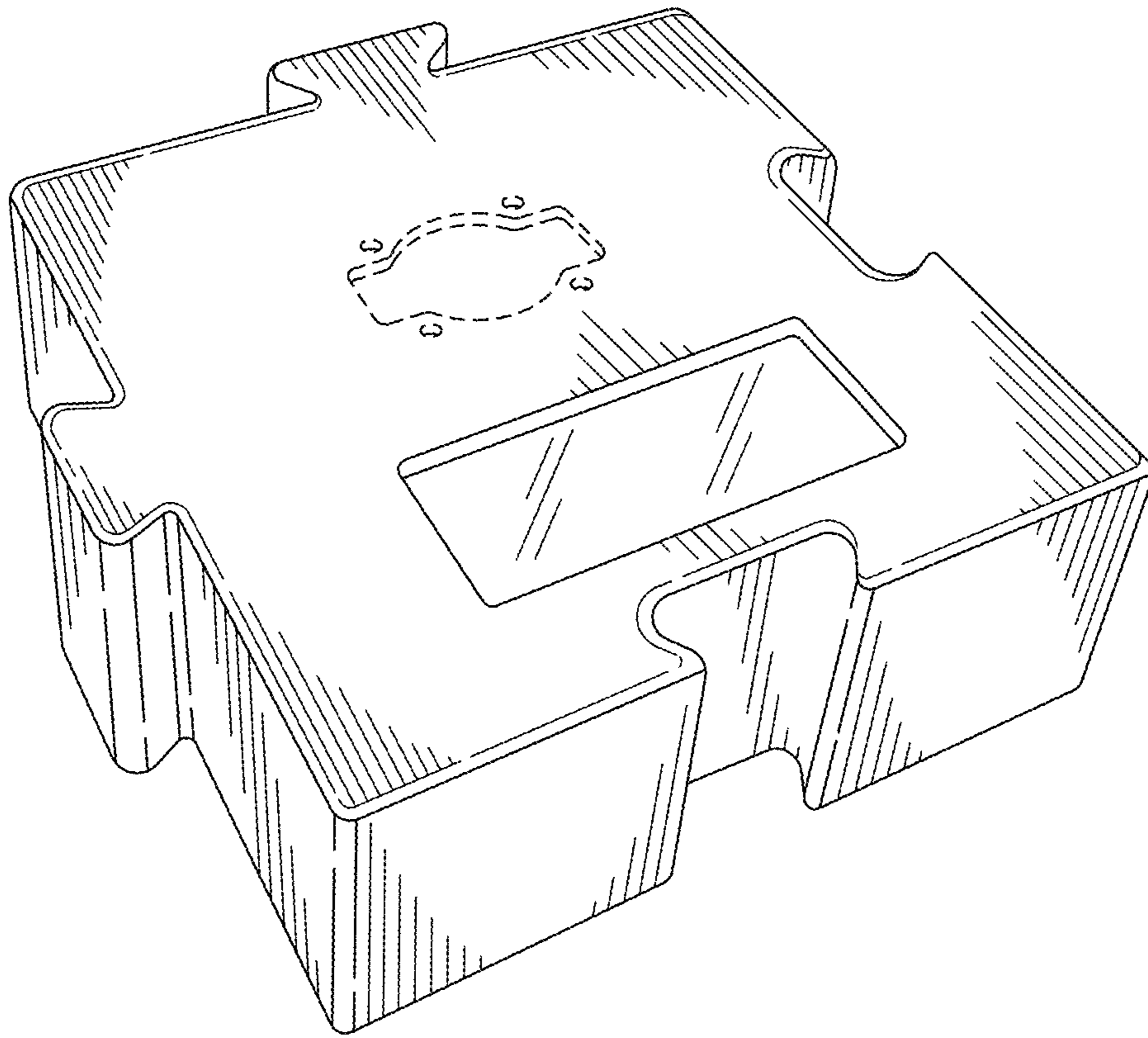


FIG. 2

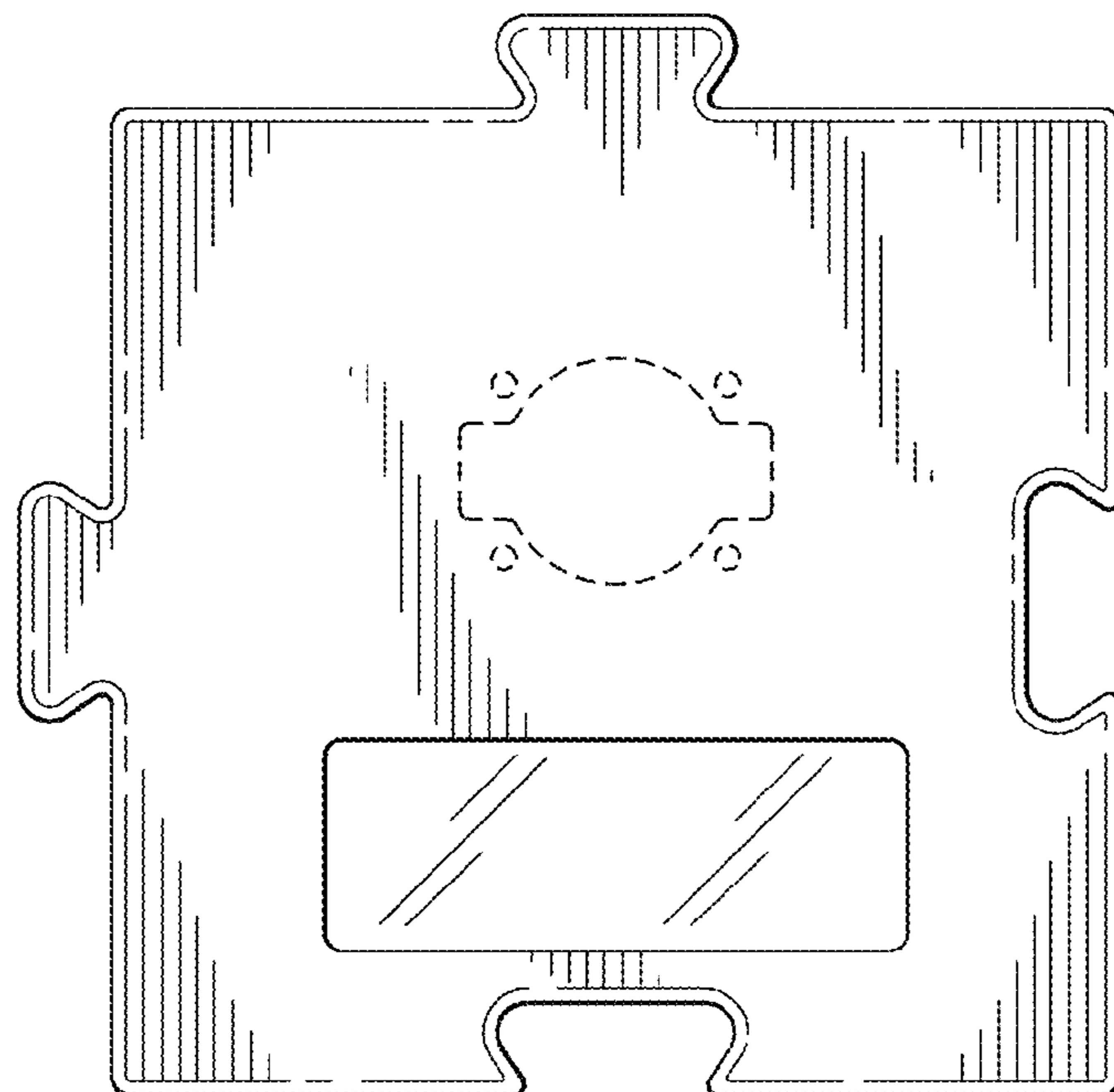


FIG. 3

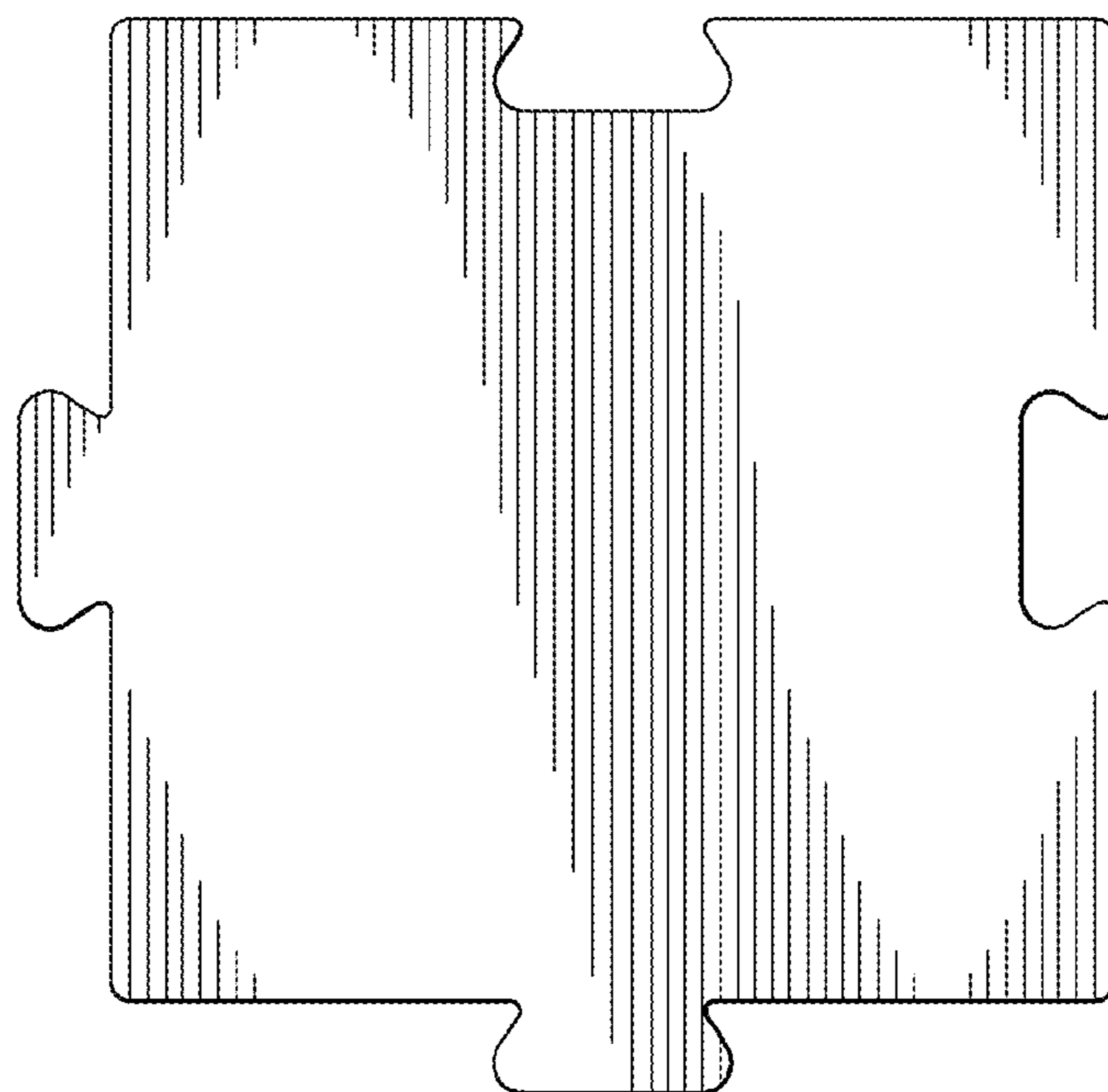


FIG. 4

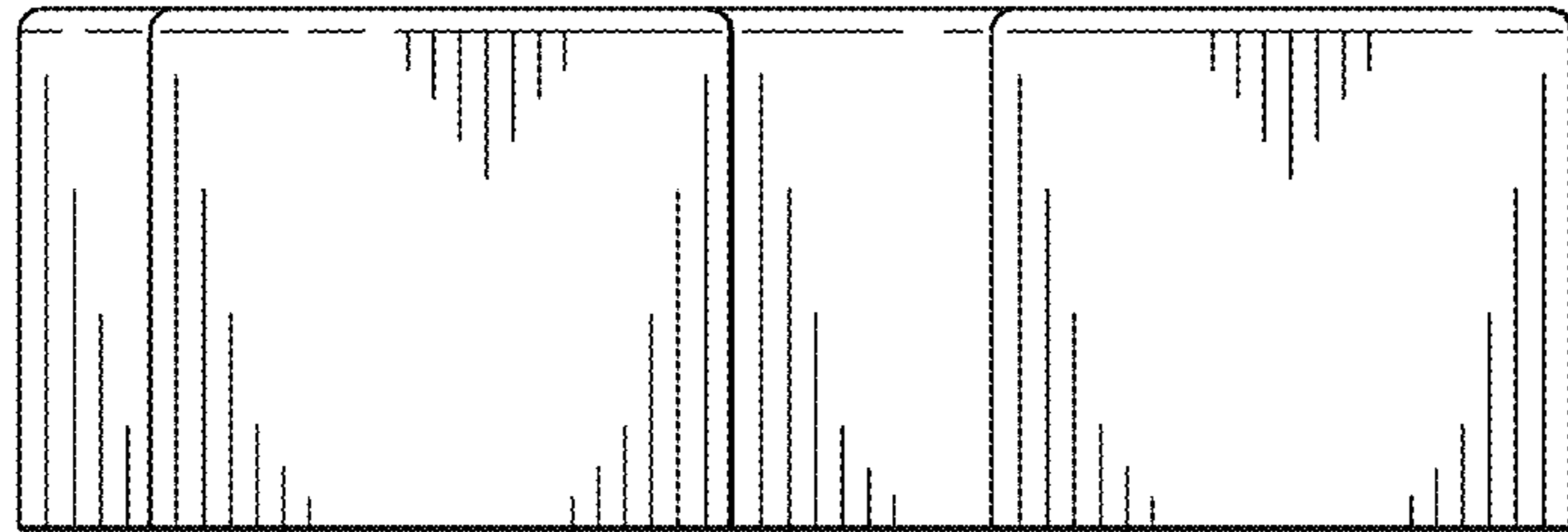


FIG. 5

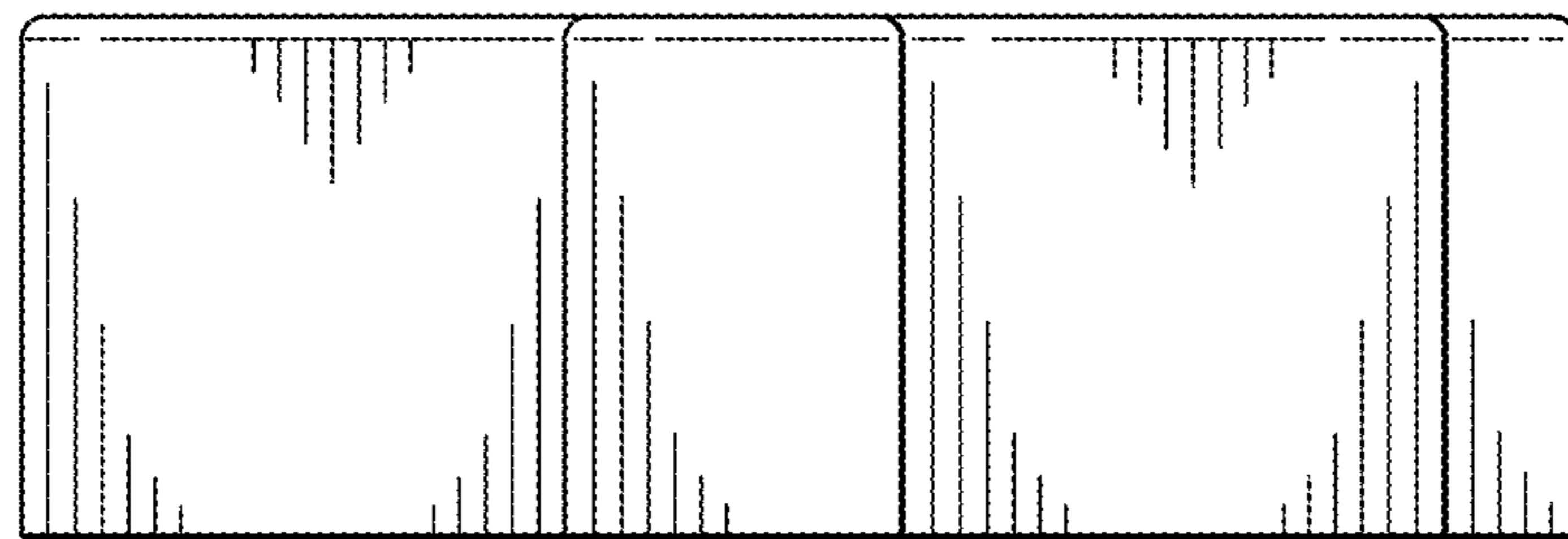


FIG. 6

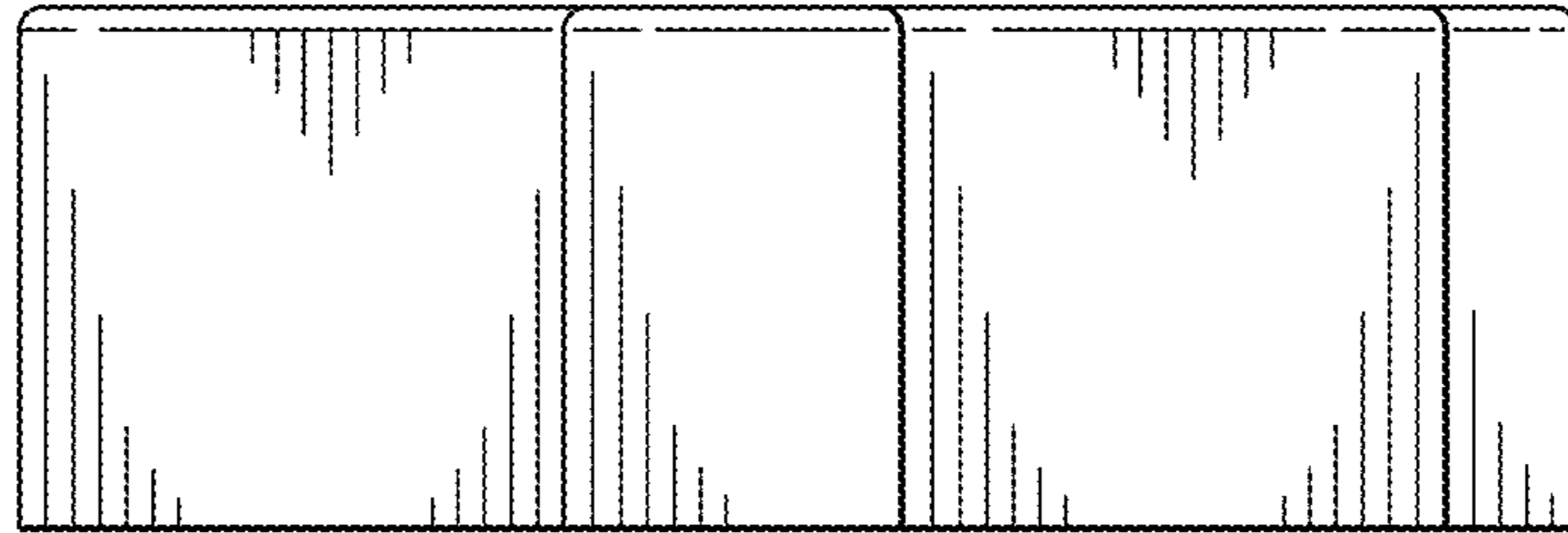


FIG. 7

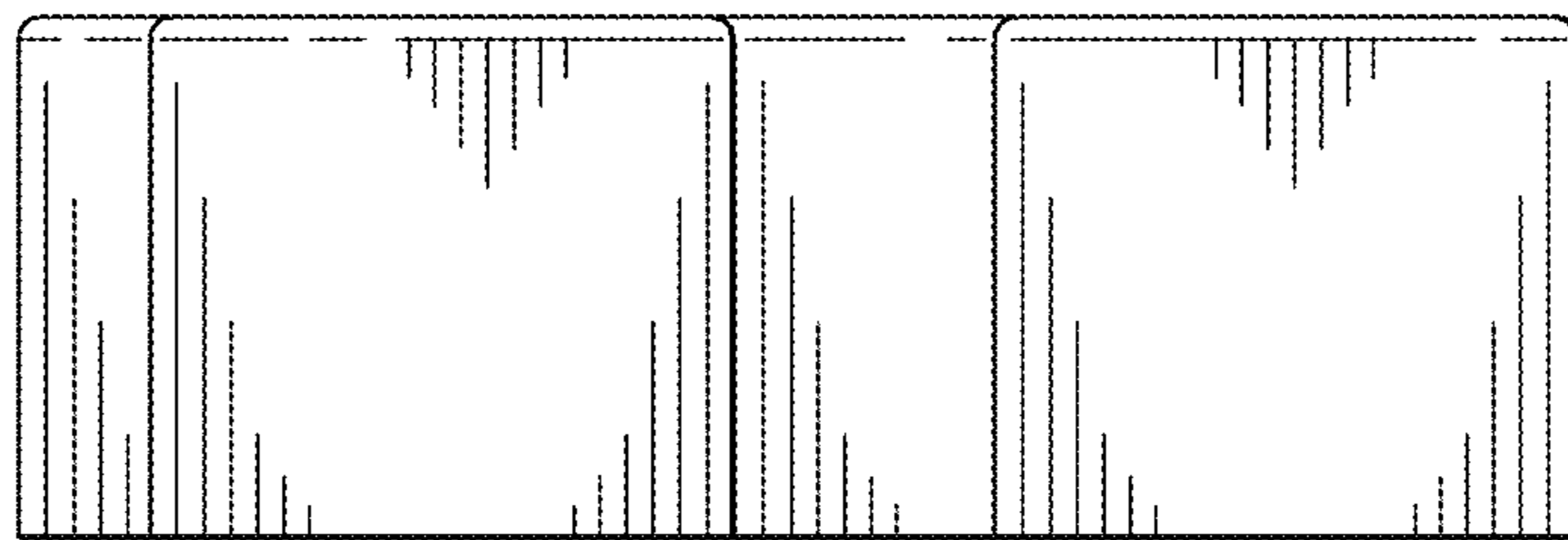


FIG. 8