



US00D718181S

(12) **United States Design Patent**  
**Kothari et al.**

(10) **Patent No.:** **US D718,181 S**  
(45) **Date of Patent:** **\*\* Nov. 25, 2014**

- (54) **GEMSTONE JEWELRY**
- (75) Inventors: **Suhel Rajendra Kothari**, New York, NY (US); **Vishal Dhiren Shah**, New York, NY (US)
- (73) Assignee: **Renaissance Jewelry**, New York, NY (US)
- (\*\*) Term: **14 Years**
- (21) Appl. No.: **29/414,453**
- (22) Filed: **Feb. 28, 2012**
- (51) **LOC (10) Cl.** ..... **11-01**
- (52) **U.S. Cl.**  
USPC ..... **D11/92**
- (58) **Field of Classification Search**  
CPC ..... A44C 17/02; A44C 17/0208; A44C 17/0241; A44C 17/0258; A44C 17/0275; A44C 17/0283; A44C 17/0216; A44C 17/0233; A44C 17/025; A44C 17/0266; A44C 1/00; A44C 7/00; A44C 7/002; A44C 7/003; A44C 7/004; A44C 9/00  
USPC ..... D11/1, 2, 86-91, 34-43, 79, 80, 222, D11/47, 75, 26-33, 56, 92; 63/12, 13, 14, 63/18, 26-28, 29.1, 29.2, 31, 32, 1.11, 30  
See application file for complete search history.

D641,651 S	7/2011	Kothari	
D642,087 S	7/2011	Kothari	
D642,088 S	7/2011	Kothari	
D643,327 S	8/2011	Kothari	
D643,767 S	8/2011	Kothari	
D648,651 S	* 11/2011	Sin	D11/40
D649,084 S	* 11/2011	Roehl et al.	D11/91
D650,307 S	* 12/2011	Roehl et al.	D11/91
D650,308 S	* 12/2011	Roehl et al.	D11/91
D654,394 S	* 2/2012	Kothari	D11/40
D677,599 S	* 3/2013	Dholakiya	D11/34
D680,897 S	* 4/2013	Li	D11/91
D680,898 S	* 4/2013	Dholakiya	D11/40
D684,887 S	* 6/2013	Wein	D11/91
D697,451 S	* 1/2014	Dholakiya	D11/91
D697,831 S	* 1/2014	Dholakiya	D11/91
D699,146 S	* 2/2014	Dholakiya	D11/91

\* cited by examiner

*Primary Examiner* — Susan E Krakower

*Assistant Examiner* — Melanie Pellegrini

(74) *Attorney, Agent, or Firm* — Kelley Drye & Warren LLP

(57) **CLAIM**

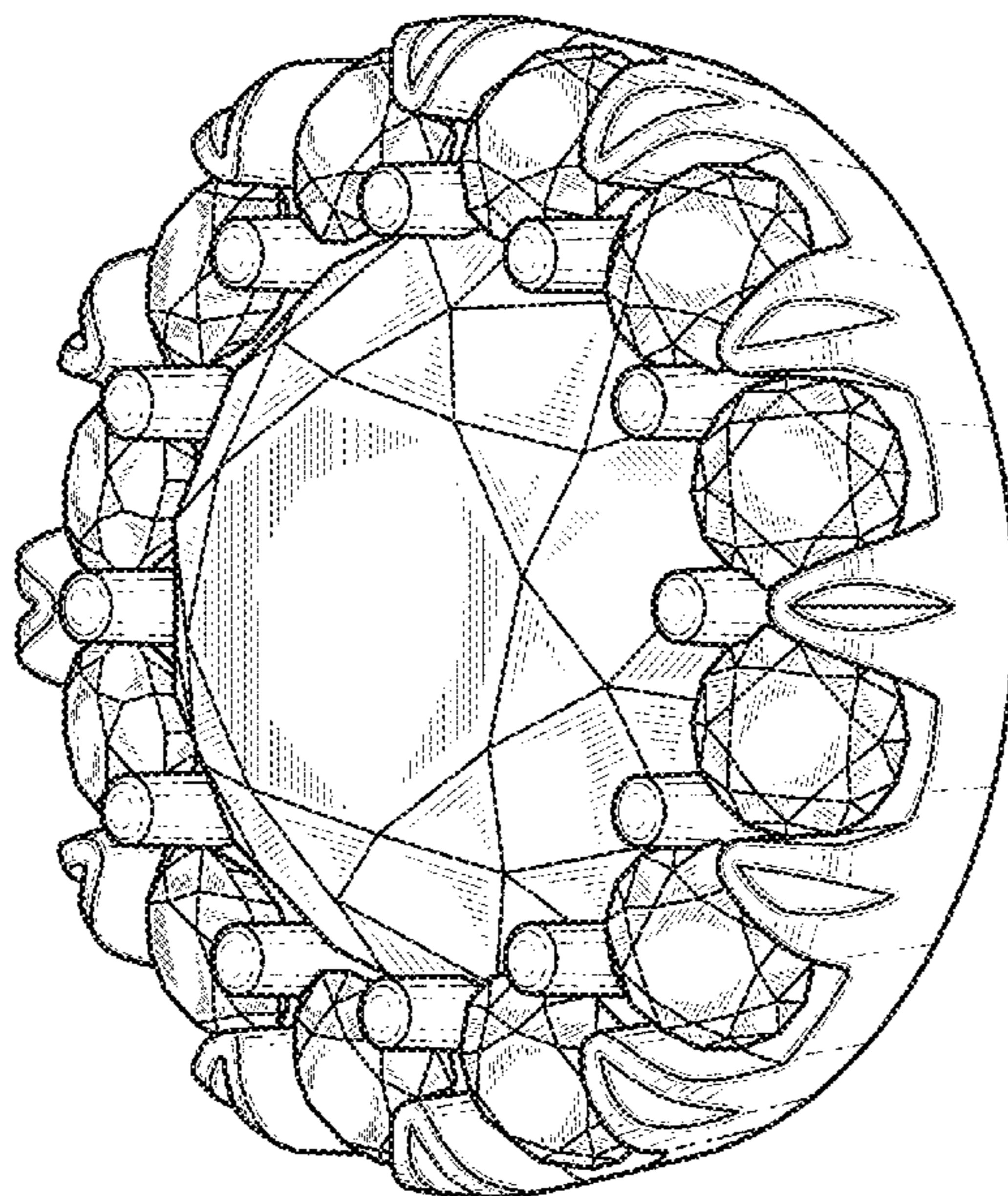
The ornamental design for gemstone jewelry, as shown and described.

**DESCRIPTION**

FIG. 1 depicts a front perspective view of our design for gemstone jewelry;  
 FIG. 2 depicts a front elevation view thereof;  
 FIG. 3 depicts a rear elevation view thereof;  
 FIG. 4 depicts a side elevation view thereof; and,  
 FIG. 5 depicts a top plan view thereof.  
 The broken lines shown in the drawings illustrate portions of the gemstone jewelry and form no part of the claimed design.

**1 Claim, 4 Drawing Sheets**

- (56) **References Cited**  
U.S. PATENT DOCUMENTS
- |              |           |             |        |
|--------------|-----------|-------------|--------|
| D485,509 S   | 1/2004    | Shagalov    |        |
| D508,867 S   | 8/2005    | Shum        |        |
| D553,543 S   | * 10/2007 | Kothari     | D11/92 |
| D618,132 S   | 6/2010    | Wong et al. |        |
| 7,762,104 B2 | * 7/2010  | Lin         | 63/28  |



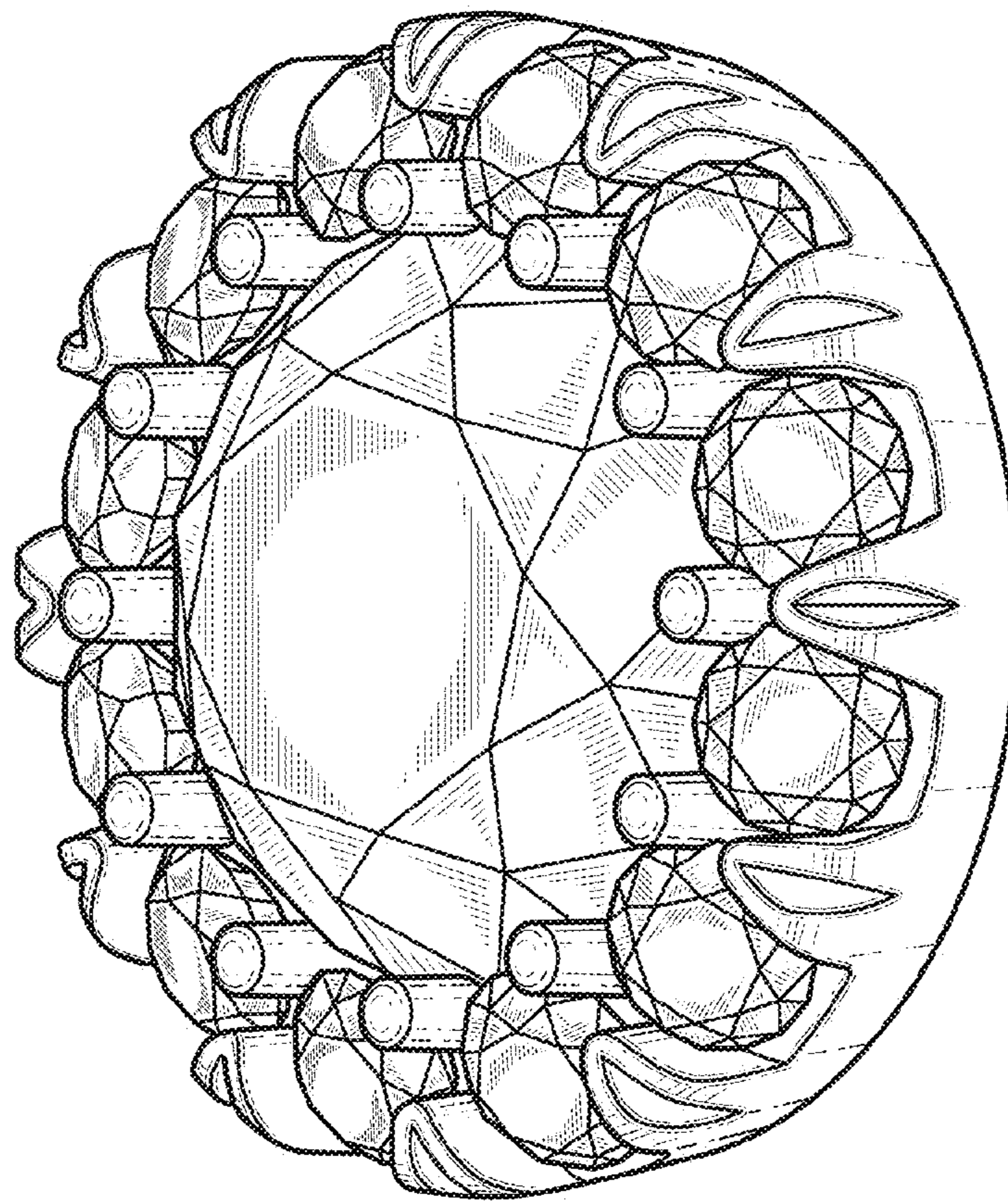


FIG. 1



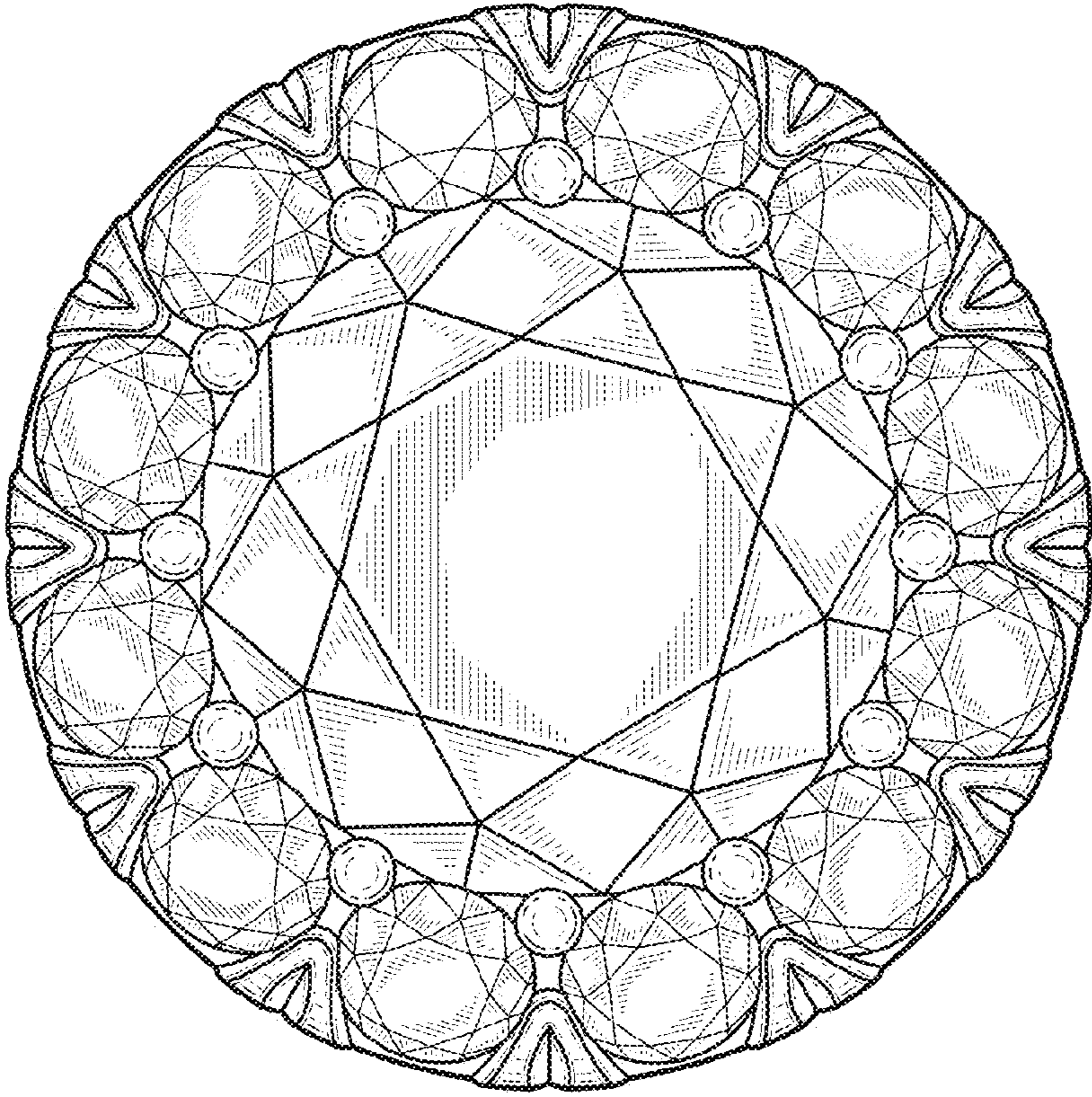


FIG. 2

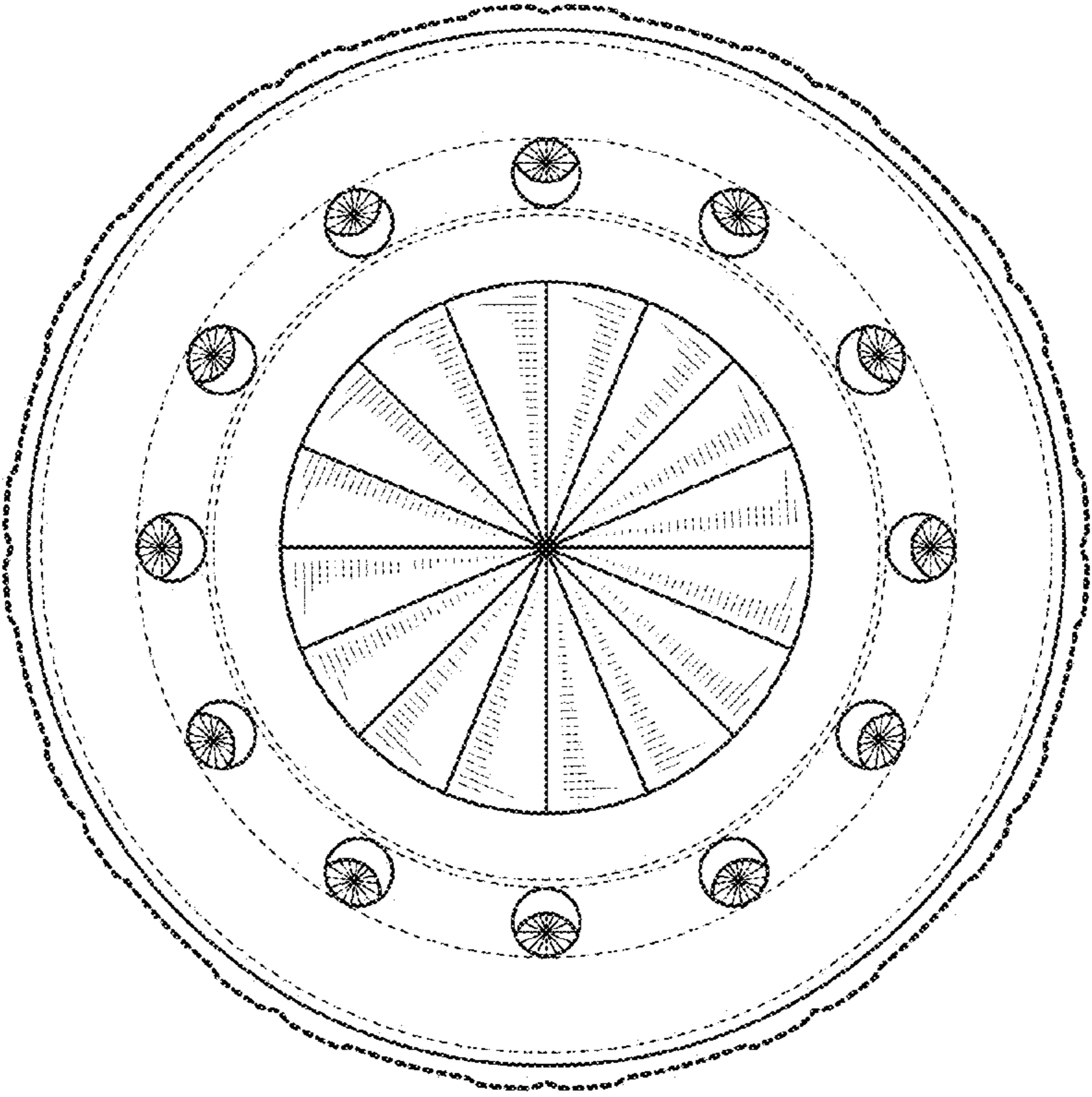


FIG. 3

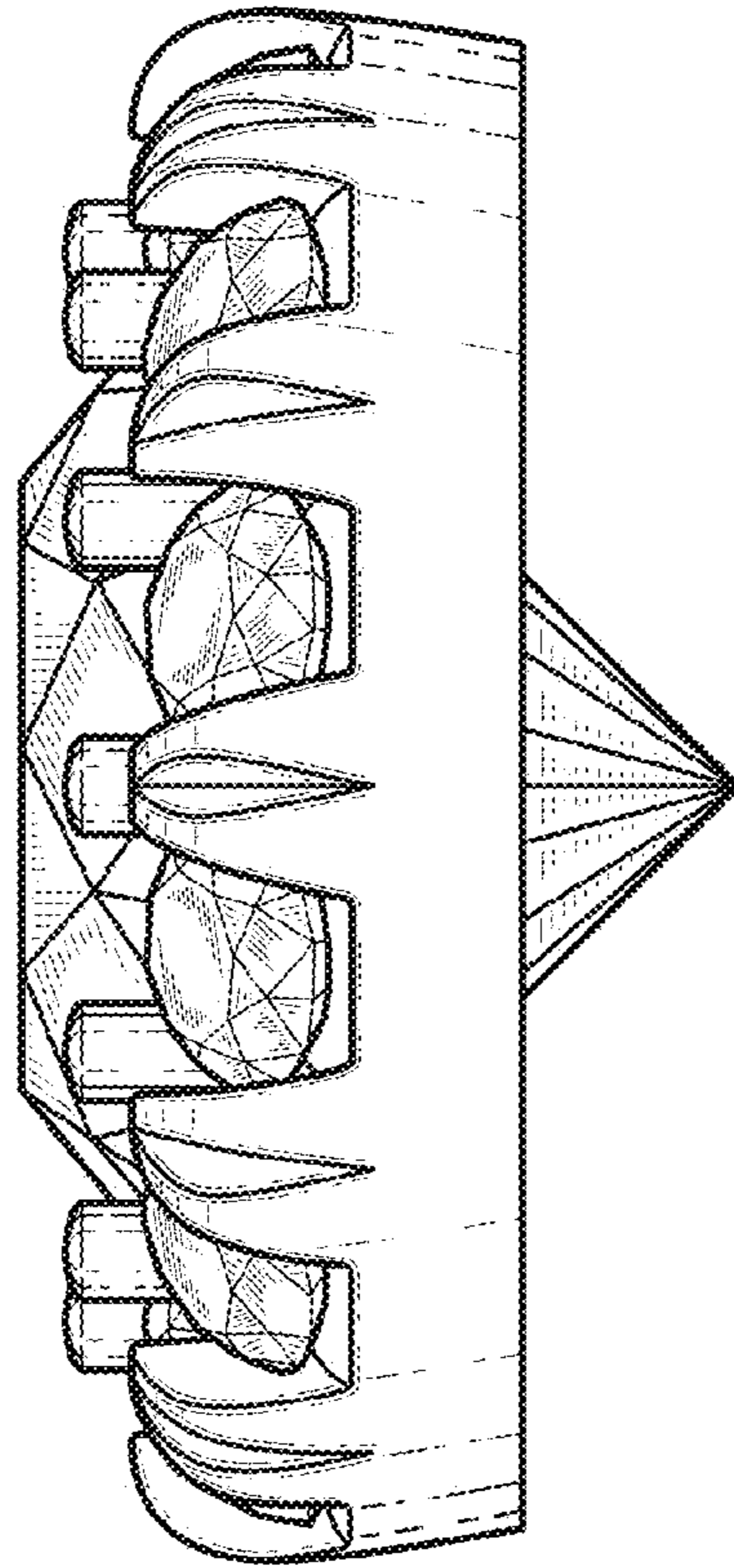


FIG. 4

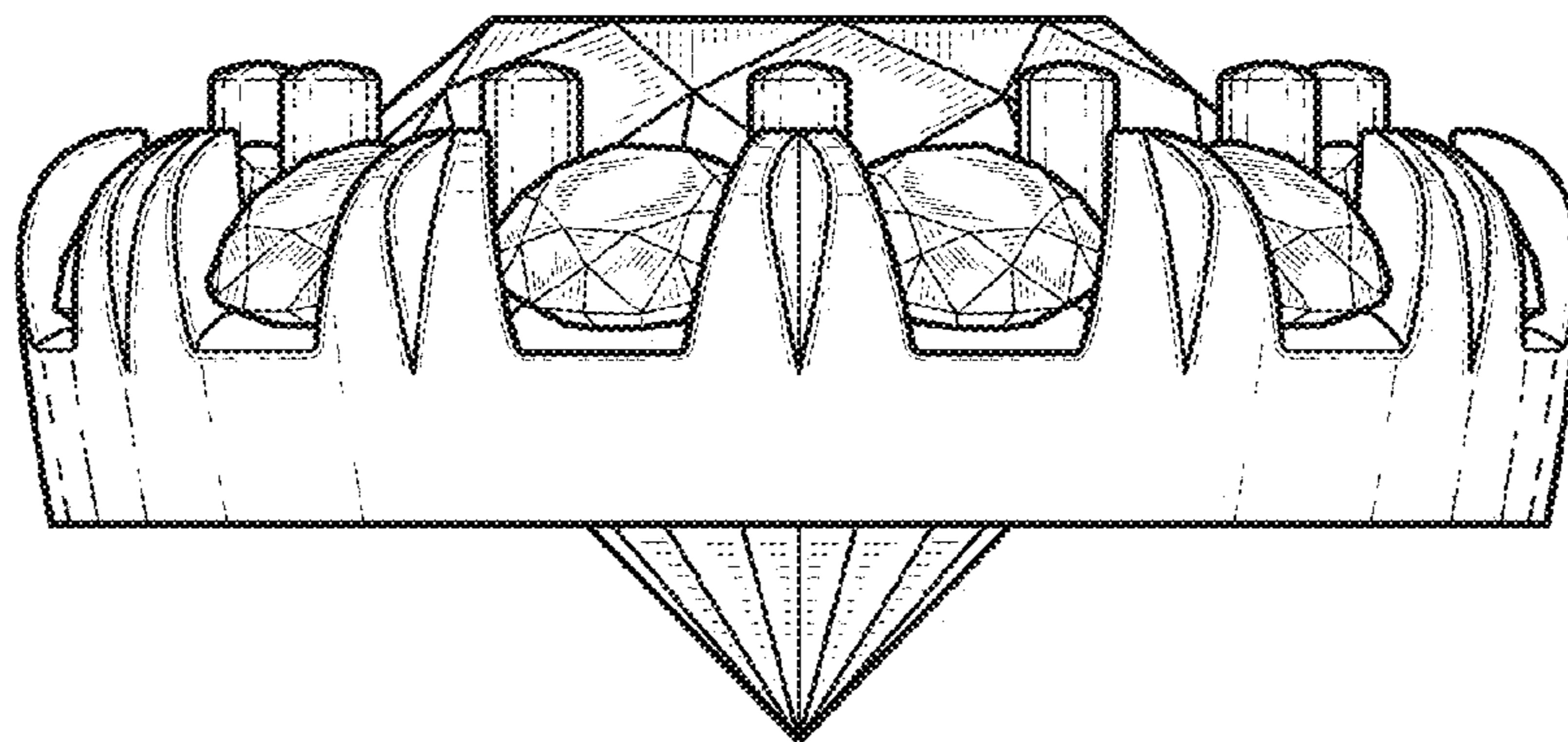


FIG. 5