



US00D718173S

(12) **United States Design Patent**  
**Sandberg**

(10) **Patent No.:** **US D718,173 S**

(45) **Date of Patent:** **\*\* Nov. 25, 2014**

(54) **QUILTED BAND**

(71) Applicant: **Samuel Sandberg**, New York, NY (US)

(72) Inventor: **Samuel Sandberg**, New York, NY (US)

(73) Assignee: **Firestar Diamond, Inc.**, New York, NY (US)

(\*\*) Term: **14 Years**

(21) Appl. No.: **29/488,503**

(22) Filed: **Apr. 21, 2014**

(51) **LOC (10) Cl.** ..... **11-01**

(52) **U.S. Cl.**  
USPC ..... **D11/26; D11/86**

(58) **Field of Classification Search**  
USPC ..... D11/1, 2, 40, 41, 42, 43, 79, 80, 81, 91,  
D11/92, 93, 26-39; 63/12, 13, 14, 18,  
63/26-28, 29.1, 29.2, 31, 32, 1.11, 15,  
63/15.1-15.4, 15.45, 15.5, 15.6, 15.65,  
63/15.7

See application file for complete search history.

(56) **References Cited**

**U.S. PATENT DOCUMENTS**

5,792,175	A *	8/1998	Yoo	606/204
D522,902	S *	6/2006	Kaplan	D11/26
7,350,377	B2 *	4/2008	Kaplan	63/15
7,430,879	B2 *	10/2008	Czajka et al.	63/15.6
D656,615	S *	3/2012	Tzeng	D24/164
8,677,624	B2 *	3/2014	Mardkha	29/896.412
2007/0137250	A1 *	6/2007	Kohl	63/15.6
2011/0289966	A1 *	12/2011	Ahrenholtz et al.	63/15.6

**OTHER PUBLICATIONS**

[Online] <http://media-cache-ec0.pinimg.com/736x/a3/57/e8/a357e8dac031bd13e884e6d020797965.jpg>. Retrieved Sep. 24, 2014.\*

[Online] <http://media-cache-ak0.pinimg.com/736x/70/fd/46/70fd46aca935da1b3b90554387580e60.jpg>. Retrieved Sep. 24, 2014.\*

[Online] <http://www.fortrove.com/media/catalog/product/cache/1/image/9df78eab33525d08d6e5fb8d27136e95/4/5/4564nle.jpg>. Retrieved Sep. 24, 2014.\*

\* cited by examiner

*Primary Examiner* — Garth Rademaker

*Assistant Examiner* — Melanie Pellegrini

(74) *Attorney, Agent, or Firm* — Andrew F. Young, Esq.;  
Lackenbach Siegel, LLP

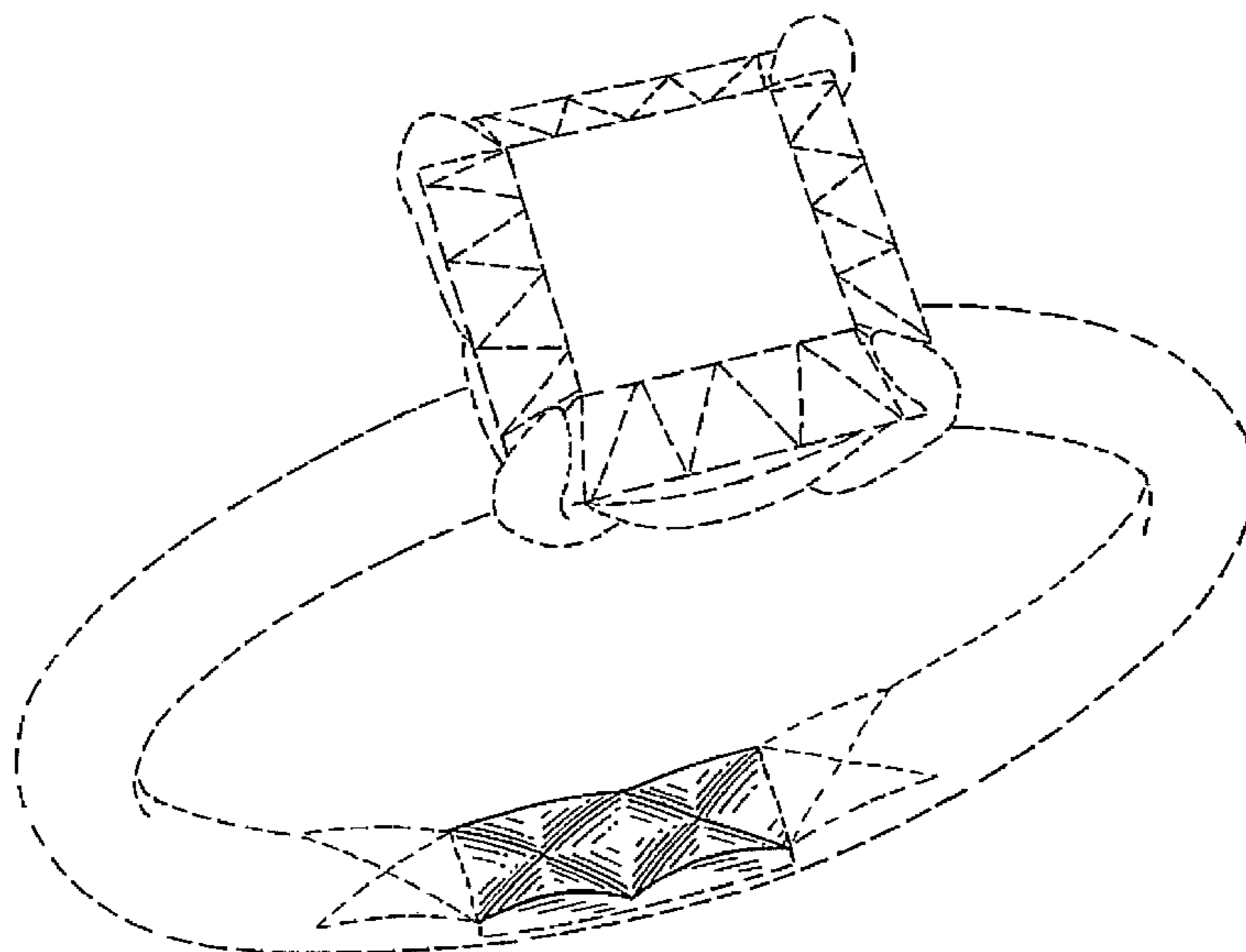
(57) **CLAIM**

The ornamental design for a quilted band, as shown and described.

**DESCRIPTION**

FIG. 1 is a front perspective view of the present invention. FIG. 2 is a top plan view of FIG. 1. FIG. 3 is a front elevation view of FIG. 1, noting the side view of the claimed region. FIG. 4 is a left side elevation view of FIG. 1. FIG. 5 is a right side elevation view of FIG. 1. FIG. 6 is a rear elevation view of FIG. 1. FIG. 7 is a bottom plan view of FIG. 1; and, FIG. 8 is a top plan sectional view along section 8-8 in FIG. 3, noting the quilted band portion from a top plan view. The broken lines shown immediately adjacent to the solid line portions of the drawings illustrate the boundaries of the claim and do not form a part of the claimed design. Other broken lines in the drawings illustrate portions of the quilted band that form no part of the claimed design and a gemstone and setting that are environmental and form no part of the claimed design.

**1 Claim, 4 Drawing Sheets**



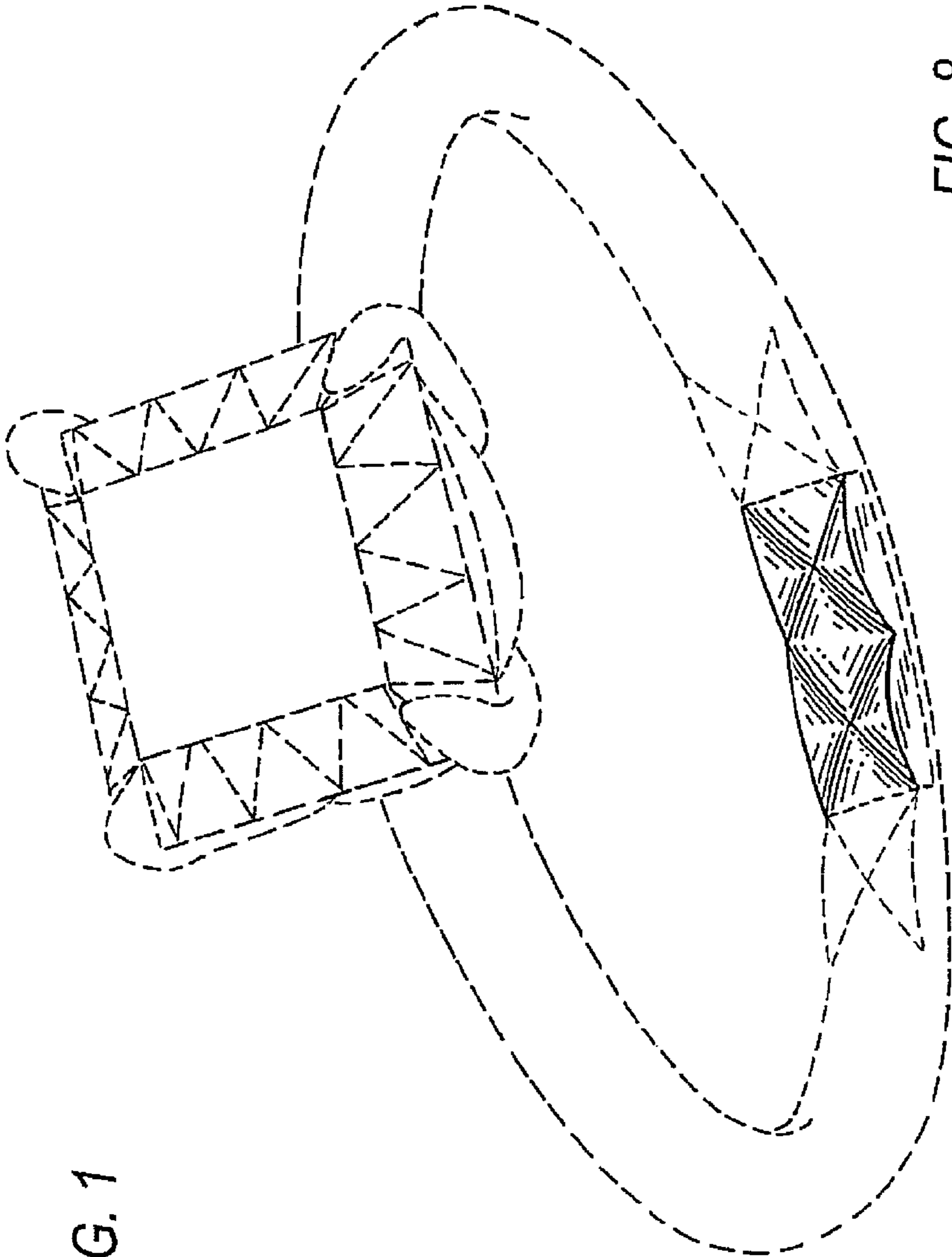


FIG. 1

FIG. 8

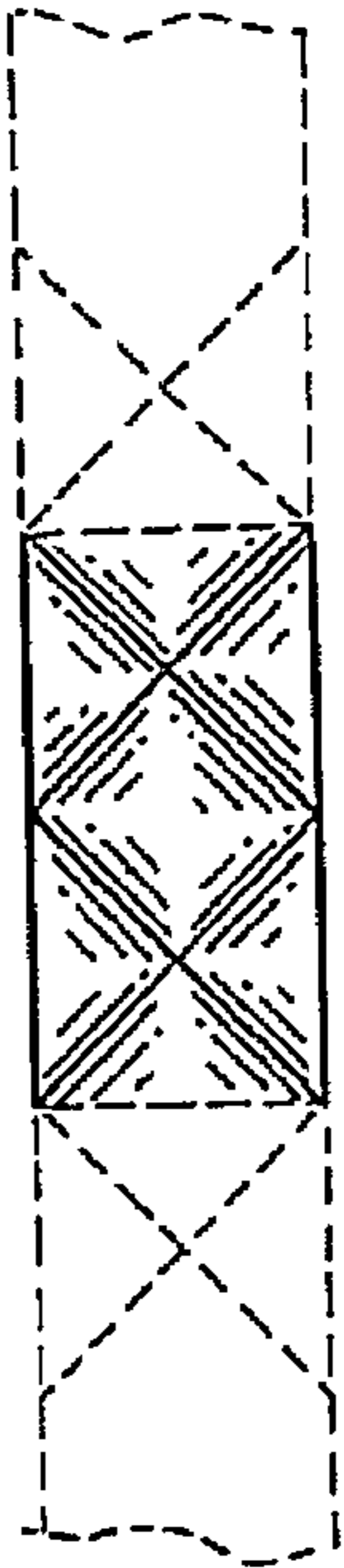


FIG. 2

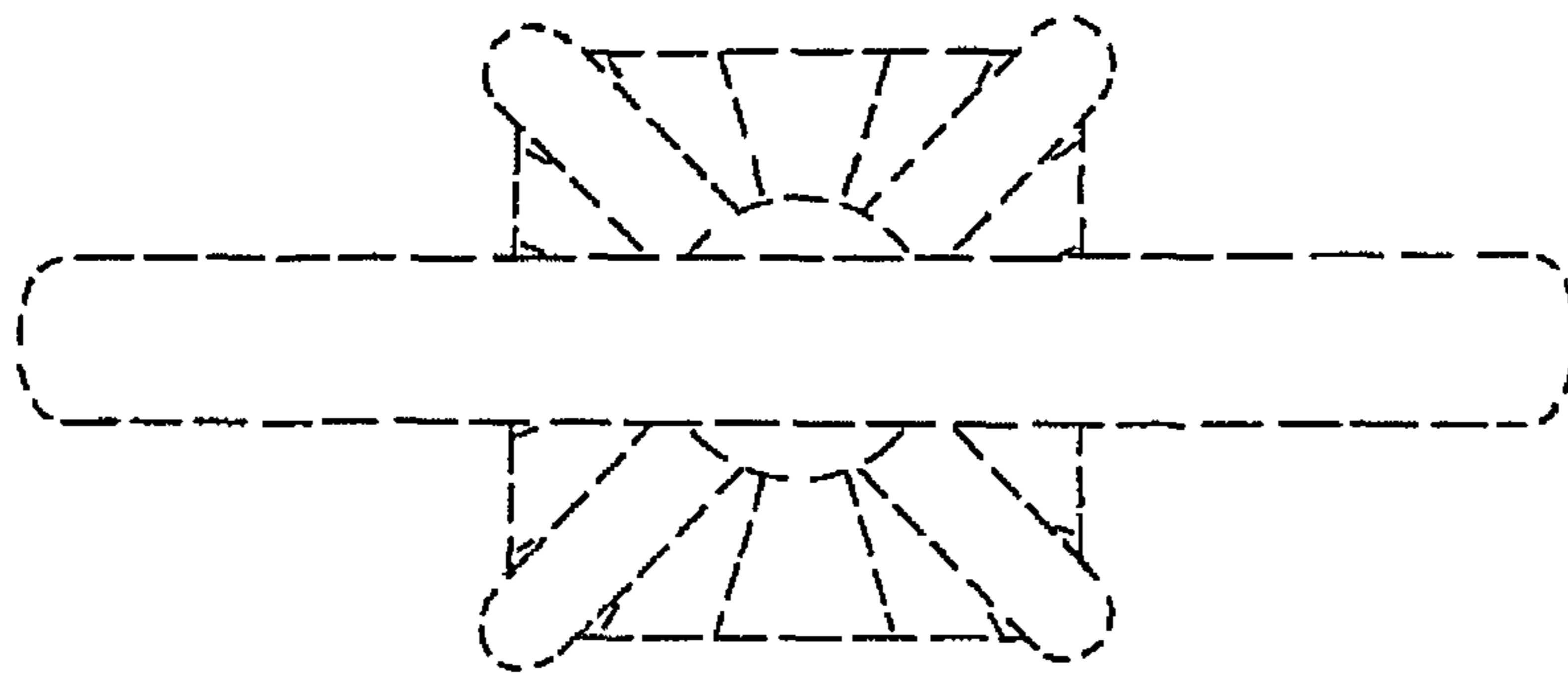
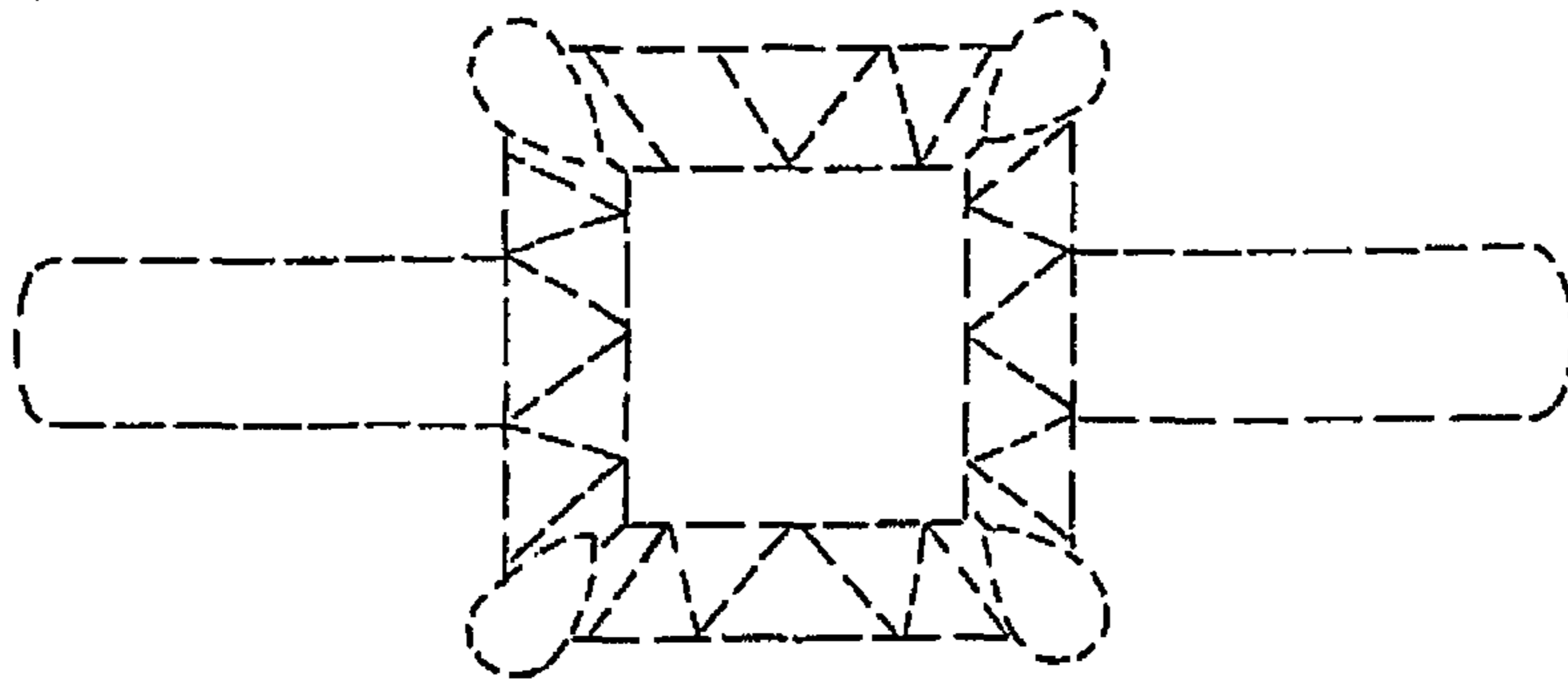


FIG. 7

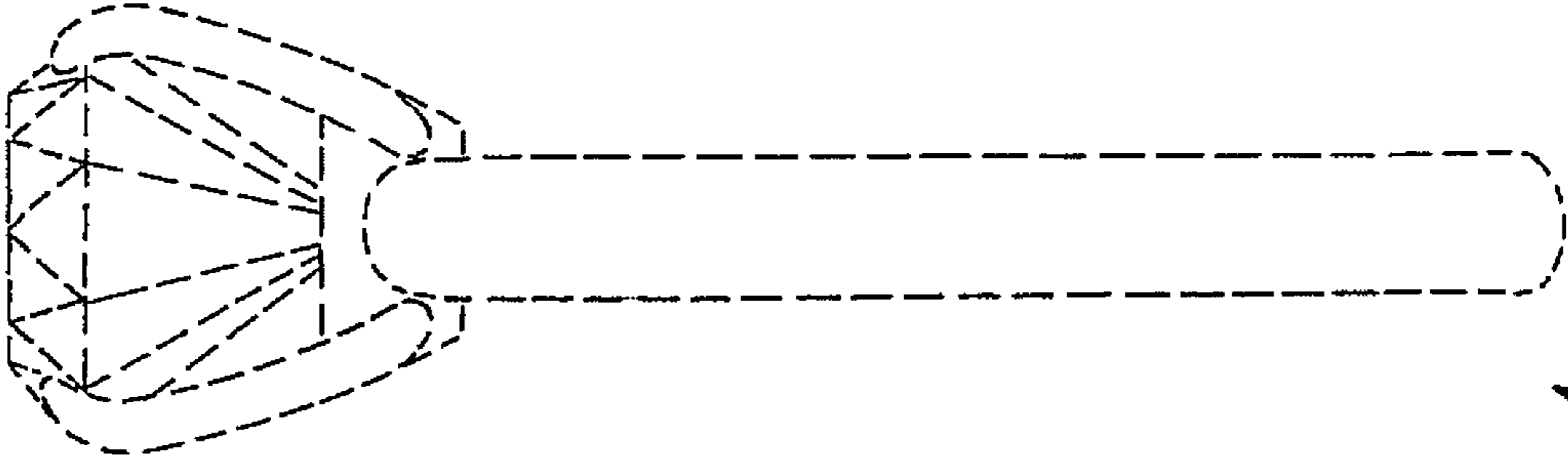


FIG. 4

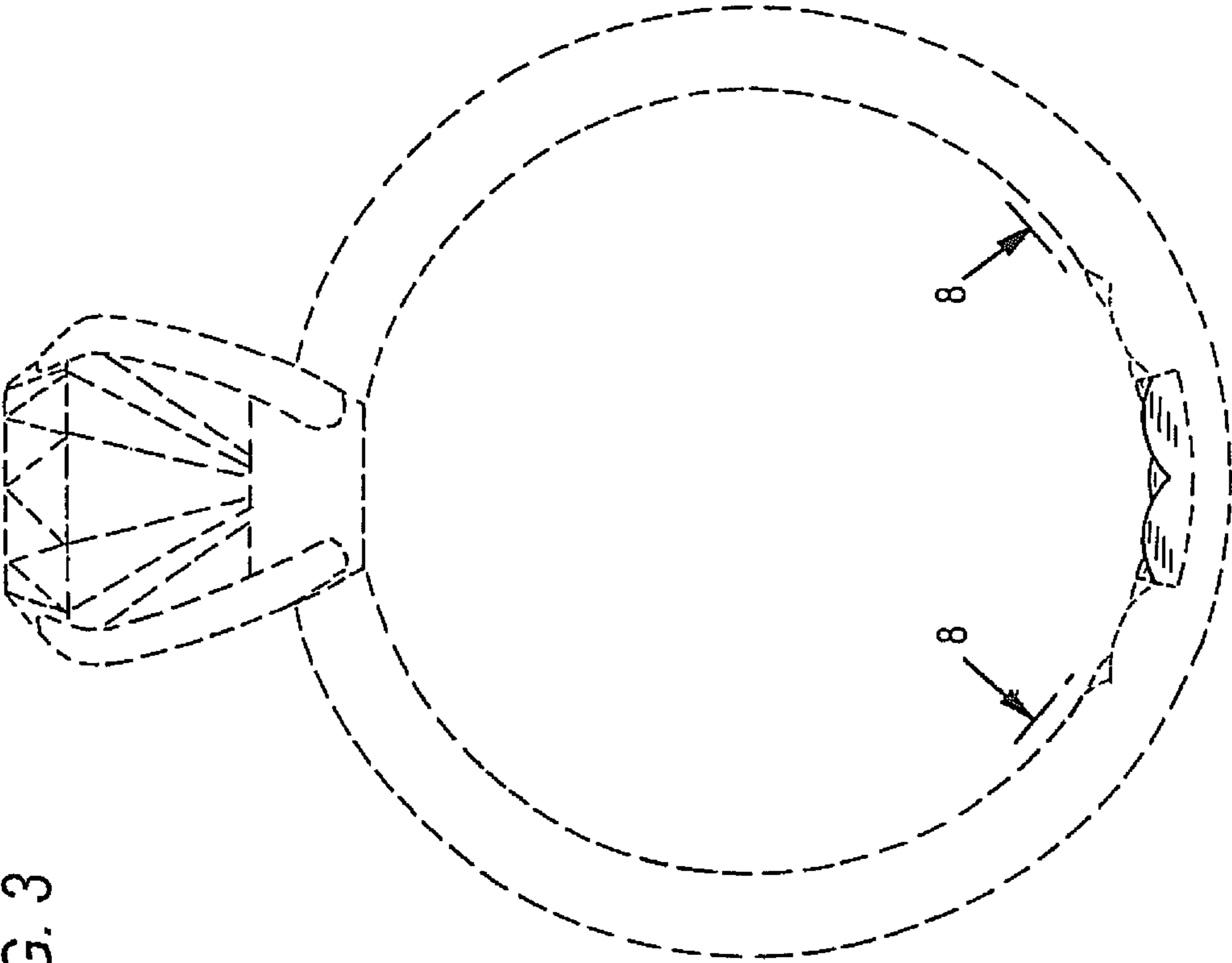


FIG. 3

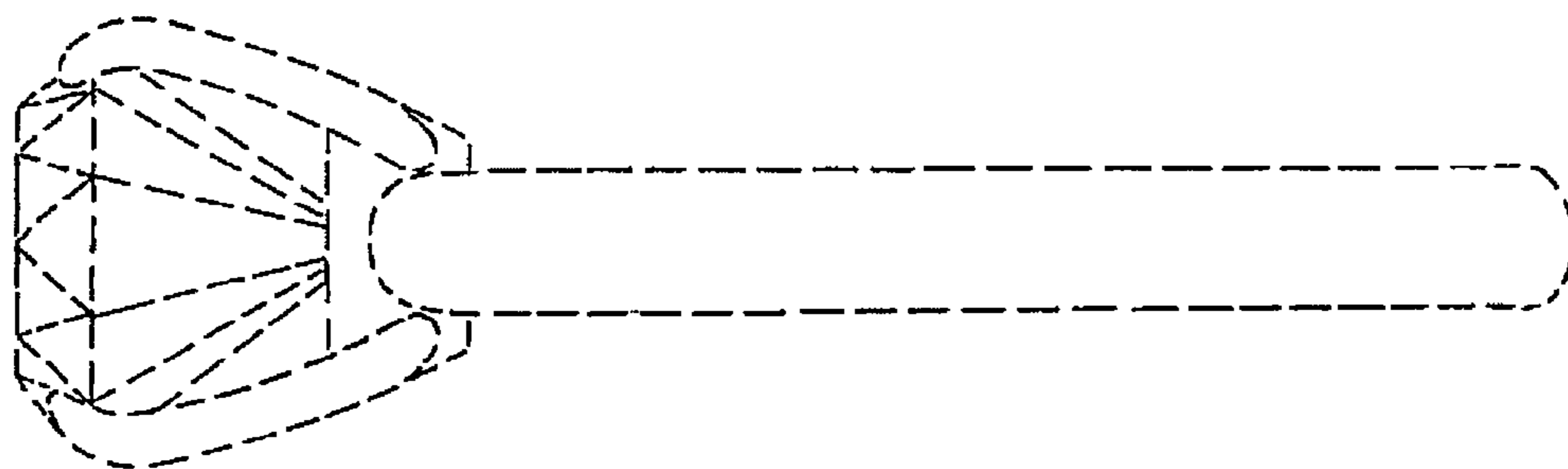


FIG. 5

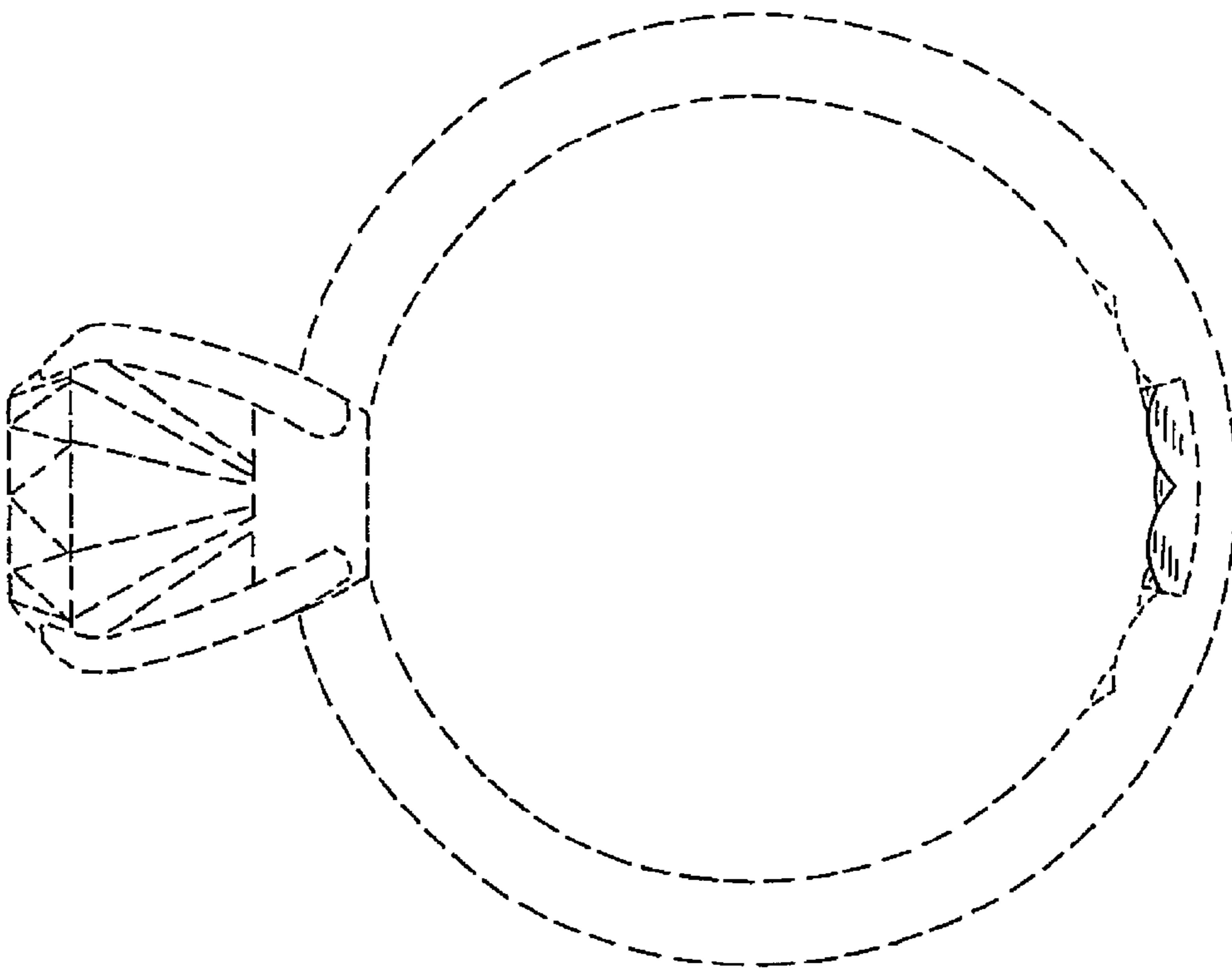


FIG. 6