



US00D718172S

(12) **United States Design Patent**  
**Makover**

(10) **Patent No.:** **US D718,172 S**

(45) **Date of Patent:** **\*\* Nov. 25, 2014**

(54) **INTERCHANGEABLE ORNAMENTS RING**

(71) Applicant: **Omer Makover**, Kibbutz Messilot (IL)

(72) Inventor: **Omer Makover**, Kibbutz Messilot (IL)

(\*\*) Term: **14 Years**

(21) Appl. No.: **29/469,322**

(22) Filed: **Oct. 9, 2013**

(51) **LOC (10) Cl.** ..... **11-01**

(52) **U.S. Cl.**  
USPC ..... **D11/26**

(58) **Field of Classification Search**

USPC ..... D11/1, 2, 3, 4, 5, 6, 7, 8, 9, 10, 11, 12,  
D11/13, 14, 15, 16, 26-39, 79, 91, 92;  
63/1.11, 3, 3.1, 3.2, 4, 5.1, 15.1-15.4,  
63/15.45, 15.5, 15.6, 15.65, 15.7, 26-28,  
63/40, 41, 29.1

See application file for complete search history.

(56) **References Cited**

**U.S. PATENT DOCUMENTS**

2,029,464 A \* 2/1936 Coleman ..... 63/15.3  
3,790,922 A \* 2/1974 Normann ..... 439/544  
5,558,247 A \* 9/1996 Caso ..... 220/735  
D387,001 S \* 12/1997 Perrin et al. .... D11/35  
D393,225 S \* 4/1998 Morrison ..... D11/26  
6,574,989 B1 \* 6/2003 Lampert ..... 63/15  
D511,986 S \* 11/2005 Aghjayan et al. .... D11/26  
7,322,212 B2 \* 1/2008 Golove et al. .... 63/15  
D623,056 S \* 9/2010 Sessa ..... D11/26

**OTHER PUBLICATIONS**

[Online] [https://img1.etsystatic.com/000/0/5257385/i1\\_fullxfull.86808681.jpg](https://img1.etsystatic.com/000/0/5257385/i1_fullxfull.86808681.jpg). Retrieved Jul. 8, 2014.\*

[Online] <http://www.inoxjewellery.com.au/admincms/images/productCollection/inox2.jpg>. Retrieved Jul. 8, 2014.\*

\* cited by examiner

*Primary Examiner* — Cathron Brooks

*Assistant Examiner* — Melanie Pellegrini

(74) *Attorney, Agent, or Firm* — Blue Filament Law PLLC;  
Avery N. Goldstein

(57) **CLAIM**

I claim, the ornamental design for an interchangeable ornaments ring, as shown and described.

**DESCRIPTION**

FIG. 1 is a top perspective view of an interchangeable ornaments ring showing my new design;

FIG. 2 is a top plan view thereof;

FIG. 3 is a bottom plan view thereof;

FIG. 4 is a side elevational view thereof;

FIG. 5 is a front elevational view thereof;

FIG. 6 is a top perspective view shown in an environment;

FIG. 7 is a top perspective view shown in an alternate environment;

FIG. 8 is a top perspective view shown in an alternate environment;

FIG. 9 is a top perspective view shown in an alternate environment;

FIG. 10 is a top perspective view shown in an alternate environment;

FIG. 11 is a top perspective view shown in an alternate environment;

FIG. 12 is a top perspective view shown in an alternate environment;

FIG. 13 is a top perspective view shown in an alternate environment;

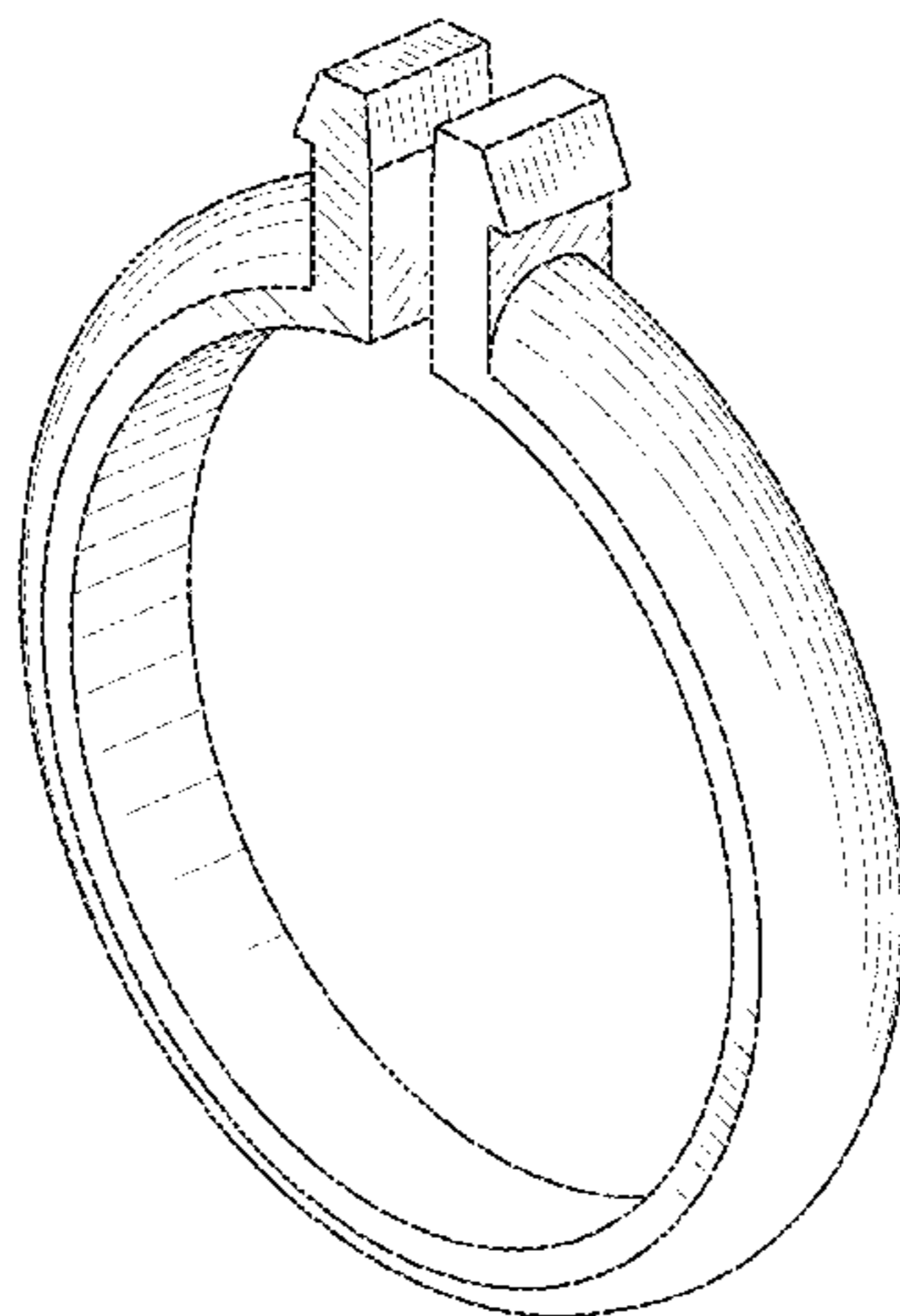
FIG. 14 is a top perspective view shown in an alternate environment; and,

FIG. 15 is a top perspective view shown in an alternate environment.

The broken lines shown in FIGS. 6-15 show environmental structure and form no part of the claimed design.

The surface shading lines indicate the contours of the surfaces.

**1 Claim, 7 Drawing Sheets**



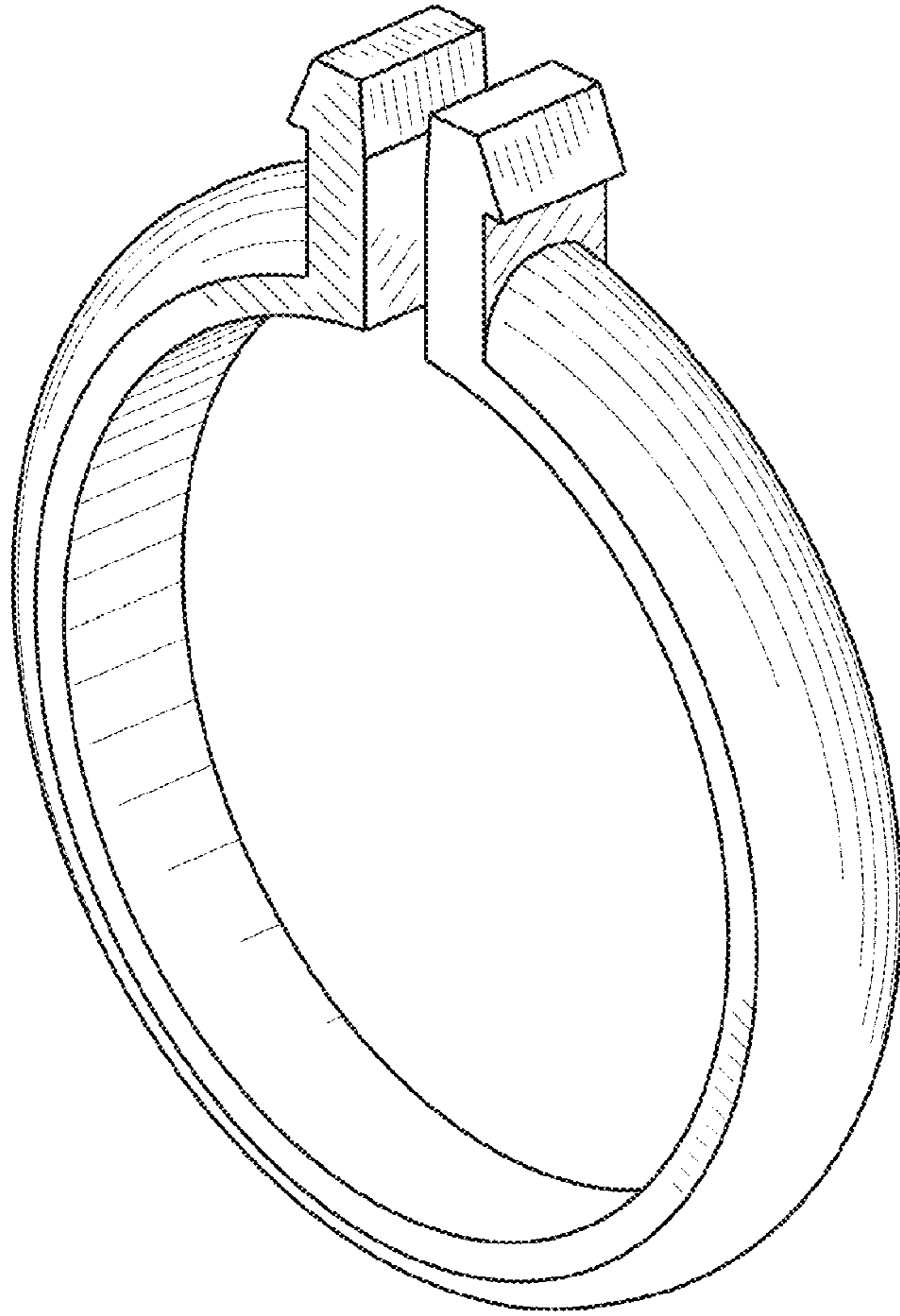


FIGURE 1

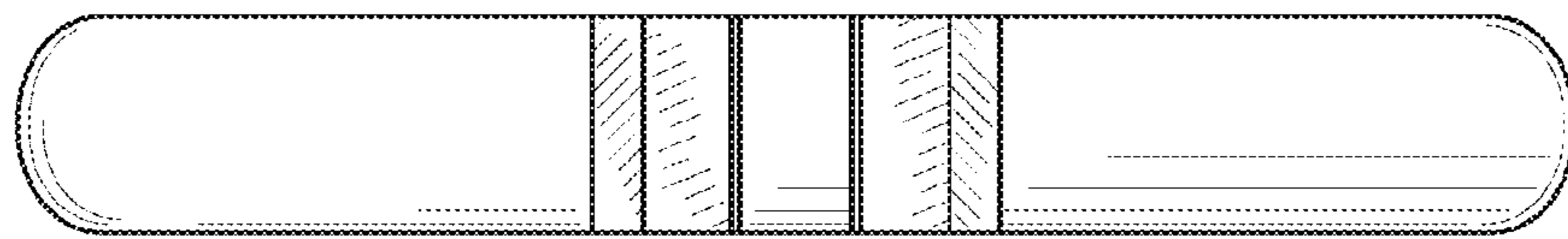


FIGURE 2

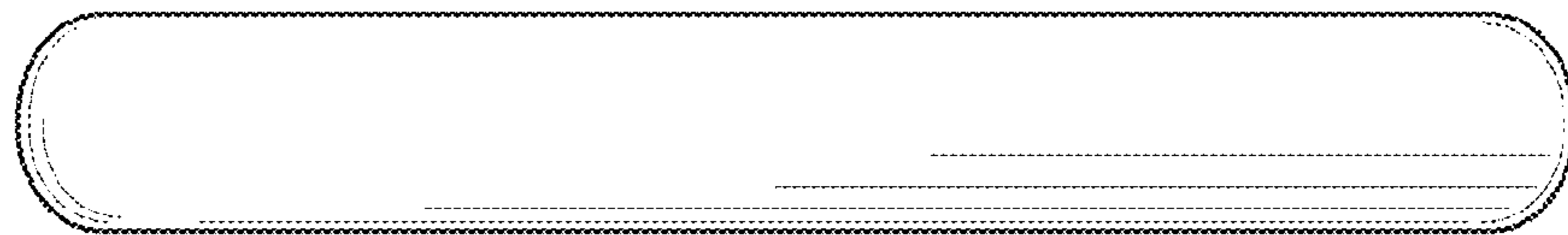


FIGURE 3

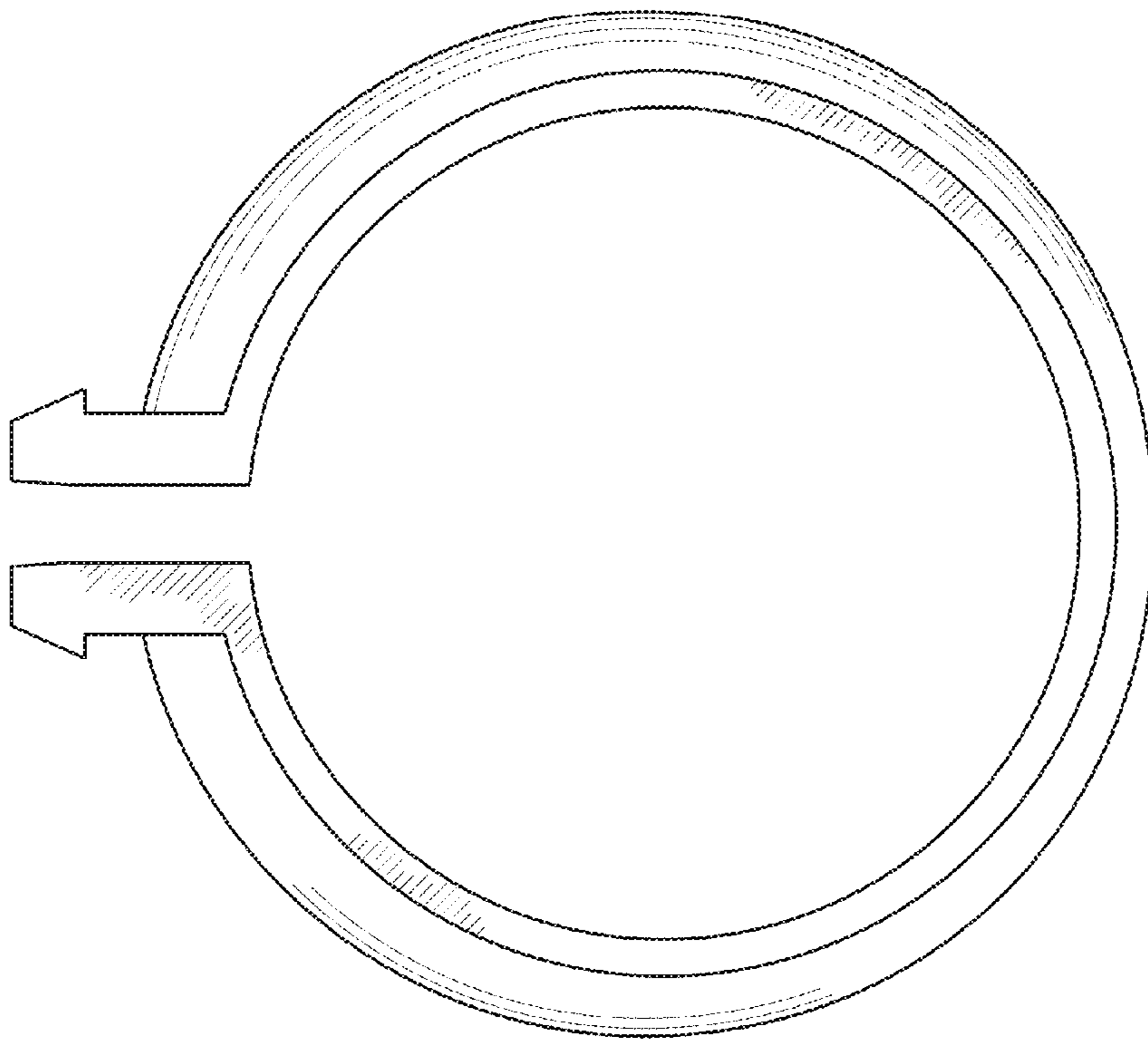


FIGURE 5

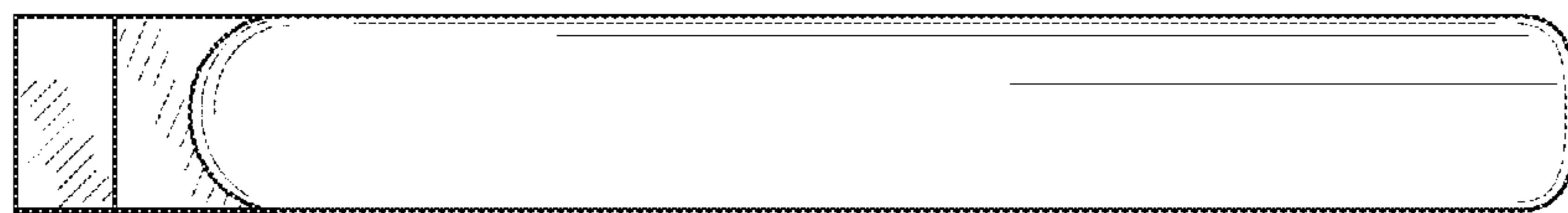


FIGURE 4

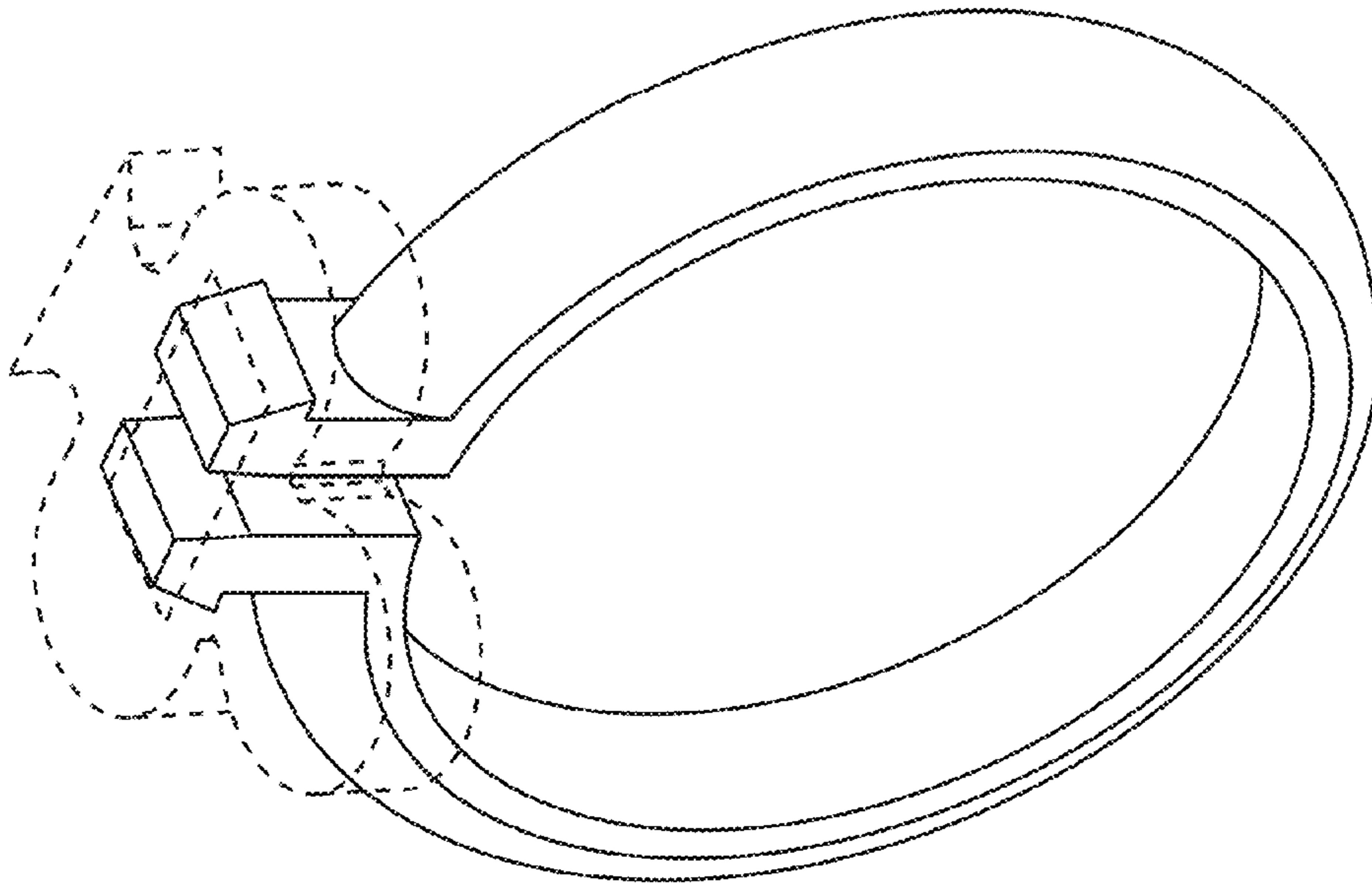


FIGURE 7

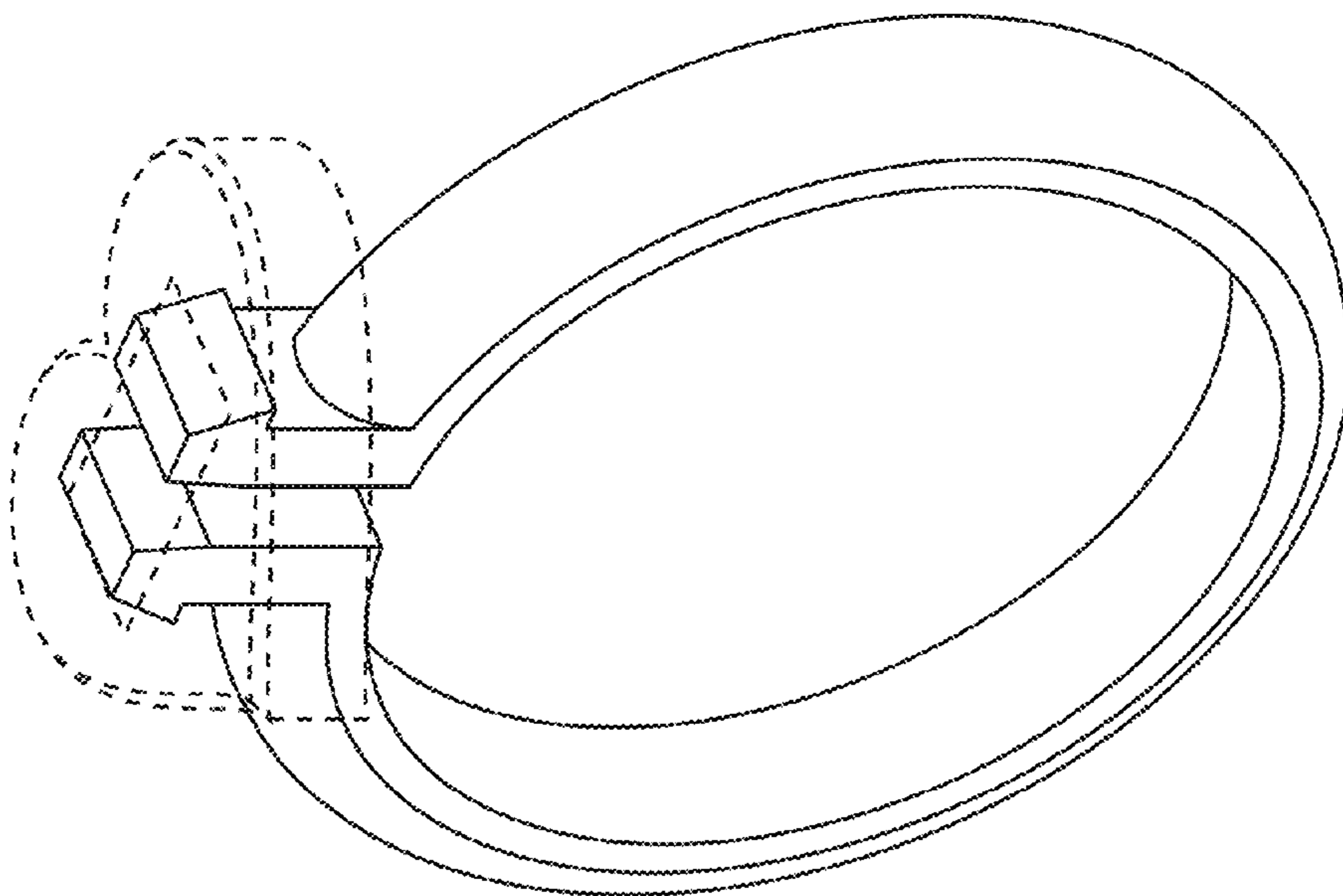


FIGURE 6



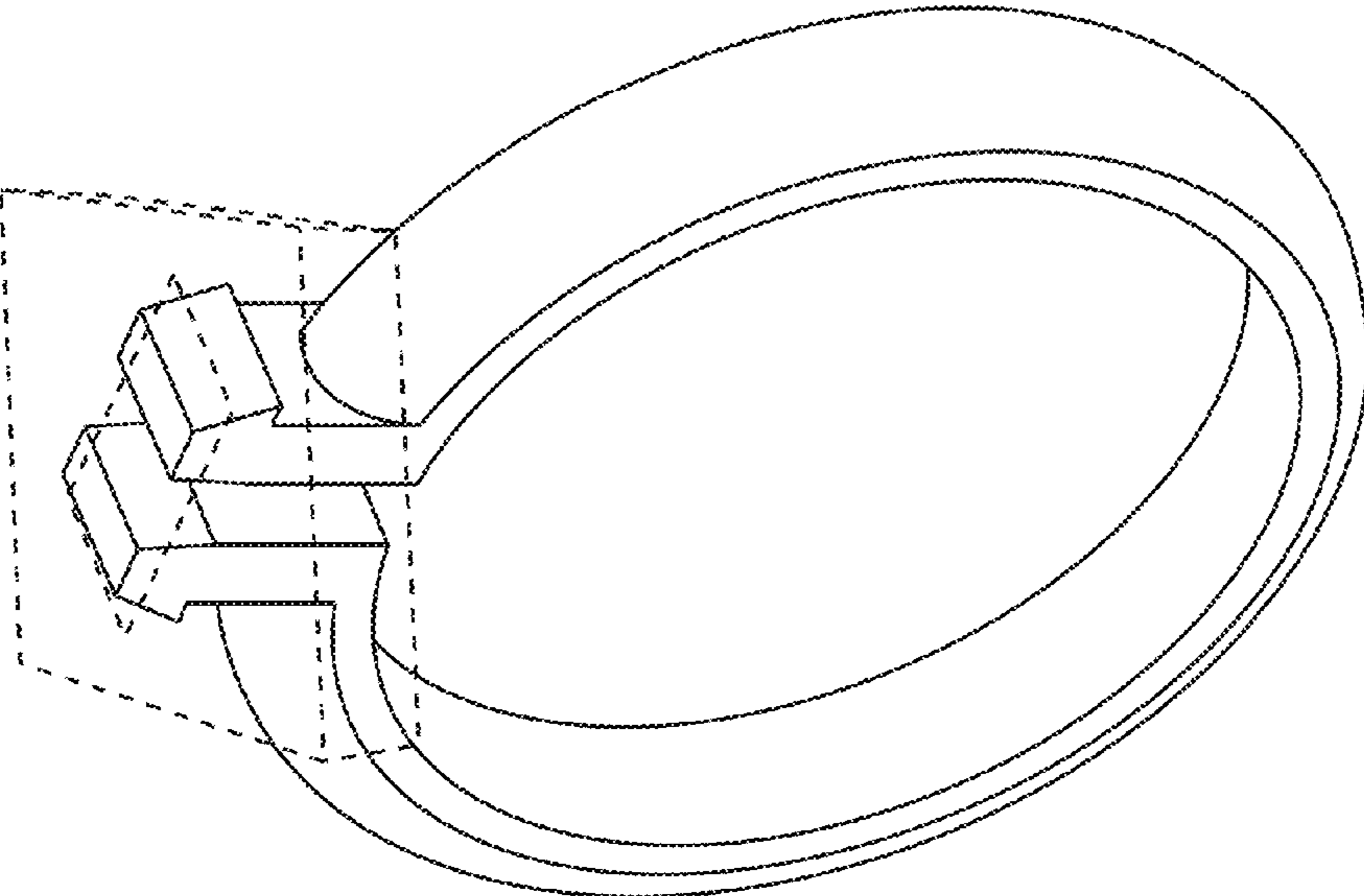


FIGURE 9

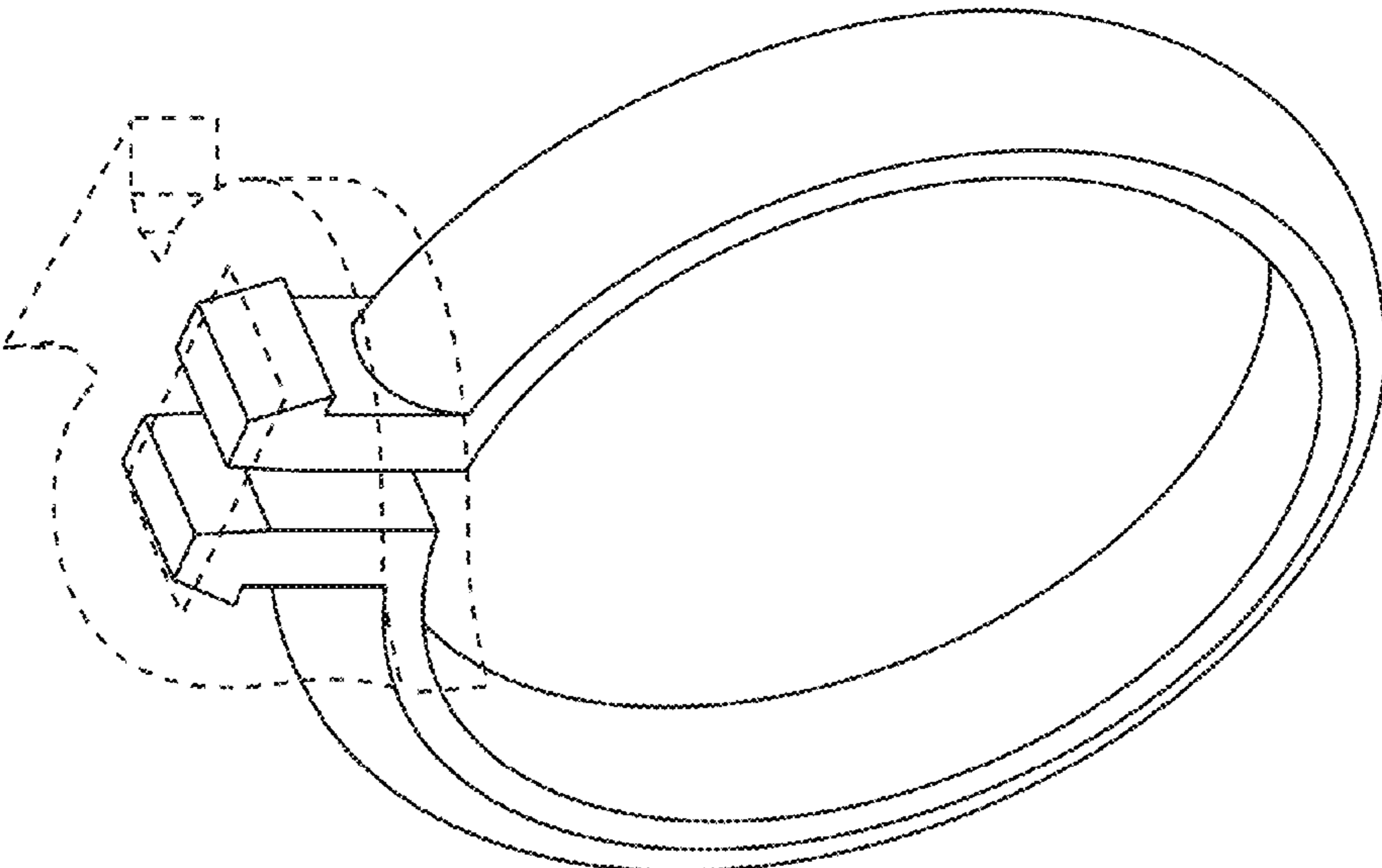


FIGURE 8

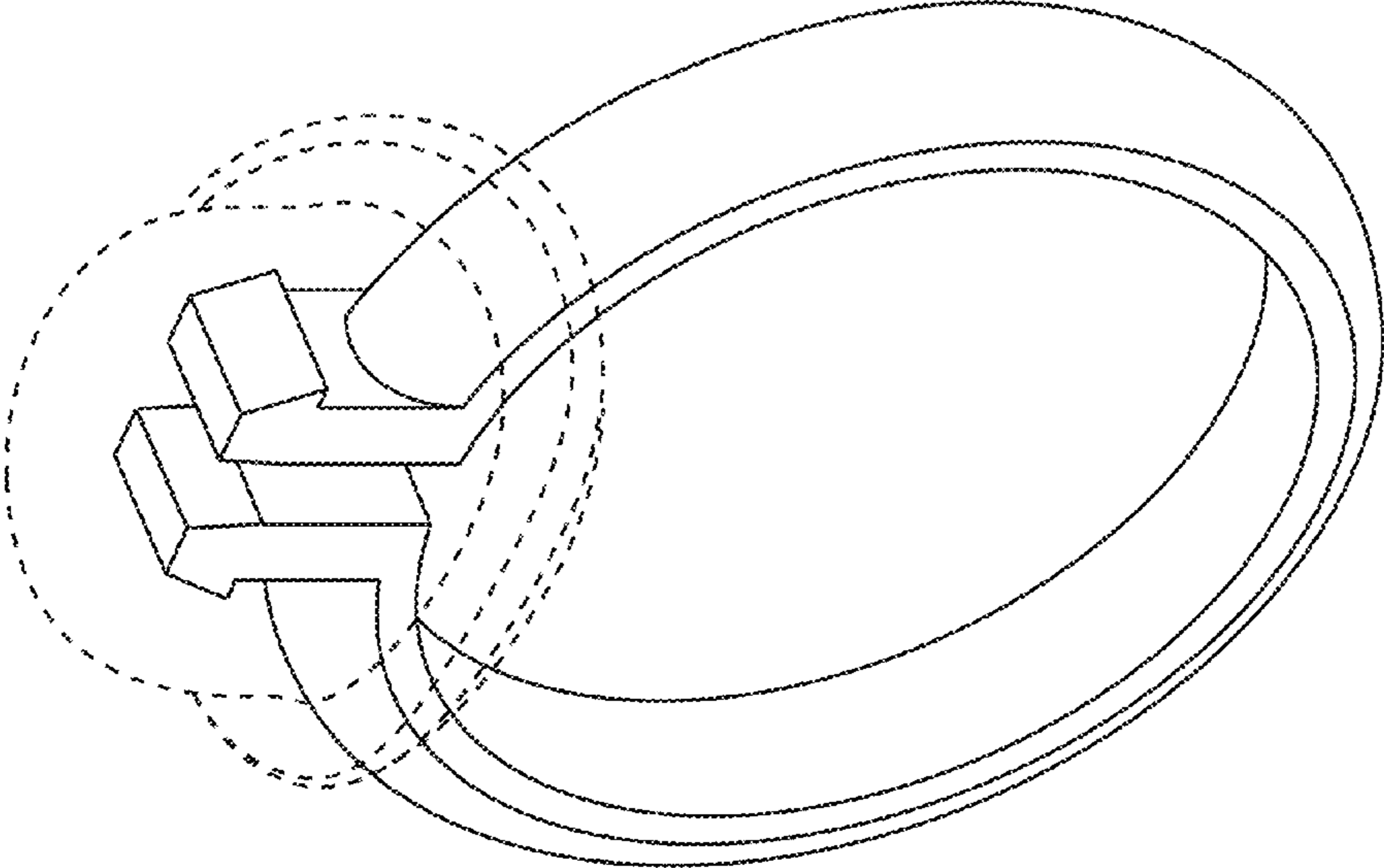


FIGURE 11

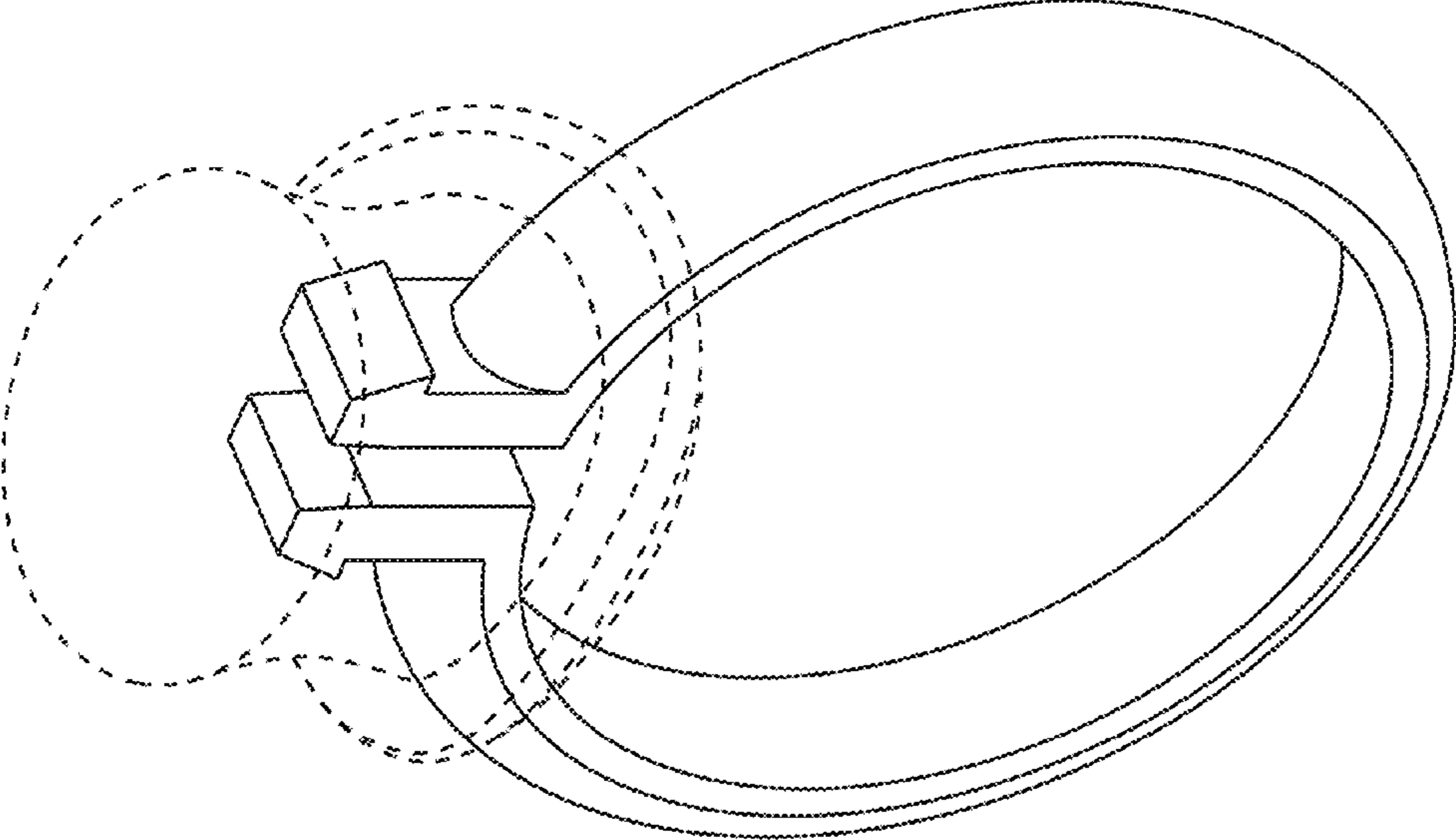


FIGURE 10

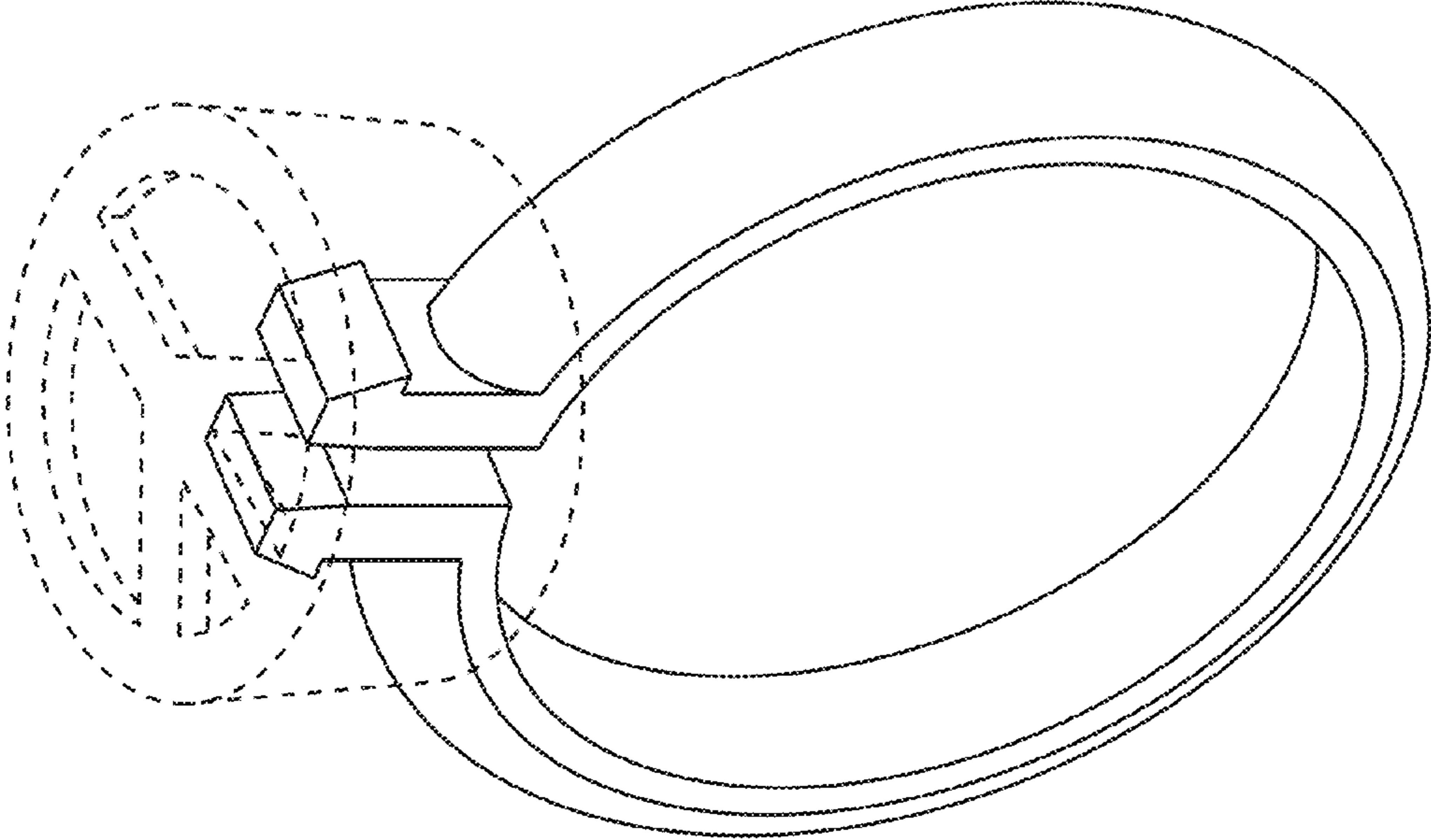


FIGURE 13

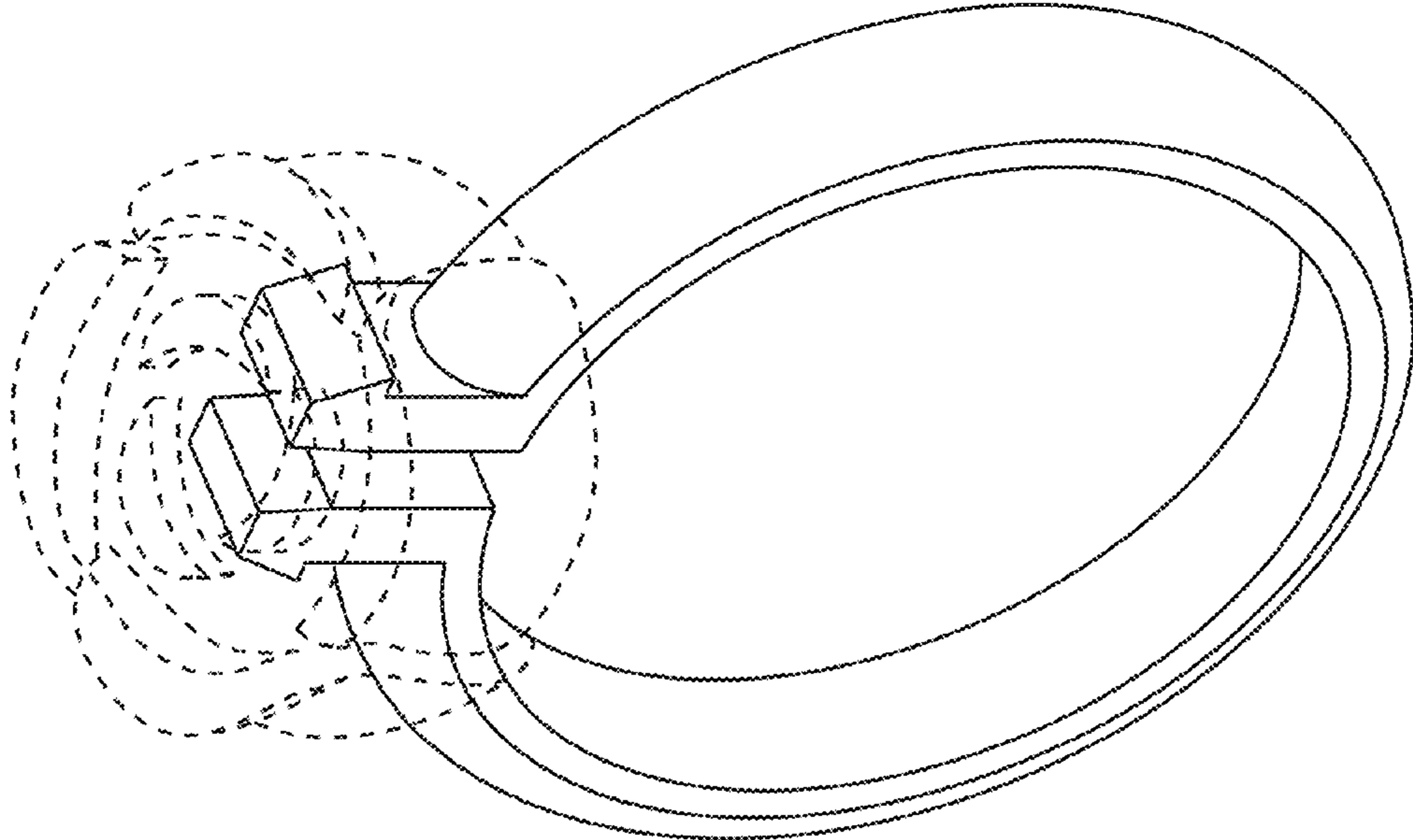


FIGURE 12

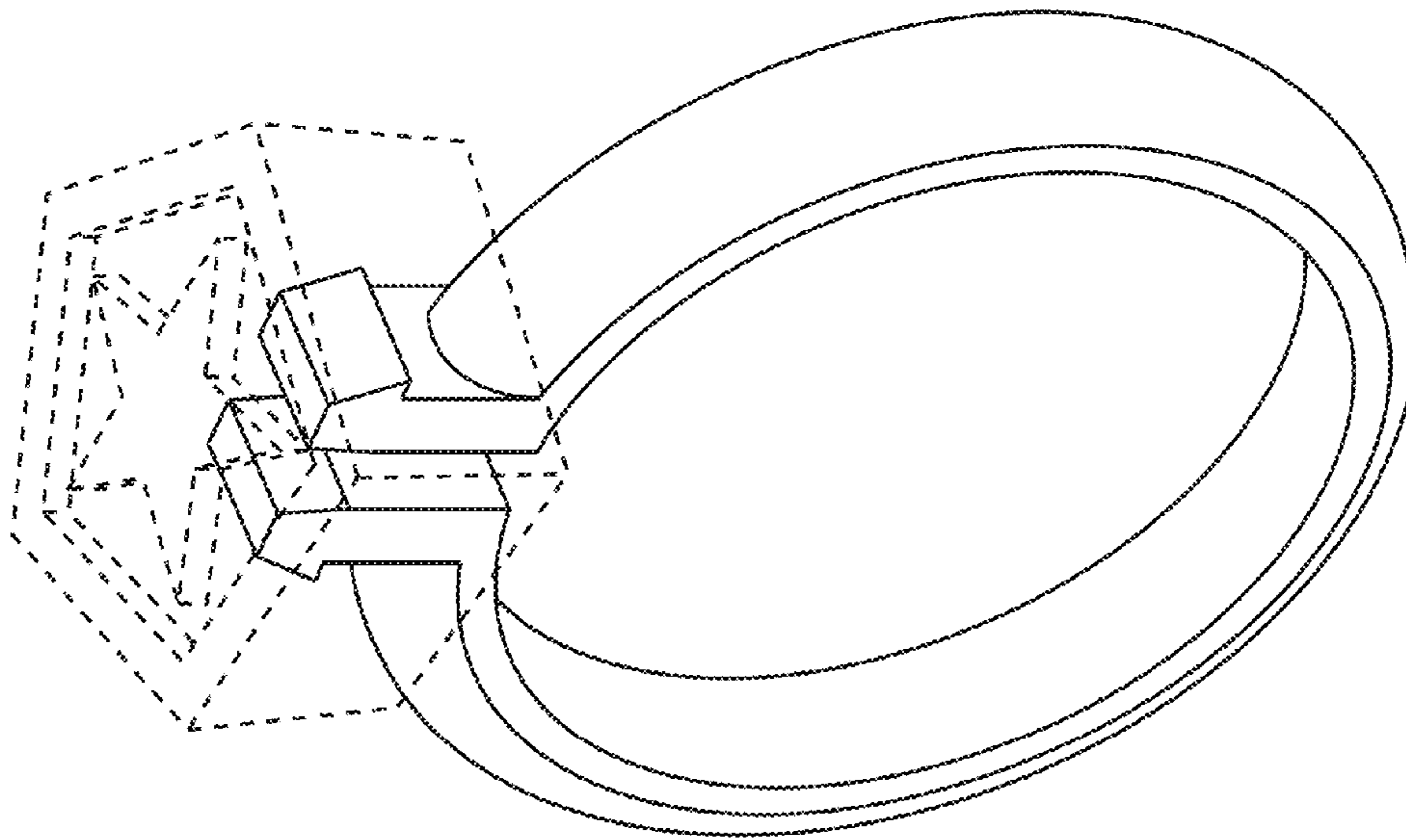


FIGURE 14

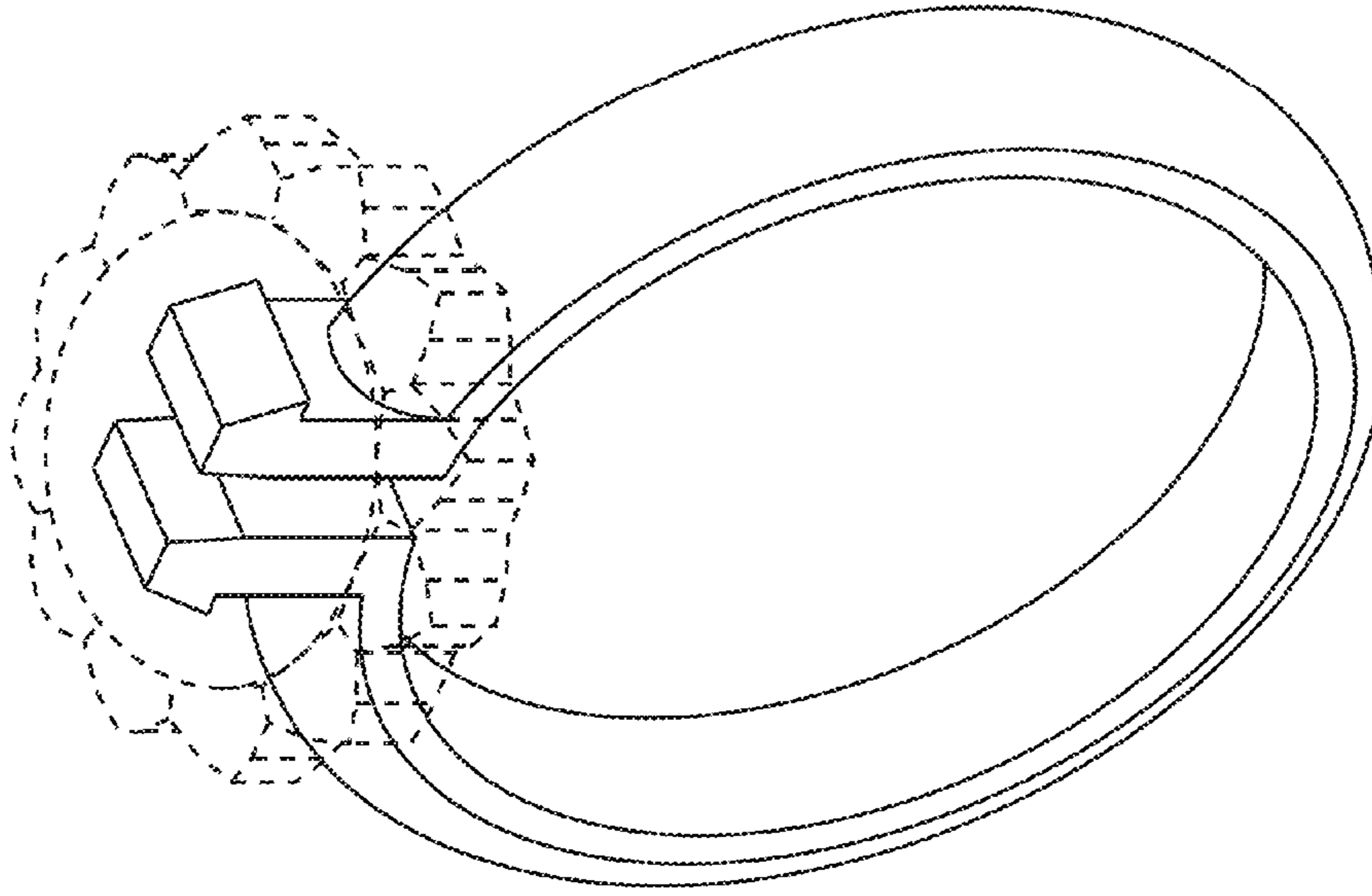


FIGURE 15