



US00D718171S

(12) **United States Design Patent**  
**Fakesch**

(10) **Patent No.:** **US D718,171 S**  
(45) **Date of Patent:** **\*\* Nov. 25, 2014**

- (54) **CUFF BRACELET**
- (71) Applicants: **Corina Simona Fakesch**,  
Bobenheim-Roxheim (DE); **Rainer Fakesch**,  
Bobenheim-Roxheim (DE)
- (72) Inventor: **Corina Simona Fakesch**,  
Bobenheim-Roxheim (DE)
- (73) Assignees: **Corina Simona Fakesch** (DE); **Rainer Fakesch** (DE)
- (\*\*) Term: **14 Years**
- (21) Appl. No.: **29/484,549**
- (22) Filed: **Mar. 11, 2014**
- (51) **LOC (10) Cl.** ..... **11-01**
- (52) **U.S. Cl.**  
USPC ..... **D11/3**
- (58) **Field of Classification Search**  
USPC ..... D11/1-30; 63/1.11, 1.13, 1.14, 1.15,  
63/1.16, 3, 3.1, 3.2, 4, 5.1, 7, 9, 10, 11, 12,  
63/15, 15.1, 15.2, 15.3, 15.45, 15.5, 15.9;  
368/276-278, 281-283; D28/41;  
D10/30-32; D30/151-153; D7/633;  
D2/894  
  
See application file for complete search history.

D454,808	S	3/2002	Hill	
D458,180	S	6/2002	Tschetter	
D514,467	S	2/2006	Della Valle	
D533,085	S *	12/2006	Mourgue	D10/32
D548,128	S *	8/2007	Andren et al.	D11/3
D563,818	S *	3/2008	Varon	D11/3
D565,448	S *	4/2008	Prak et al.	D11/4
7,414,221	B2 *	8/2008	Pratt et al.	63/33
D611,357	S *	3/2010	Giroud	D10/32
D645,376	S	9/2011	Bulgari	
D651,931	S *	1/2012	Molik	D11/3
D684,497	S *	6/2013	Cobbett et al.	D11/3
D710,236	S *	8/2014	Lee	D11/4
2013/0020367	A1 *	1/2013	Buckley	224/219

**OTHER PUBLICATIONS**

BlueBracelet—Embroidered Silver Jewelry by Corina Fakesch, published Jan. 3, 2014, online. Site visited Sep. 4, 2014. Internet URL: <“https://www.facebook.com/652847031413094/photos/pb.652847031413094.- 2207520000.1409867546./700810006616796/?type=3&theater”>.\*

\* cited by examiner

*Primary Examiner* — Garth Rademaker  
*Assistant Examiner* — Llorellys Martinez-Rivera  
(74) *Attorney, Agent, or Firm* — Brooks Kushman P.C.

(57) **CLAIM**  
The ornamental design for a cuff bracelet, as shown and described.

**DESCRIPTION**

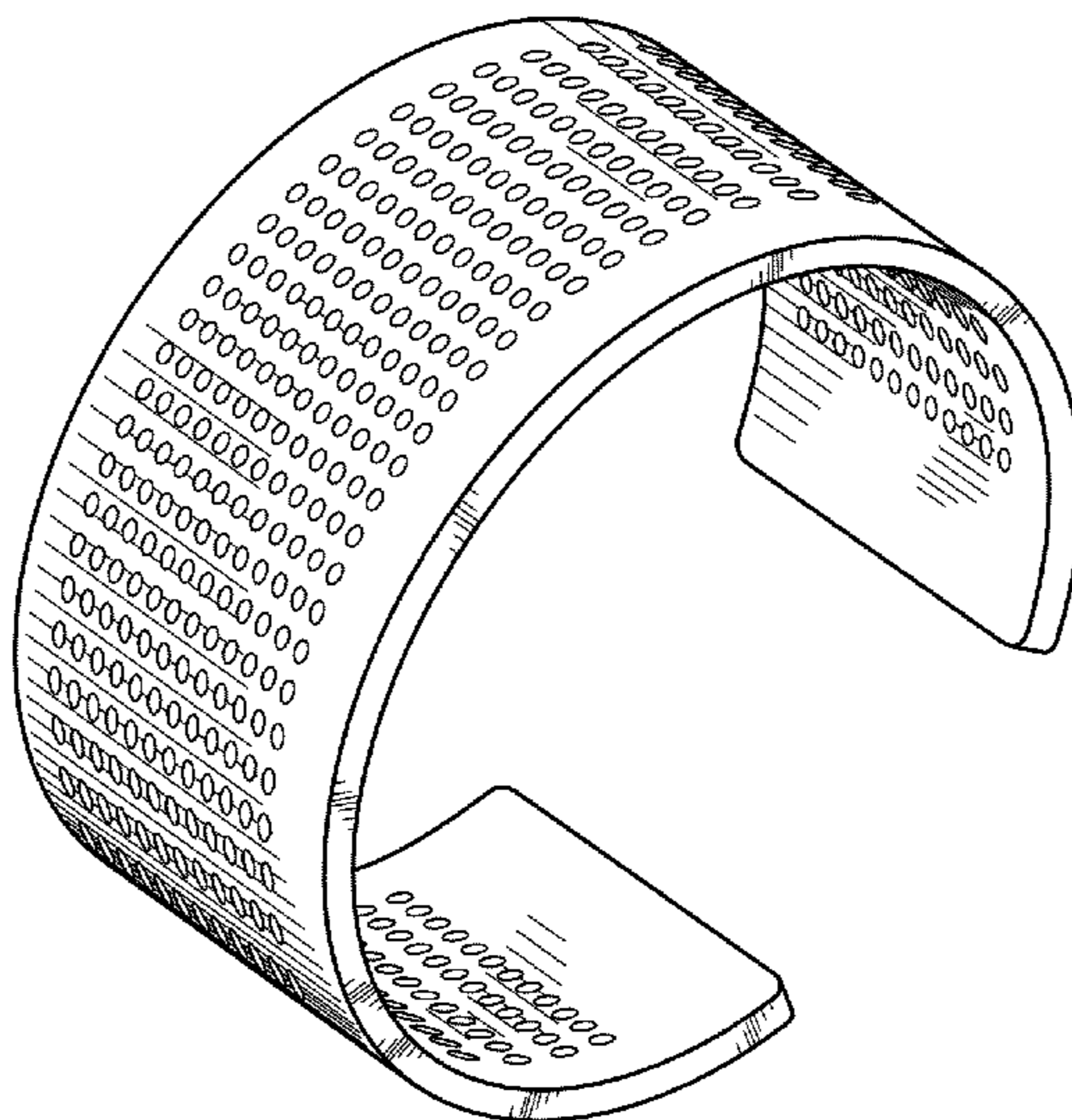
FIG. 1 is a perspective view of a cuff bracelet showing my new design;  
FIG. 2 is a top plan view thereof;  
FIG. 3 is a front view thereof, the rear view being a mirror image thereof;  
FIG. 4 is a bottom plan view thereof; and,  
FIG. 5 is a left side view thereof, the right side being a mirror image thereof.

**1 Claim, 2 Drawing Sheets**

(56) **References Cited**

**U.S. PATENT DOCUMENTS**

1,234,204	A *	7/1917	O'Brien	63/3
1,280,707	A *	10/1918	Gebhardt	63/15
D148,351	S	1/1948	Hamilton	
2,582,492	A *	1/1952	Lev	D2/894
4,357,694	A *	11/1982	Montuori	368/282
D285,422	S *	9/1986	Grimes	D11/4
D319,035	S *	8/1991	Kruse	D11/27
D336,866	S *	6/1993	Tasou	D11/4
D372,879	S *	8/1996	Partridge	D11/4
D373,741	S *	9/1996	Mehta	D11/26
D382,989	S *	9/1997	Simpson	D2/894



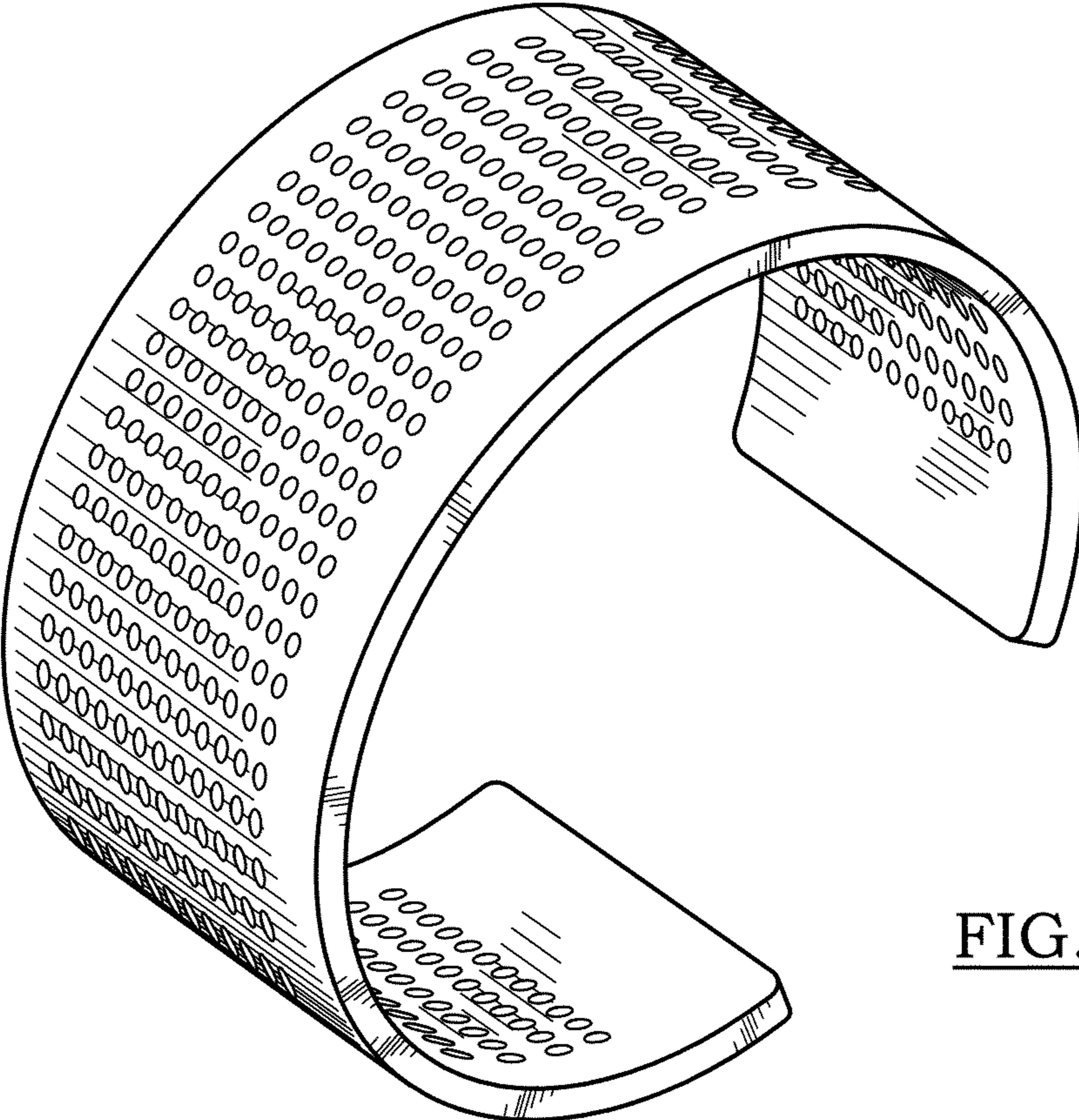


FIG. 1

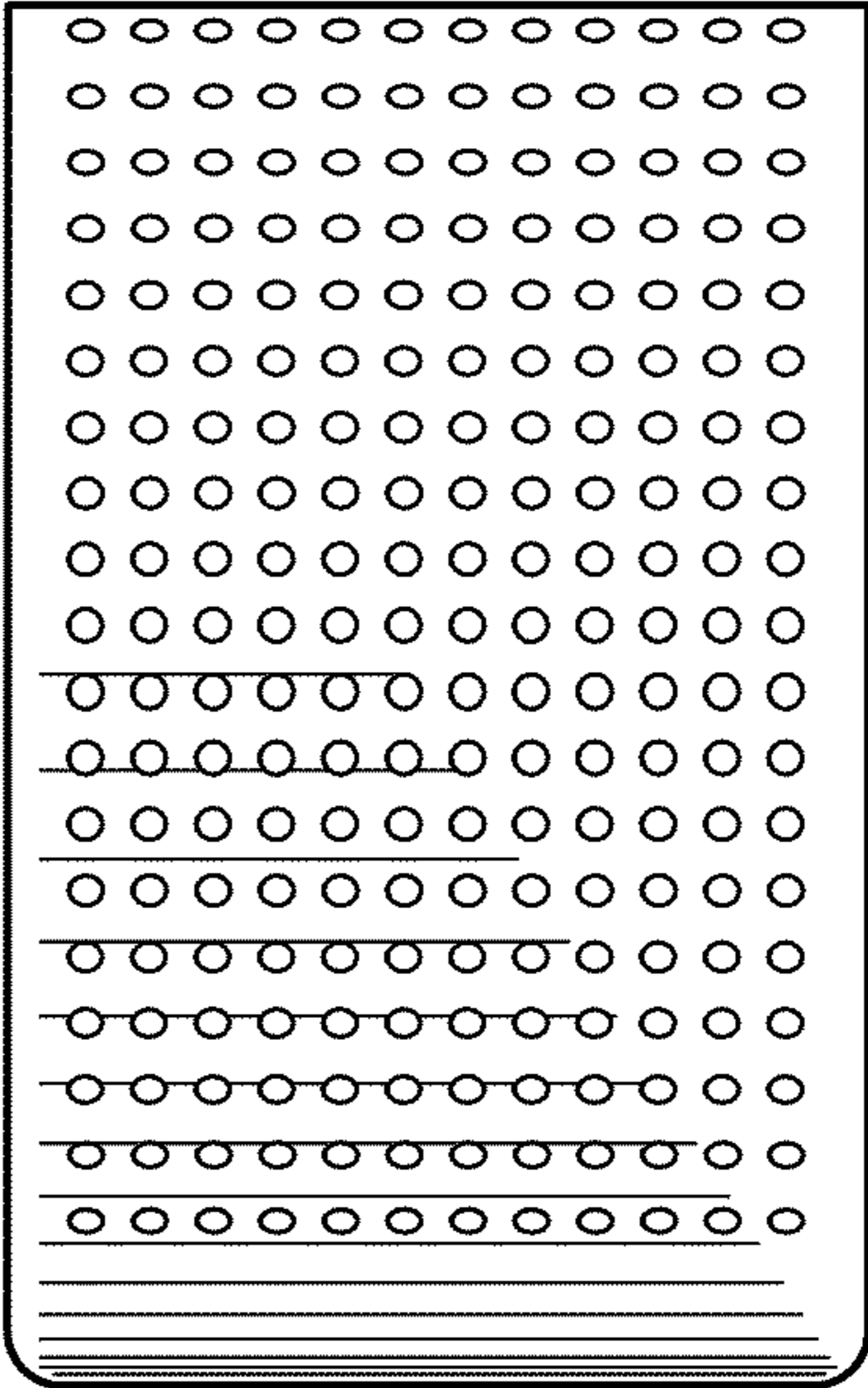


FIG. 5

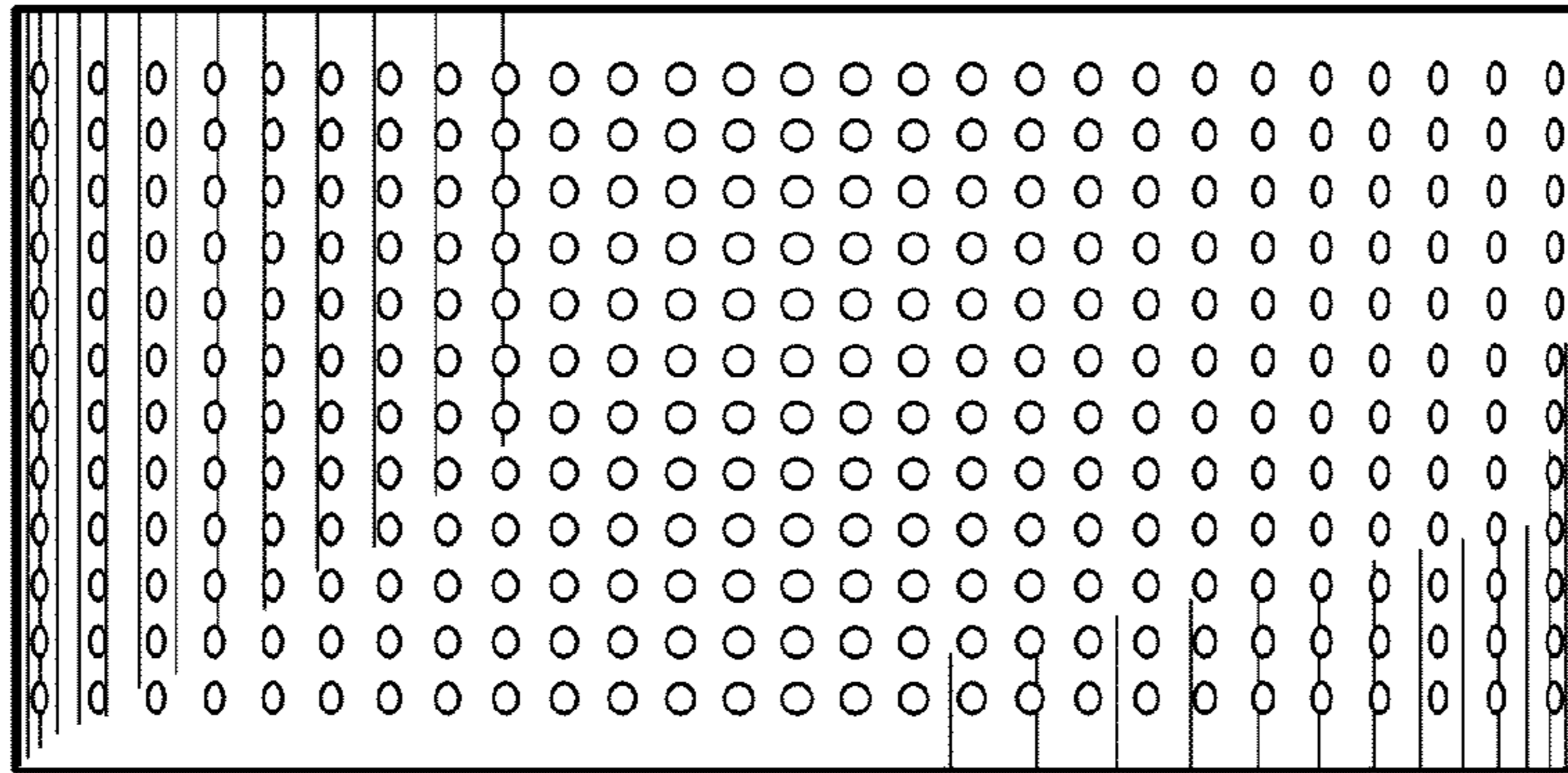


FIG. 2

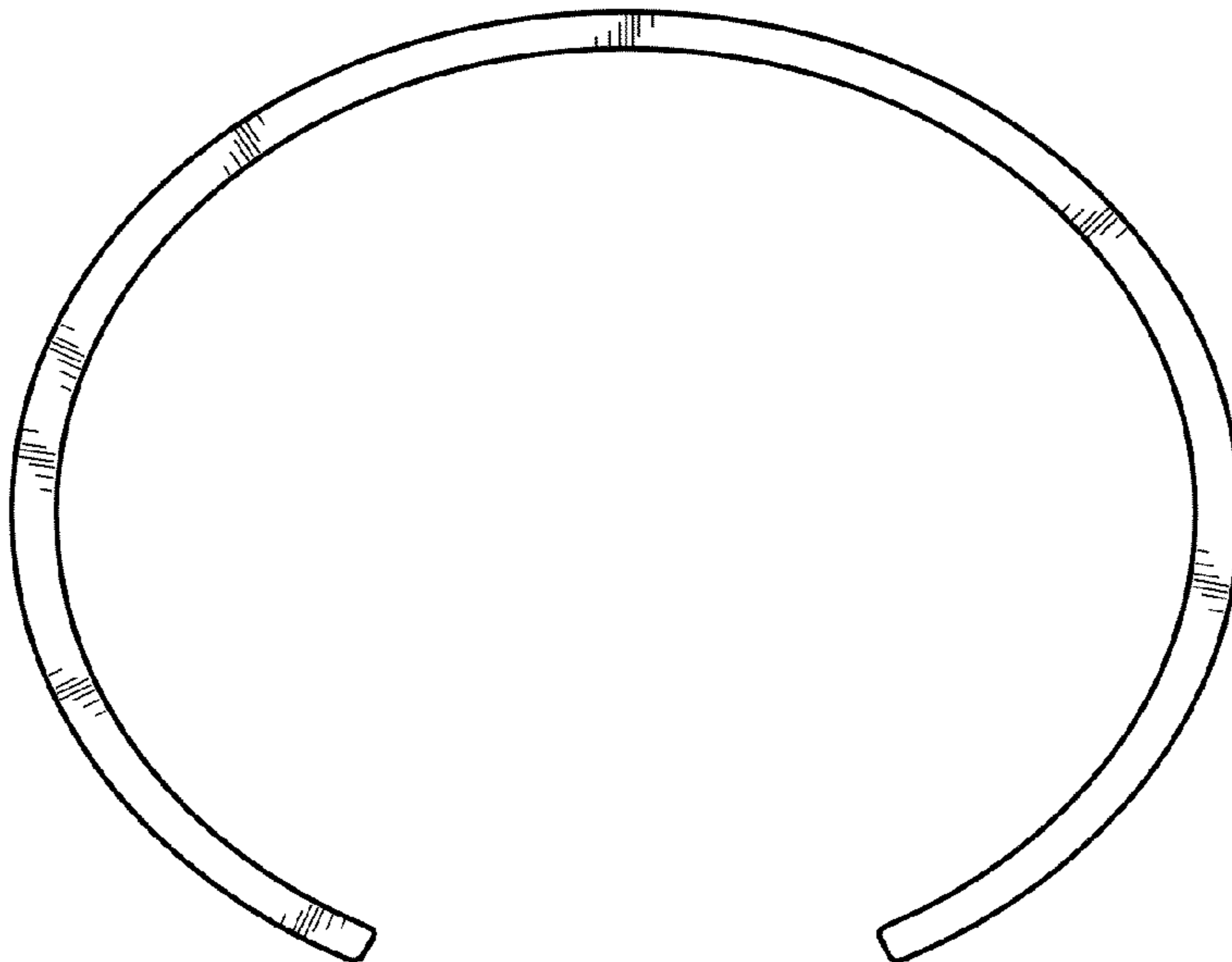


FIG. 3

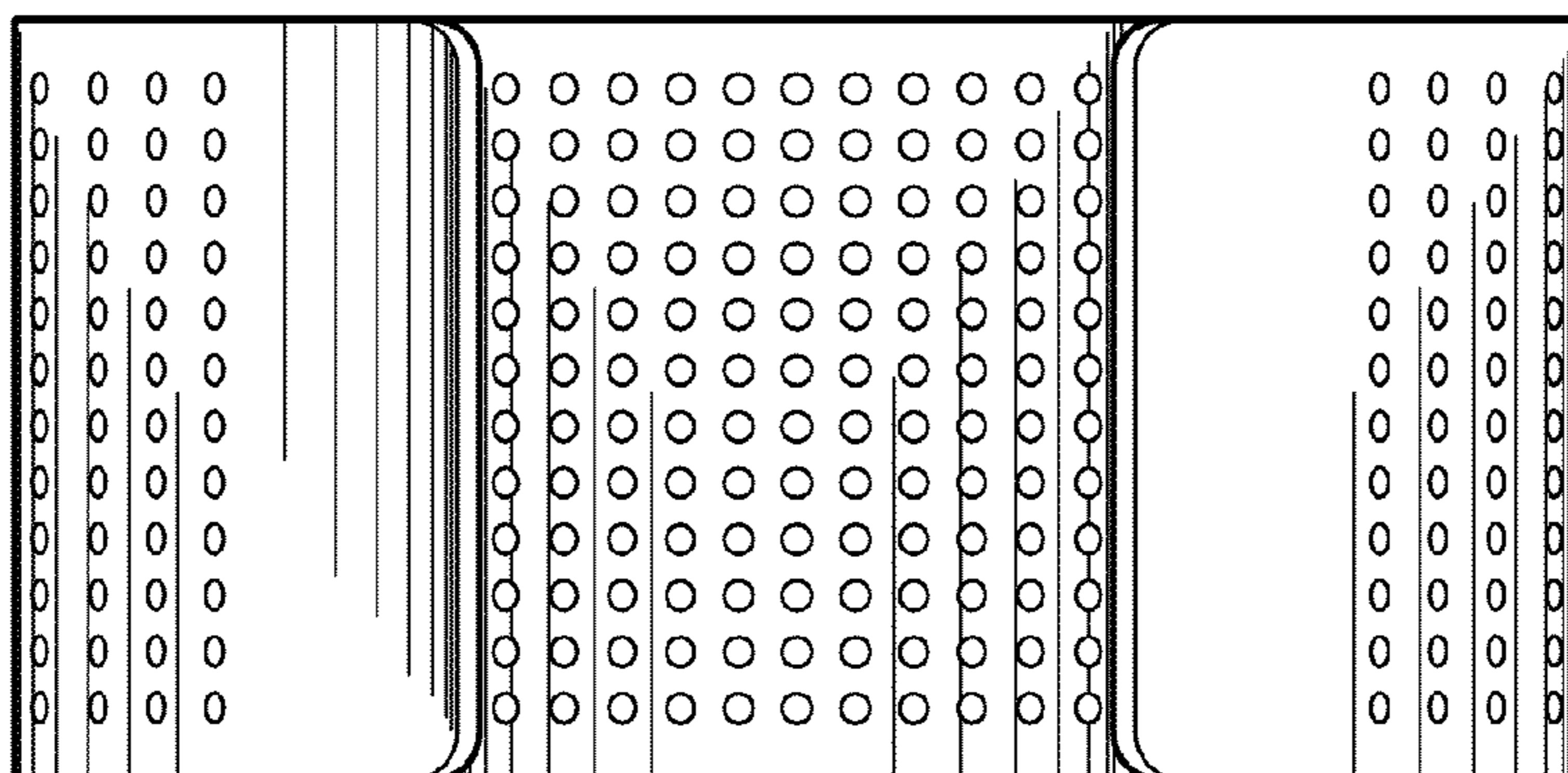


FIG. 4