



US00D718167S

(12) **United States Design Patent**
Yliluoma

(10) **Patent No.:** **US D718,167 S**

(45) **Date of Patent:** **** Nov. 25, 2014**

(54) **BEZEL OF A WRISTWATCH**

(71) Applicant: **Suunto Oy**, Vantaa (FI)

(72) Inventor: **Timo Yliluoma**, Vantaa (FI)

(73) Assignee: **Suunto Oy**, Vanta (FI)

(**) Term: **14 Years**

(21) Appl. No.: **29/455,305**

(22) Filed: **May 20, 2013**

(30) **Foreign Application Priority Data**

Apr. 5, 2013 (EM) 001366819-0002

(51) **LOC (10) Cl.** **10-07**

(52) **U.S. Cl.**
USPC **D10/128**

(58) **Field of Classification Search**
CPC G04B 19/283; G04B 19/18
USPC D10/30-39, 128; 368/294, 295
See application file for complete search history.

(56) **References Cited**

U.S. PATENT DOCUMENTS

D339,531 S * 9/1993 Morishima D10/38
D340,869 S * 11/1993 Maruyama et al. D10/30
D346,974 S * 5/1994 Houlihan D10/38

D348,013 S * 6/1994 Nomura D10/38
D364,820 S * 12/1995 Sakai et al. D10/39
D391,863 S * 3/1998 Houlihan D10/30
6,762,976 B1 * 7/2004 Tamaru et al. 368/88
D536,997 S * 2/2007 Asakawa D10/38
D539,674 S * 4/2007 Vaptzarof D10/38
D542,676 S * 5/2007 Cheng D10/38
D573,486 S * 7/2008 Sanz D10/38
D582,792 S * 12/2008 Lalo D10/38
D592,080 S * 5/2009 Mijatovic D10/39
D597,420 S * 8/2009 Kamata D10/32
D652,326 S * 1/2012 Kummer D10/38
D658,511 S * 5/2012 Wai Kei D10/32
D677,595 S * 3/2013 Hinskens D10/128
D677,596 S * 3/2013 Hinskens D10/128

* cited by examiner

Primary Examiner — Lucy Lieberman

(74) *Attorney, Agent, or Firm* — Terence P. O'Brien

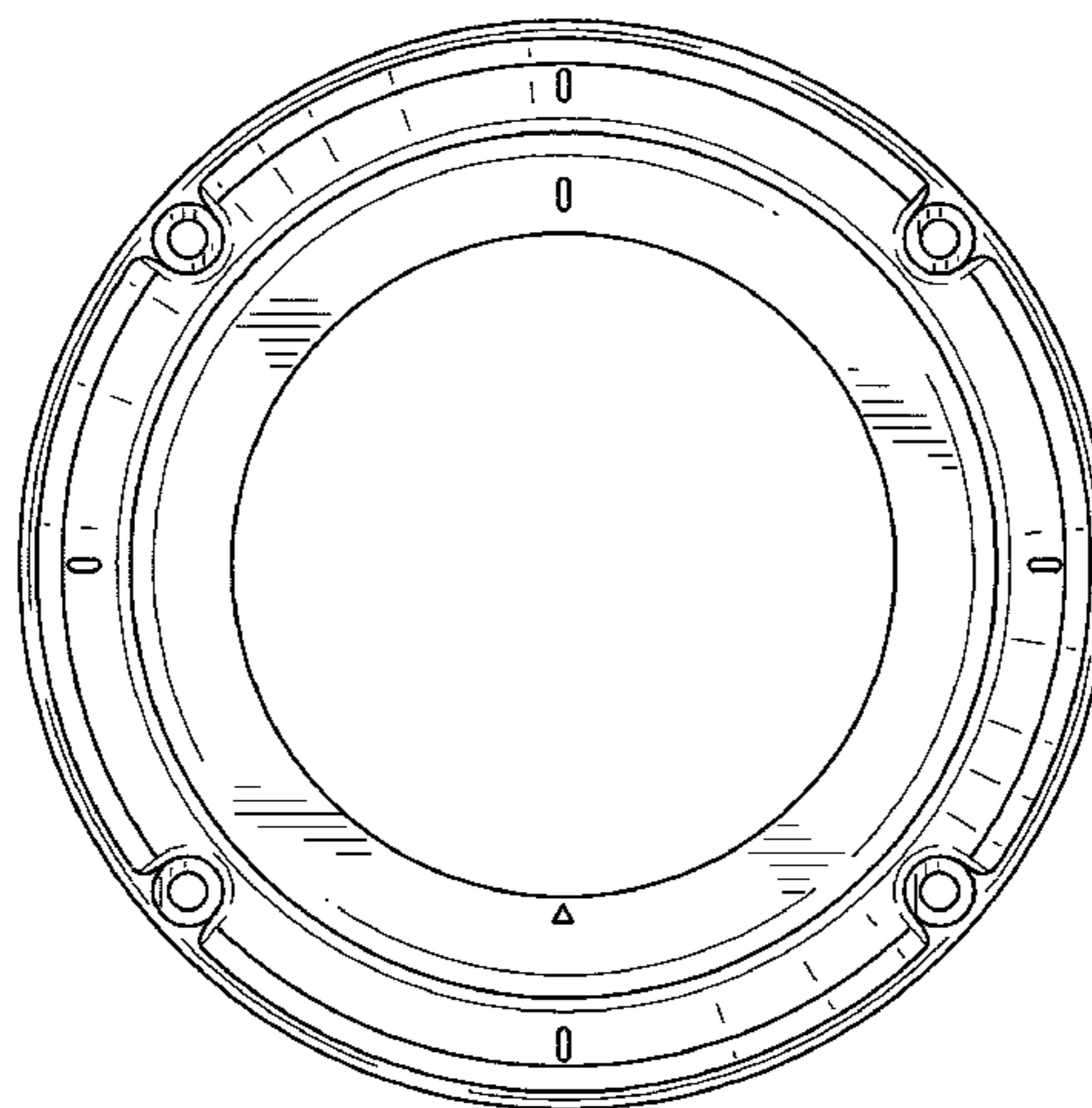
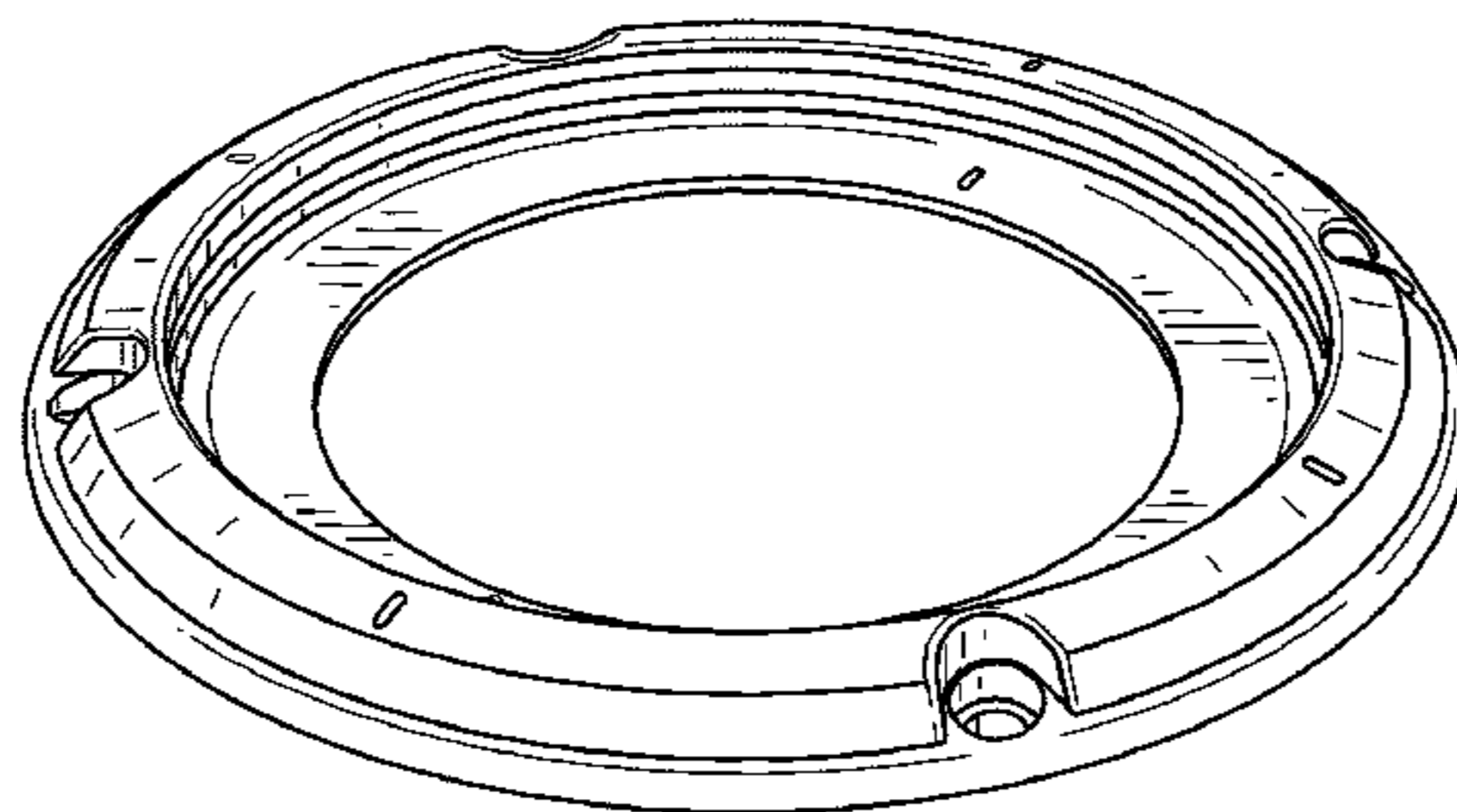
(57) **CLAIM**

I claim the ornamental design for a bezel of a wristwatch, as shown and described.

DESCRIPTION

FIG. 1 is top, side perspective view of a bezel of a wristwatch; FIG. 2 is a top view of the bezel of FIG. 1; FIG. 3 is a side view thereof; FIG. 4 is an end view thereof; and, FIG. 5 is a bottom view of the bezel of FIG. 1.

1 Claim, 3 Drawing Sheets



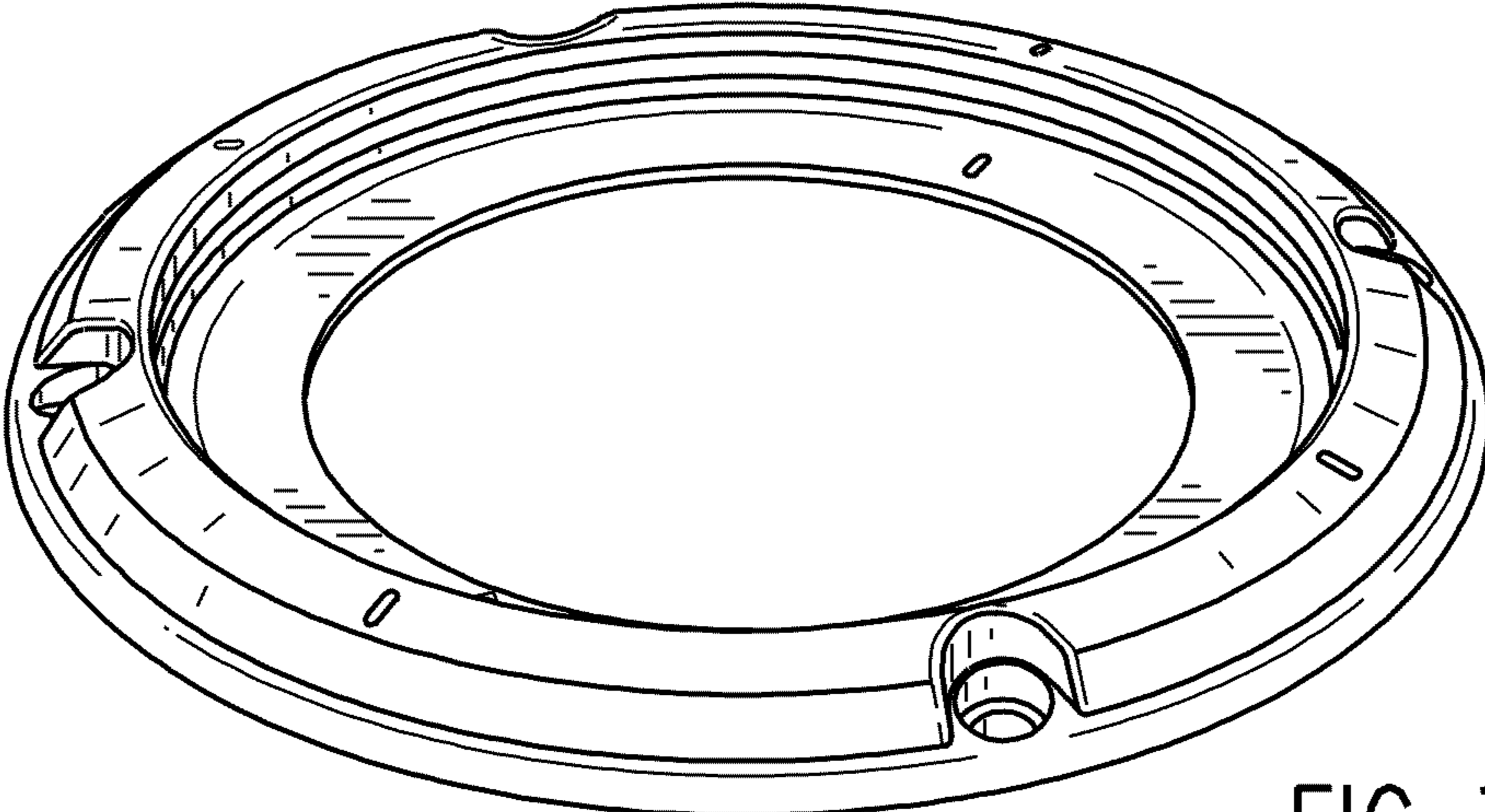


FIG. 1

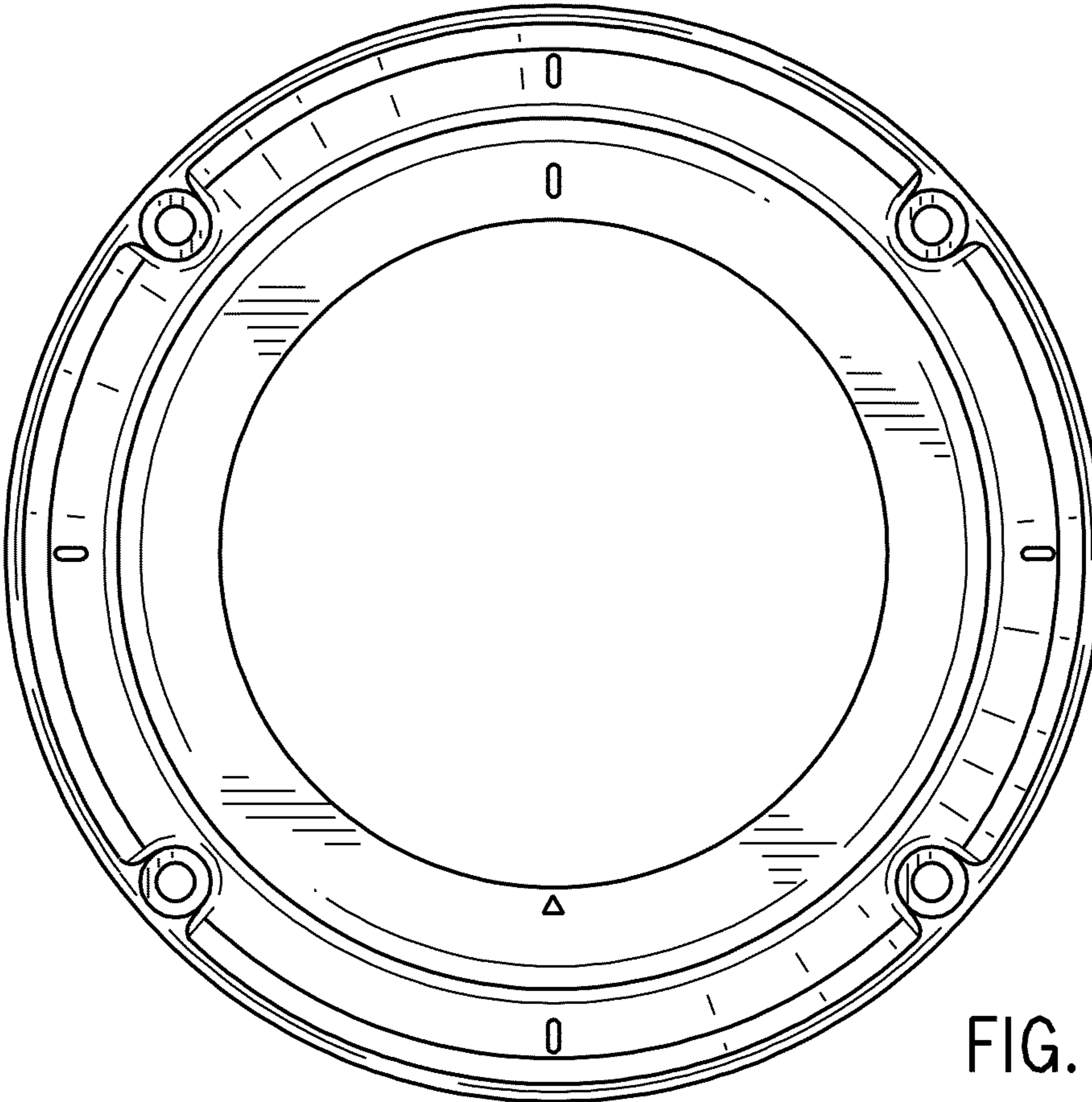


FIG. 2

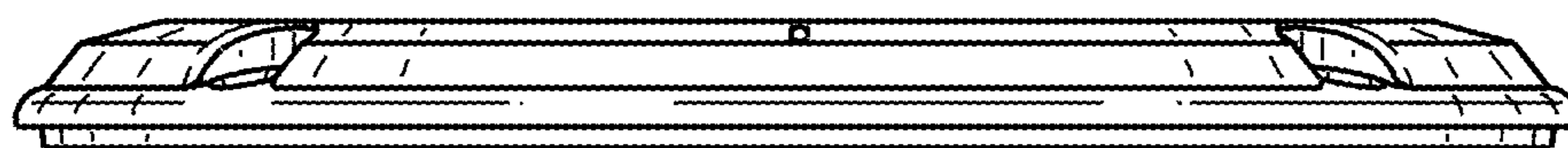


FIG. 3

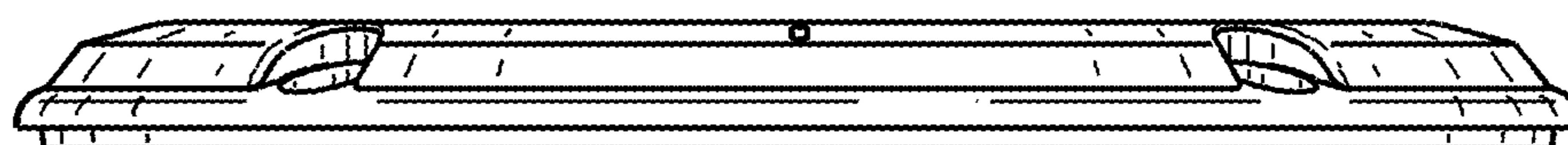


FIG. 4

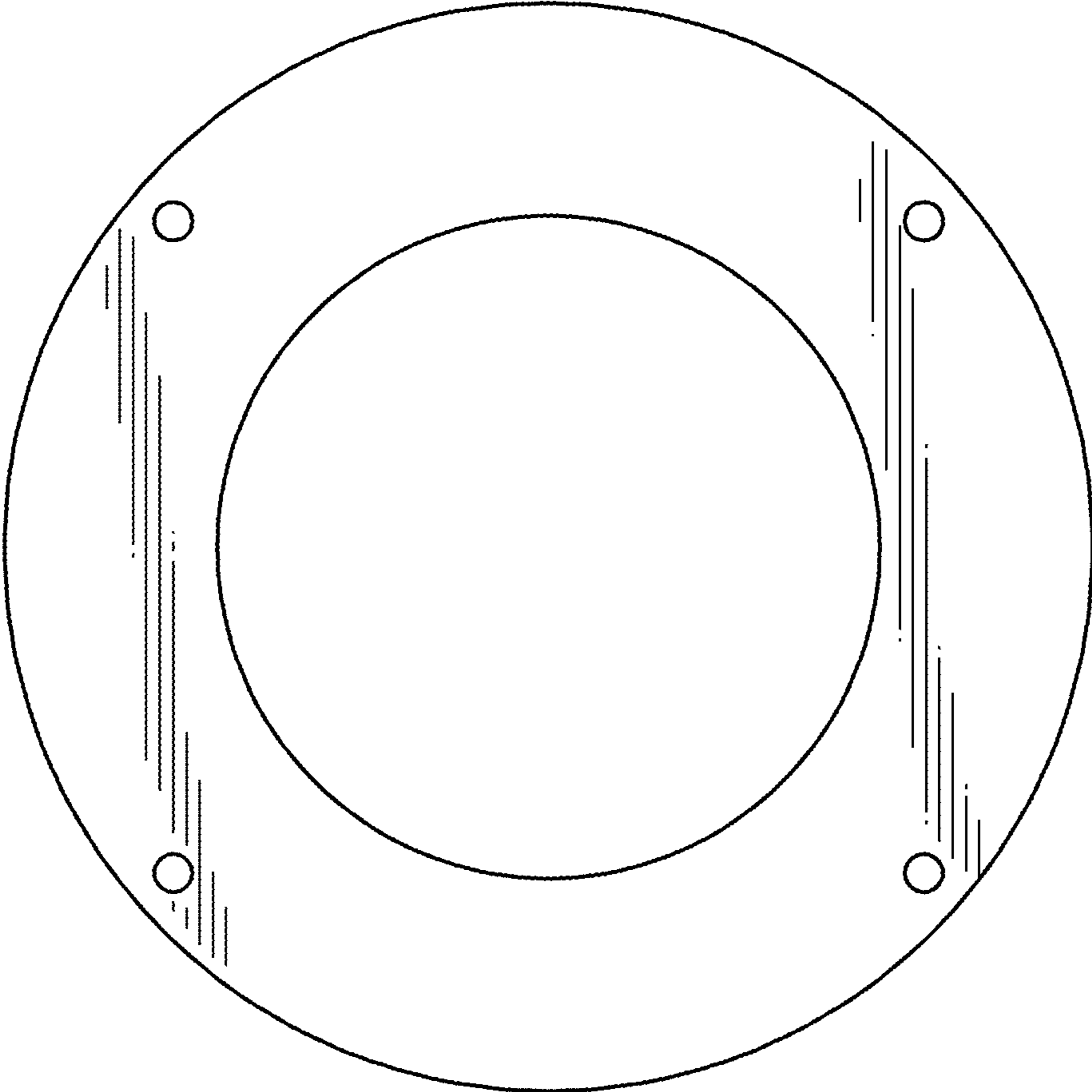


FIG. 5