



US00D718166S

(12) **United States Design Patent**  
**Tsuru et al.**

(10) **Patent No.:** **US D718,166 S**  
(45) **Date of Patent:** **\*\* Nov. 25, 2014**

- (54) **MOVABLE PLATFORM BARRIER**
- (71) Applicants: **Naoki Tsuru**, Tokyo (JP); **Hiroshi Asaoka**, Tokyo (JP)
- (72) Inventors: **Naoki Tsuru**, Tokyo (JP); **Hiroshi Asaoka**, Tokyo (JP)
- (73) Assignee: **Mitsubishi Electric Corporation**, Tokyo (JP)

- (\*\*) Term: **14 Years**
- (21) Appl. No.: **29/438,178**
- (22) Filed: **Nov. 27, 2012**

- (30) **Foreign Application Priority Data**
  - May 28, 2012 (JP) ..... 2012-012419
  - May 28, 2012 (JP) ..... 2012-012420
  - May 28, 2012 (JP) ..... 2012-012421
  - May 28, 2012 (JP) ..... 2012-012422

- (51) **LOC (10) Cl.** ..... **10-05**
- (52) **U.S. Cl.**  
USPC ..... **D10/113.3**
- (58) **Field of Classification Search**  
USPC ..... D10/113.3; 404/6; 52/459; 49/55, 404;  
318/264; 256/73  
See application file for complete search history.

- (56) **References Cited**  
U.S. PATENT DOCUMENTS
  - D341,098 S \* 11/1993 Yodock ..... D10/113.3
  - 5,498,101 A \* 3/1996 Braverman ..... 404/6
  - 5,540,027 A \* 7/1996 Christensen et al. .... 52/459
  - 6,016,629 A \* 1/2000 Sylvester et al. .... 49/55
  - D421,235 S \* 2/2000 Rausch ..... D10/113.3
  - 6,346,786 B1 \* 2/2002 Wood et al. .... 318/264

6,751,907 B1 *	6/2004	De Gasperis	.....	49/404
2008/0226391 A1 *	9/2008	Phillips et al.	.....	404/6
2009/0101878 A1 *	4/2009	Ruigrok et al.	.....	256/73

FOREIGN PATENT DOCUMENTS

JP	1438835 S	4/2012
WO	DM/049762	1/2000

OTHER PUBLICATIONS

Office Action, dated Sep. 25, 2012, issued by the Russian Patent Office in counterpart Russian Application No. 2012504125.

\* cited by examiner

*Primary Examiner* — George D Kirschbaum  
(74) *Attorney, Agent, or Firm* — Sughrue Mion, PLLC

- (57) **CLAIM**  
The ornamental design for a movable platform barrier, as shown and described.

DESCRIPTION

FIG. 1. is a perspective view of front, left and top side of a movable platform barrier showing a first embodiment of our new design;  
 FIG. 2. is a front view thereof;  
 FIG. 3. is a rear view thereof;  
 FIG. 4. is a left side thereof;  
 FIG. 5. is a right side view thereof;  
 FIG. 6. is a top view thereof; a bottom view is a mirror image thereof;  
 FIG. 7. is a cross sectional end view of the cross-section 7-7 taken in FIG. 2; and,  
 FIG. 8. is a reference view of the design in use.  
 The portions of the article in broken lines are shown for illustrative purposes only and form no part of the claimed design.

**1 Claim, 6 Drawing Sheets**

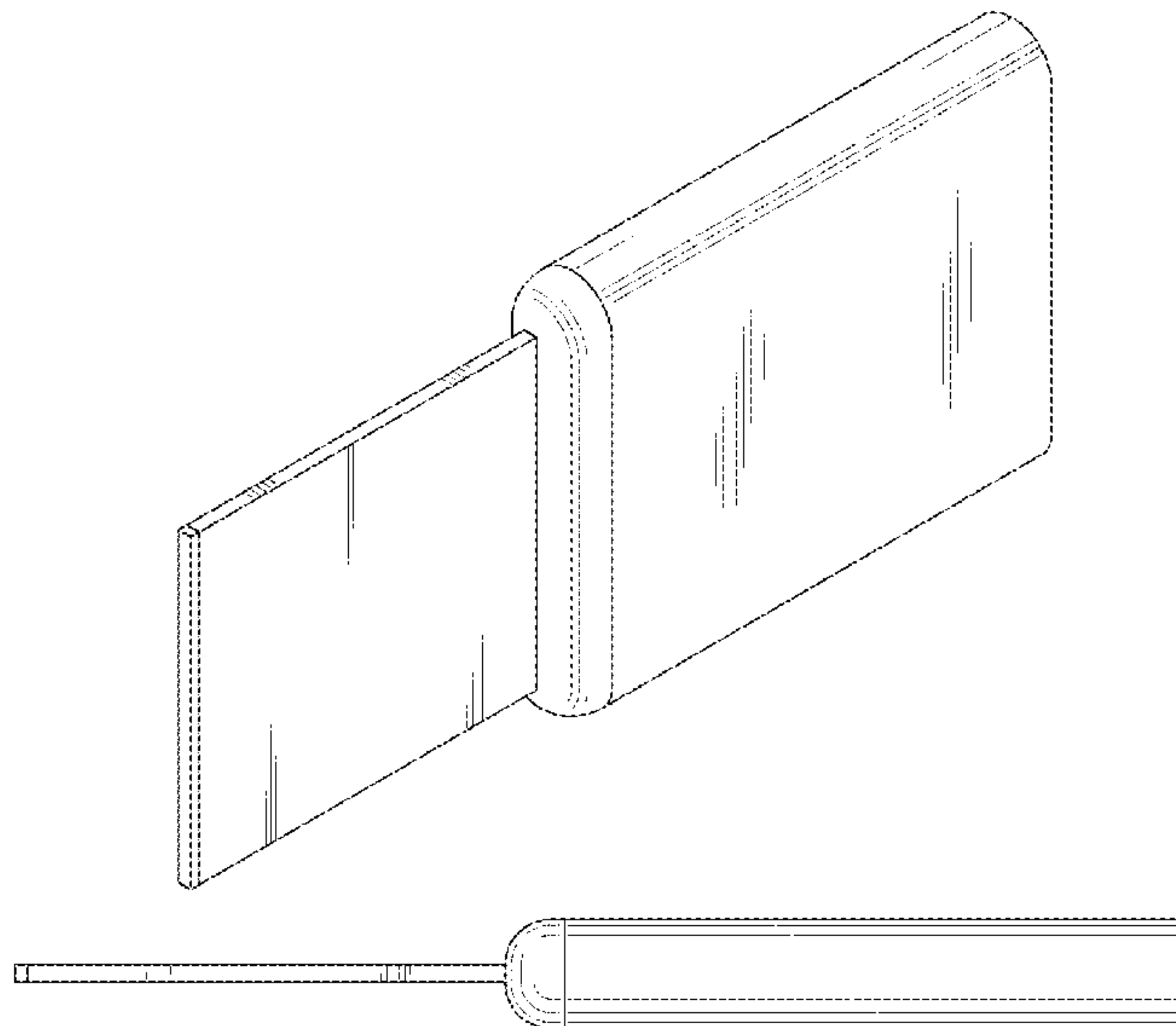


Fig. 1

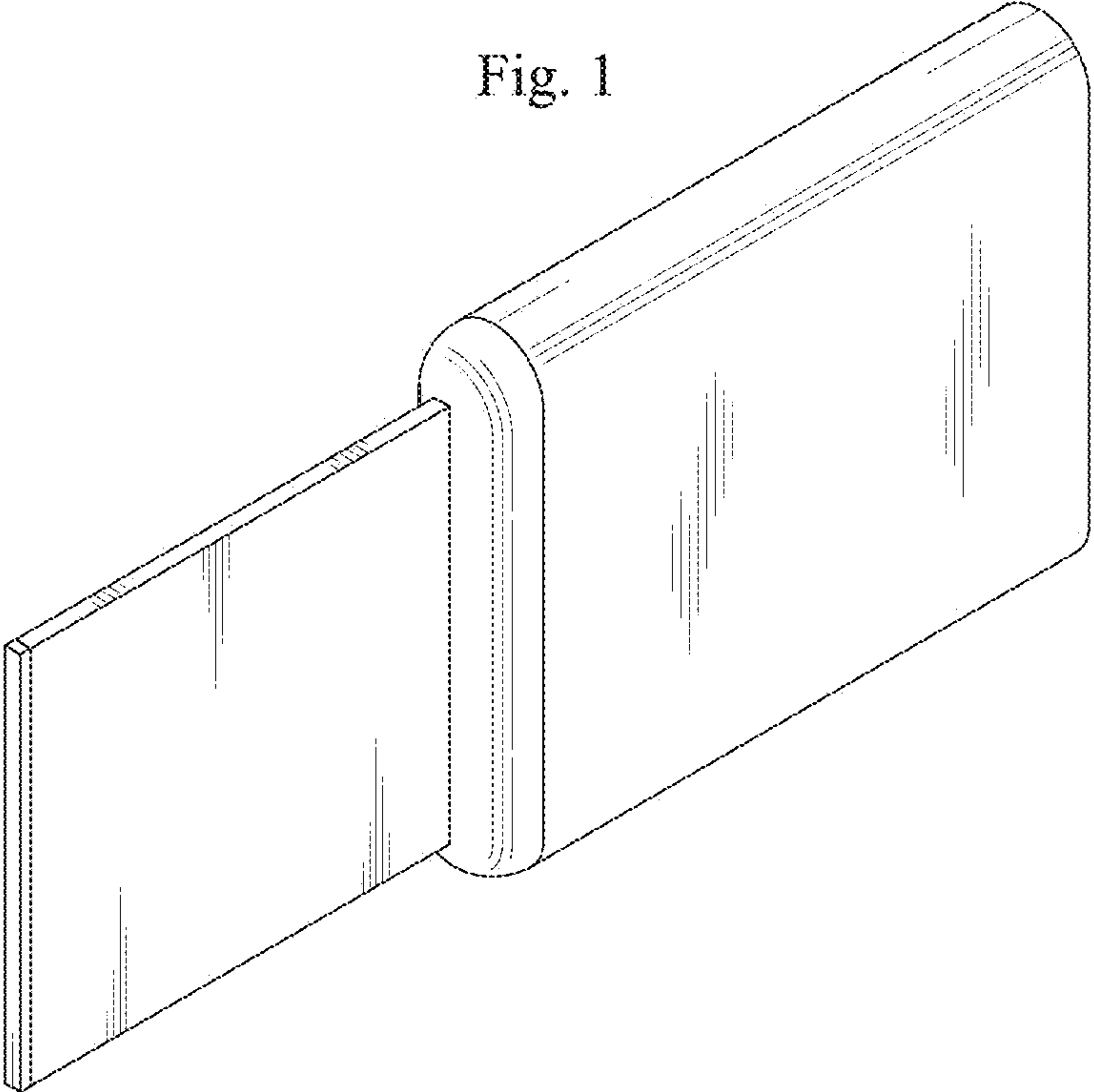


Fig. 2

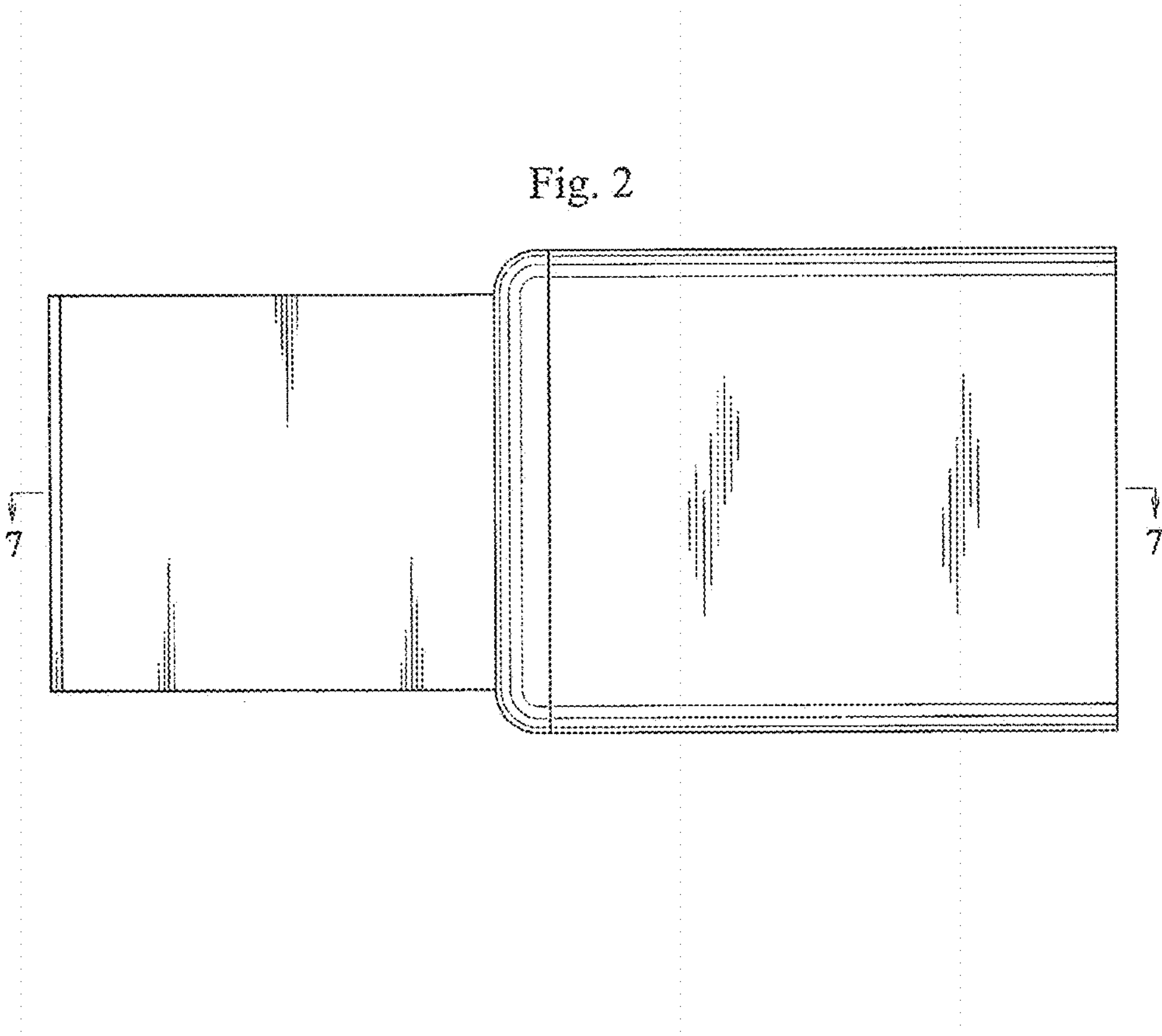


Fig. 3

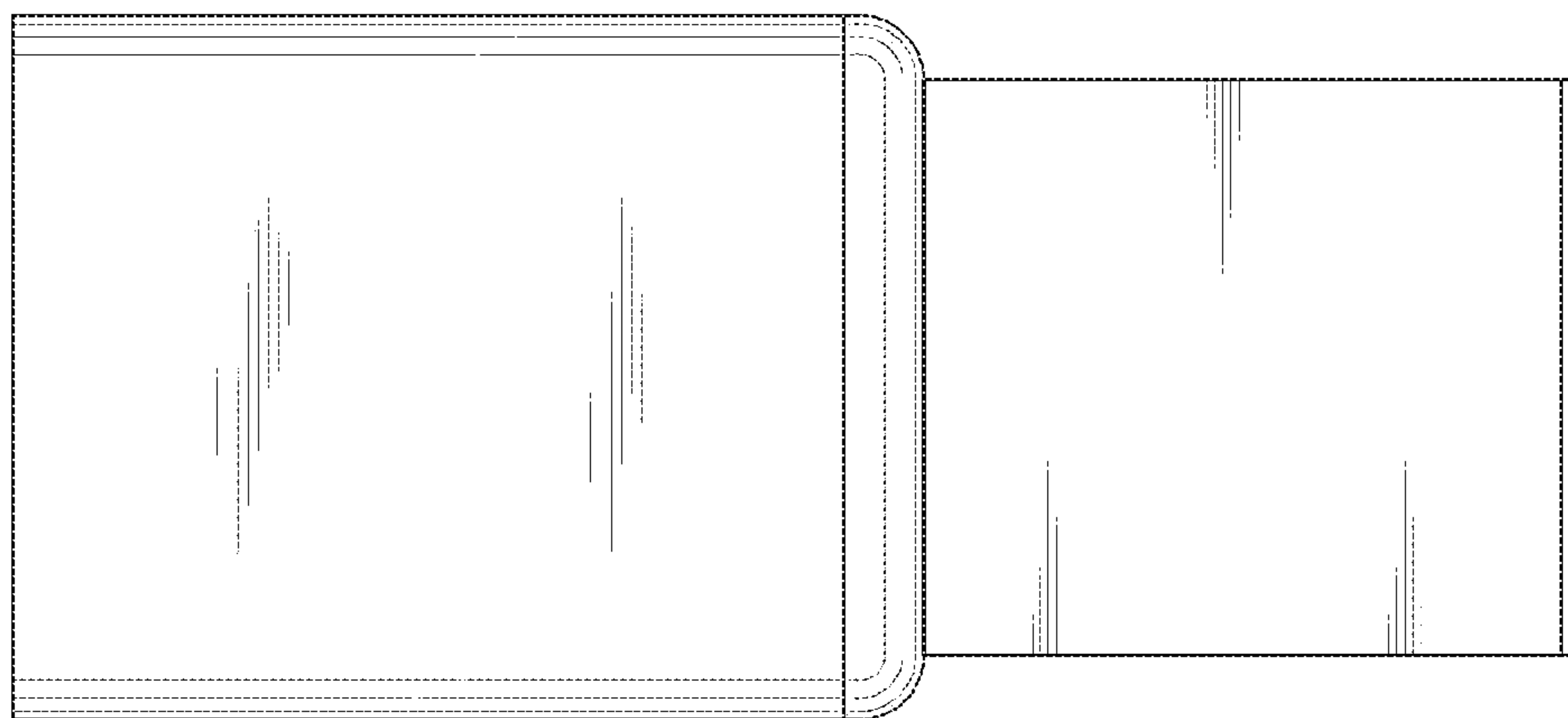


Fig. 4

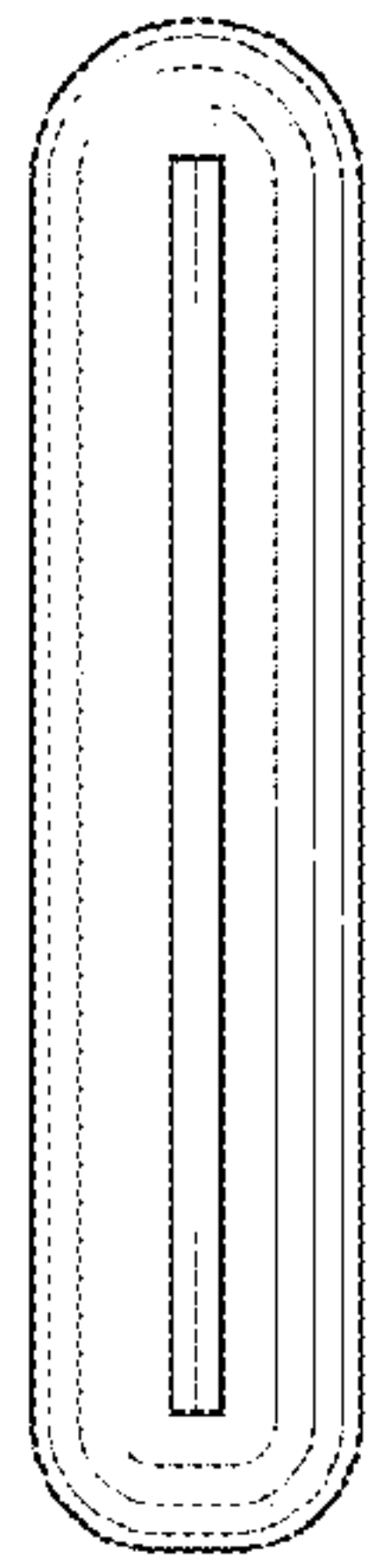


Fig. 5



Fig. 6

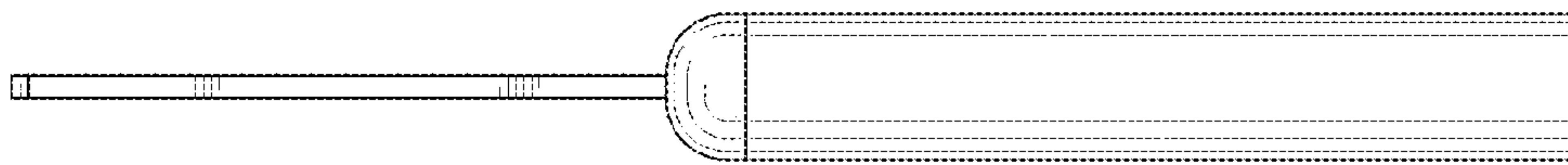


Fig. 7

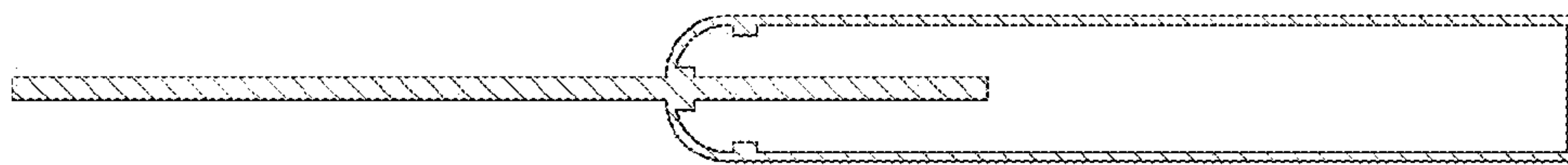


Fig. 8

