



US00D718162S

(12) **United States Design Patent**
Kobayakawa

(10) **Patent No.:** **US D718,162 S**

(45) **Date of Patent:** **** Nov. 25, 2014**

(54) **BODY COMPOSITION METER**

(71) Applicant: **Tanita Corporation**, Tokyo (JP)

(72) Inventor: **Tatsutoshi Kobayakawa**, Tokyo (JP)

(73) Assignee: **Tanita Corporation**, Tokyo (JP)

(**) Term: **14 Years**

(21) Appl. No.: **29/486,430**

(22) Filed: **Mar. 28, 2014**

(30) **Foreign Application Priority Data**

Sep. 30, 2013 (JP) 2013-022855

(51) **LOC (10) Cl.** **10-04**

(52) **U.S. Cl.**

USPC **D10/92**

(58) **Field of Classification Search**

CPC A61B 5/053; A61B 5/4872; A61B 5/0537;
A61B 5/4869; A61B 5/6825; A61B 5/6829;
A61B 5/7445; G08B 21/04; G08B 21/0469;
G01G 23/16; G01G 23/3728; G01G 19/50;
G01G 19/4146; G01G 19/44

USPC D10/87, 88, 91-94; 177/2-13, 15-24,
177/25.11-29, 177, 201-215, 225-237,
177/238-243, DIG. 3, 178-182

See application file for complete search history.

(56) **References Cited**

U.S. PATENT DOCUMENTS

D524,672	S	*	7/2006	Yamada et al.	D10/92
D536,631	S	*	2/2007	Yamada et al.	D10/92
D576,898	S	*	9/2008	Kousuge et al.	D10/92
D576,899	S	*	9/2008	Kousuge et al.	D10/92
D576,900	S	*	9/2008	Kousuge et al.	D10/94

* cited by examiner

Primary Examiner — Antoine D Davis

(74) *Attorney, Agent, or Firm* — Oliff PLC

(57) **CLAIM**

The ornamental design for a body composition meter, as shown and described.

DESCRIPTION

FIG. 1 is a perspective top view of the body composition meter;

FIG. 2 is a perspective bottom view thereof;

FIG. 3 is a top view thereof;

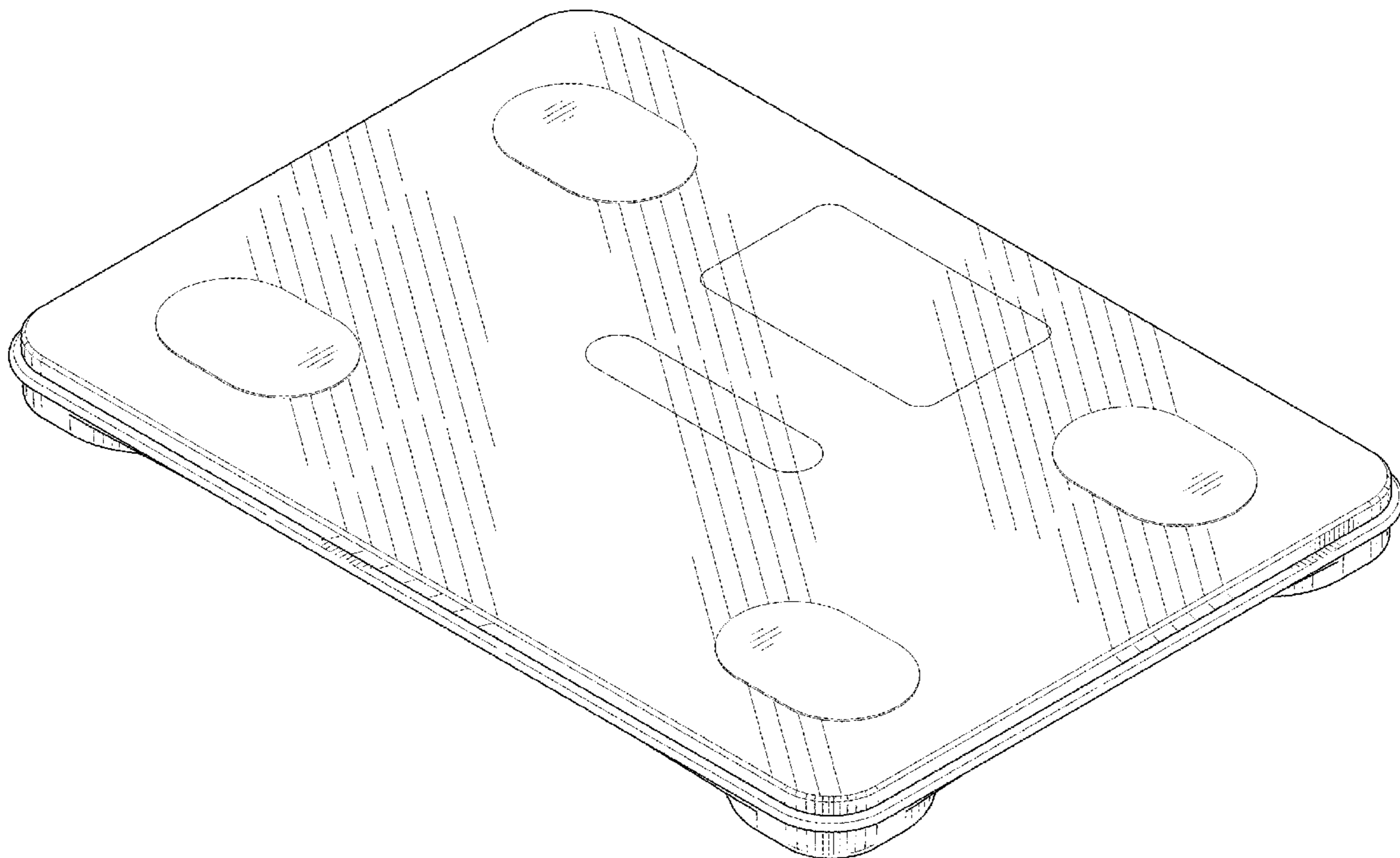
FIG. 4 is a bottom view thereof;

FIG. 5 is a left-side view thereof and the right-side view is a mirror image of the left-side view;

FIG. 6 is front view thereof; and,

FIG. 7 is a rear view thereof.

1 Claim, 5 Drawing Sheets



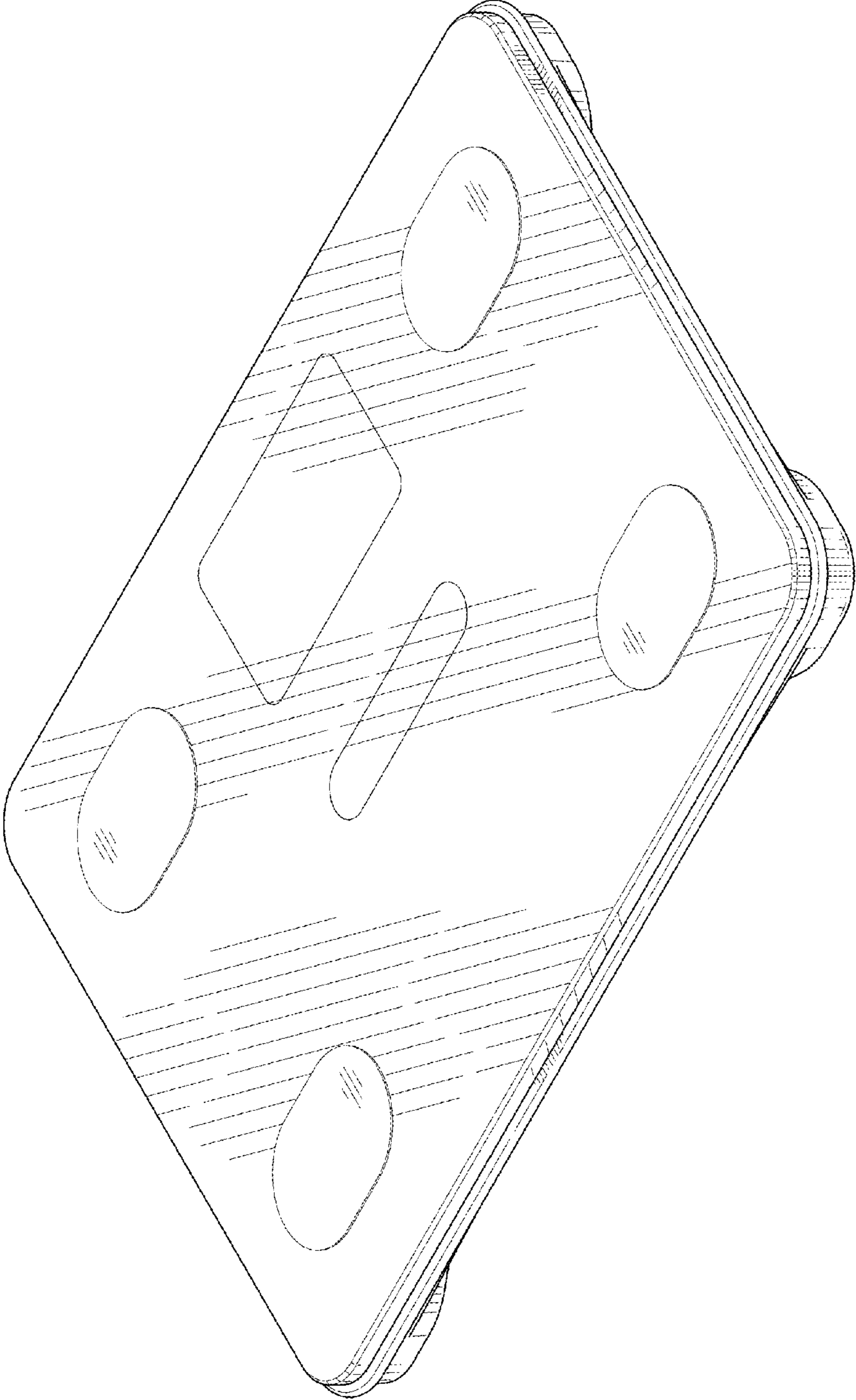


FIG. 1

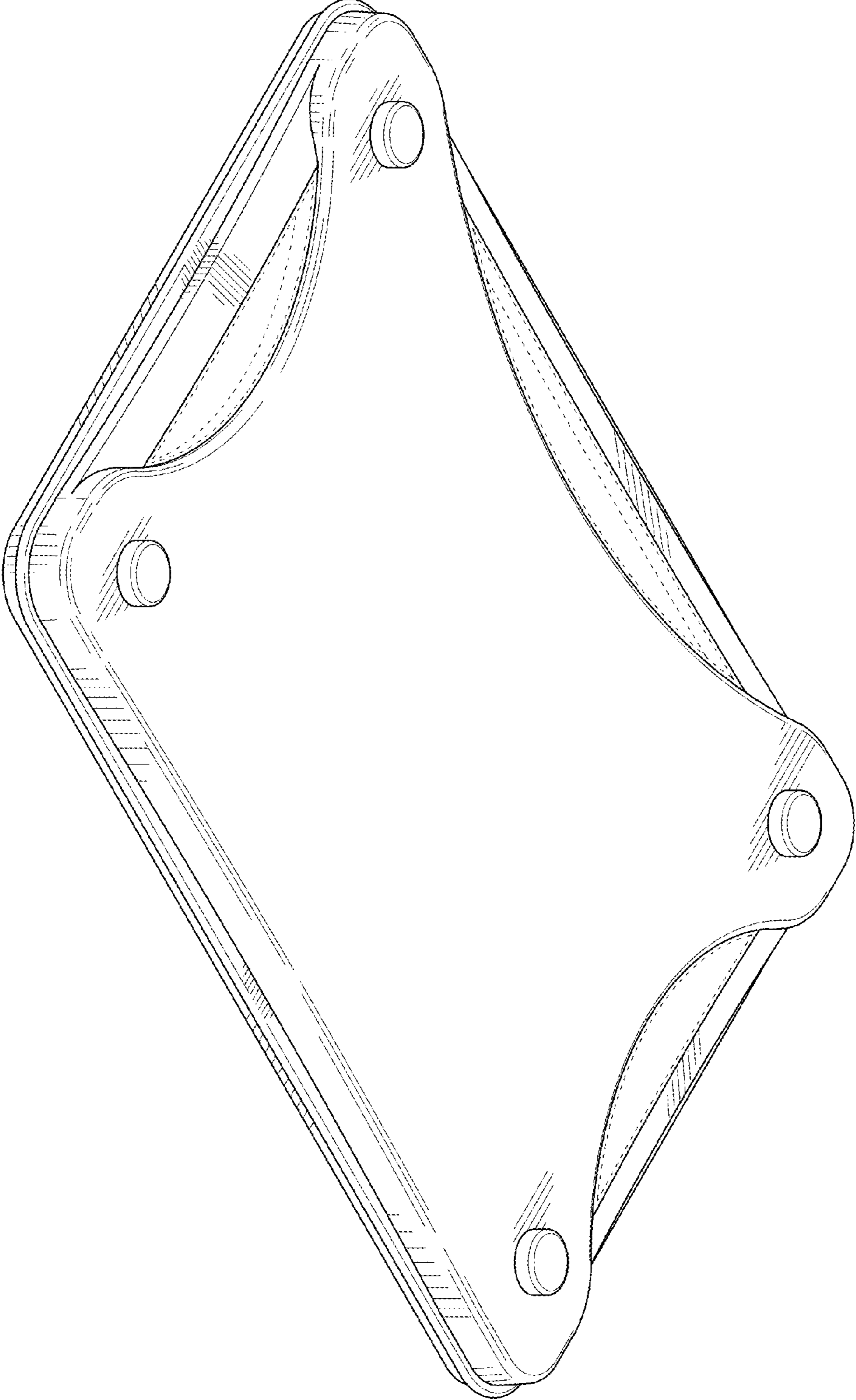


FIG. 2

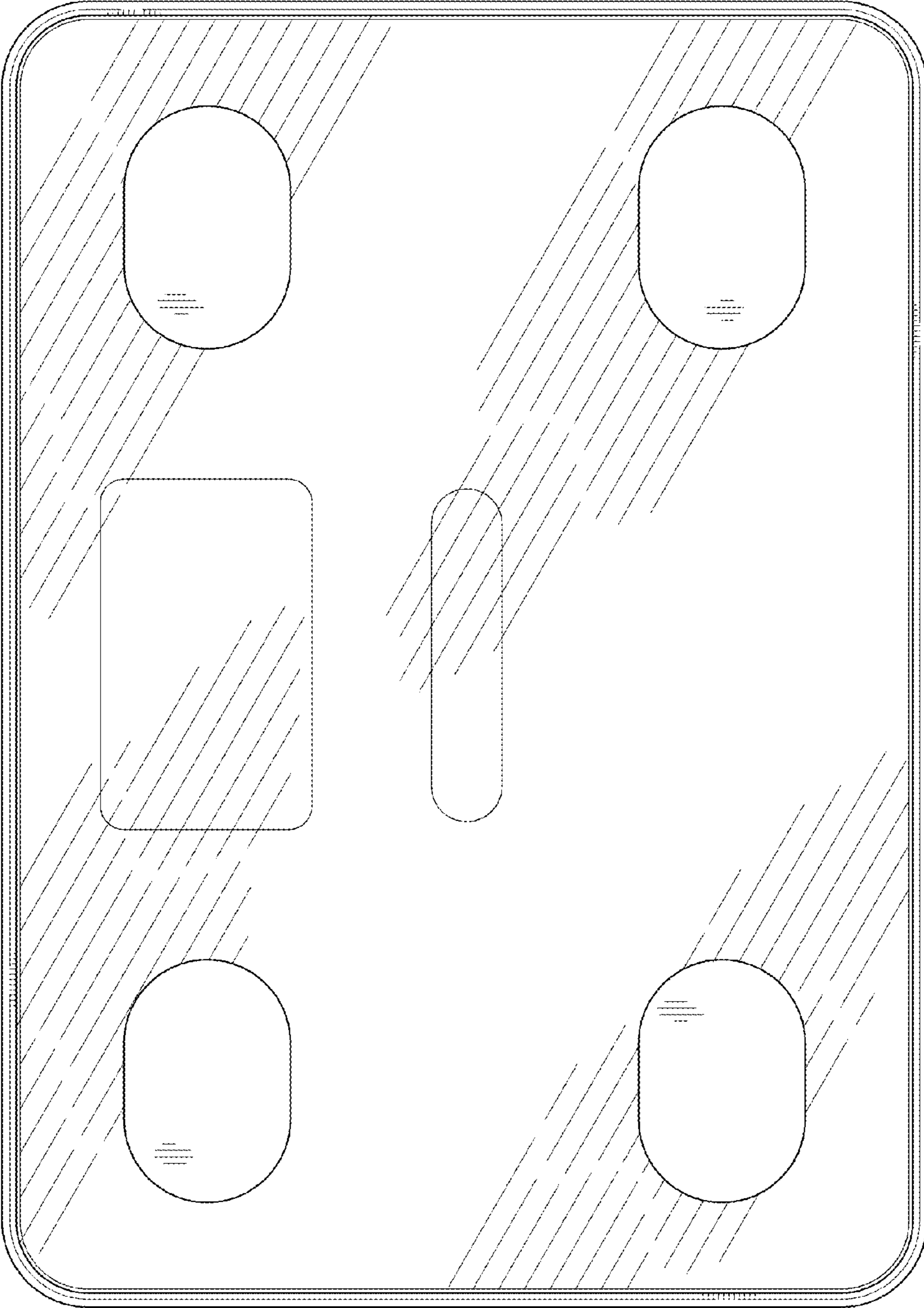


FIG. 3

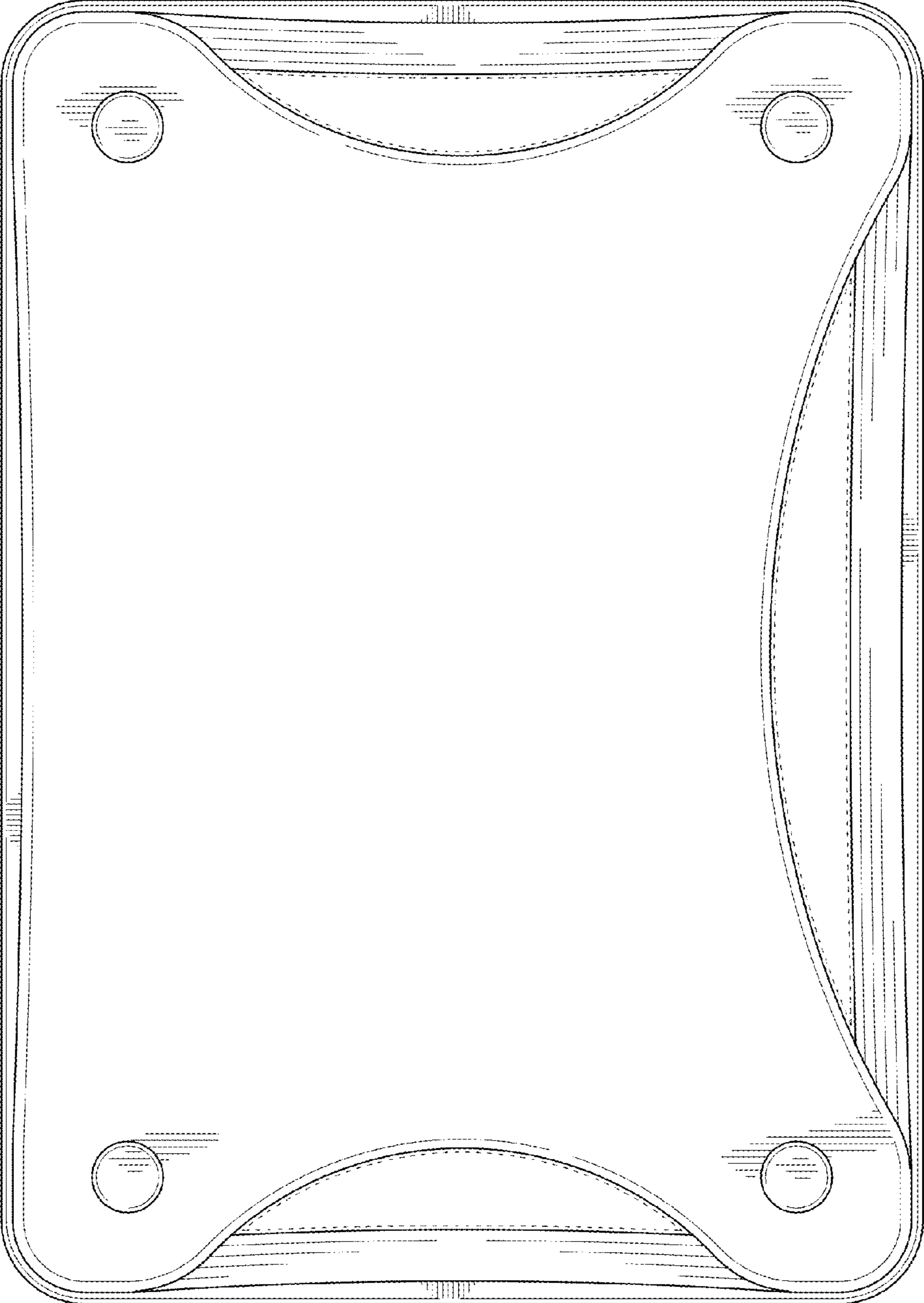


FIG. 4

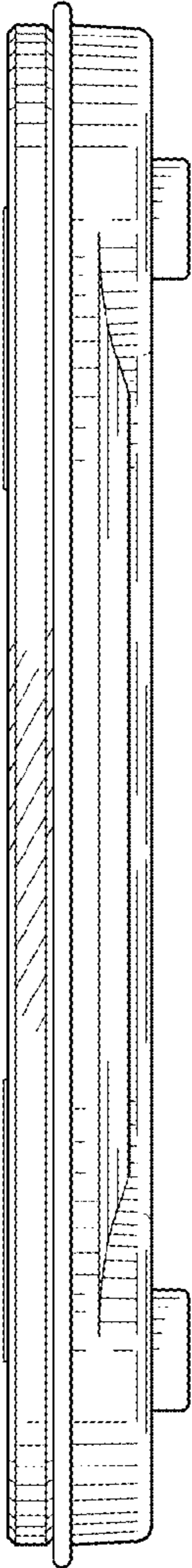


FIG. 5

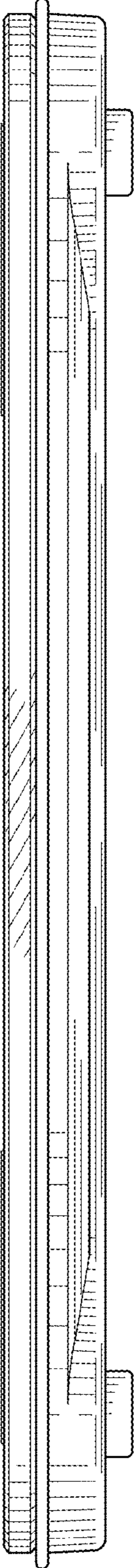


FIG. 6

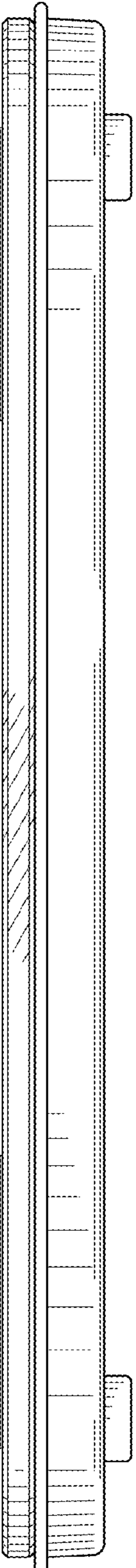


FIG. 7