



US00D718161S

(12) **United States Design Patent**  
**Derr**

(10) **Patent No.:** **US D718,161 S**

(45) **Date of Patent:** **\*\* Nov. 25, 2014**

(54) **PORTABLE MEASUREMENT DEVICE**

(71) Applicant: **Testo AG**, Lenzkirch (DE)

(72) Inventor: **Andreas Derr**, Degernau (DE)

(73) Assignee: **Testo AG**, Lenzkirch (DE)

(\*\*) Term: **14 Years**

(21) Appl. No.: **29/445,797**

(22) Filed: **Feb. 15, 2013**

(30) **Foreign Application Priority Data**

Aug. 23, 2012 (EM) ..... 002091447

(51) **LOC (10) Cl.** ..... **10-04**

(52) **U.S. Cl.**

USPC ..... **D10/81; D10/78**

(58) **Field of Classification Search**

CPC ..... G01D 11/24; G01N 27/16; G01N 27/18;  
G01N 27/185; G01N 33/0009; G01N 33/005;  
G01N 33/0047; G01N 33/0031; G01N 1/24;  
G01N 1/2205; G01N 2001/2276

USPC ..... D10/46, 78, 81; 73/1.01–1.07,  
73/23.2–23.29, 23.31–31.07, 31.05,  
73/35.01–35.13, 431, 901

See application file for complete search history.

(56) **References Cited**

U.S. PATENT DOCUMENTS

6,987,459	B2 *	1/2006	Tice	.....	340/632
D518,397	S *	4/2006	Sydowski et al.	.....	D10/81
D520,888	S *	5/2006	Sydowski et al.	.....	D10/81
7,178,381	B2 *	2/2007	Tajima et al.	.....	73/31.02
D558,621	S *	1/2008	Rich et al.	.....	D10/78
D560,129	S *	1/2008	Rich et al.	.....	D10/78
7,802,472	B1 *	9/2010	Richer et al.	.....	73/431
7,946,171	B2 *	5/2011	Meinecke et al.	.....	73/431
8,072,737	B2 *	12/2011	Glover	.....	361/679.01

\* cited by examiner

*Primary Examiner* — Antoine D Davis

(74) *Attorney, Agent, or Firm* — Jonathan A. Kidney;  
TechLaw, LLP

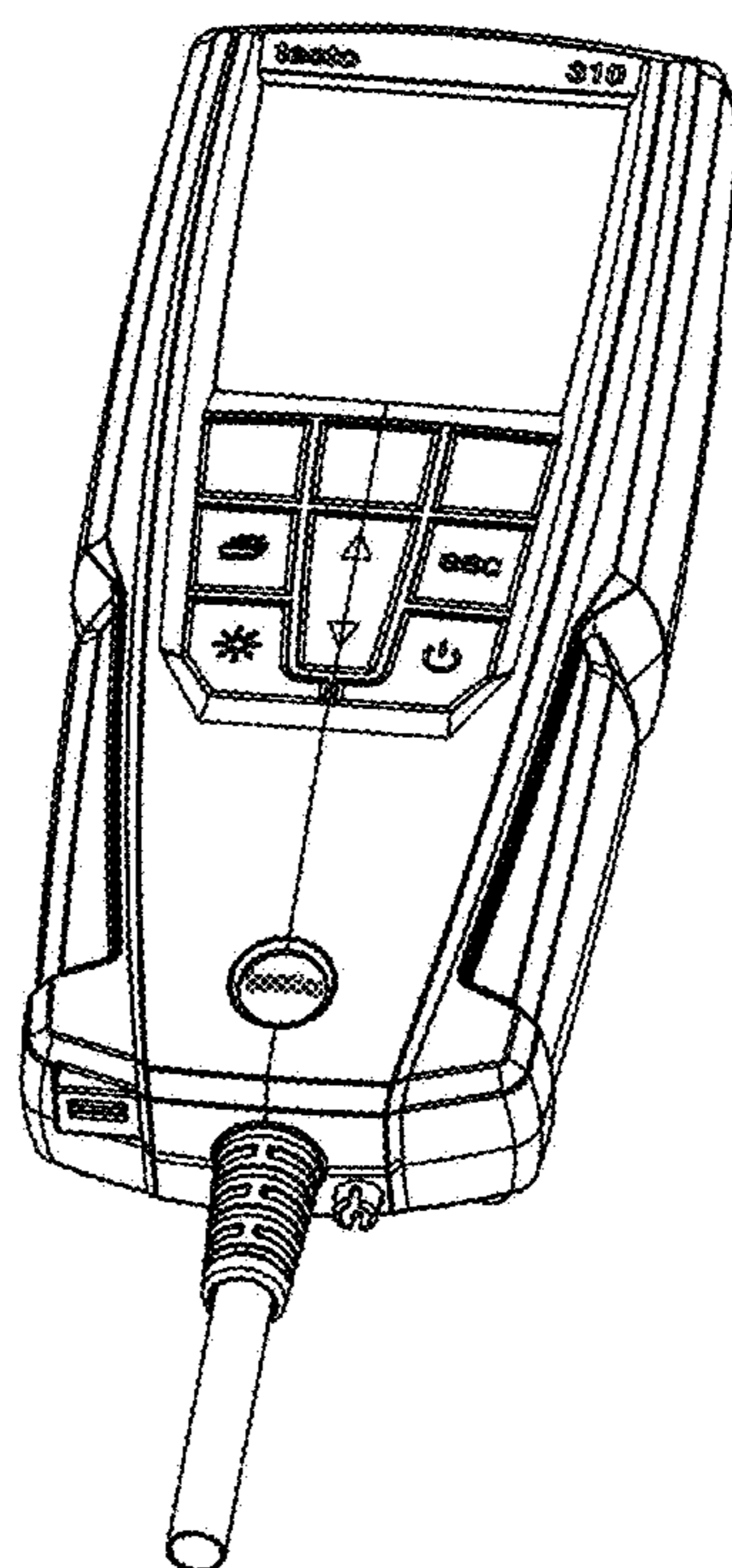
(57) **CLAIM**

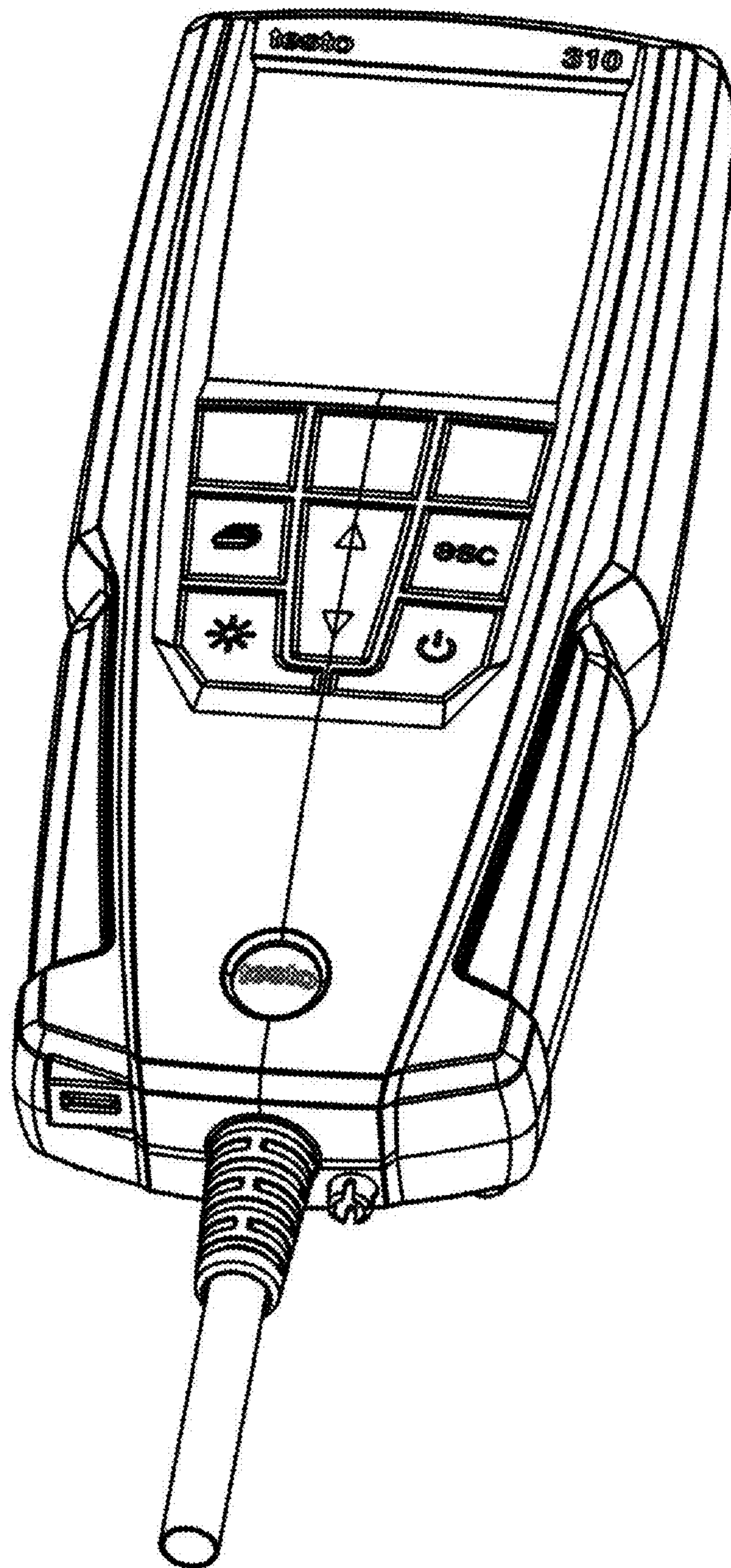
The ornamental design for a portable measurement device, as shown and described.

**DESCRIPTION**

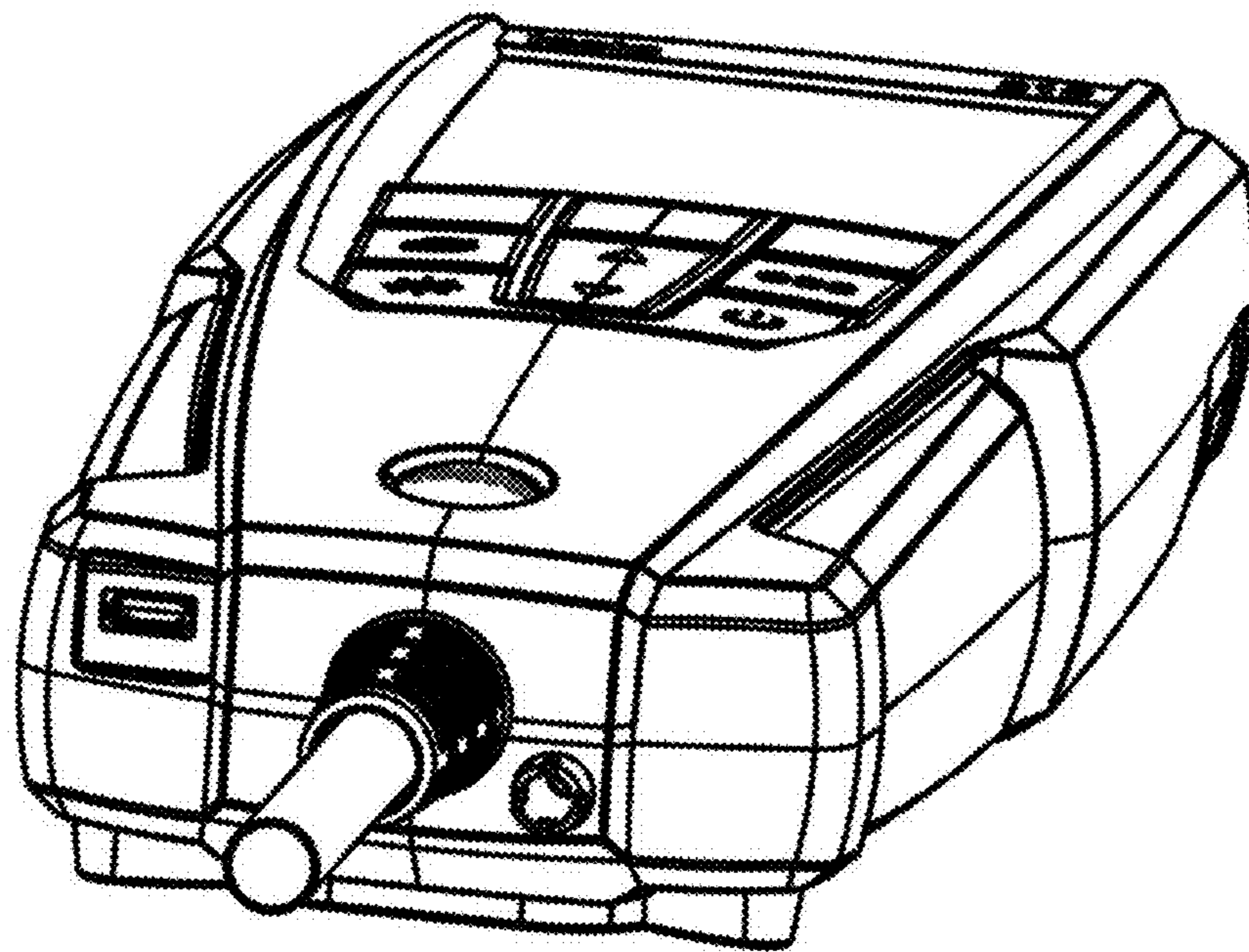
FIG. 1 is a perspective top view of one embodiment of a portable measurement device showing my new design; FIG. 2 is a perspective front view thereof; FIG. 3 is a perspective bottom view thereof; FIG. 4 is a top plan view thereof; FIG. 5 is a side plan view thereof; FIG. 6 is a front plan view thereof; and, FIG. 7 is a back plan view thereof.

**1 Claim, 7 Drawing Sheets**

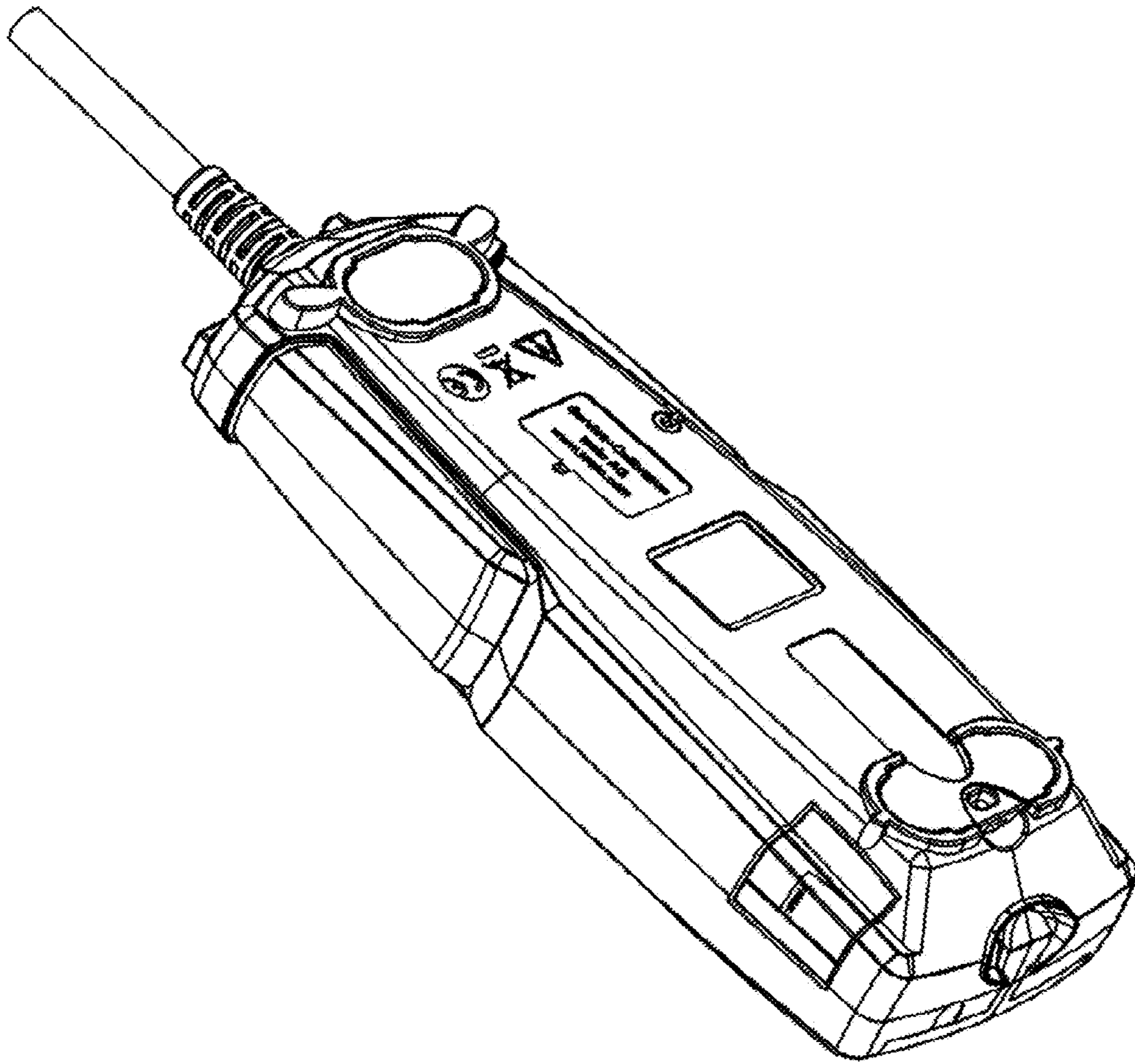




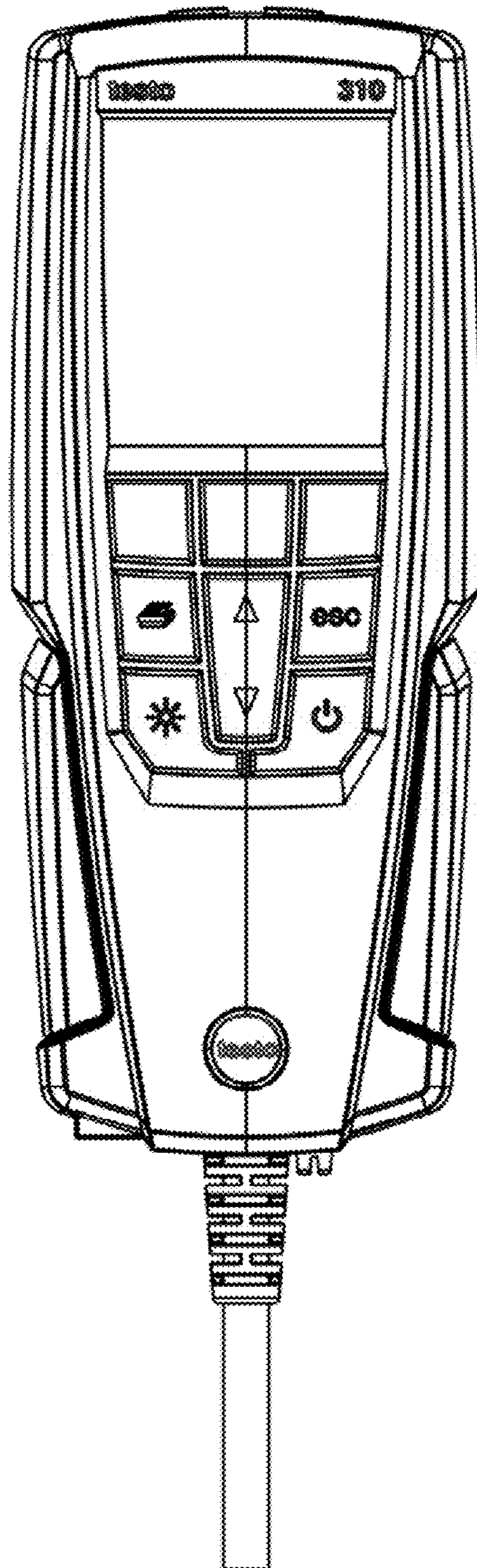
**FIG. 1**



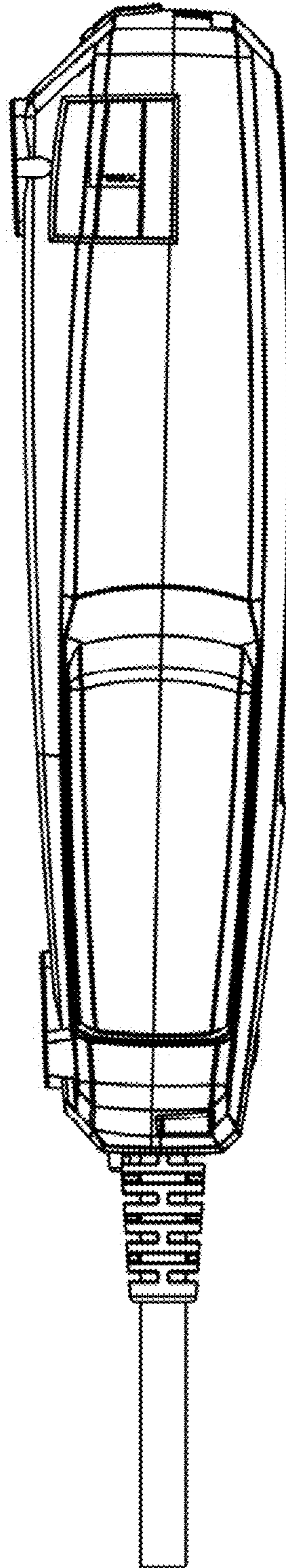
**FIG. 2**



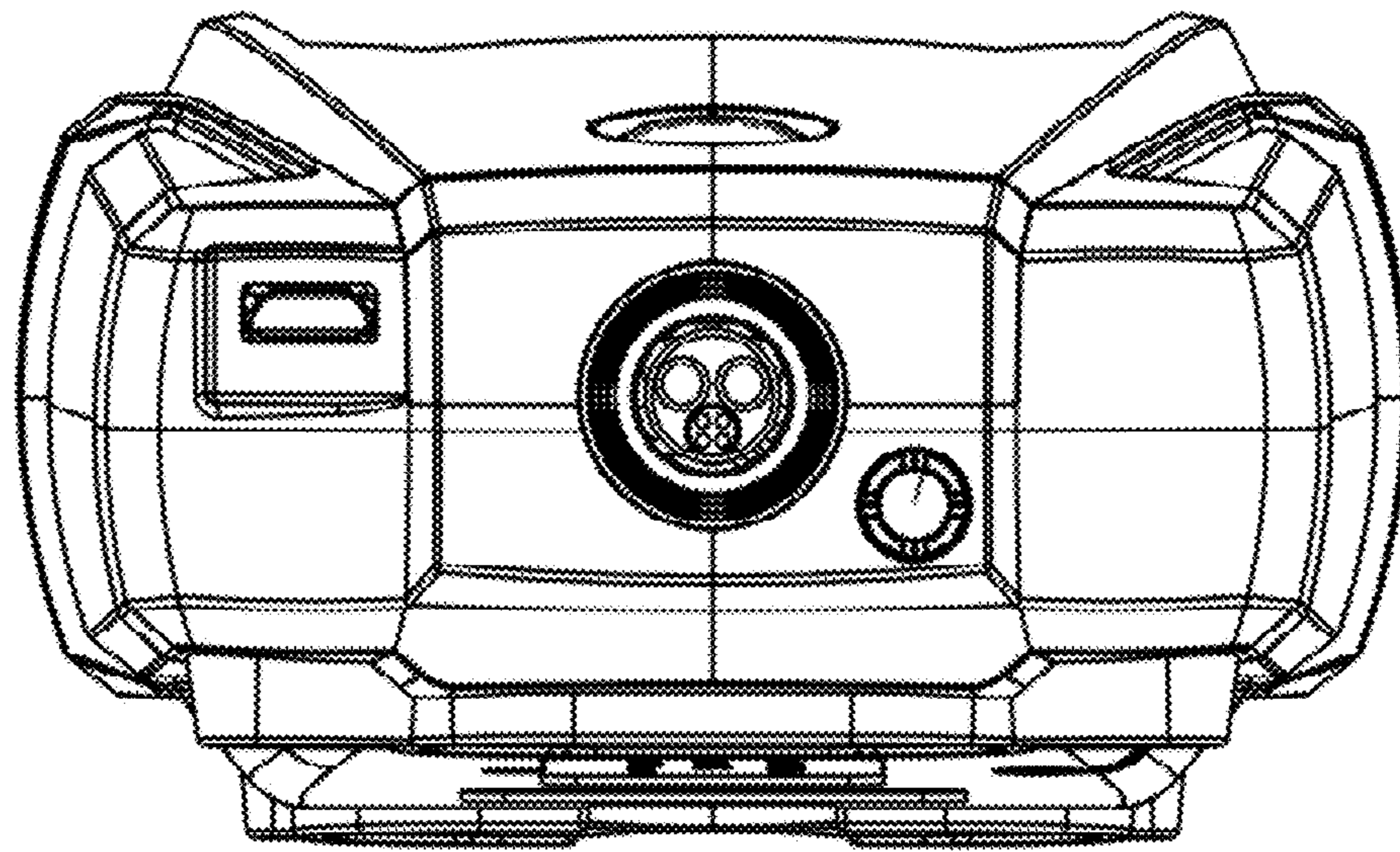
**FIG. 3**



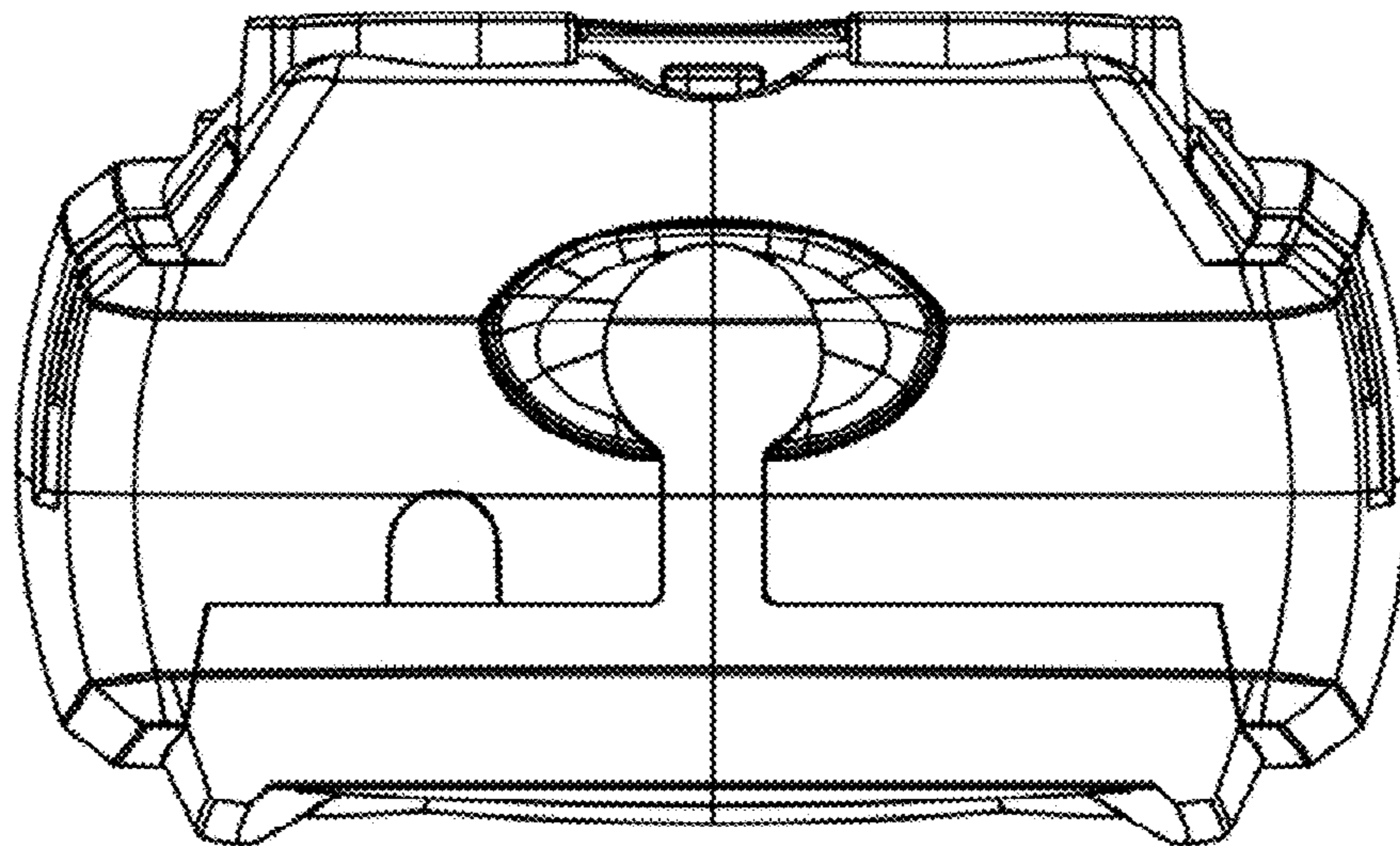
**FIG. 4**



**FIG. 5**



**FIG. 6**



**FIG. 7**