



US00D718158S

(12) **United States Design Patent**
Gold et al.

(10) **Patent No.:** **US D718,158 S**

(45) **Date of Patent:** **** Nov. 25, 2014**

(54) **ELECTRONIC THERMOMETER**

(56) **References Cited**

(71) Applicants: **Jonathan Morris Gold**, London (GB);
Daniel Jason Tyler, London (GB)

U.S. PATENT DOCUMENTS

(72) Inventors: **Jonathan Morris Gold**, London (GB);
Daniel Jason Tyler, London (GB)

D557,622 S * 12/2007 Thompson D10/57
D588,480 S * 3/2009 Gold et al. D10/57
D666,929 S * 9/2012 Tyler D10/57

(**) Term: **14 Years**

* cited by examiner

(21) Appl. No.: **29/467,518**

Primary Examiner — Antoine D Davis

(22) Filed: **Sep. 20, 2013**

(57) **CLAIM**

The ornamental design for an electronic thermometer, as shown.

(51) **LOC (10) Cl.** **10-04**

(52) **U.S. Cl.**
USPC **D10/57**

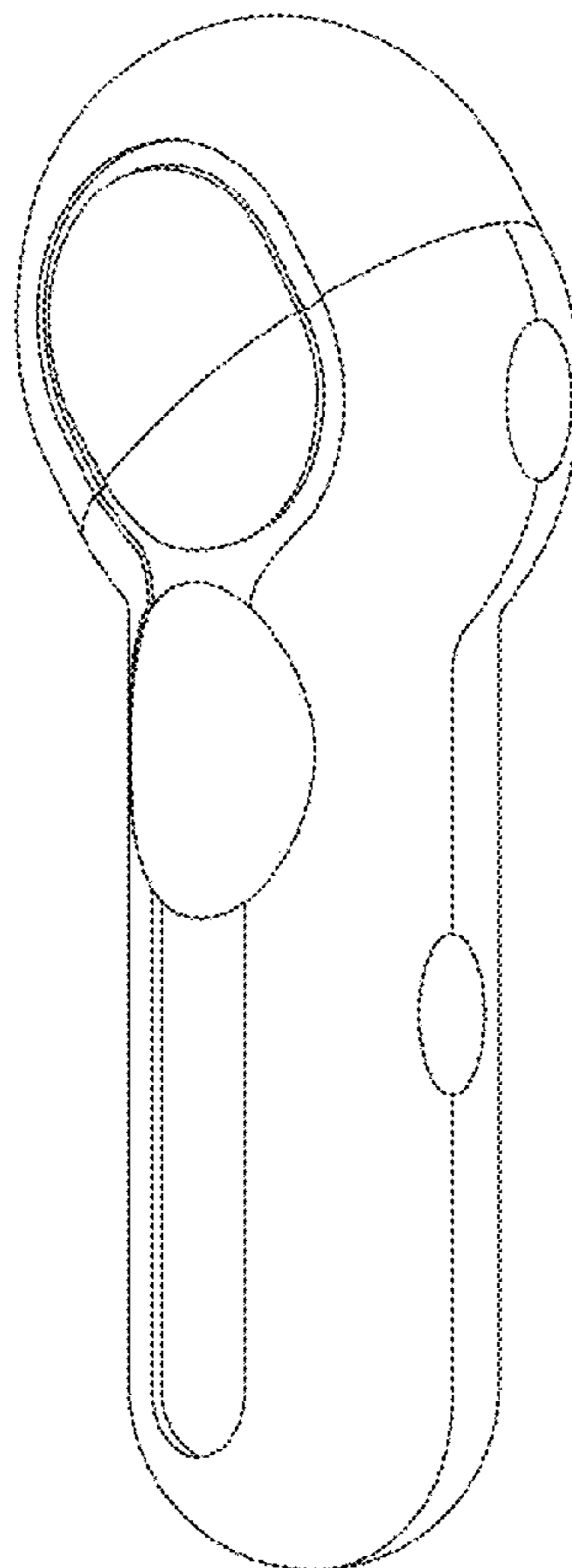
DESCRIPTION

(58) **Field of Classification Search**
CPC G01J 5/061; G01J 5/0843; G01J 5/0846;
G01J 5/0859; G01J 5/089; G01J 5/0896;
G01J 5/048; G01J 5/16; G01J 5/522; G01J
5/0205; G01J 5/0887; G01J 5/0003; G01J
5/0275; G01J 5/084; G01J 5/0834; G01J 5/12;
G01J 5/14
USPC D10/57; 374/1-209, E1.011-E1.017;
600/474, 549

FIG. 1 is a perspective view of an electronic thermometer showing our new design;
FIG. 2 is a first side elevational view thereof;
FIG. 3 is a second side elevational view thereof rotated by 180° relative to the first side elevational view of FIG. 2;
FIG. 4 is a front elevational view thereof;
FIG. 5 is a rear elevational view thereof;
FIG. 6 is a top plan view thereof; and,
FIG. 7 is a bottom plan view thereof.

See application file for complete search history.

1 Claim, 7 Drawing Sheets



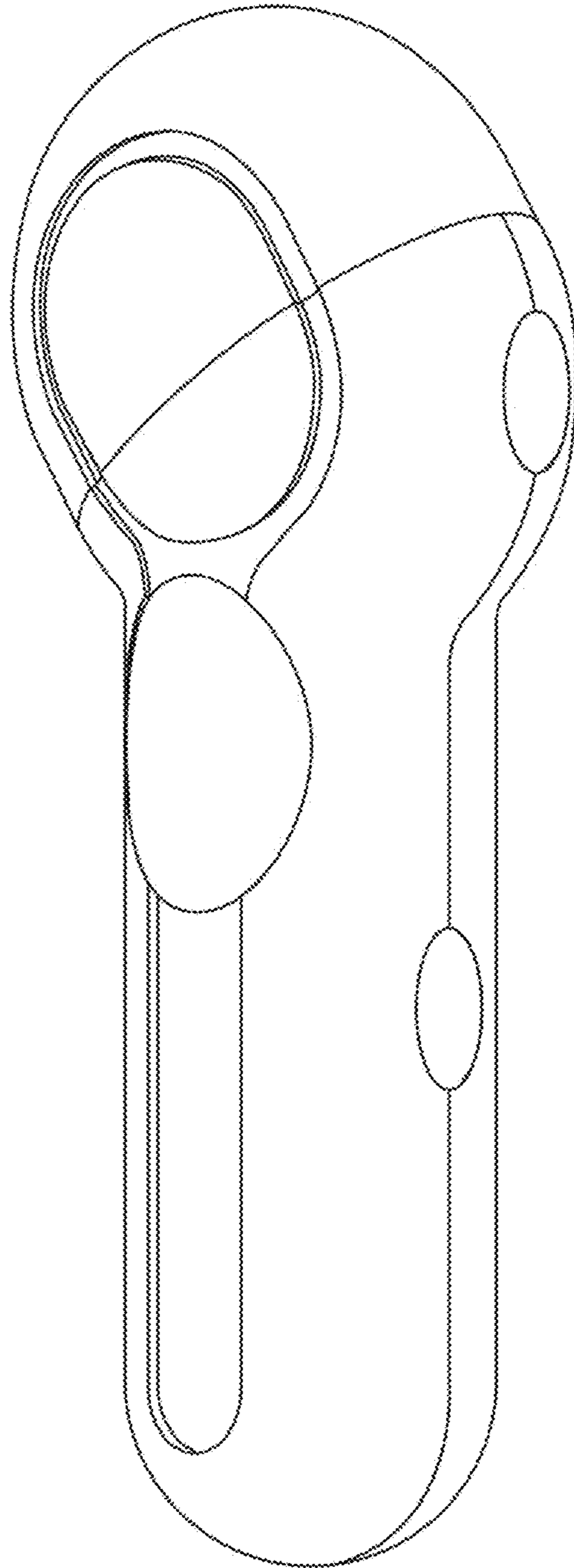


Fig.1

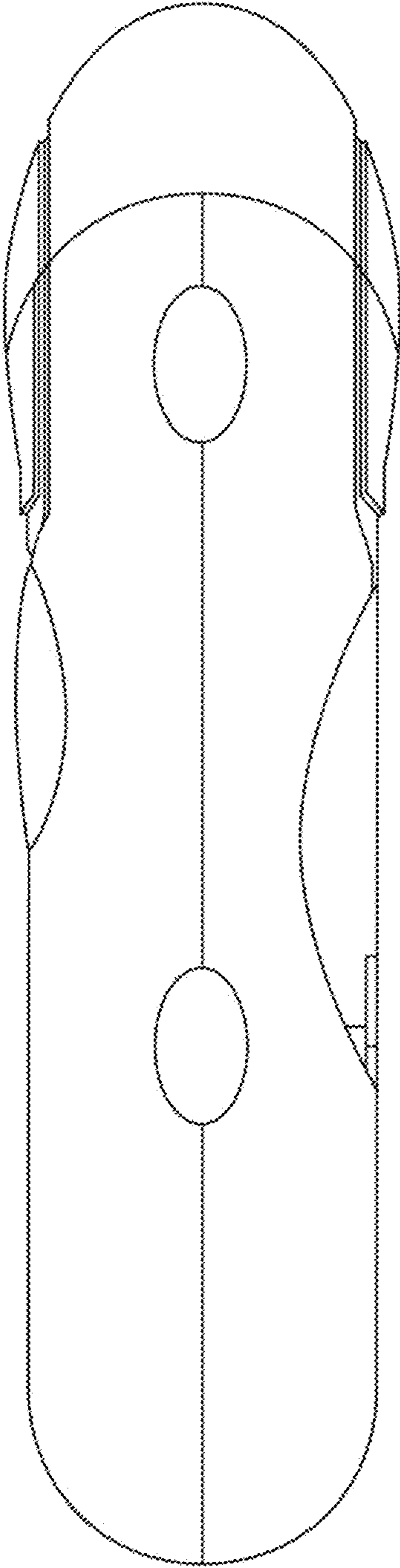


Fig.2

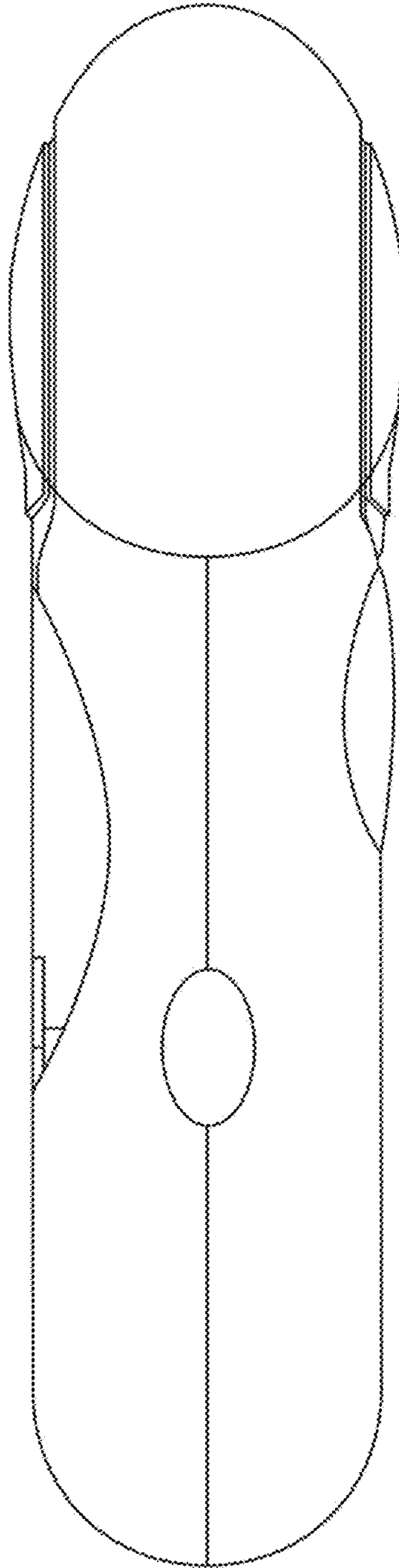


Fig.3

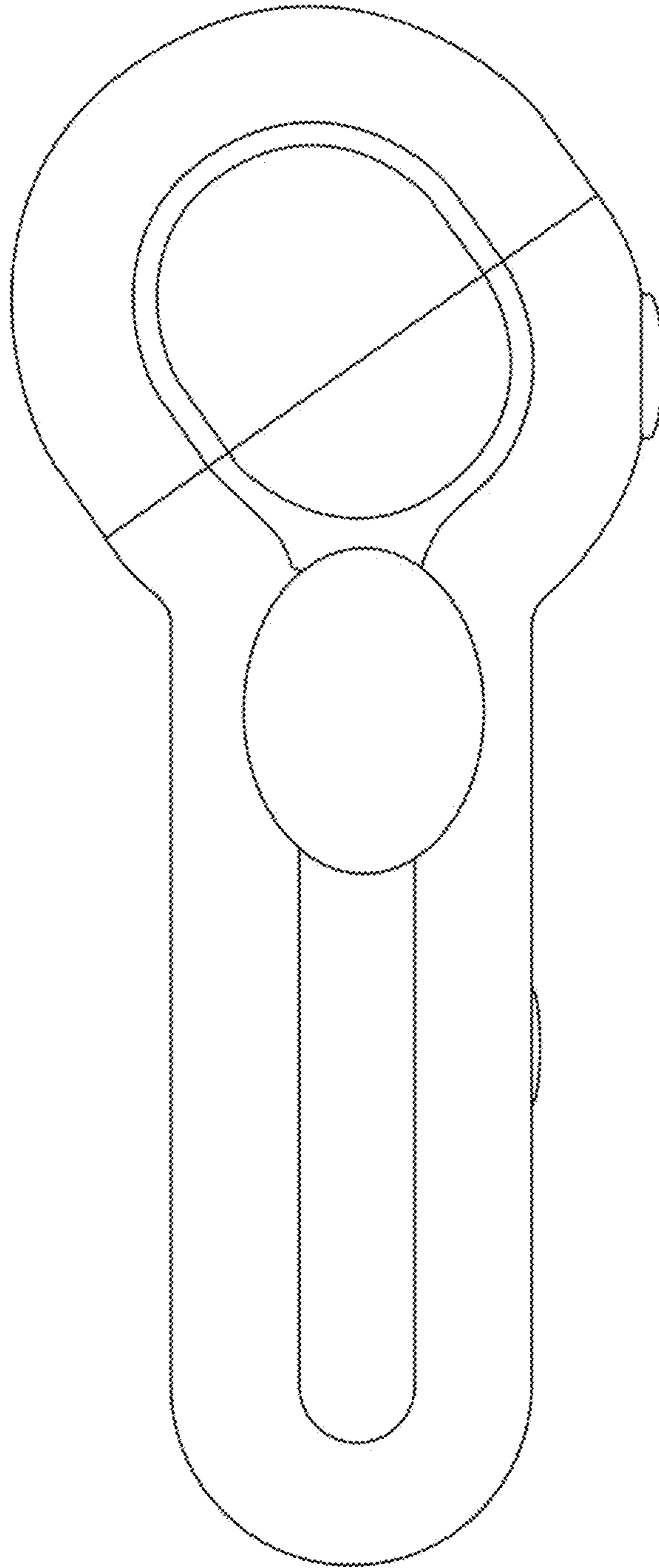


Fig.4

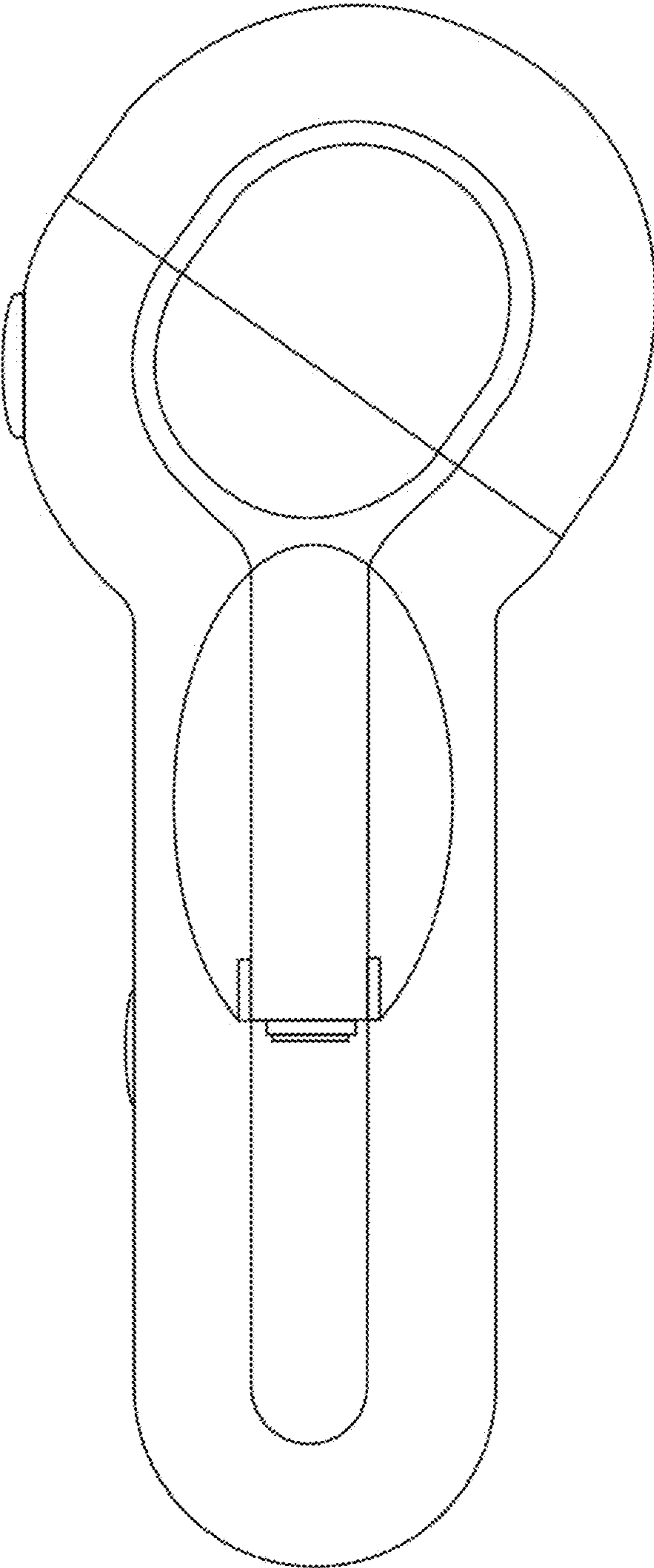


Fig.5

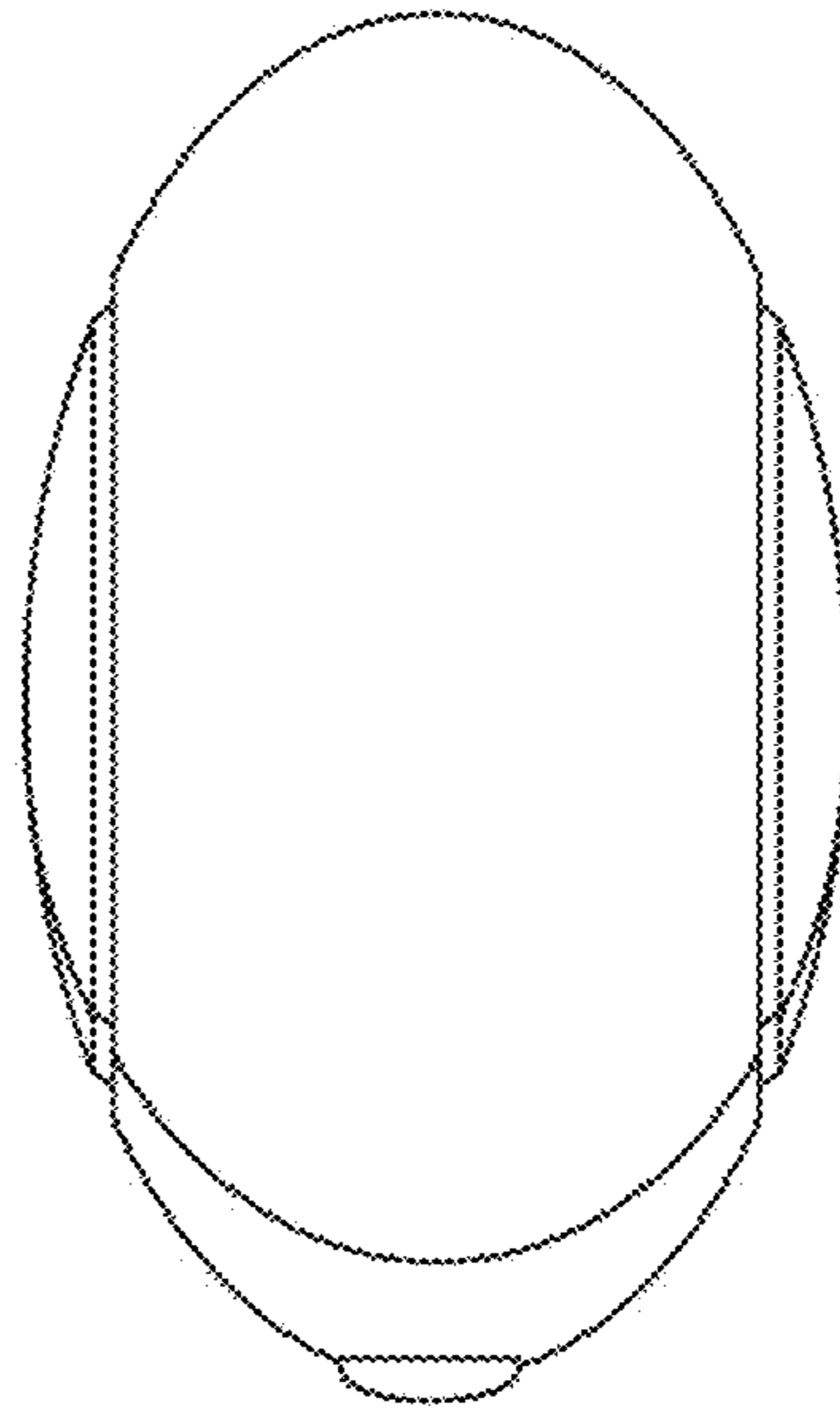


Fig.6

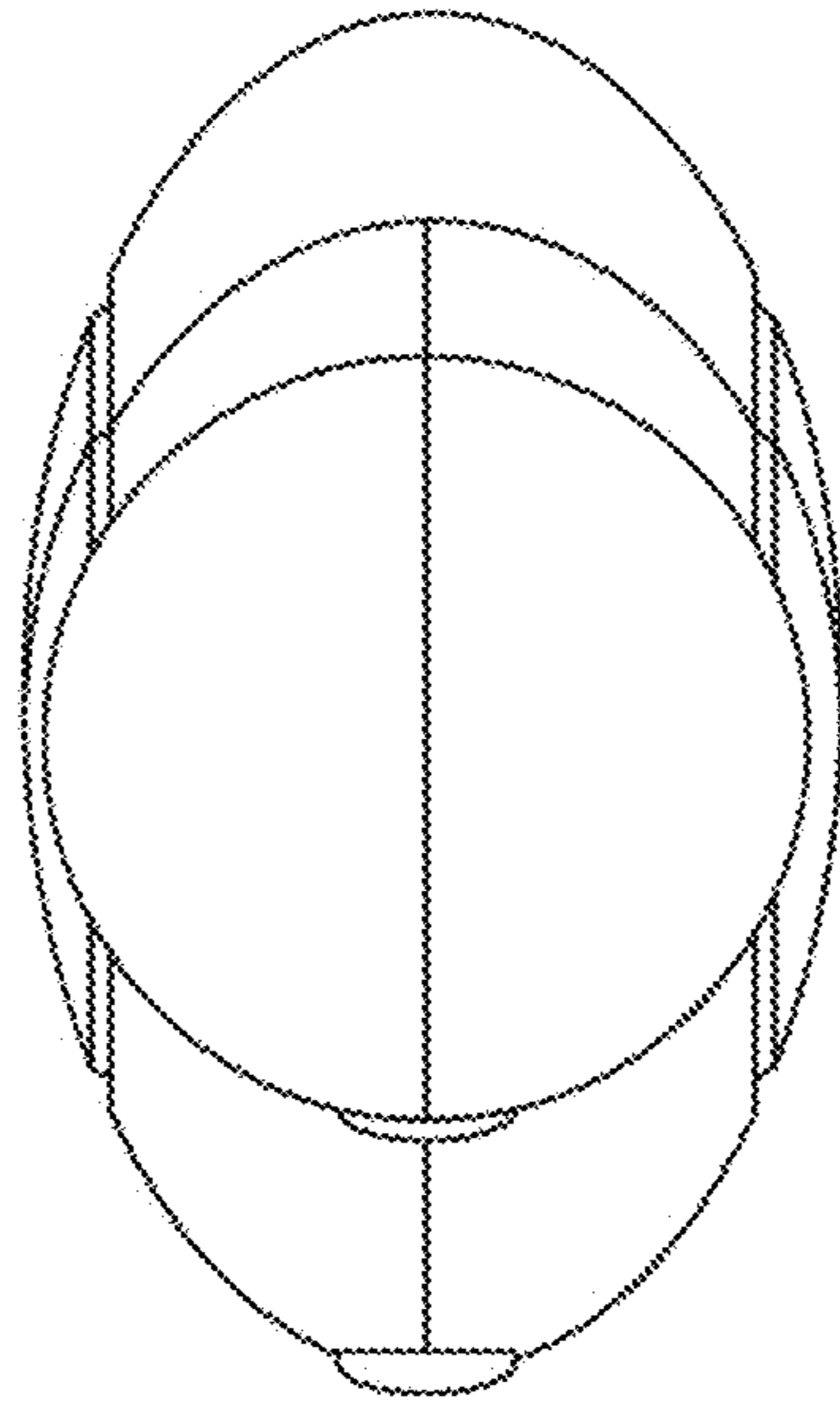


Fig.7