



US00D718156S

(12) **United States Design Patent**
Demetrescu et al.

(10) **Patent No.:** **US D718,156 S**
(45) **Date of Patent:** **** Nov. 25, 2014**

(54) **VEHICLE SCANNER**
(71) Applicant: **Intuitive Intelligent Systems LLC**,
Pickerington, OH (US)
(72) Inventors: **Bogdan Radu Demetrescu**,
Pickerington, OH (US); **Constantin**
Ovidiu Ilie, Bucharest (RO); **Catalin**
Victor Bartis, Bucharest (RO)
(73) Assignee: **Intuitive Intelligent Systems, LLC**,
Pickerington, OH (US)

7,742,568 B2 * 6/2010 Smith 378/98.11
7,769,133 B2 * 8/2010 Carver et al. 378/57
7,783,004 B2 * 8/2010 Kotowski et al. 378/57
7,819,580 B2 * 10/2010 Song et al. 378/189
8,116,431 B2 * 2/2012 Smith 378/98.11
8,472,583 B2 * 6/2013 Star-Lack et al. 378/57

* cited by examiner

Primary Examiner — Antoine D Davis
(74) *Attorney, Agent, or Firm* — Standley Law Group LLP

(**) Term: **14 Years**
(21) Appl. No.: **29/457,230**
(22) Filed: **Jun. 7, 2013**
(51) **LOC (10) Cl.** **10-04**
(52) **U.S. Cl.**
USPC **D10/47; D10/104.1**
(58) **Field of Classification Search**
CPC G01N 23/02; G01N 23/04; G01N 23/087;
G01N 2223/424; G01V 5/005; G01V 5/0041;
G01V 5/0008; G01V 5/0066
USPC D10/47, 104.1; 378/4–27, 51–69,
378/98–98.12, 145–161, 189, 193–203
See application file for complete search history.

(57) **CLAIM**
The ornamental design for a vehicle scanner, as shown and described.

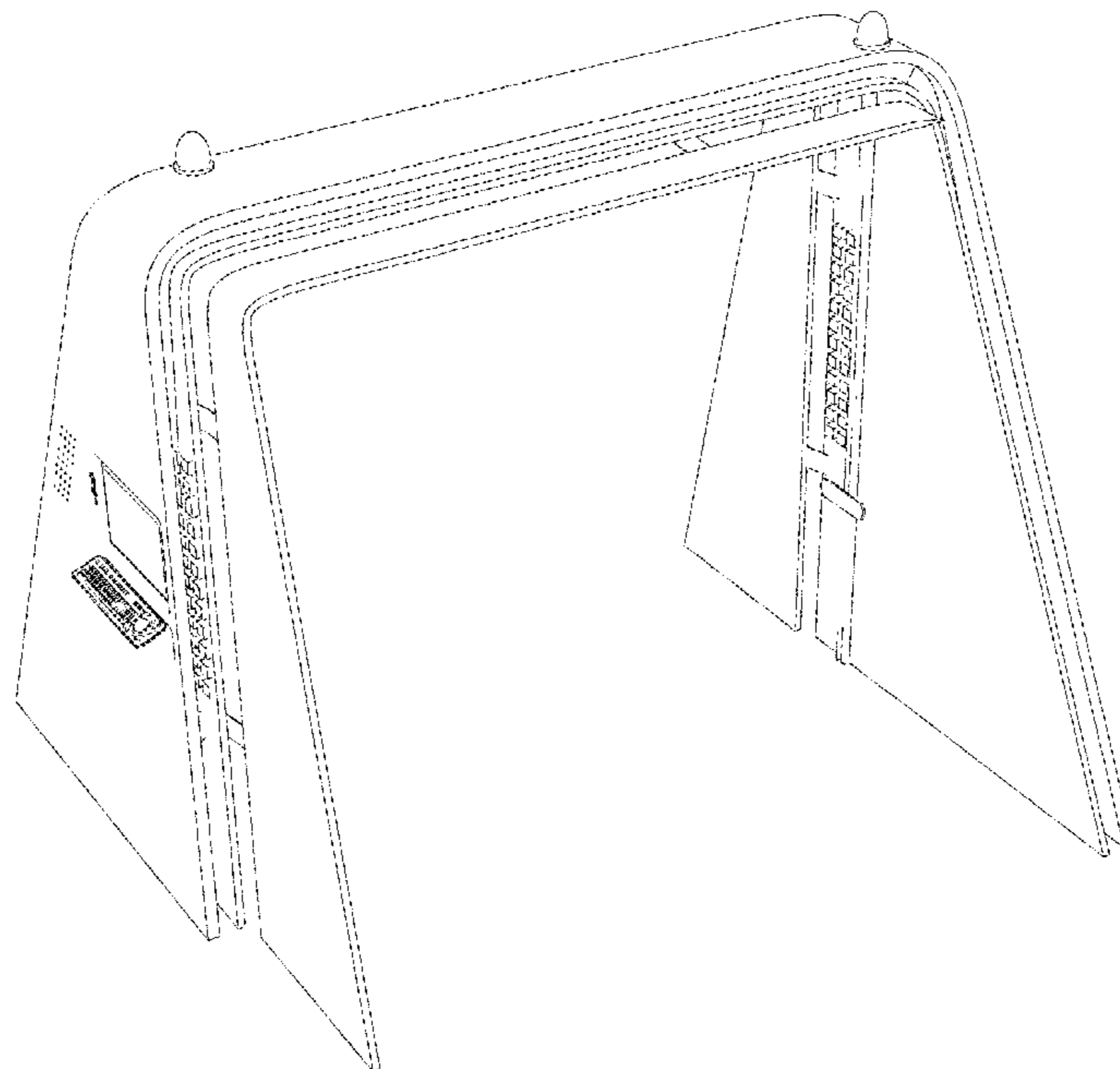
DESCRIPTION

FIG. 1 is a top plan view of a first embodiment of the vehicle scanner;
FIG. 2 is a left side perspective view of the FIG. 1 embodiment;
FIG. 3 is a left side elevation view of the FIG. 1 embodiment;
FIG. 4 is a front side elevation view of the FIG. 1 embodiment;
FIG. 5 is a top perspective view of the FIG. 1 embodiment;
FIG. 6 is a second left side perspective view of the FIG. 1 embodiment;
FIG. 7 is a left side plan view of the FIG. 1 embodiment;
FIG. 8 is a rear perspective view of the FIG. 1 embodiment;
FIG. 9 is a second left side perspective view of the FIG. 1 embodiment;
FIG. 10 is a third left side perspective view of the FIG. 1 embodiment; and,
FIG. 11 is a right side perspective view of the FIG. 1 embodiment.

Broken lining shows features of the vehicle scanner that are not considered to be part of the design.

1 Claim, 5 Drawing Sheets

(56) **References Cited**
U.S. PATENT DOCUMENTS
D465,284 S * 11/2002 Brown D25/1
D471,984 S * 3/2003 Dunshee et al. D24/189
7,483,510 B2 * 1/2009 Carver et al. 378/57
7,660,386 B2 * 2/2010 Meng et al. 378/57
7,663,109 B2 * 2/2010 Kang et al. 250/359.1



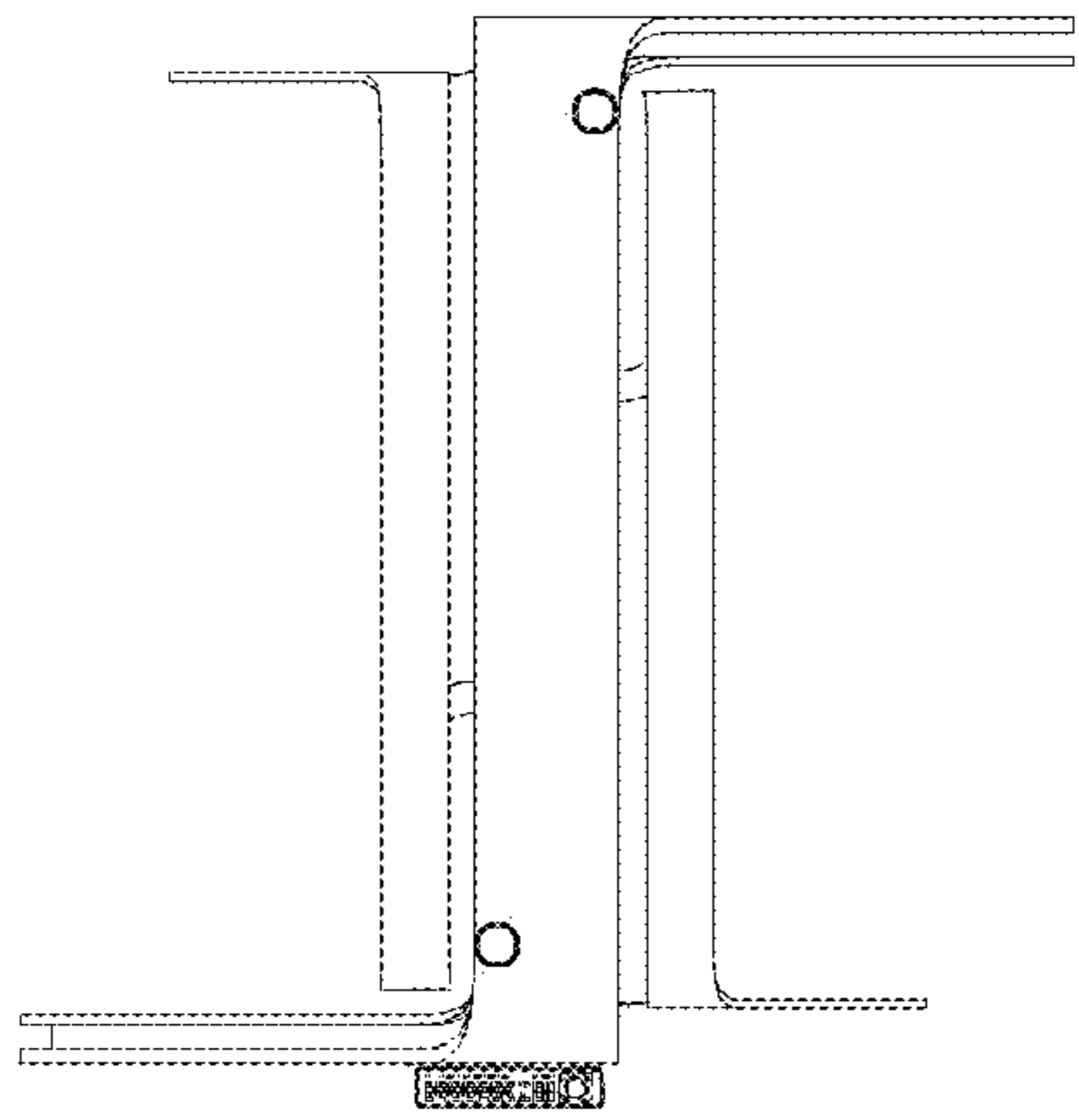


FIGURE 1

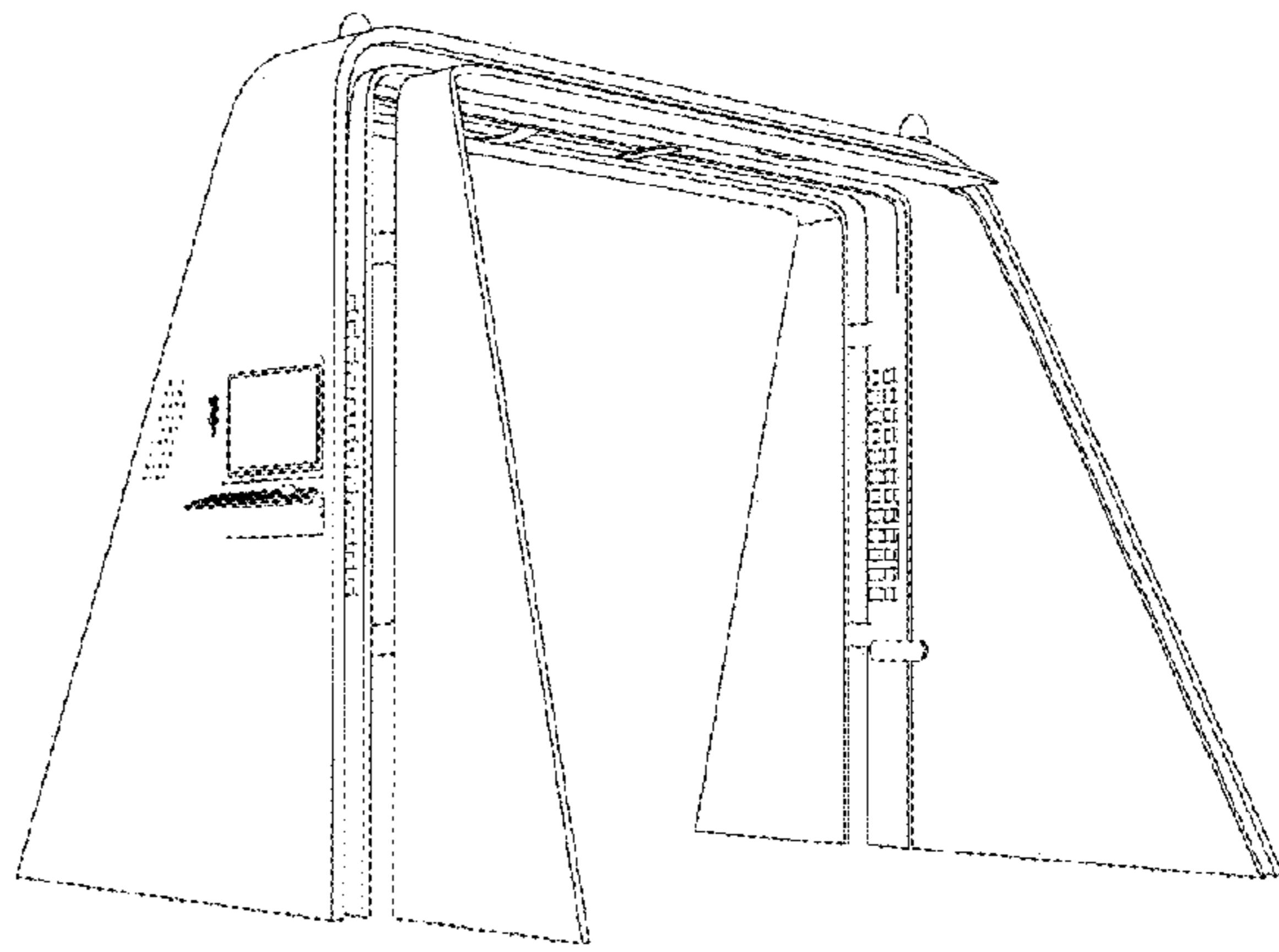


FIGURE 2

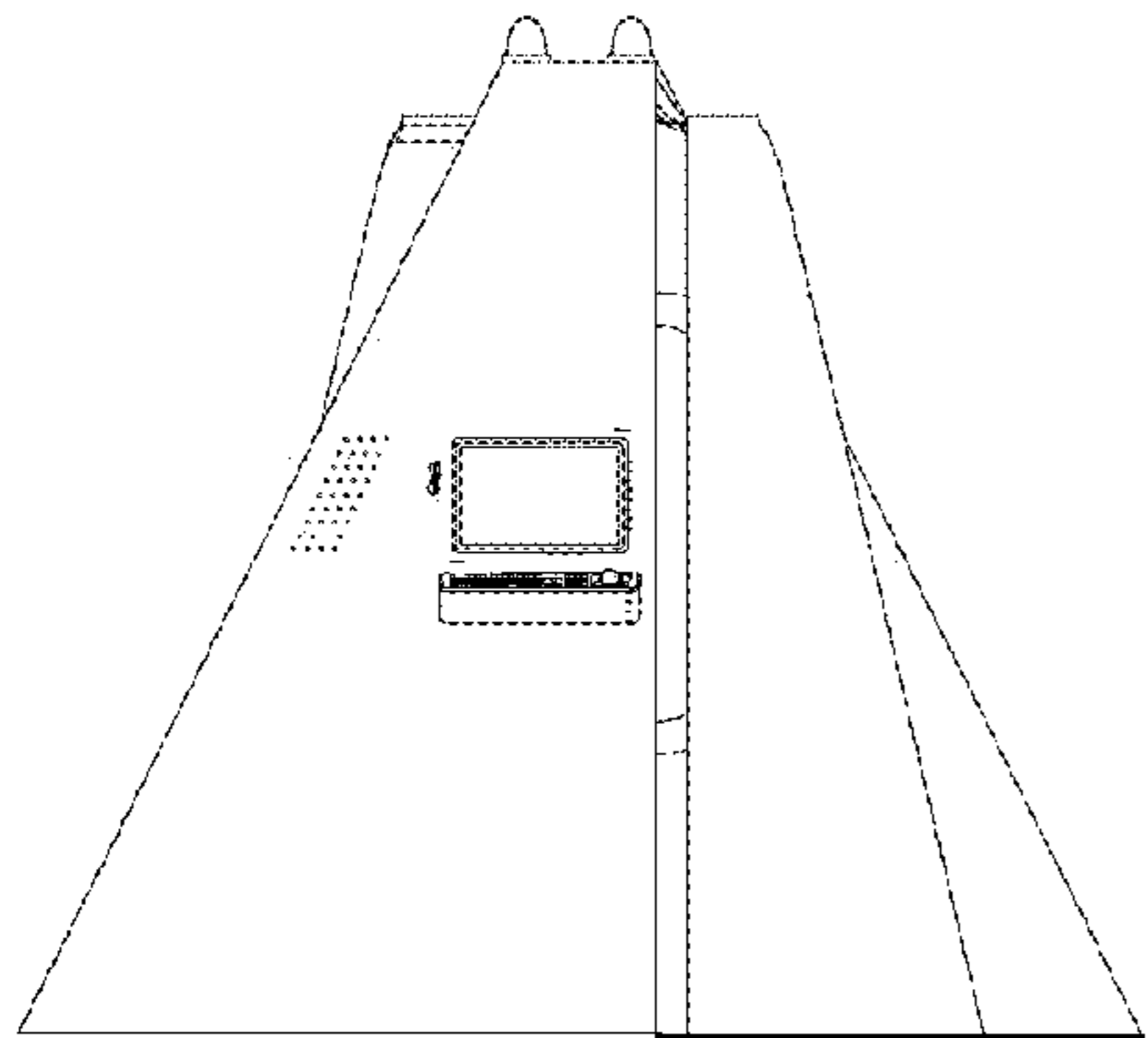


FIGURE 3

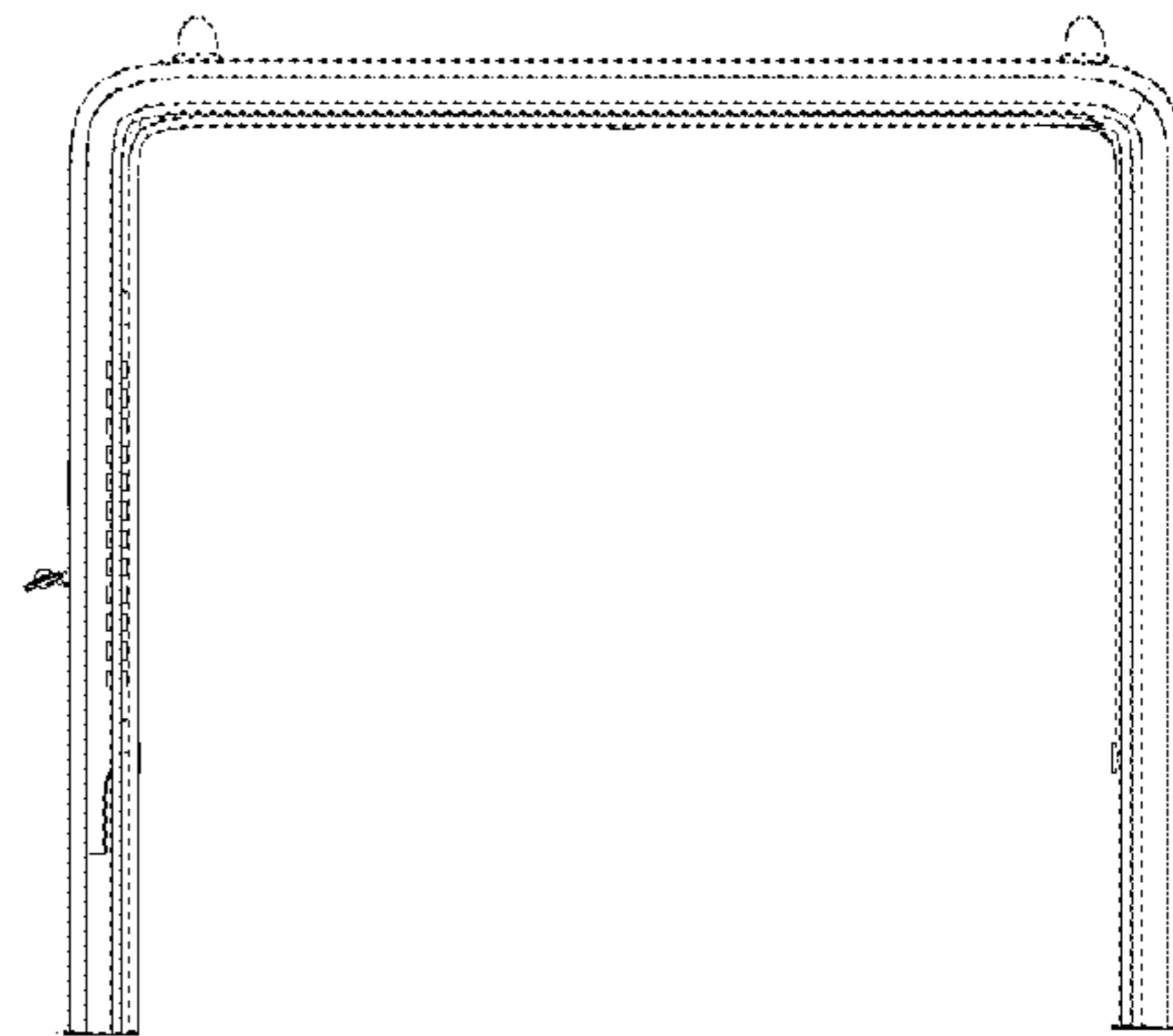


FIGURE 4

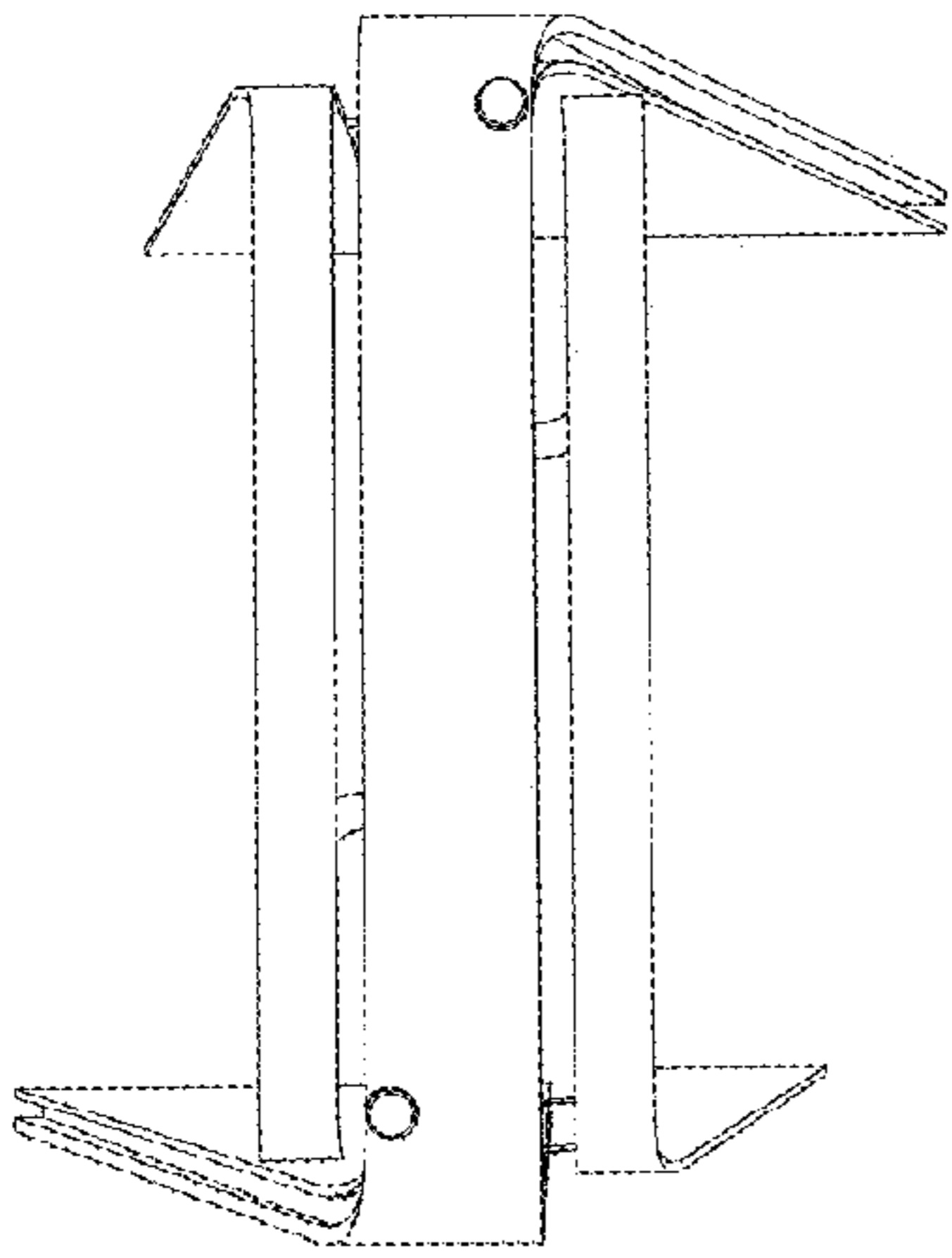


FIGURE 5

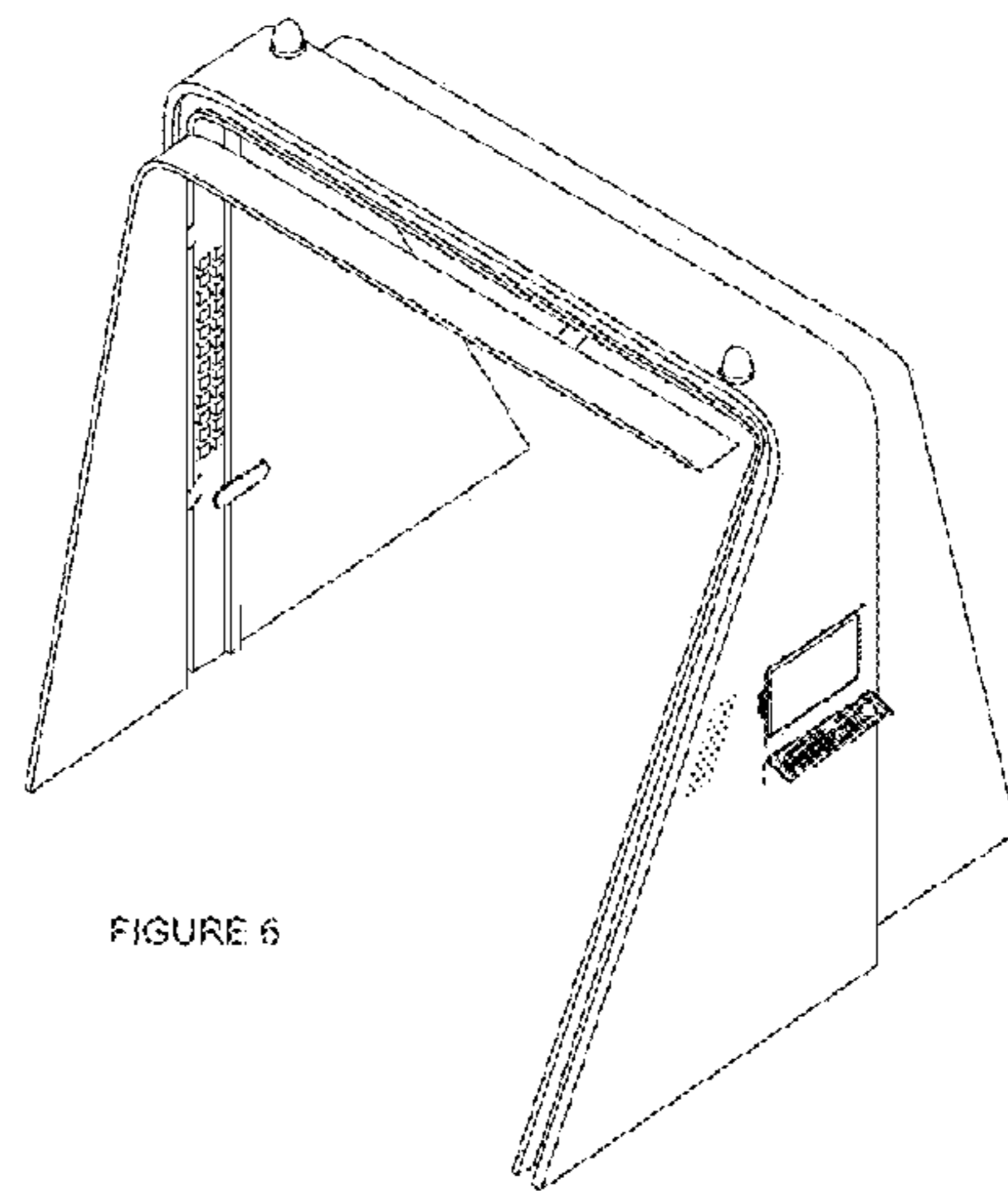


FIGURE 6

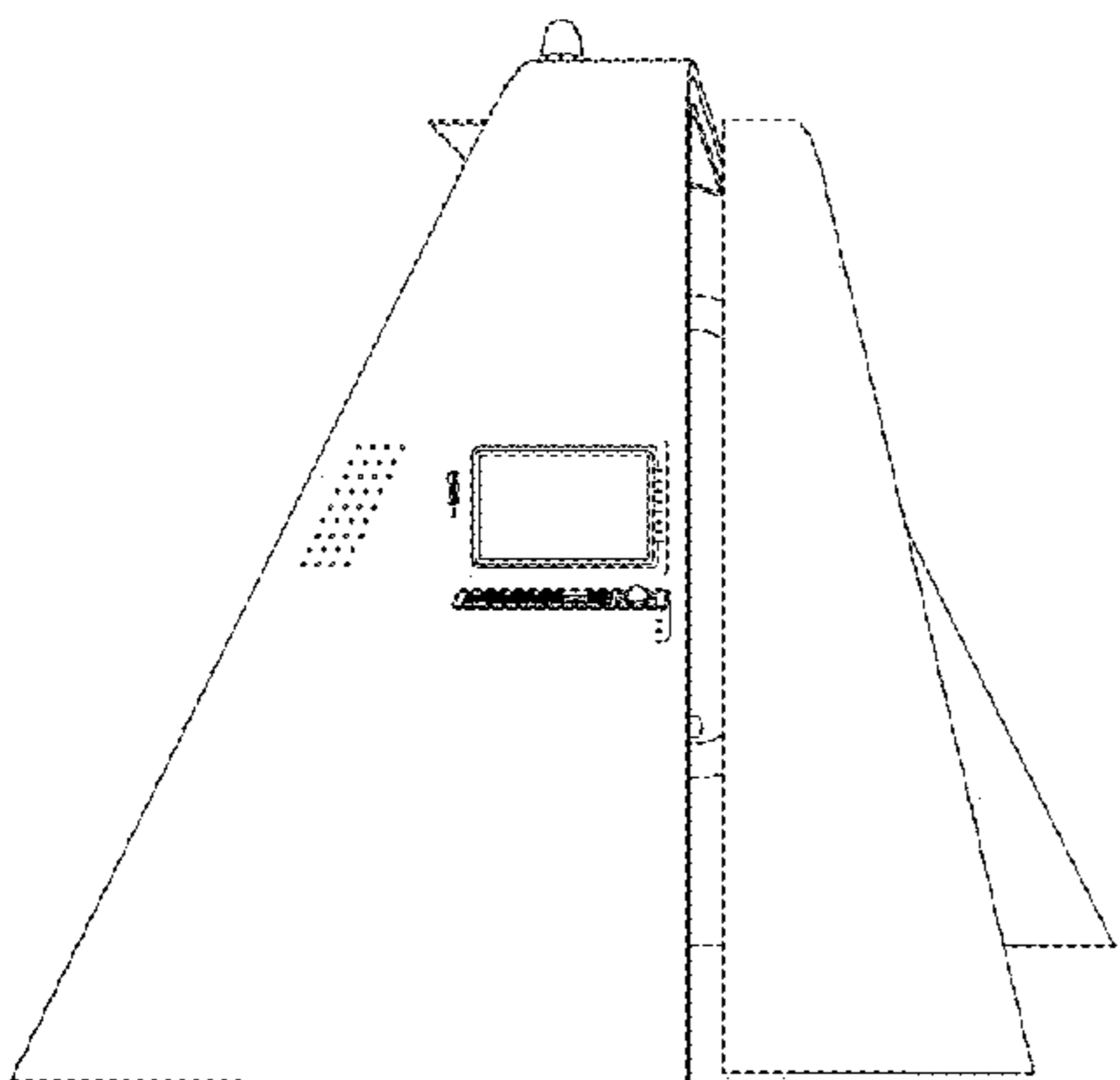


FIGURE 7

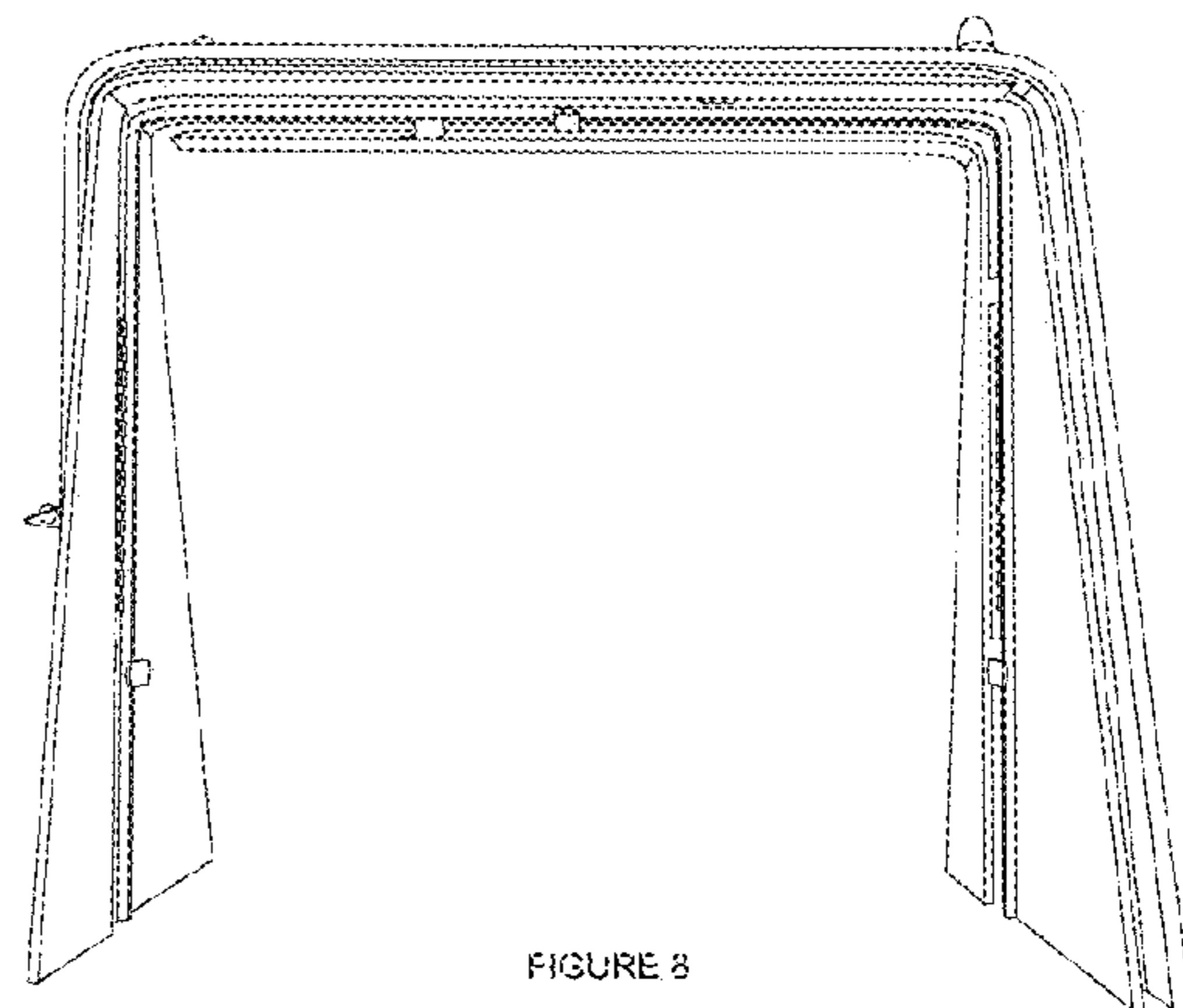


FIGURE 8

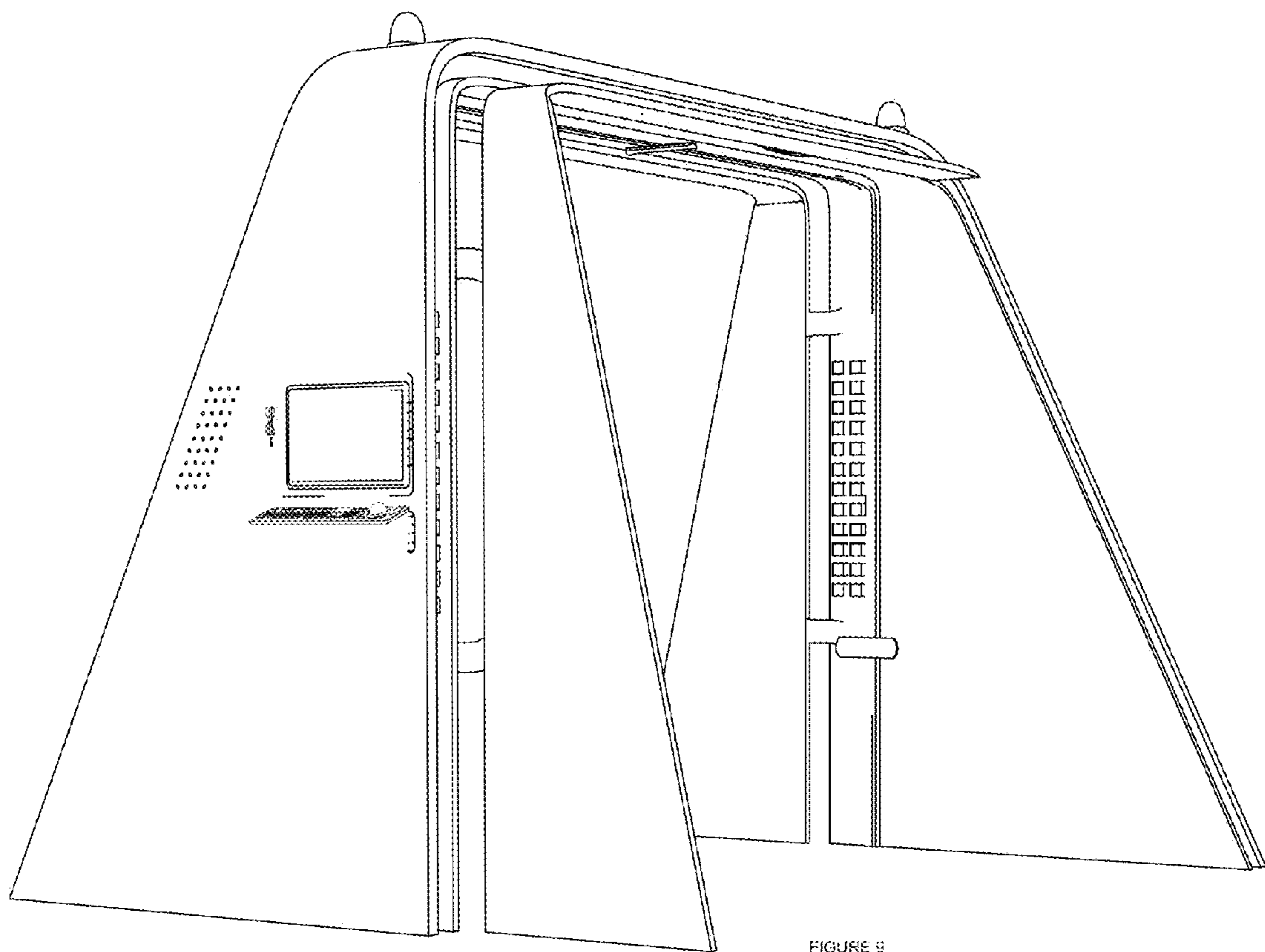


FIGURE 3

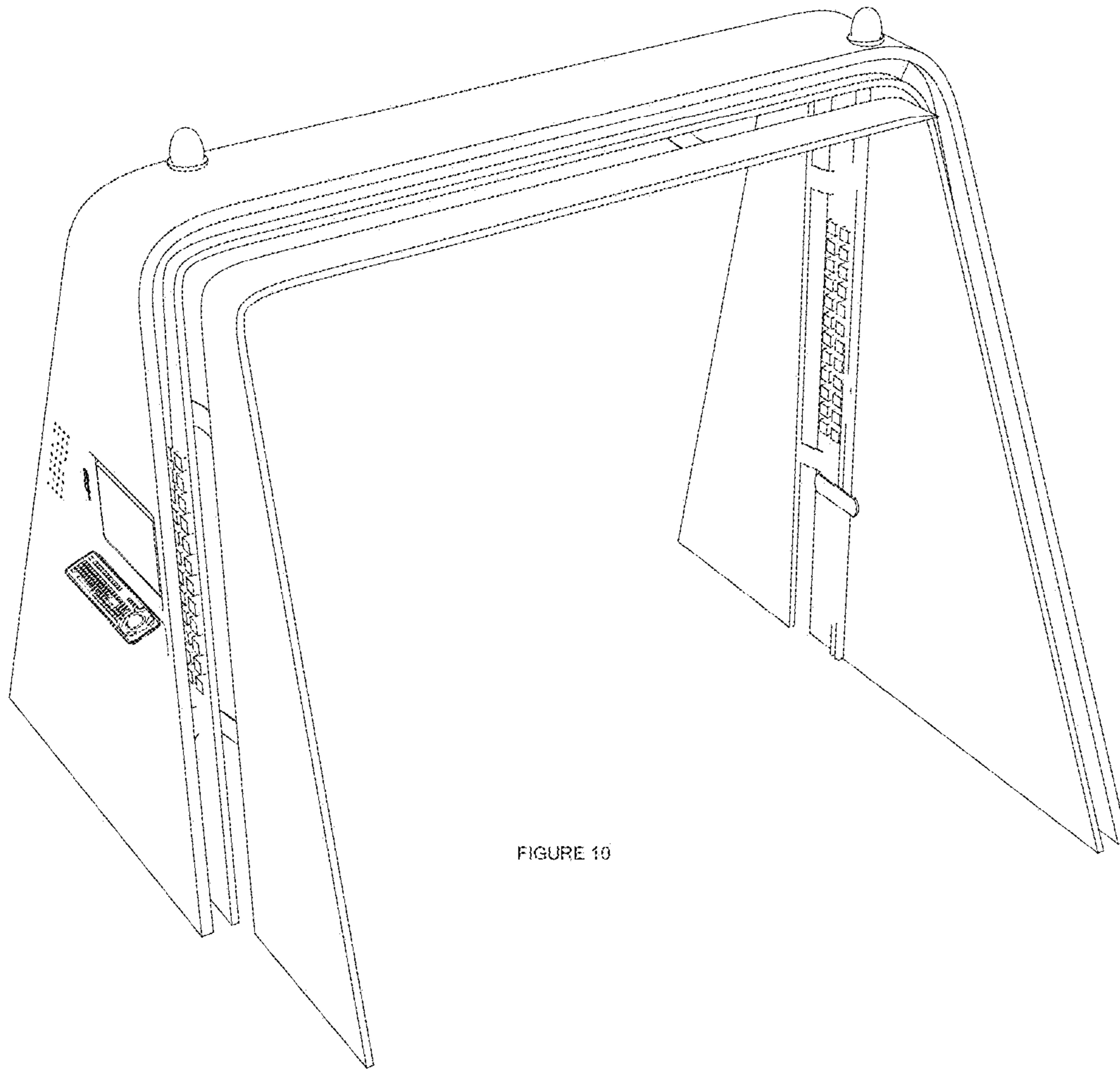


FIGURE 10

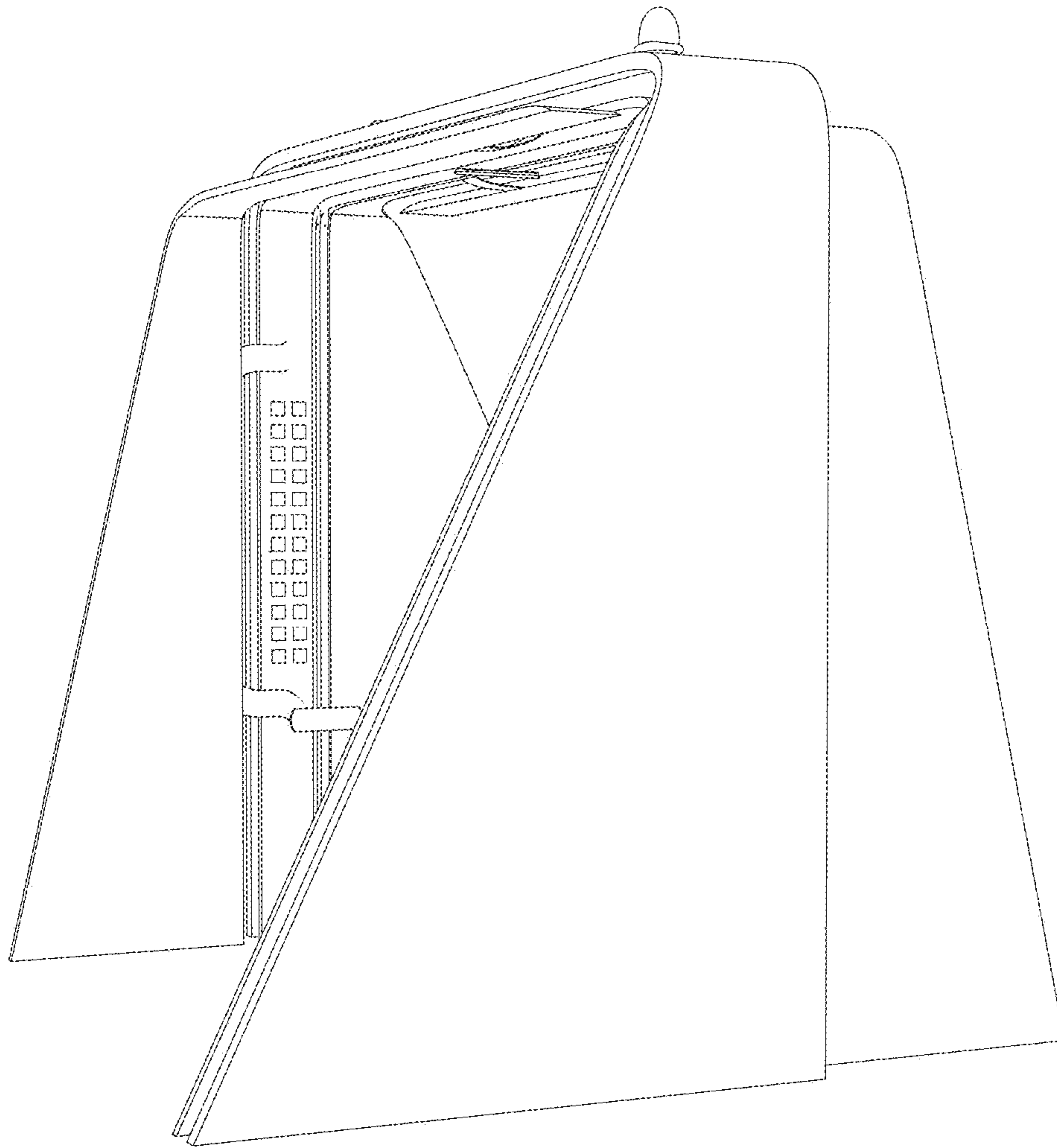


FIGURE 11