



US00D718154S

(12) **United States Design Patent**  
**Gueit**

(10) **Patent No.:** **US D718,154 S**

(45) **Date of Patent:** **\*\* Nov. 25, 2014**

(54) **WATCH CASE**

(71) Applicant: **Rolex Watch U.S.A., Inc.**, New York, NY (US)

(72) Inventor: **Emmanuel Gueit**, Geneva (CH)

(73) Assignee: **Rolex Watch U.S.A., Inc.**, New York, NY (US)

(\*\*) Term: **14 Years**

(21) Appl. No.: **29/486,045**

(22) Filed: **Mar. 26, 2014**

(30) **Foreign Application Priority Data**

Dec. 20, 2013 (CH) ..... 140343

(51) **LOC (10) Cl.** ..... **10-02**

(52) **U.S. Cl.**  
USPC ..... **D10/38**

(58) **Field of Classification Search**  
USPC ..... D10/30-39, 122-132; 368/276, 281,  
368/282, 285, 294, 295  
See application file for complete search history.

(56) **References Cited**

**U.S. PATENT DOCUMENTS**

2,361,563	A *	10/1944	Pellaton	.....	368/80
D186,180	S *	9/1959	Diamond	.....	D10/39
D195,421	S *	6/1963	Huguenin	.....	D10/39
3,271,945	A *	9/1966	Anderson	.....	368/22
3,427,800	A *	2/1969	Blum	.....	368/223
3,475,902	A *	11/1969	Wessel	.....	368/10
3,901,023	A *	8/1975	Uebelhardt	.....	368/281

5,220,541	A *	6/1993	Vuilleumier	.....	368/88
5,237,546	A *	8/1993	Vollert	.....	368/294
D380,976	S *	7/1997	Houlihan	.....	D10/128
D381,584	S *	7/1997	Kennedy	.....	D10/30
D401,866	S *	12/1998	Pandel	.....	D10/32
D430,043	S *	8/2000	Schopfer	.....	D10/39
6,871,997	B2 *	3/2005	Hartmann et al.	.....	368/295
D517,432	S *	3/2006	Laucella	.....	D10/39
D551,095	S *	9/2007	Monachon	.....	D10/32
D578,904	S *	10/2008	Calvani	.....	D10/39
D608,223	S *	1/2010	Salanitro	.....	D10/38
D634,653	S *	3/2011	Laucella	.....	D10/39
D652,328	S *	1/2012	Laucella et al.	.....	D10/39
D671,429	S *	11/2012	Parmigiani	.....	D10/38
D692,778	S *	11/2013	Duport et al.	.....	D10/39
D702,136	S *	4/2014	Monachon	.....	D10/39
D707,572	S *	6/2014	Calvani	.....	D10/39
8,740,451	B2 *	6/2014	Gourdin	.....	368/308

\* cited by examiner

*Primary Examiner* — Lucy Lieberman

(74) *Attorney, Agent, or Firm* — Sughrue Mion, PLLC

(57) **CLAIM**

The ornamental design for a watch case, as shown and described.

**DESCRIPTION**

FIG. 1 is a perspective view of the watch case according to my new design;

FIG. 2 is a front view thereof;

FIG. 3 is a rear view thereof;

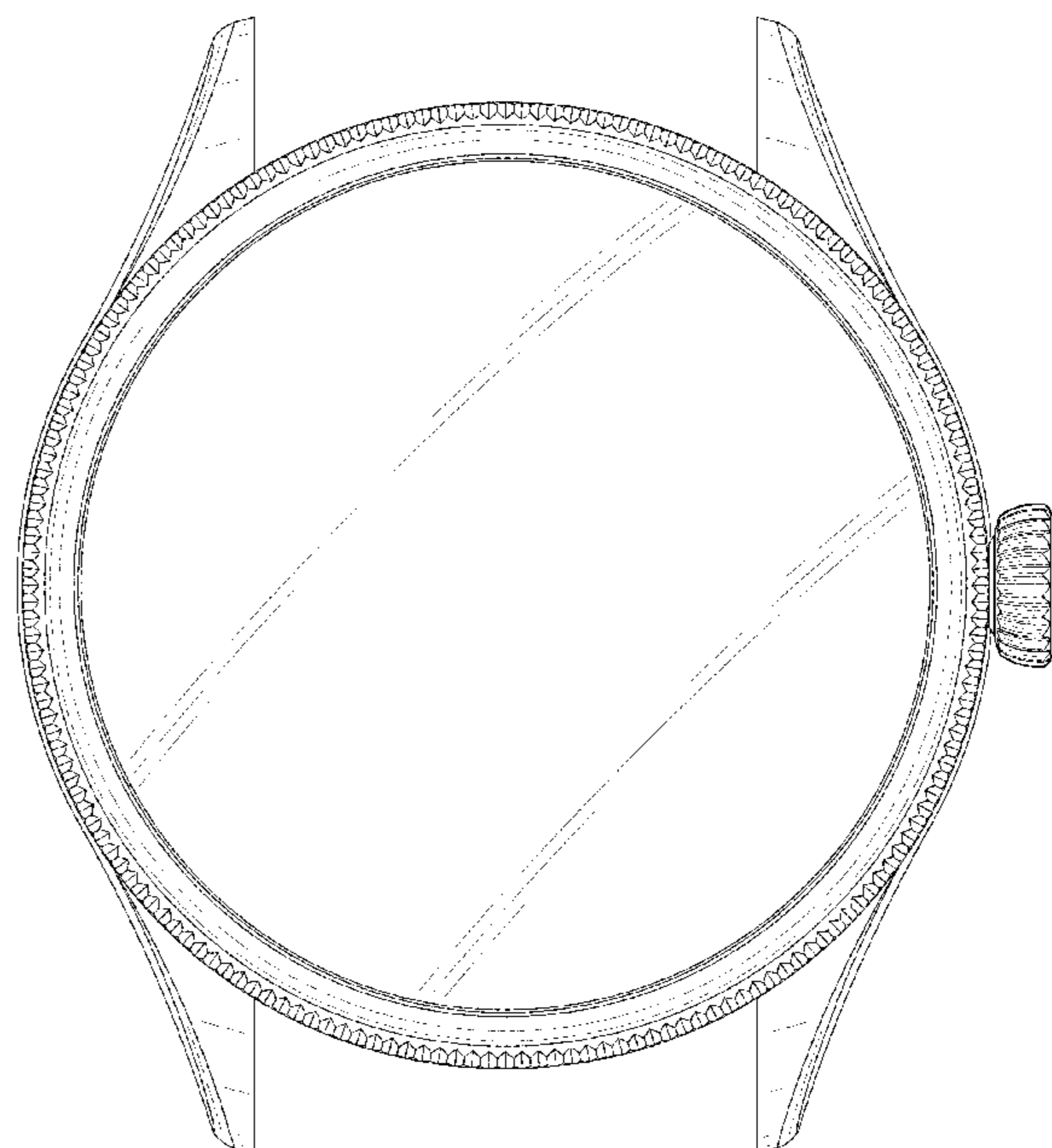
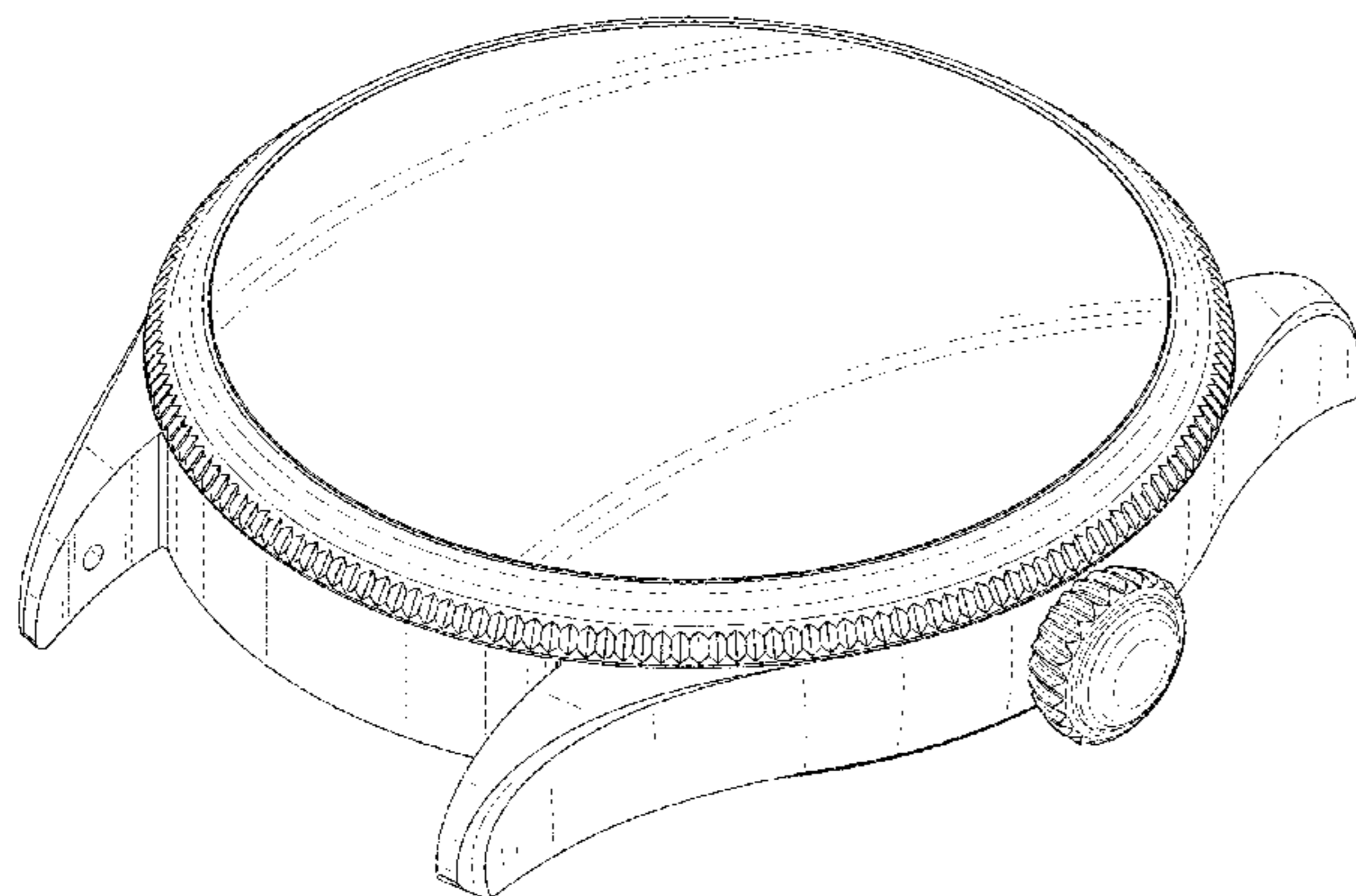
FIG. 4 is a first side view thereof;

FIG. 5 is a second side view thereof;

FIG. 6 is a first end view thereof; and,

FIG. 7 is a second end view thereof.

**1 Claim, 5 Drawing Sheets**



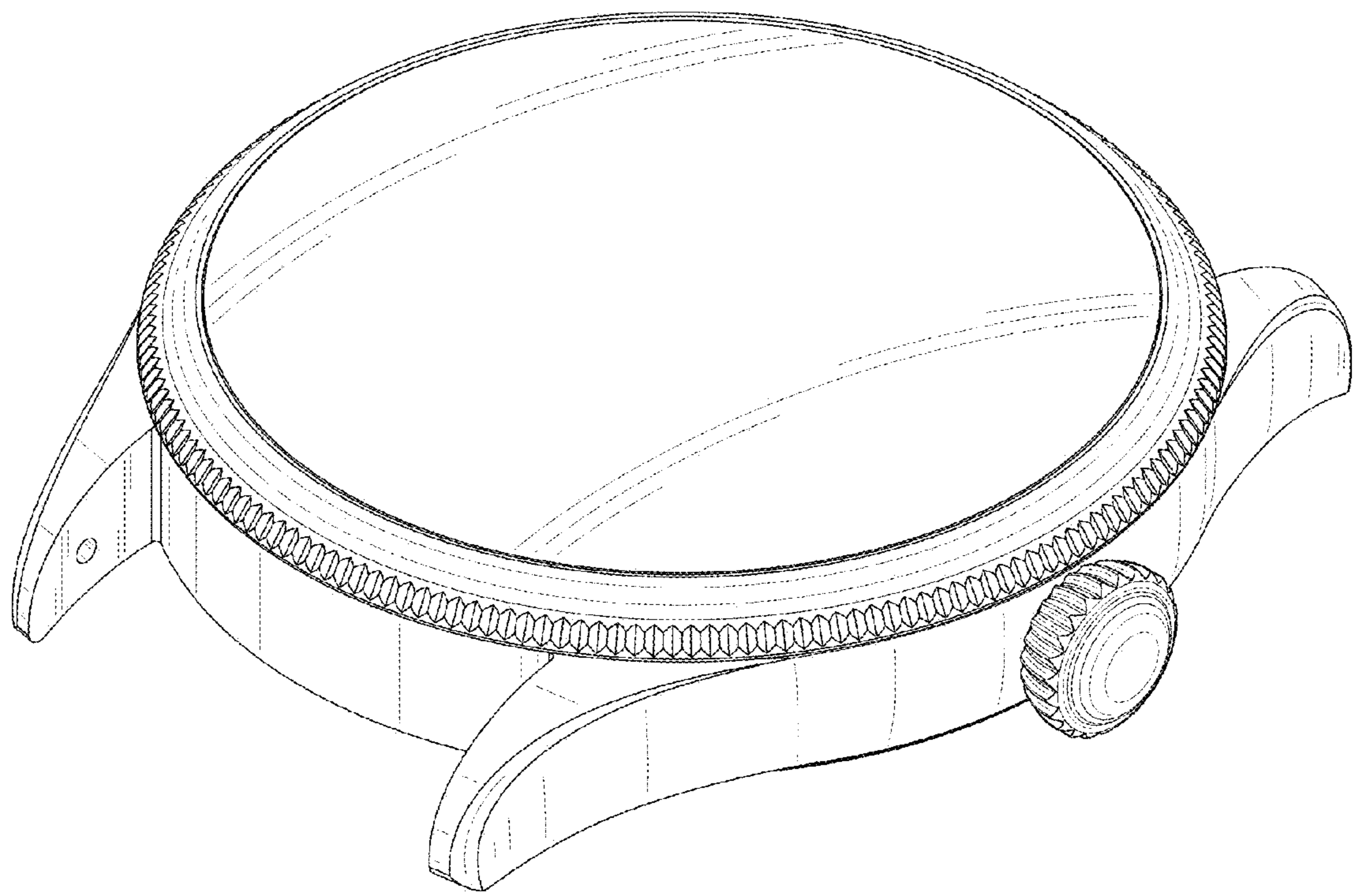


FIG. 1

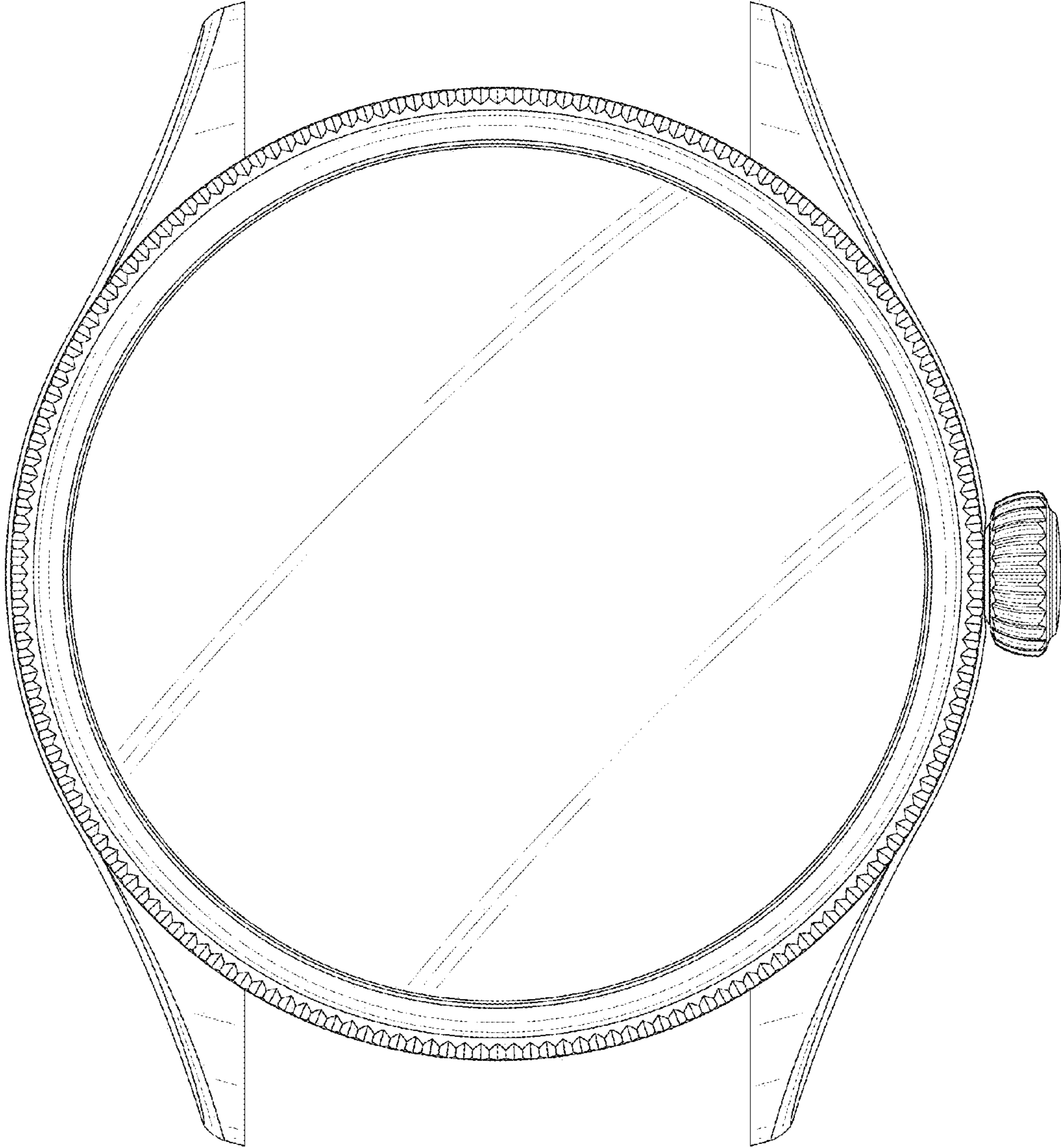


FIG. 2

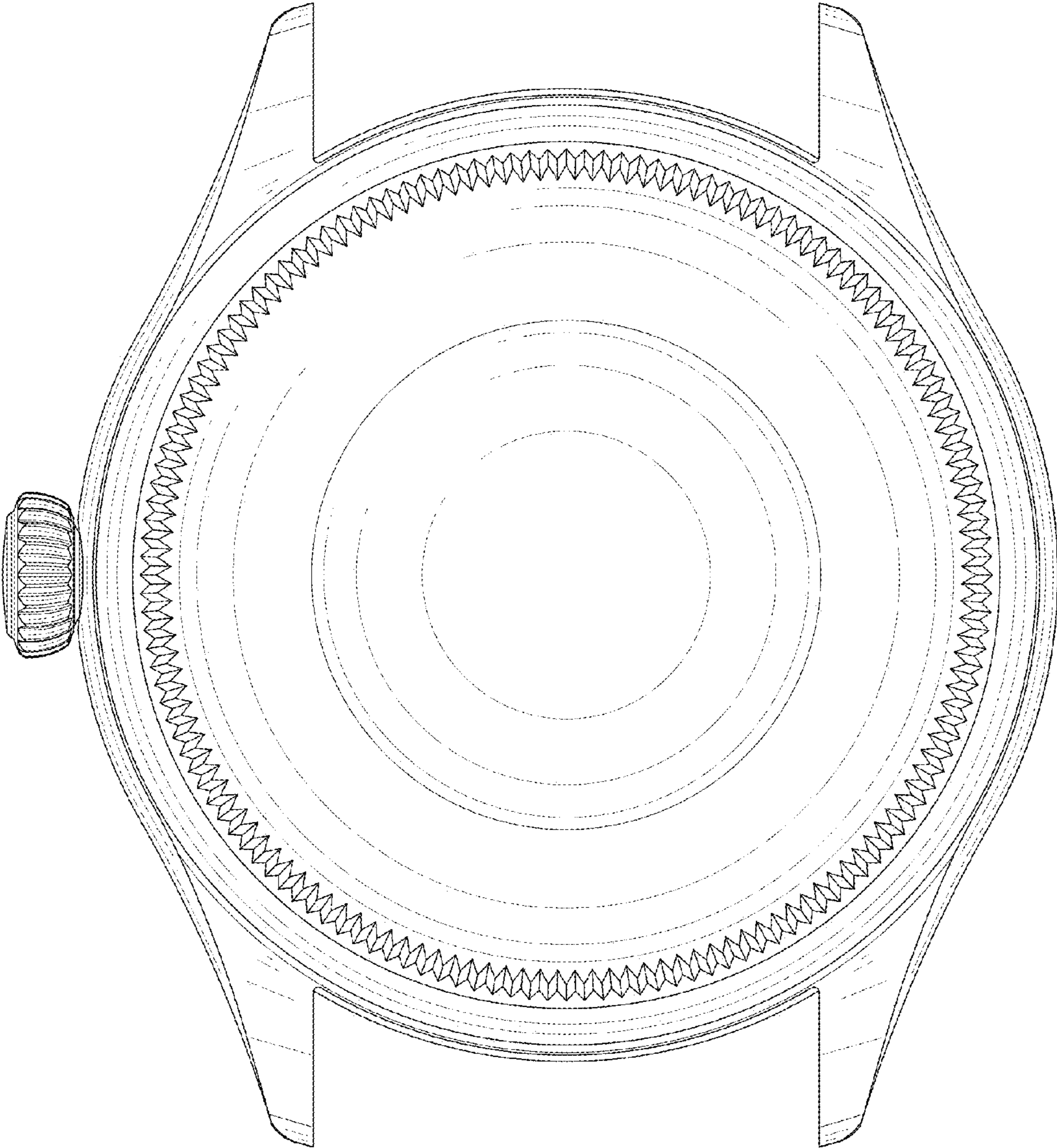


FIG. 3

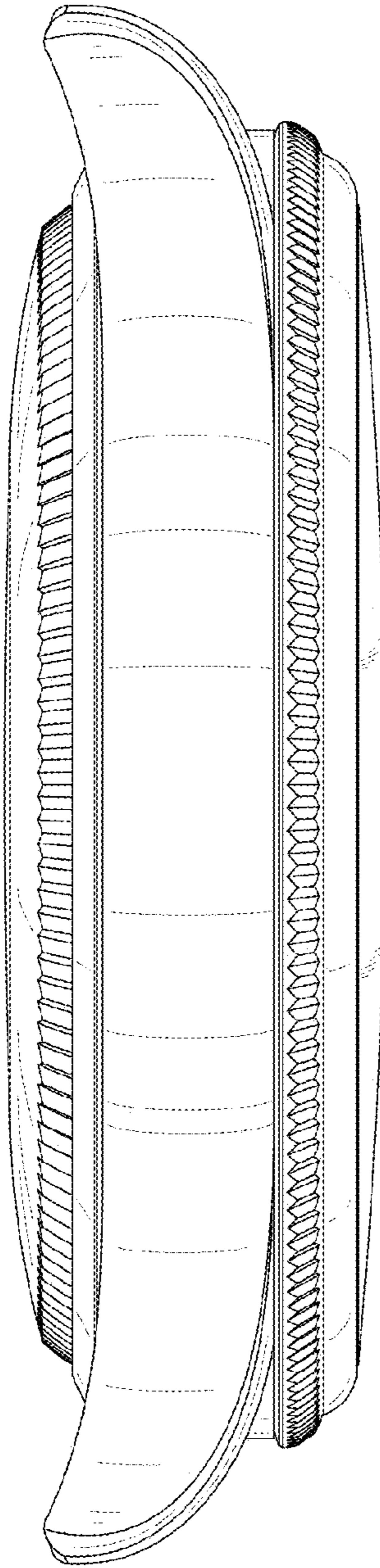


FIG. 4

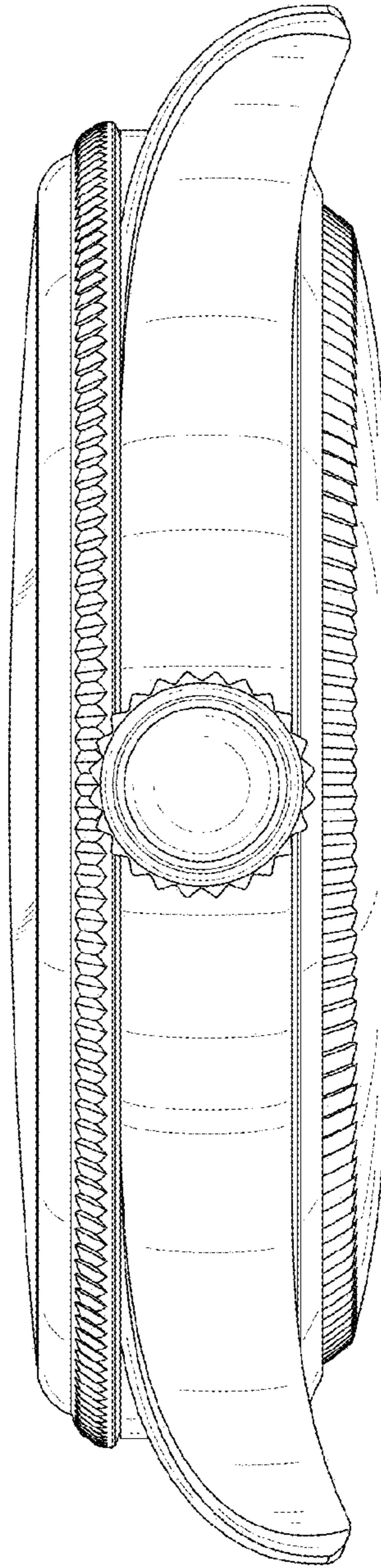


FIG. 5

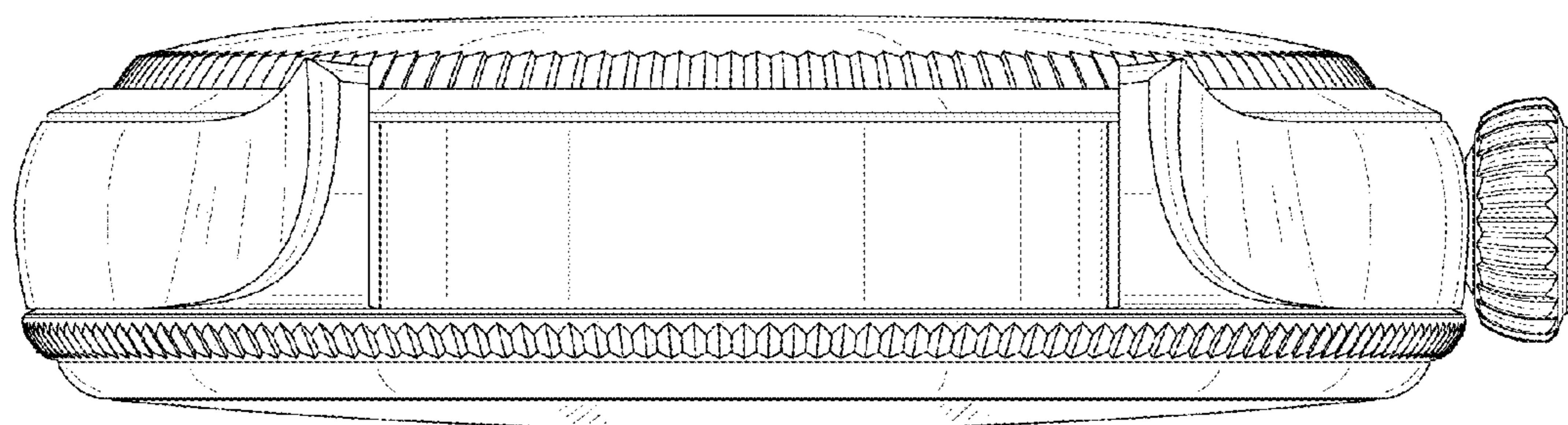


FIG. 6

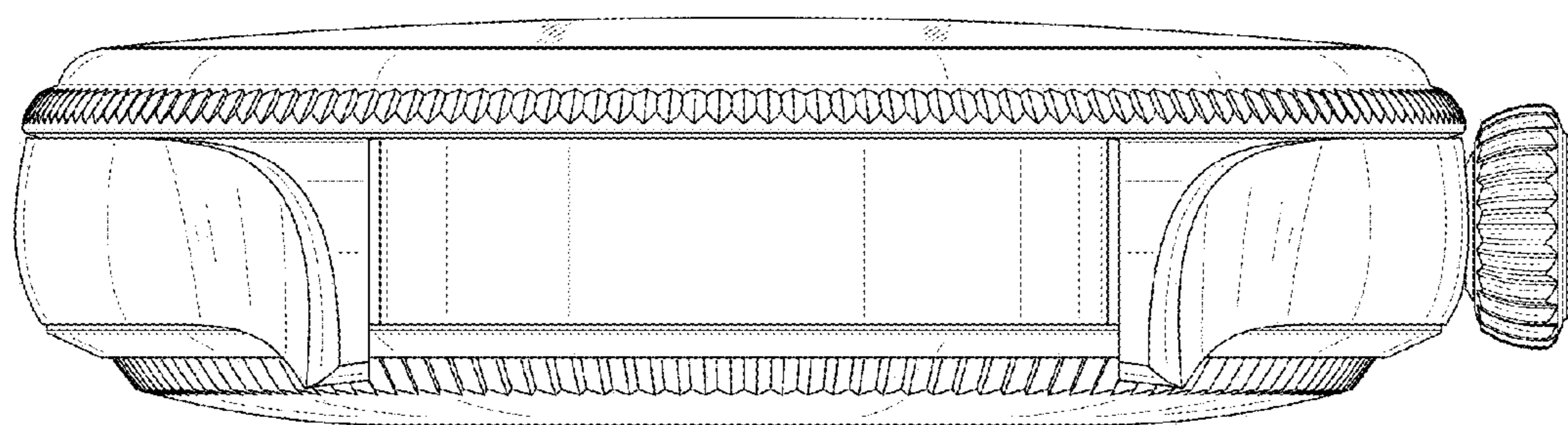


FIG. 7