



US00D718148S

(12) **United States Design Patent**  
**Marret**

(10) **Patent No.:** **US D718,148 S**

(45) **Date of Patent:** **\*\* Nov. 25, 2014**

(54) **BOWL WITH CLOSURE AND SPOON**

(56) **References Cited**

(71) Applicant: **Mon Bento**, Clermont-Ferrand (FR)

U.S. PATENT DOCUMENTS

(72) Inventor: **Fabien Marret**, Central (HK)

2,433,926	A *	1/1948	Sayre .....	229/404
6,688,485	B1 *	2/2004	Lauer et al. ....	220/574
D513,979	S *	1/2006	Snedden et al. ....	D9/425
D528,432	S *	9/2006	Snedden et al. ....	D9/716
D533,075	S *	12/2006	Snedden et al. ....	D9/717
D547,124	S *	7/2007	Peretz .....	D7/538
D605,469	S *	12/2009	Wingfield et al. ....	D7/538
D688,917	S *	9/2013	Ludeman et al. ....	D7/586
2003/0029868	A1 *	2/2003	Davidov et al. ....	220/212
2004/0094548	A1 *	5/2004	Laveault .....	220/212
2009/0120942	A1 *	5/2009	Vovan .....	220/574.1
2012/0267279	A1 *	10/2012	Lesniak et al. ....	206/524.1
2013/0133288	A1 *	5/2013	Kaslik .....	53/396

(73) Assignee: **Mon Bento**, Clermont-Ferrand (FR)

(\*\*) Term: **14 Years**

(21) Appl. No.: **29/473,948**

(22) Filed: **Nov. 27, 2013**

(30) **Foreign Application Priority Data**

May 27, 2013 (EM) ..... 002244509

(51) **LOC (10) Cl.** ..... **09-03**

(52) **U.S. Cl.**  
USPC ..... **D9/717**

(58) **Field of Classification Search**  
CPC ..... D65D 2543/00296; D65D 2543/00092;  
D65D 2543/00685; D65D 2543/00796; D65D  
2543/00509; D65D 2543/00357; D65D  
2543/00648; D65D 2543/00416; D65D  
2543/00231; D65D 2543/00083; D65D  
1/0223; D65D 51/24; D65D 51/246; D65D  
77/245  
USPC ..... D9/414, 424, 425, 428, 715, 717, 716,  
D9/718, 719, 761; D7/601, 602, 637, 638,  
D7/641; D3/201, 202; 206/216, 229, 745,  
206/751; 220/212, 574, 574.1

See application file for complete search history.

\* cited by examiner

*Primary Examiner* — Derrick Holland

*Assistant Examiner* — Lauren Calve

(74) *Attorney, Agent, or Firm* — Stephen J. Weyer; Stites & Harbison PLLC

(57) **CLAIM**

The ornamental design for a bowl with closure and spoon, as shown and described.

**DESCRIPTION**

FIG. 1 is a front, top, and left side perspective view of a bowl with closure and spoon showing the new design.

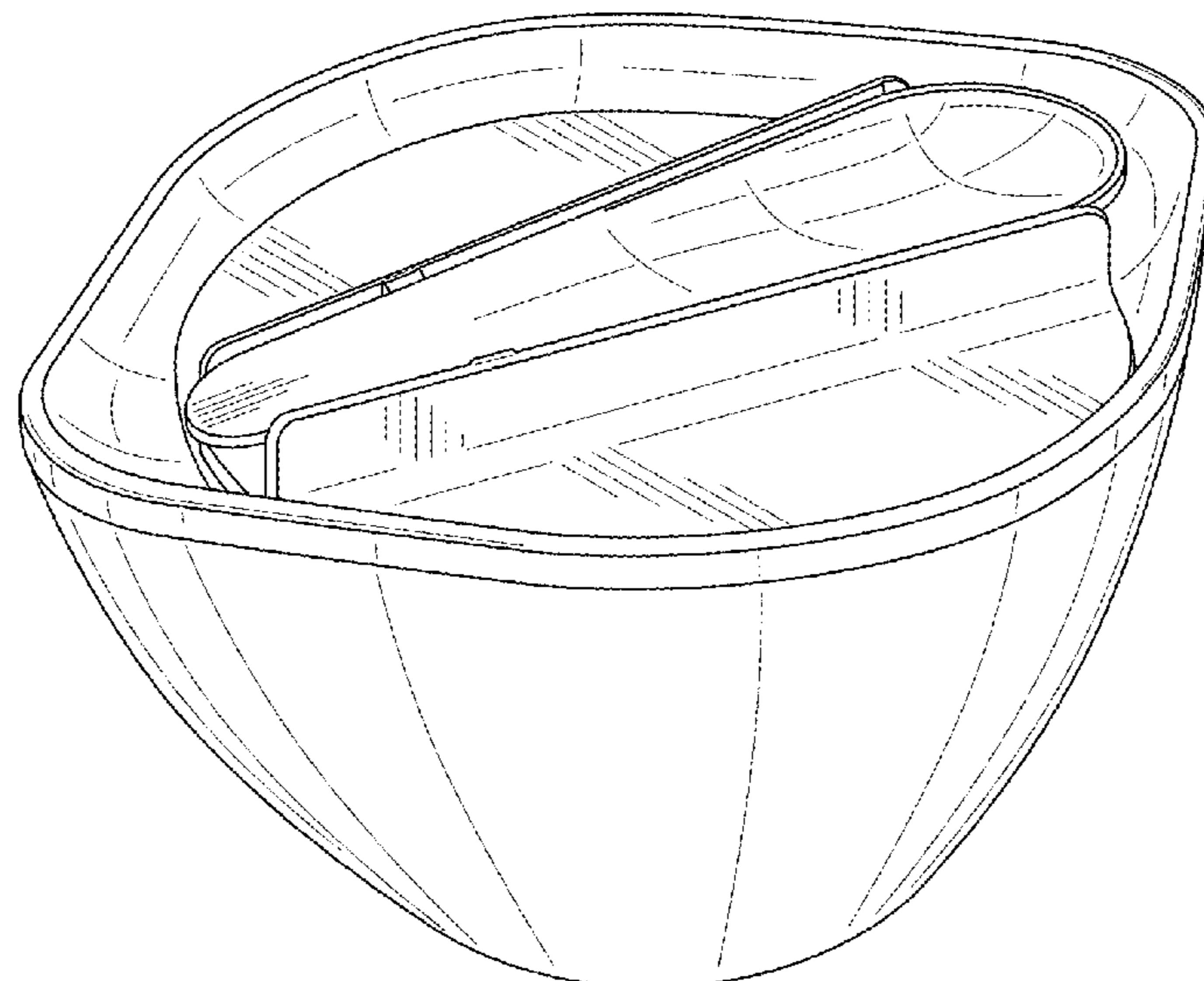
FIG. 2 is a top view thereof.

FIG. 3 is a bottom right side view thereof.

FIG. 4 is a front view thereof, the back view being a mirror image thereof; and,

FIG. 5 is a right side view thereof, the left side view being a mirror image thereof.

**1 Claim, 3 Drawing Sheets**



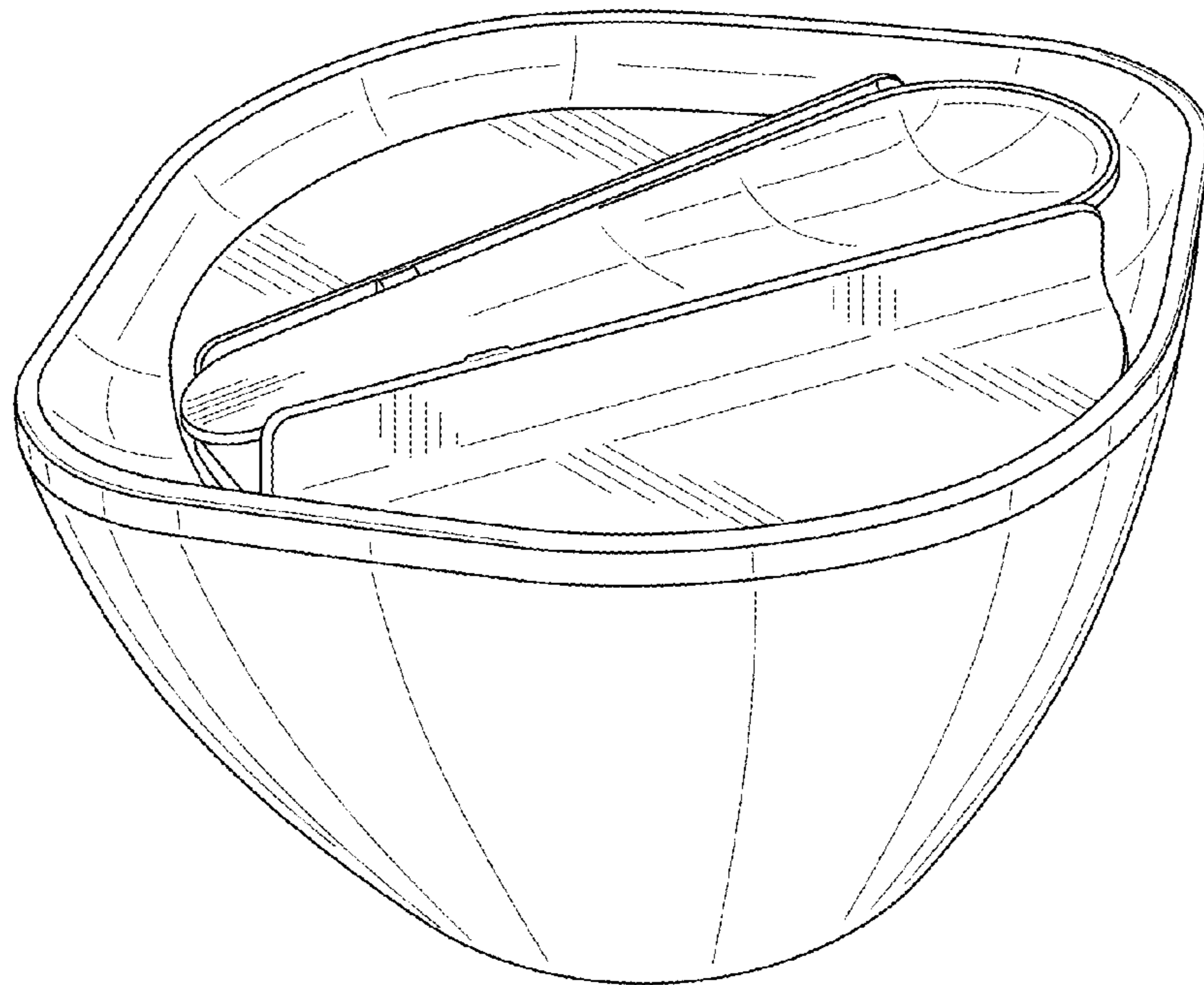


FIG. 1

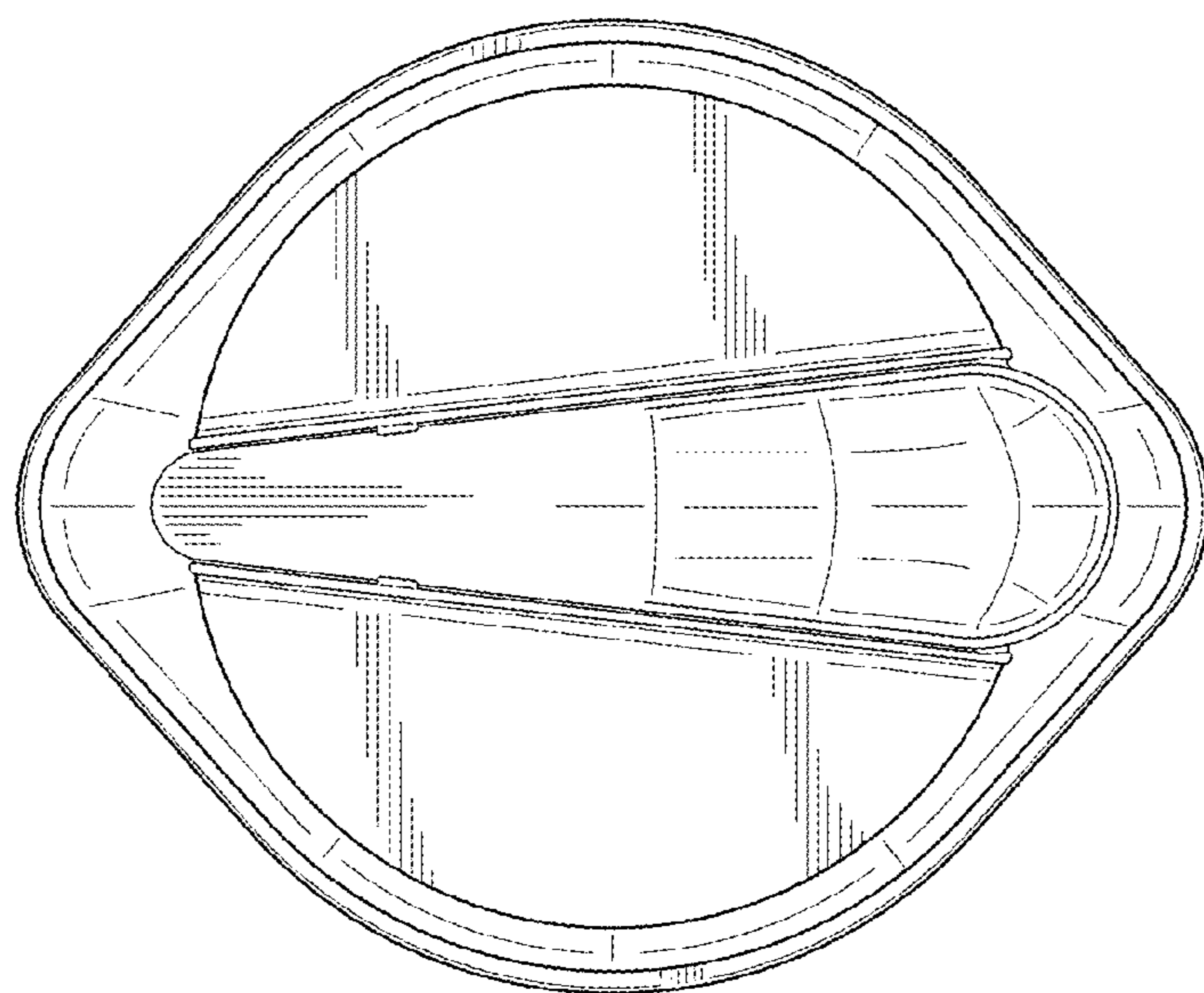


FIG. 2

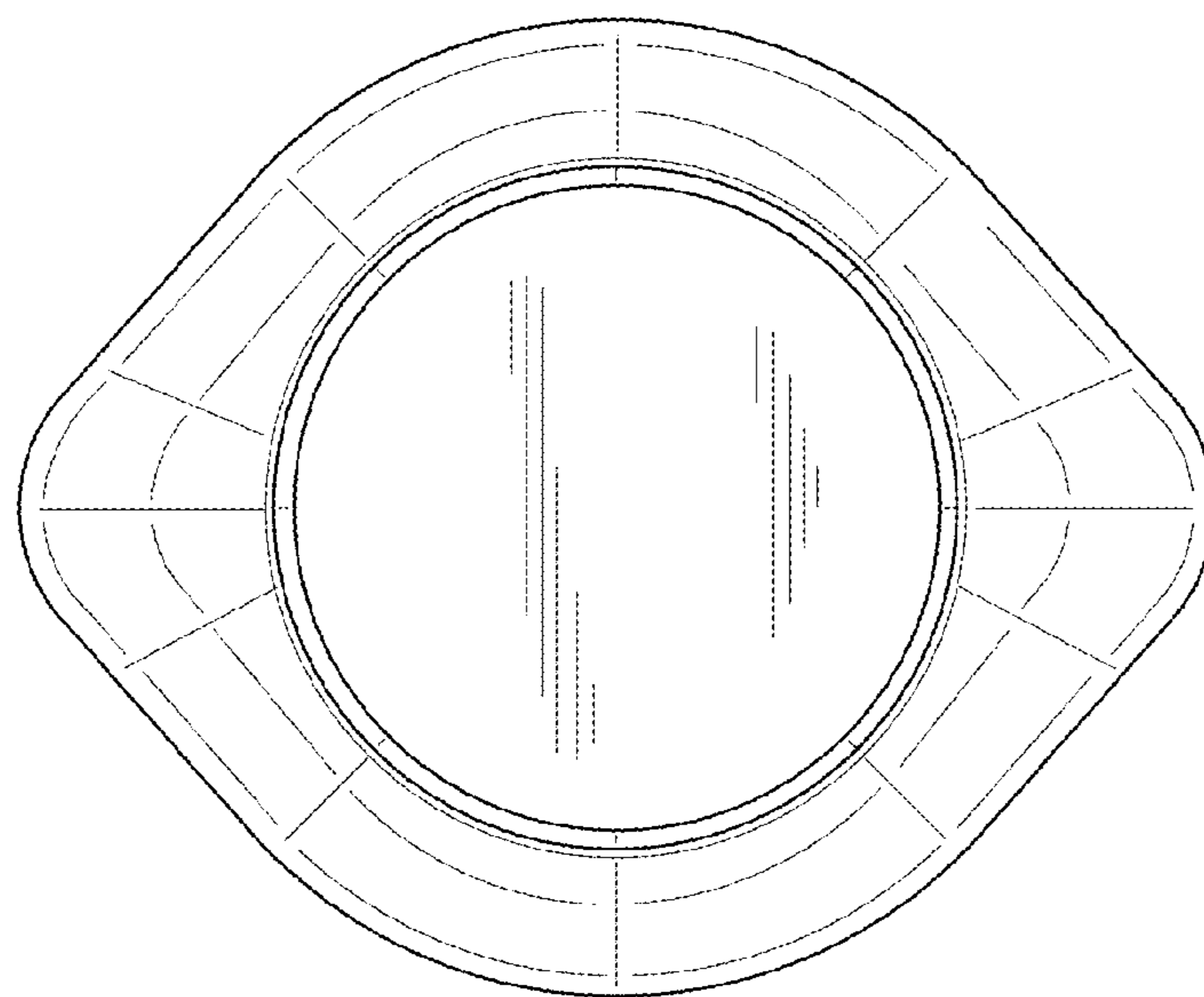


FIG. 3

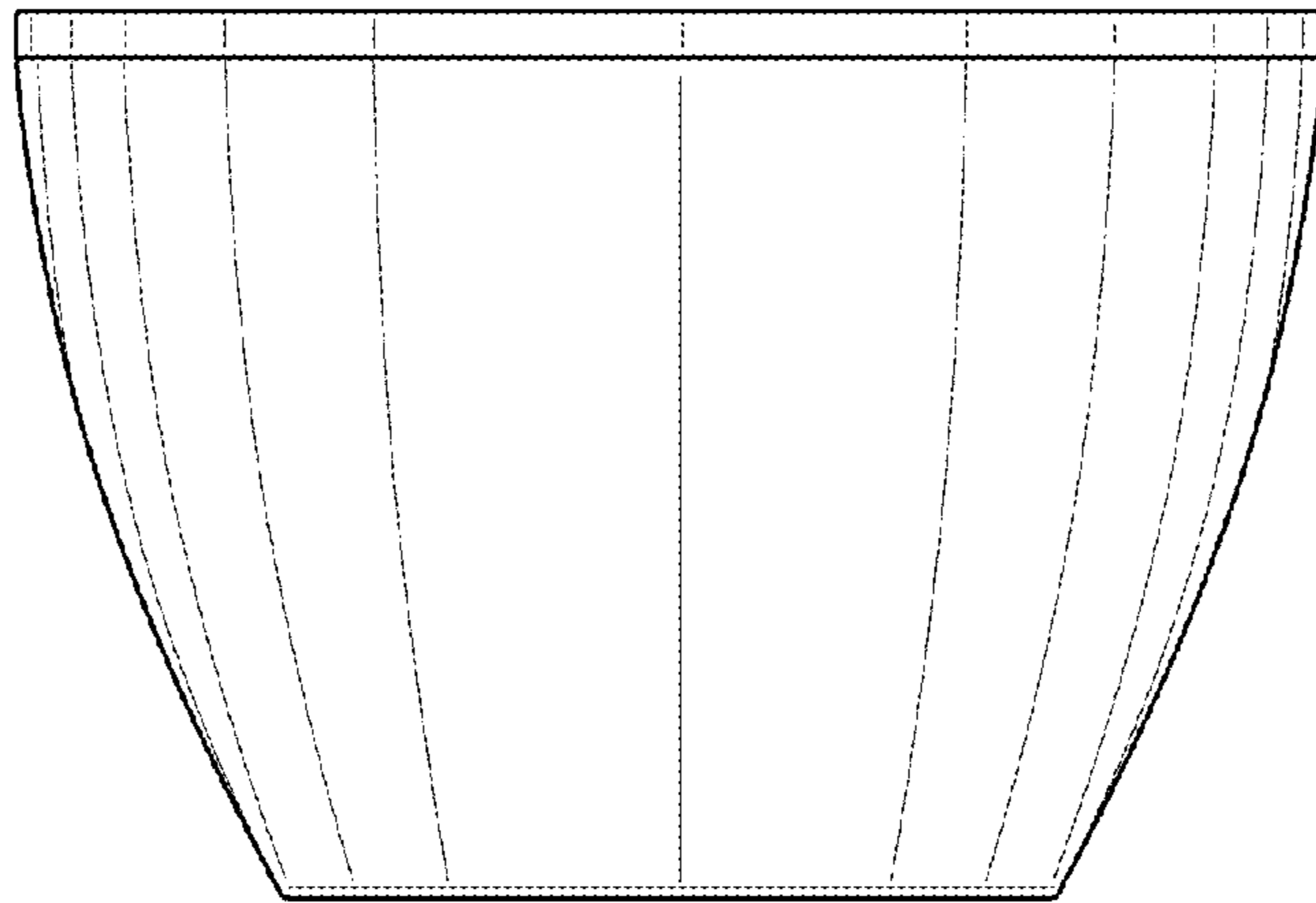


FIG. 4

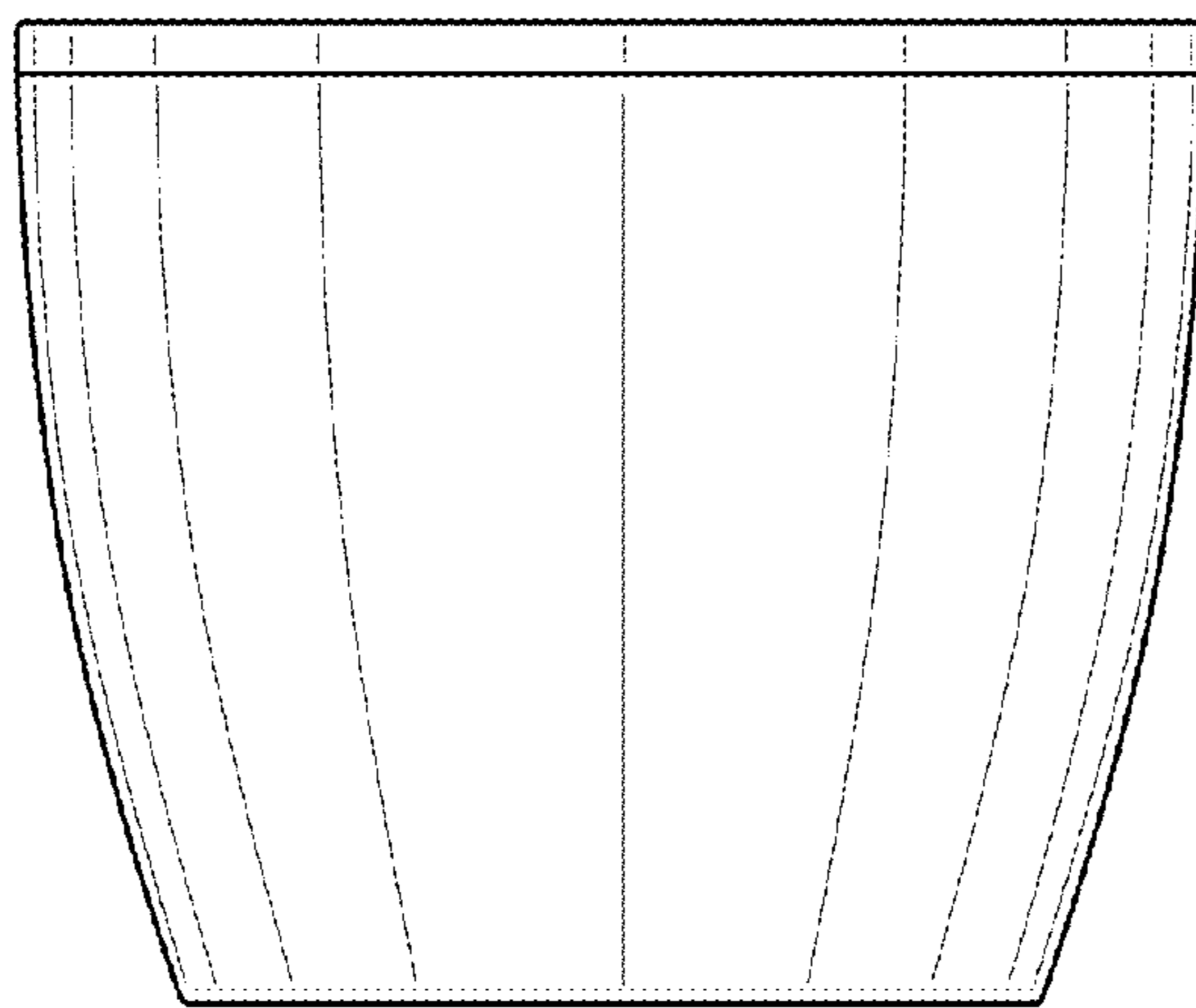


FIG. 5