



US00D718147S

(12) **United States Design Patent**  
**Still et al.**

(10) **Patent No.:** **US D718,147 S**

(45) **Date of Patent:** **\*\* Nov. 25, 2014**

(54) **APPLICATOR ASSEMBLY**

- (71) Applicant: **The Procter & Gamble Company**,  
Cincinnati, OH (US)
- (72) Inventors: **James Douglas Still**, Cleves, OH (US);  
**Lucio Frias**, Madeira, OH (US);  
**William Dale Murdock**, Cheviot, OH  
(US); **Mikah Coffindaffer**, Mason, OH  
(US)
- (73) Assignee: **The Procter & Gamble Company**,  
Cincinnati, OH (US)

(\*\*) Term: **14 Years**

(21) Appl. No.: **29/458,167**

(22) Filed: **Jun. 17, 2013**

(51) **LOC (10) Cl.** ..... **09-01**

(52) **U.S. Cl.**  
USPC ..... **D9/691**

(58) **Field of Classification Search**  
CPC ..... A45D 24/28; A45D 19/02; B05C 17/015;  
B65D 1/0223  
USPC ..... D9/682-694, 715, 718, 719, 723-729,  
D9/776-780, 500-505, 516, 517, 526, 530,  
D9/537-575, 434-436, 447, 448; D28/7,  
D28/10, 76, 77, 91.1; 222/182, 183, 631,  
222/635, 321.6-321.9, 372, 373, 379,  
222/383.1, 386, 401, 402.11, 402.13,  
222/402.15; 215/379, 382; 220/669, 675;  
132/200, 207, 208, 112-115, 221, 289,  
132/299, 317, 320, 901; 401/6, 9, 11, 28,  
401/188 R, 190, 265

See application file for complete search history.

(56) **References Cited**

U.S. PATENT DOCUMENTS

D194,715 S *	2/1963	Michel .....	D9/724
D198,509 S *	6/1964	Stengle, Jr. et al. ....	D9/500
D249,099 S *	8/1978	Taylor .....	D4/114
D277,072 S *	1/1985	Czech .....	D9/689
D288,529 S *	3/1987	Parad .....	D9/524
4,815,637 A *	3/1989	Nellis .....	222/402.12
D304,996 S *	12/1989	Hollenberg et al. ....	D9/725
D365,276 S *	12/1995	Dinand .....	D9/529
D374,108 S *	9/1996	Moody et al. ....	D28/25
5,772,077 A *	6/1998	Tafur .....	222/192
D443,821 S *	6/2001	Bakic .....	D9/500
D456,260 S *	4/2002	Boshuizen et al. ....	D9/448

(Continued)

OTHER PUBLICATIONS

U.S. Appl. No. 29/447,858, filed Mar. 7, 2013, Murdock.

*Primary Examiner* — Catherine Tuttle

(74) *Attorney, Agent, or Firm* — James T. Fondriest

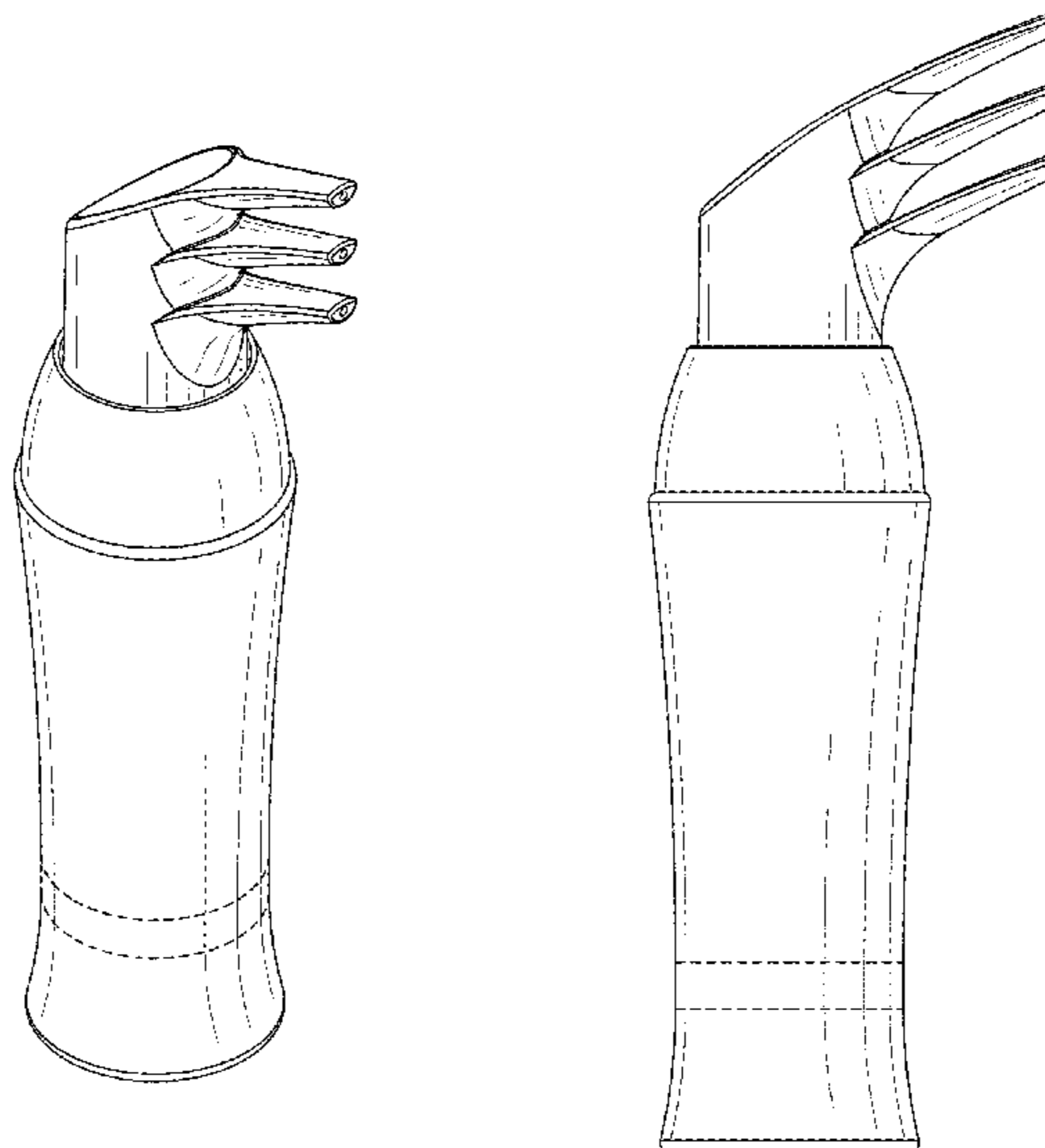
(57) **CLAIM**

The ornamental design for an applicator assembly, as shown and described.

**DESCRIPTION**

FIG. 1 is a perspective front view of an applicator assembly embodying the new design shown;  
FIG. 2 is a front view of the design shown in FIG. 1;  
FIG. 3 is a left side view of the design shown in FIG. 1;  
FIG. 4 is a back view of the design shown in FIG. 1;  
FIG. 5 is a right side view of the design shown in FIG. 1;  
FIG. 6 is a bottom view of the design shown in FIG. 1; and,  
FIG. 7 is a top view of the design shown in FIG. 1.  
The broken lines shown in FIG. 6 are included for the purpose of illustrating a portion of the applicator assembly that forms no part of the claimed design.

**1 Claim, 4 Drawing Sheets**



(56)

References Cited

U.S. PATENT DOCUMENTS

D462,896	S *	9/2002	Crawford et al.	.....	D9/693				
6,467,653	B1 *	10/2002	Hamamoto et al.	.....	222/105				
D497,809	S *	11/2004	Fenton et al.	.....	D9/500				
D543,846	S *	6/2007	Kitamura et al.	.....	D9/500				
D556,038	S *	11/2007	Chupak	.....	D9/500				
D599,667	S *	9/2009	Gedmin	.....	D9/516				
D620,800	S *	8/2010	Thielman et al.	.....	D9/516				
D640,559	S *	6/2011	Llerena	.....	D9/500				
D681,876	S	5/2013	Murdock						
D690,876	S *	10/2013	Murdock et al.	.....	D28/7				
2002/0020421	A1 *	2/2002	Vayrette	.....	132/114				
2003/0129142	A1 *	7/2003	Schroeder et al.	.....	424/47				
2003/0168372	A1 *	9/2003	Headen et al.	.....	206/459.1				
2006/0151539	A1 *	7/2006	Tsubaki et al.	.....	222/192				
2007/0051754	A1 *	3/2007	Strand et al.	.....	222/402.13				
2013/0277397	A1 *	10/2013	Erickson et al.	.....	222/153.11				
2013/0284195	A1 *	10/2013	Murdock et al.	.....	132/200				
2013/0284196	A1 *	10/2013	Murdock et al.	.....	132/200				

\* cited by examiner

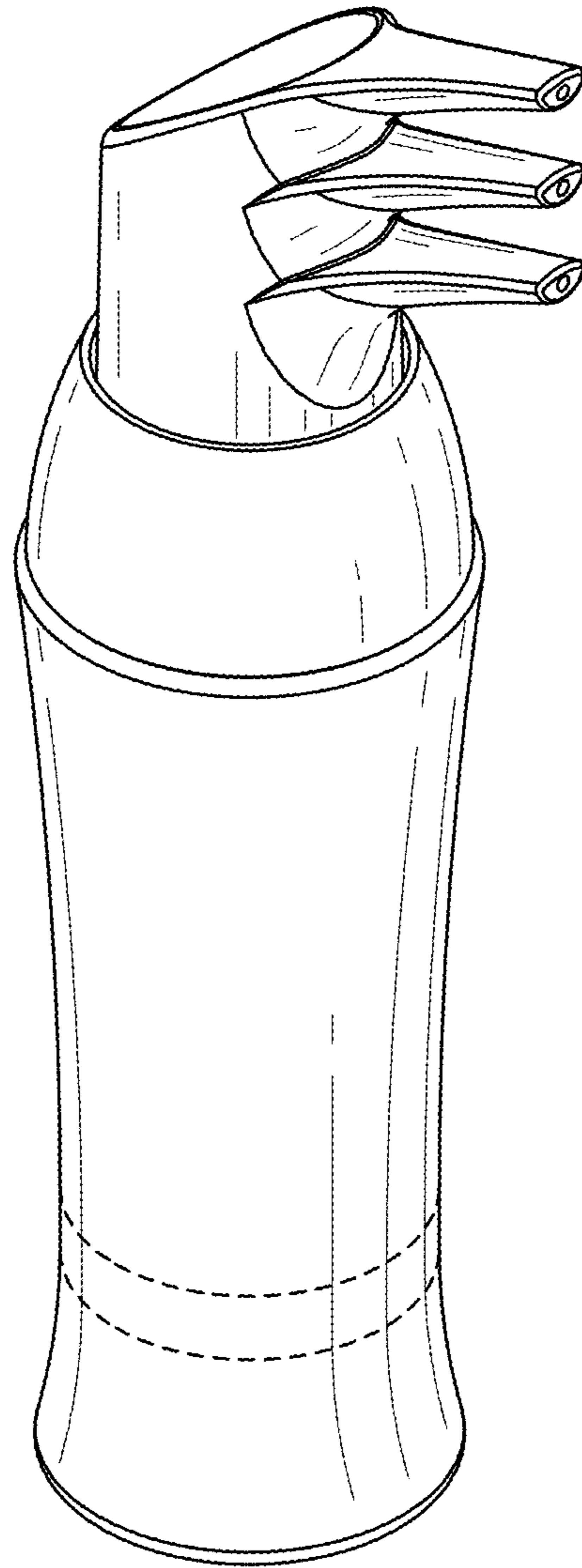


Fig. 1

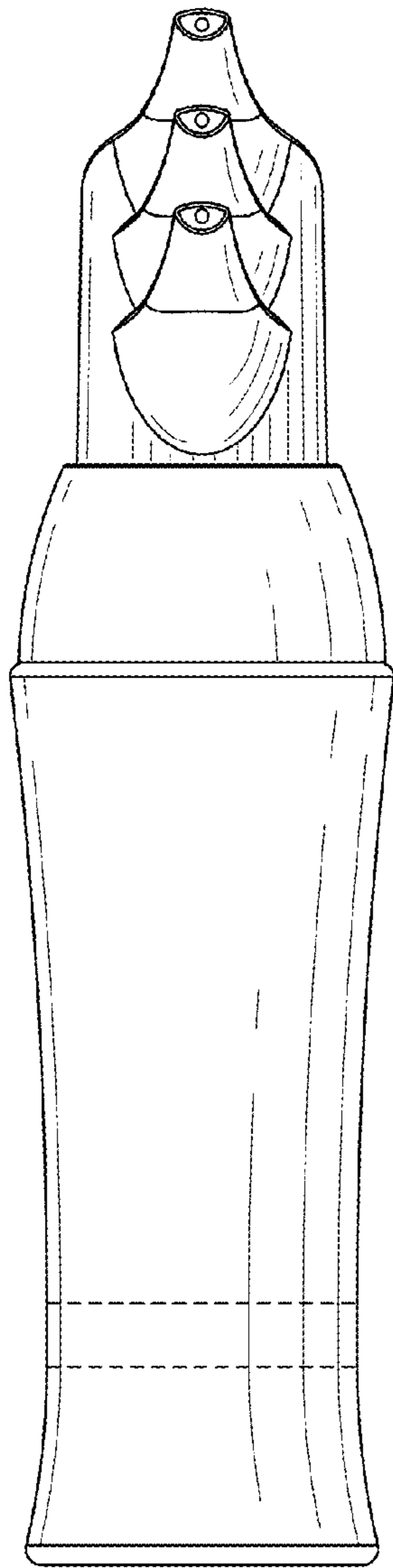


Fig. 2

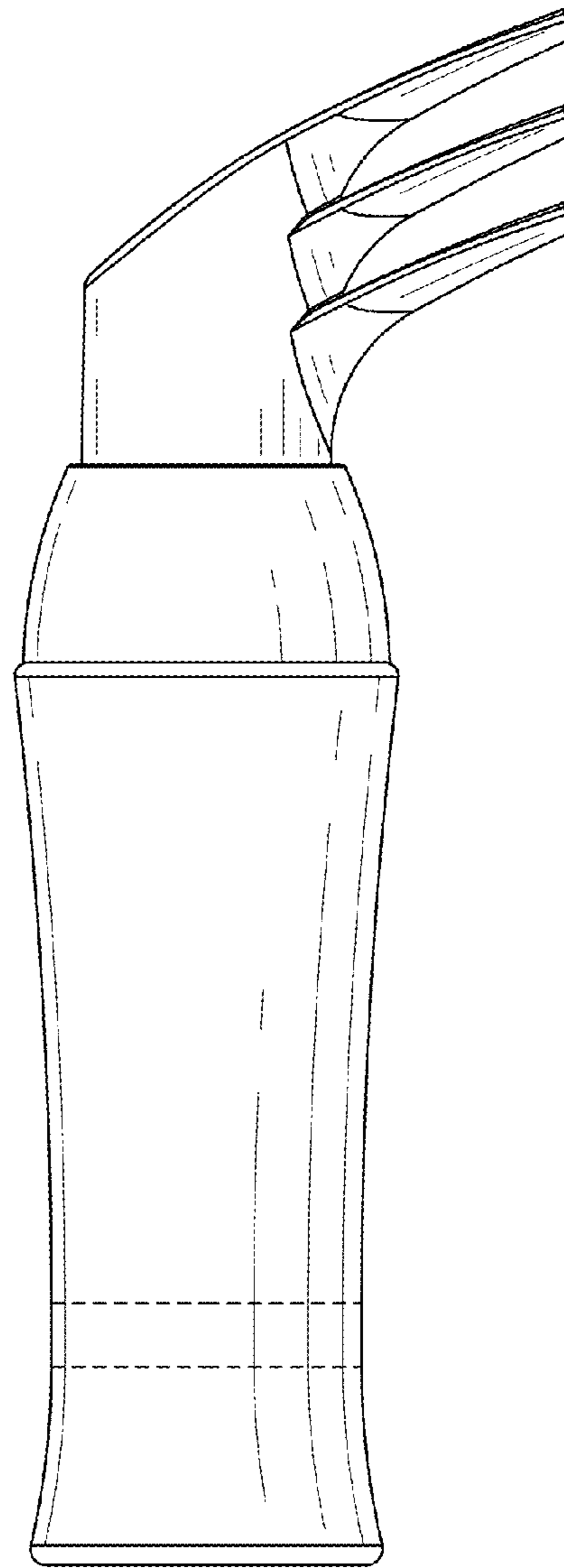


Fig. 3

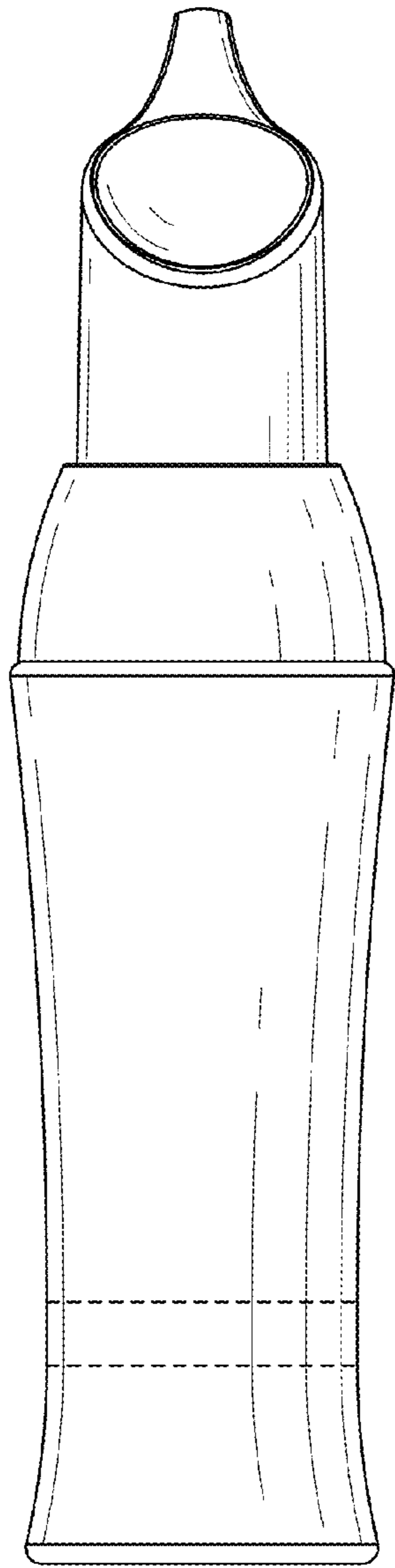


Fig. 4

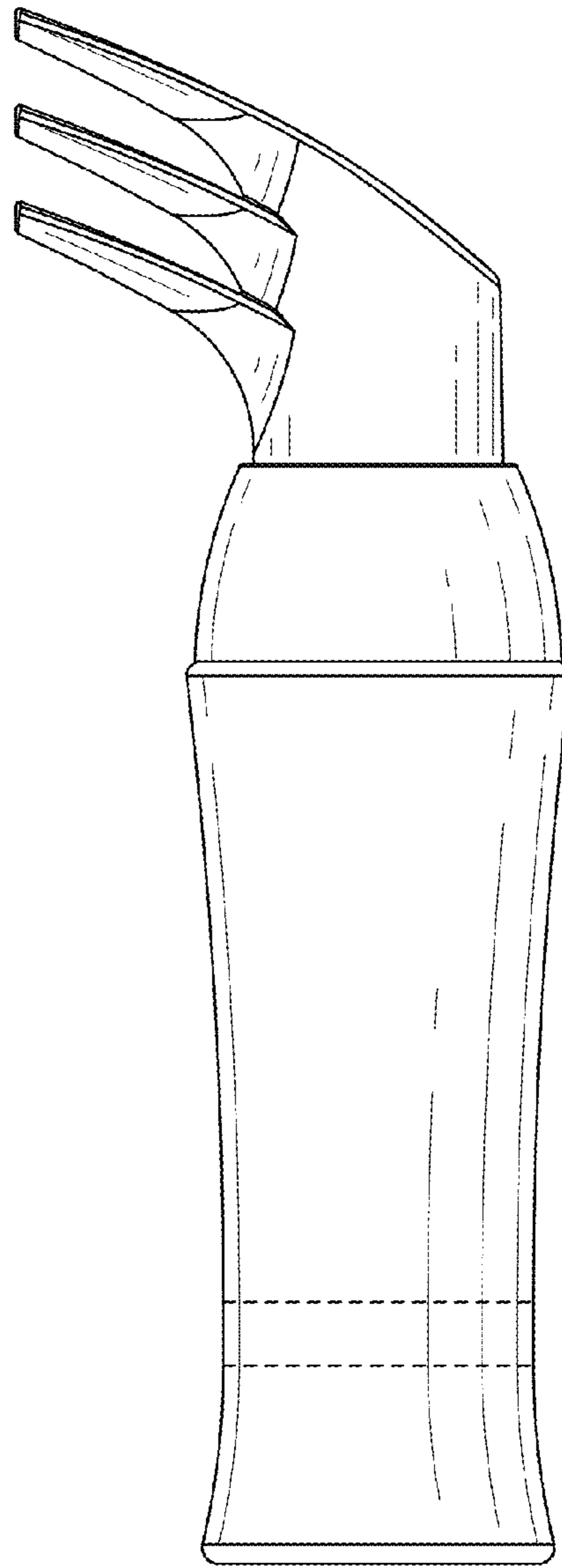


Fig. 5

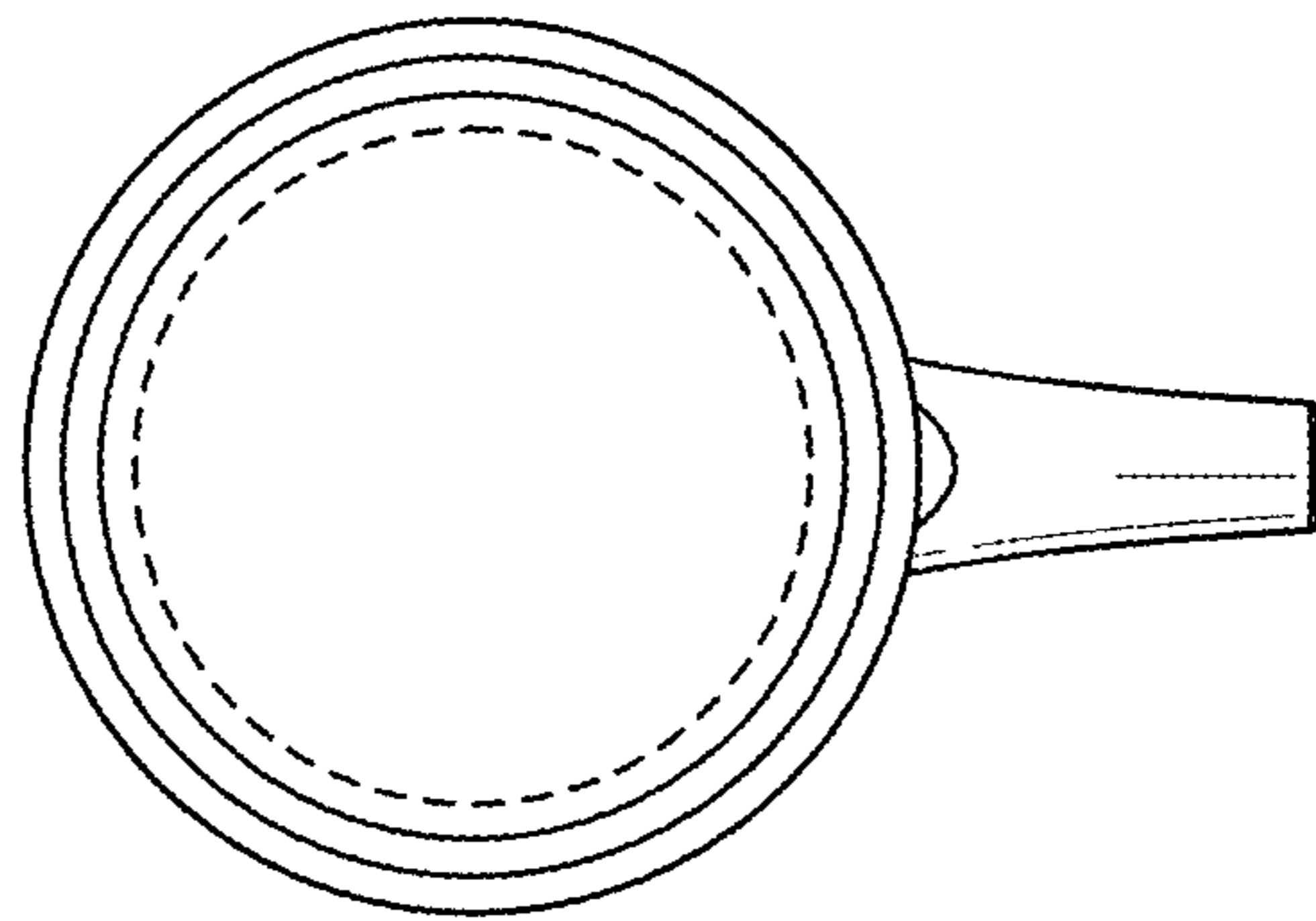


Fig. 6

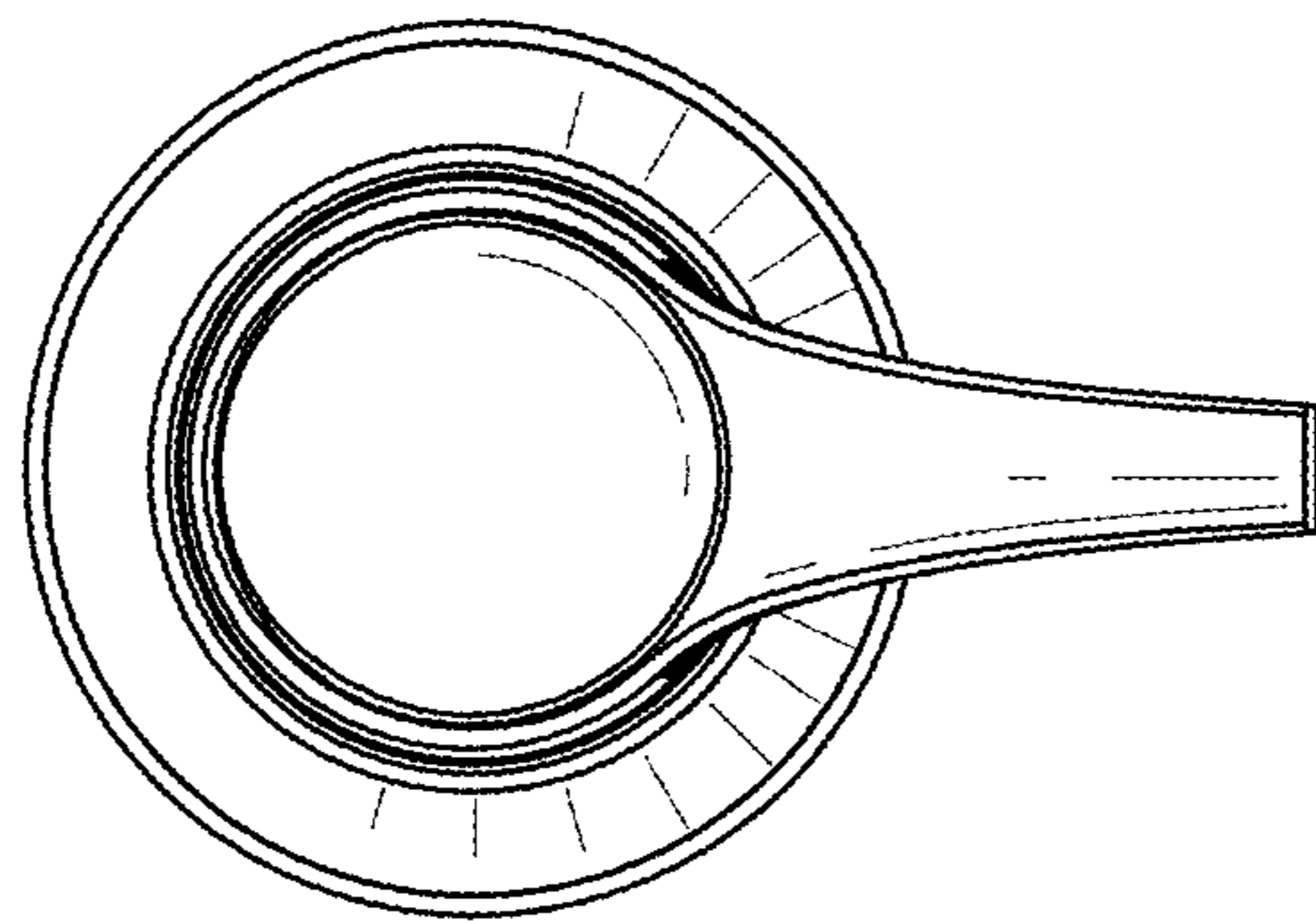


Fig. 7