



US00D718146S

(12) **United States Design Patent**
Tussy

(10) **Patent No.:** **US D718,146 S**

(45) **Date of Patent:** **** Nov. 25, 2014**

(54) **FOOTBALL-SHAPED BOTTLE**
(71) Applicant: **Kevin Alan Tussy**, Henderson, NV (US)
(72) Inventor: **Kevin Alan Tussy**, Henderson, NV (US)
(**) Term: **14 Years**
(21) Appl. No.: **29/465,746**

D425,757 S * 5/2000 Printz et al. D7/515
D511,212 S * 11/2005 Whalen D7/901
D518,596 S * 4/2006 Angeletta D9/668
D571,670 S * 6/2008 Lepoitevin D9/668
D578,408 S * 10/2008 Lepoitevin D9/668
D580,775 S * 11/2008 Harris D9/668
D614,504 S * 4/2010 Coat D9/668
D627,233 S * 11/2010 Blakeman D9/668
D637,239 S * 5/2011 Walterscheid D21/712
D666,919 S * 9/2012 Gelin D9/668

* cited by examiner

(22) Filed: **Aug. 30, 2013**
(51) **LOC (10) Cl.** **09-01**
(52) **U.S. Cl.**
USPC **D9/668**

Primary Examiner — Sandra Morris
(74) *Attorney, Agent, or Firm* — Weide & Miller, Ltd.

(58) **Field of Classification Search**
USPC D9/600, 655–664, 516, 523, 544–546;
206/494, 457, 527, 540, 830; 215/400;
220/260, 890; 229/116.1, 116.2;
D7/514–517, 519, 619.2, 628, 901;
D21/712
See application file for complete search history.

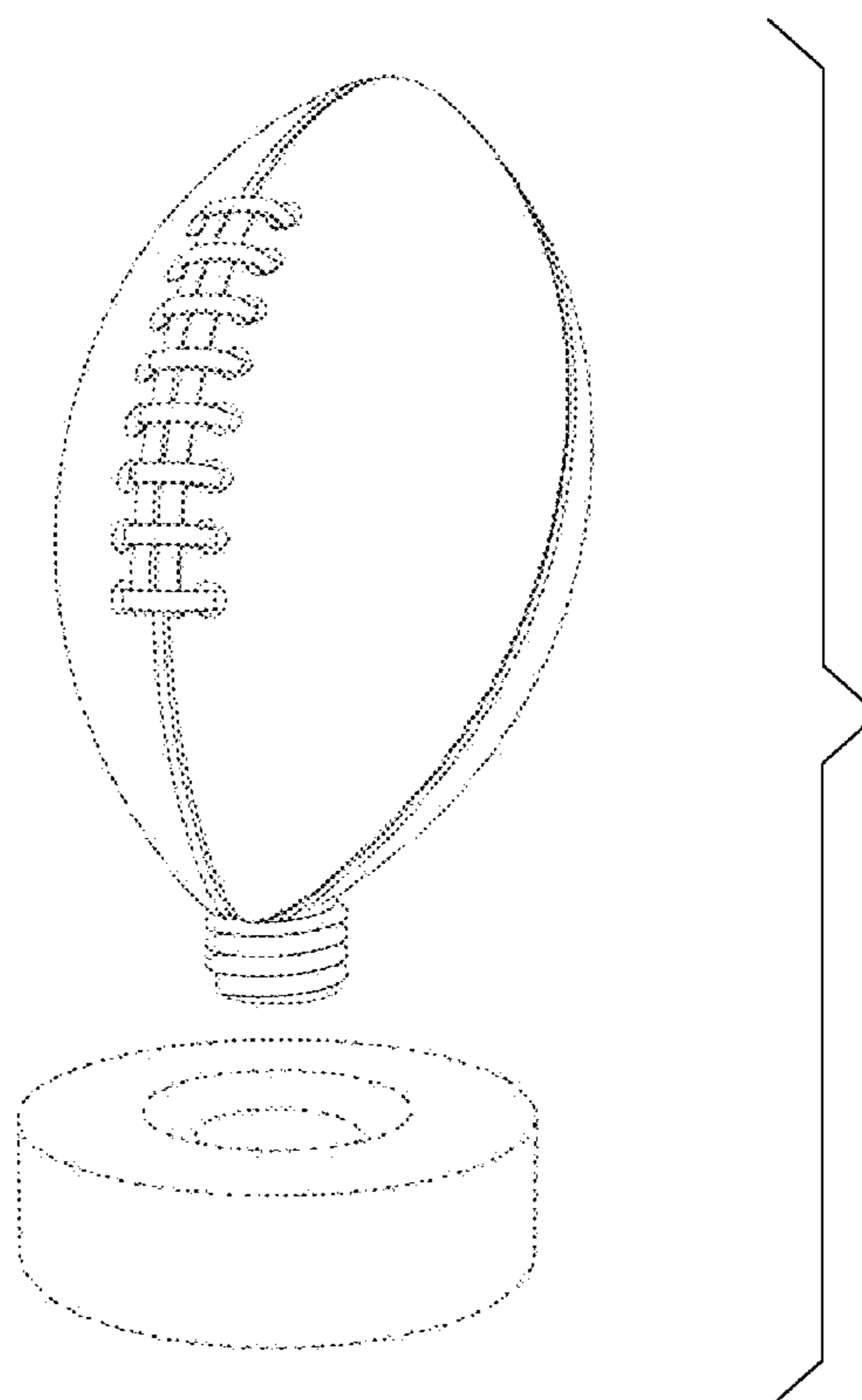
(57) **CLAIM**
The ornamental design for a football-shaped bottle, as shown and described.

DESCRIPTION

FIG. 1 is a perspective view of a football-shaped bottle in accordance with the present invention;
FIG. 2 is a front view thereof;
FIG. 3 is an exploded perspective view thereof;
FIG. 4 is a top view thereof;
FIG. 5 is a bottom view thereof;
FIG. 6 is a side view thereof; and,
FIG. 7 is an exploded side view thereof.
The broken line showing is for illustrative purposes only, and forms no part of the claimed design.

(56) **References Cited**
U.S. PATENT DOCUMENTS
D228,328 S * 9/1973 Schley D7/515
D310,137 S * 8/1990 Mays D21/712
D319,008 S * 8/1991 Leon D9/668
D391,155 S * 2/1998 Edson et al. D9/668
D409,904 S * 5/1999 Clements et al. D9/668
D424,375 S * 5/2000 D'Arrigo D7/515
D424,876 S * 5/2000 McPartland D7/515

1 Claim, 7 Drawing Sheets



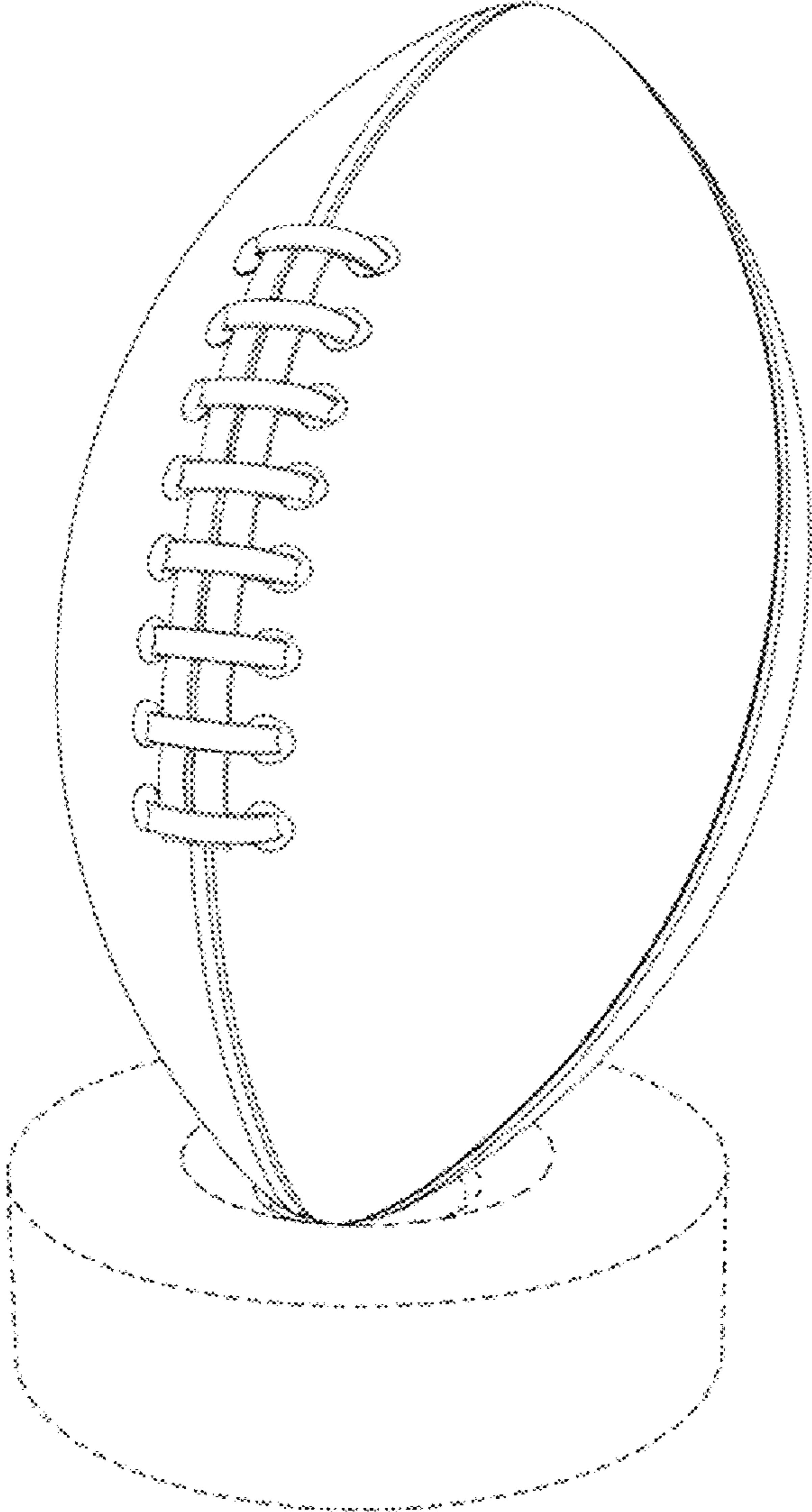


FIG. 1

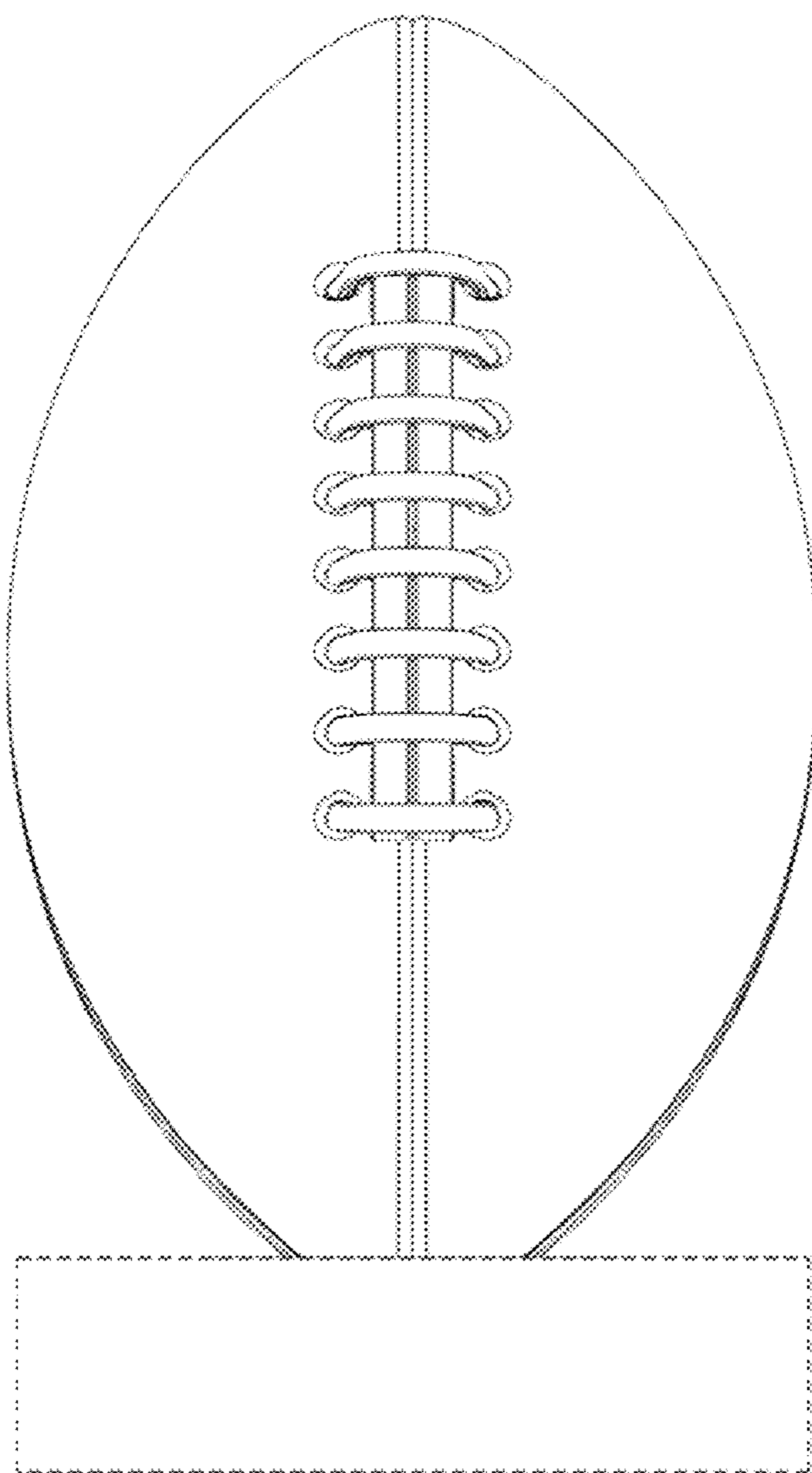


FIG. 2

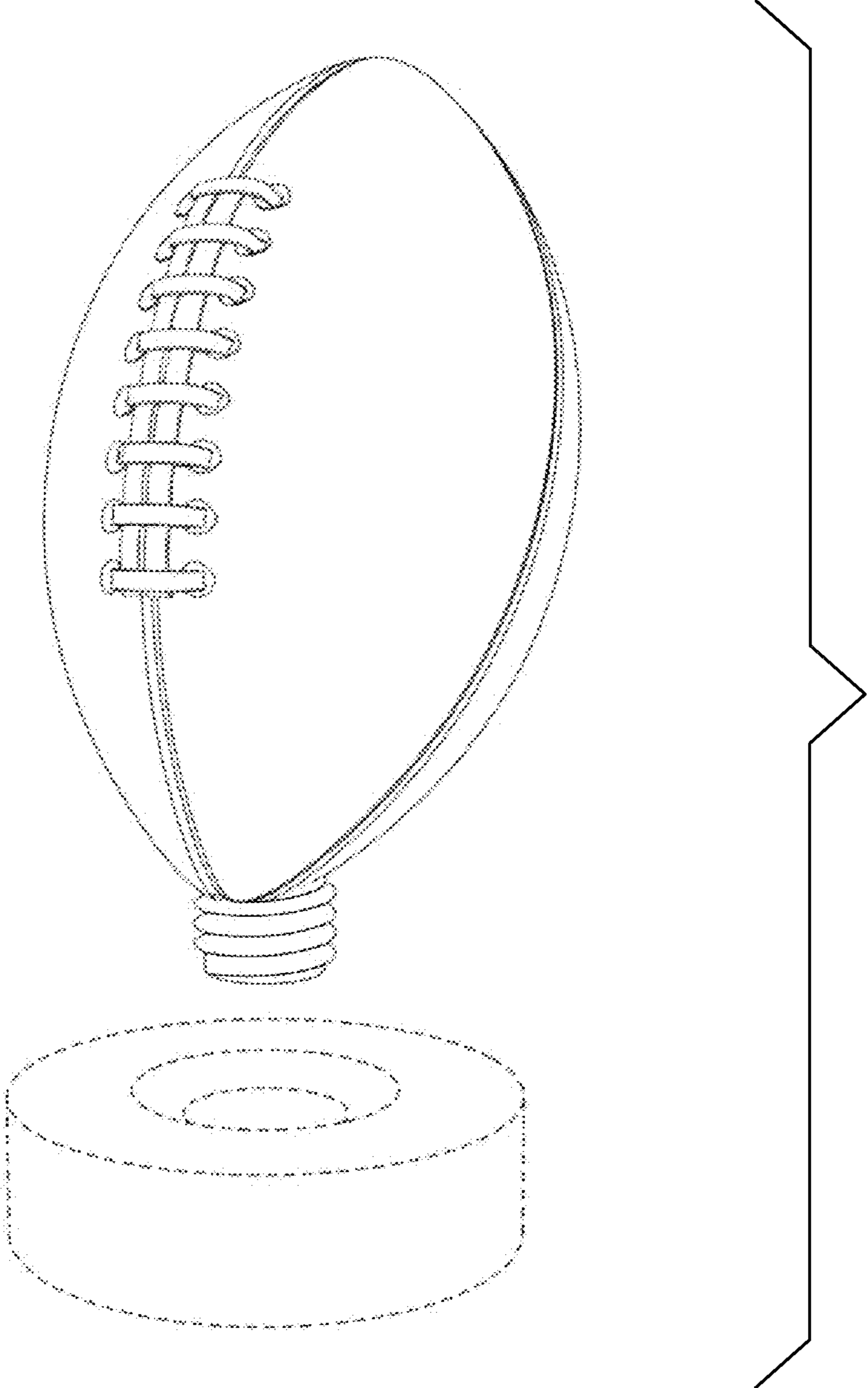


FIG. 3

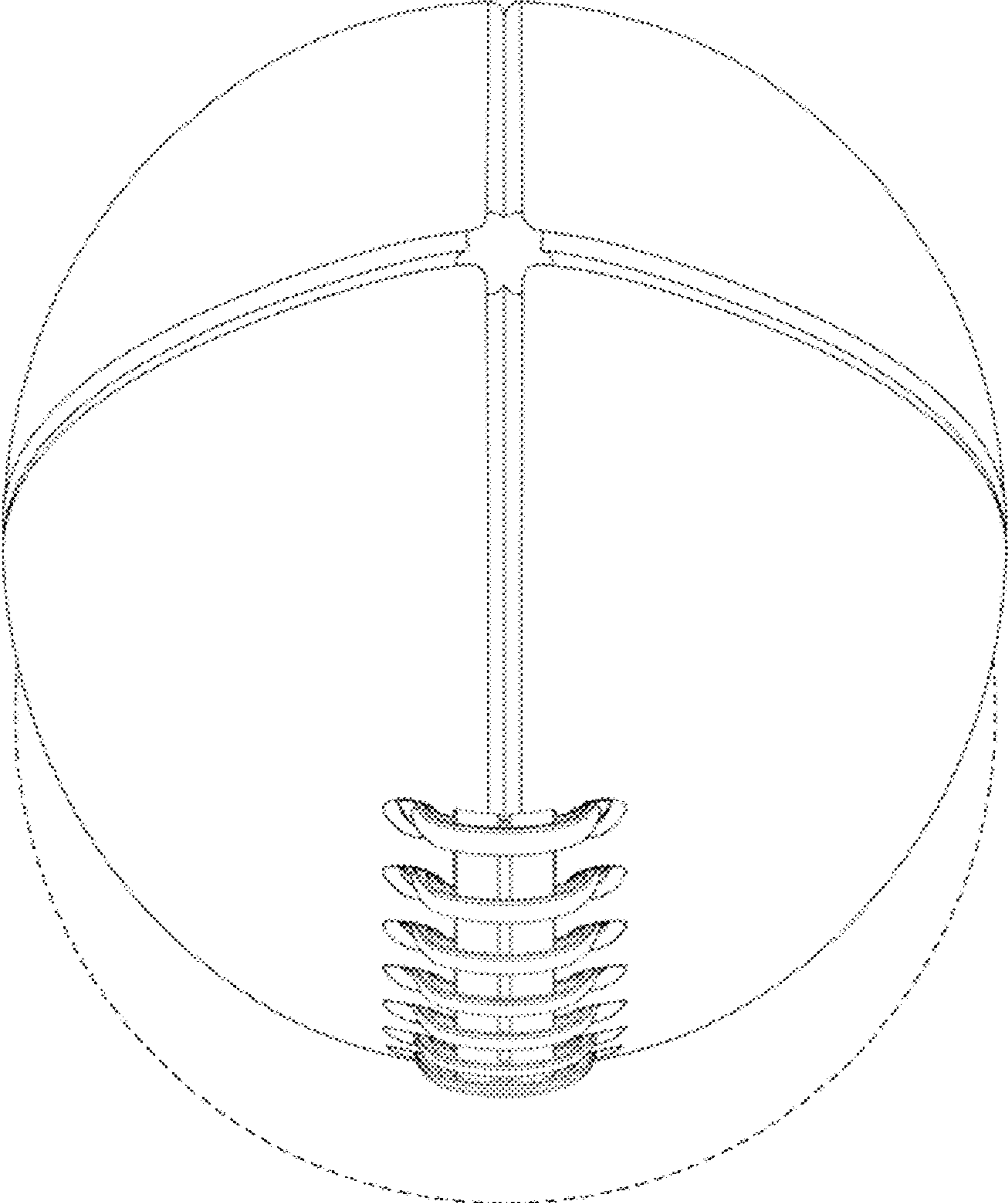


FIG. 4

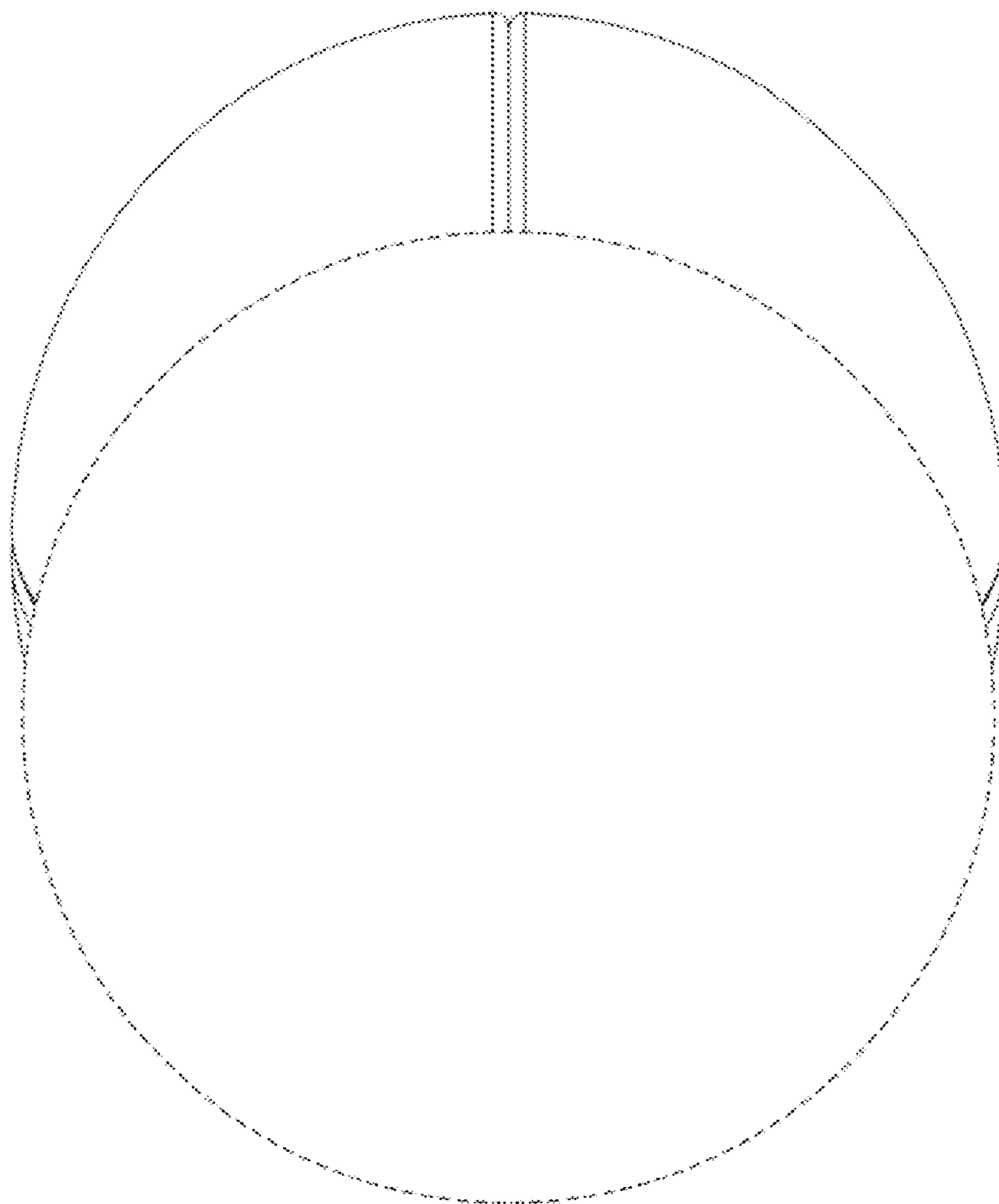


FIG. 5

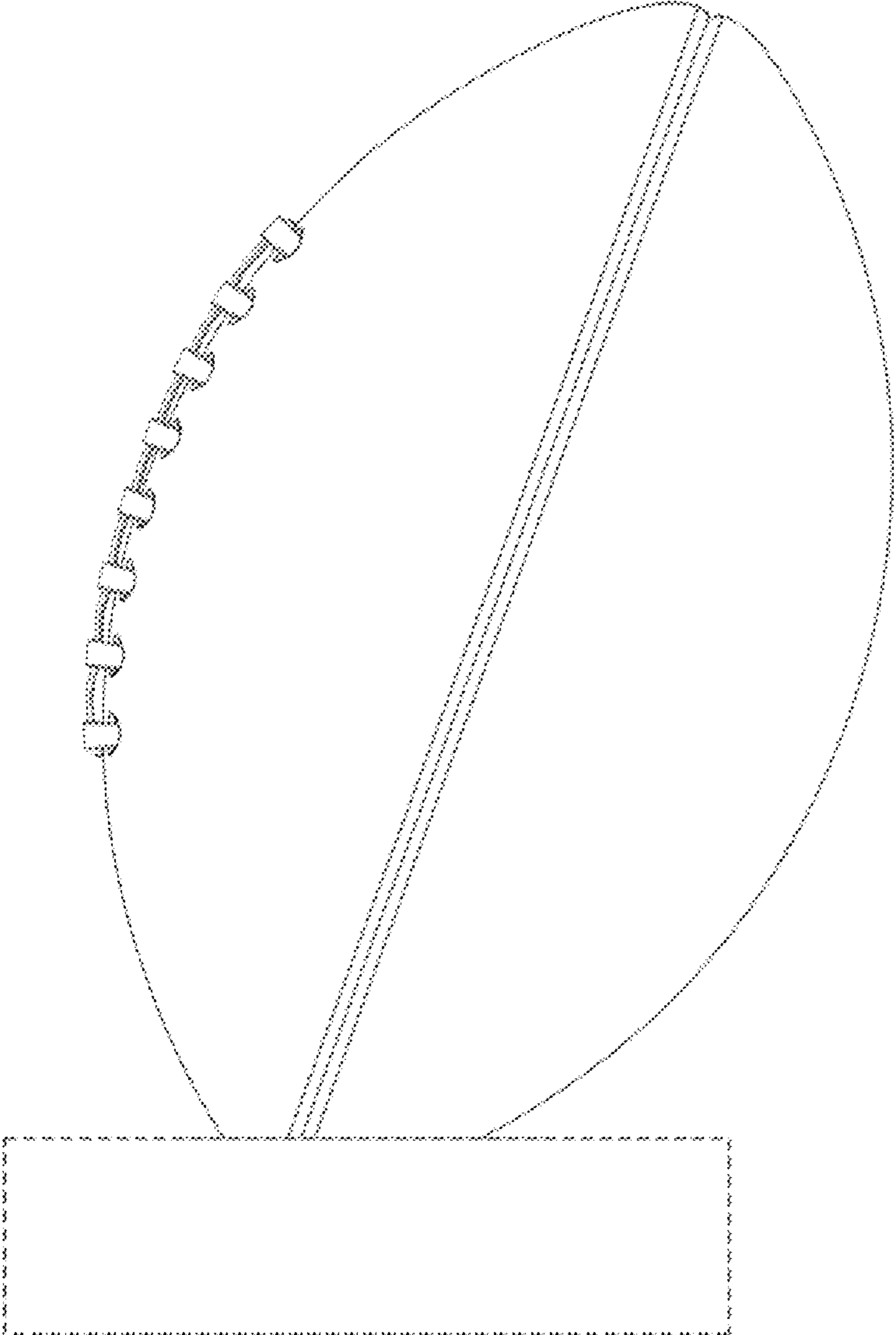


FIG. 6

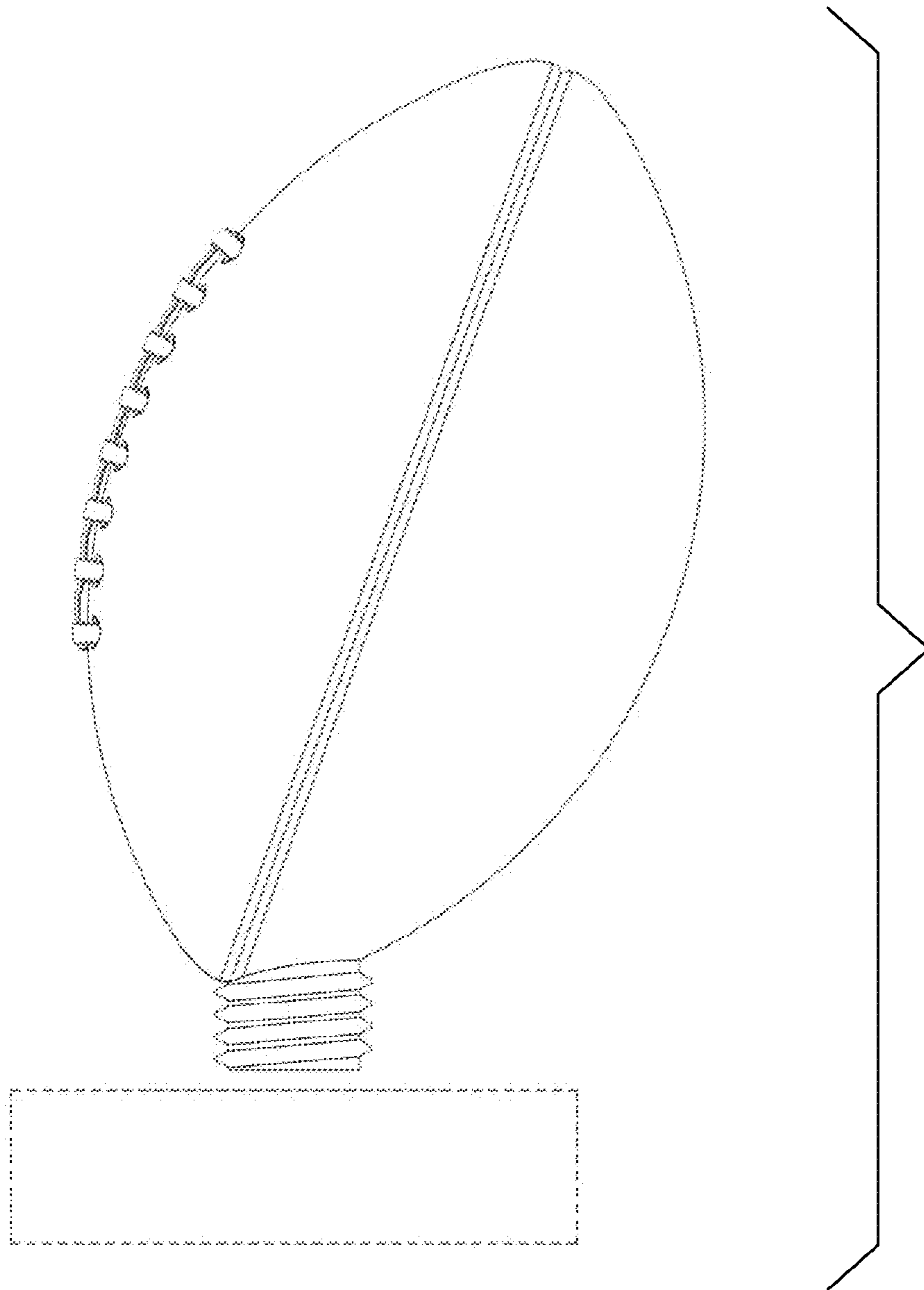


FIG. 7