



US00D718141S

(12) **United States Design Patent**  
**Ahlgren et al.**

(10) **Patent No.:** **US D718,141 S**  
(45) **Date of Patent:** **\*\* Nov. 25, 2014**

- (54) **BOTTLE**
- (71) Applicant: **Absolut Holding Inc.**, Stockholm (SE)
- (72) Inventors: **Urban Ahlgren**, Stockholm (SE); **Stefan Wennerstrom**, Stockholm (SE); **Thomas Schaad**, Stockholm (SE)
- (73) Assignee: **The Absolut Company AB**, Stockholm (SE)
- (\*\*) Term: **14 Years**
- (21) Appl. No.: **29/477,185**
- (22) Filed: **Dec. 19, 2013**

**Related U.S. Application Data**

- (62) Division of application No. 29/419,466, filed on Apr. 27, 2012, now Pat. No. Des. 697,405.
- (51) **LOC (10) Cl.** ..... **09-01**
- (52) **U.S. Cl.**  
USPC ..... **D9/516; D9/552; D9/558**
- (58) **Field of Classification Search**  
CPC ..... B65D 1/00; B65D 1/02; B65D 1/0223;  
B65D 1/40; B65D 11/00; B65D 11/02;  
B65D 23/00; B65D 2501/0009  
USPC ..... D9/500, 502-505, 516, 537, 539-540,  
D9/545, 549, 558, 682, 685-686, 688-692,  
D9/763, 772-773, 552, 554, 764, 434-435,  
D9/452, 454, 530, 544, 574; 215/379, 382,  
215/381; 220/660, 669-673, 675; D7/300,  
D7/300.1, 598  
See application file for complete search history.

(56) **References Cited**

**U.S. PATENT DOCUMENTS**

D71,919 S	1/1927	Mas
D233,216 S	10/1974	Cachero

D286,614 S	11/1986	Melville	
D397,141 S	8/1998	Ichimaru et al.	
D421,910 S *	3/2000	Warner et al.	D9/520
D435,108 S *	12/2000	Chomik et al.	D24/197
6,308,846 B1 *	10/2001	Muller	215/13.1
D506,135 S	6/2005	Breier et al.	
D545,194 S	6/2007	Goudsblom	

(Continued)

**FOREIGN PATENT DOCUMENTS**

EM	001900416-0001	8/2001
EM	000020243-0001	4/2003

(Continued)

**OTHER PUBLICATIONS**

Trademark 000756940 filed Feb. 25, 1998.

(Continued)

*Primary Examiner* — Ian Simmons

*Assistant Examiner* — Dana L Meyrow

(74) *Attorney, Agent, or Firm* — Knobbe Martens Olson & Bear LLP

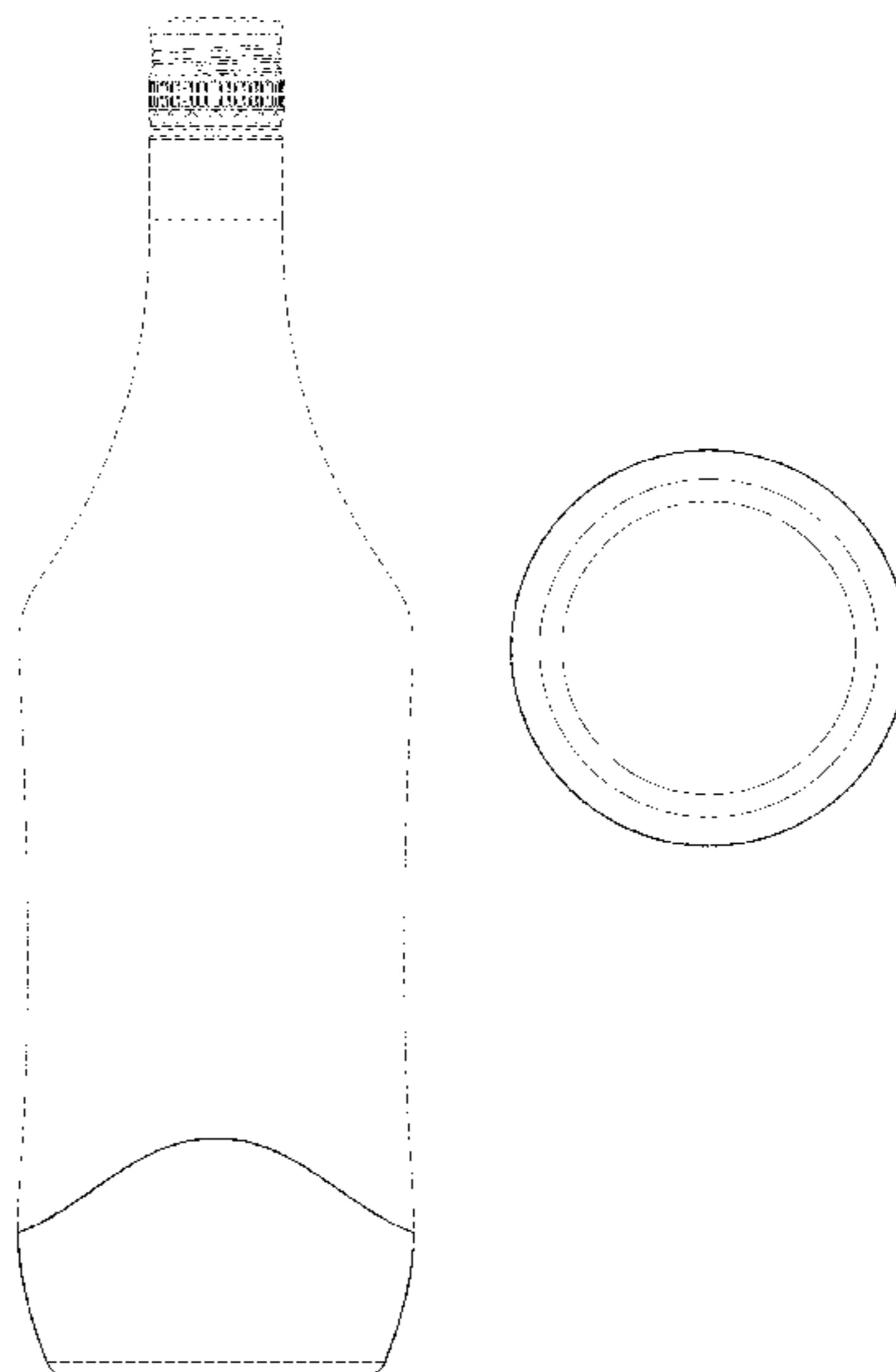
(57) **CLAIM**

The ornamental design for a bottle, as shown and described.

**DESCRIPTION**

FIG. 1 is a front elevation view of a bottle showing our new design, the rear elevation view being identical.  
 FIG. 2 is a side elevation view thereof, the opposing side elevation view being identical.  
 FIG. 3 is a bottom perspective view thereof.  
 FIG. 4 is a top perspective view thereof; and,  
 FIG. 5 is a bottom plan view thereof.  
 The broken lines in the drawings illustrate the portions of the design that form no part of the claim.

**1 Claim, 5 Drawing Sheets**



(56)

**References Cited**

U.S. PATENT DOCUMENTS

D635,861 S \* 4/2011 Caldwell ..... D9/550  
 D666,912 S 9/2012 Kawai  
 D697,405 S \* 1/2014 Ahlgren et al. .... D9/500

FOREIGN PATENT DOCUMENTS

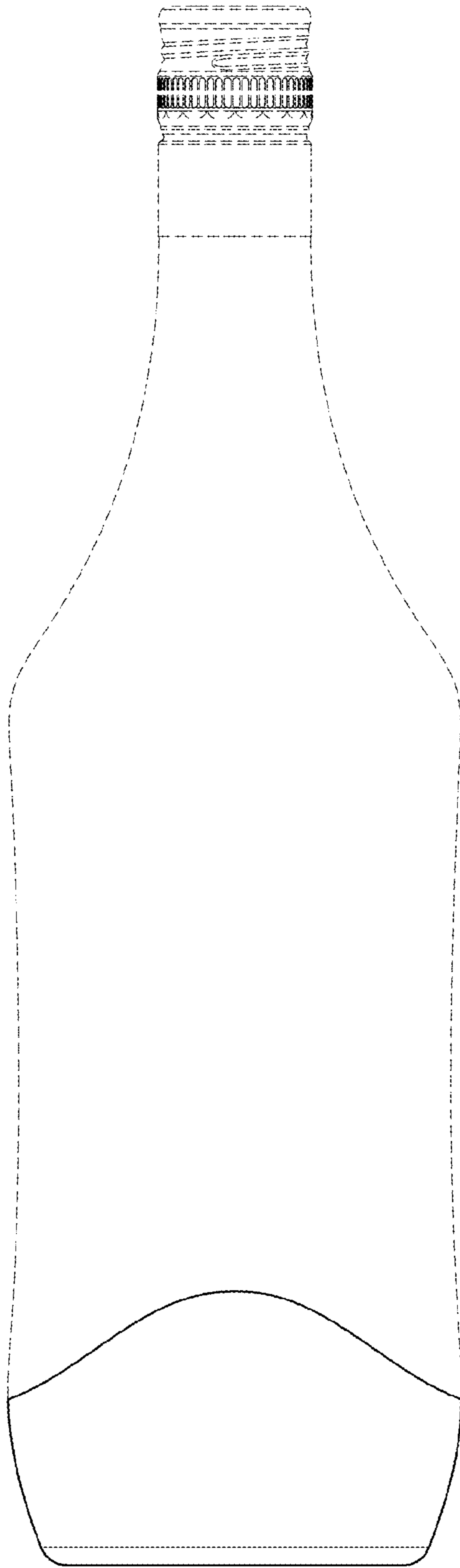
EM 000290671-0001 1/2004  
 EM 000016814-0001 4/2004  
 EM 000168414-0002 4/2004  
 EM 000168414-0003 4/2004  
 EM 000181128-0001 5/2004  
 EM 000181128-0002 5/2004  
 EM 000181128-0003 5/2004  
 EM 000221635-0002 9/2004  
 EM 000436811-0001 11/2004  
 EM 000273602-0001 12/2004  
 EM 000273602-0002 12/2004  
 EM 000282496-0001 1/2005  
 EM 000282512-0001 1/2005  
 EM 000313473-0001 3/2005  
 EM 000318217-0001 3/2005  
 EM 000318233-0001 3/2005  
 EM 000318241-0001 3/2005  
 EM 000394614-0001 9/2005  
 EM 000416623-0001 10/2005

EM 000436811-0002 11/2005  
 EM 000403969-0001 12/2005  
 EM 000403969-0002 12/2005  
 EM 000403969-0003 12/2005  
 EM 000403969-0004 12/2005  
 EM 000403969-0005 12/2005  
 EM 000403969-0006 12/2005  
 EM 000475090-0001 2/2006  
 EM 000483045-0001 2/2006  
 EM 000483045-0002 2/2006  
 EM 000483045-0003 2/2006  
 EM 000483045-0004 2/2006  
 EM 000526439-0001 5/2006  
 EM 000526439-0002 5/2006  
 EM 000526439-0003 5/2006  
 EM 000564364-0001 7/2006  
 EM 000593165-0001 9/2006  
 EM 000619184-0001 11/2006  
 EM 000660477-0001 1/2007  
 EM 000677075-0001 2/2007  
 EM 001061378-0001 12/2008  
 IN 204491 4/2009  
 IN 221304 4/2009

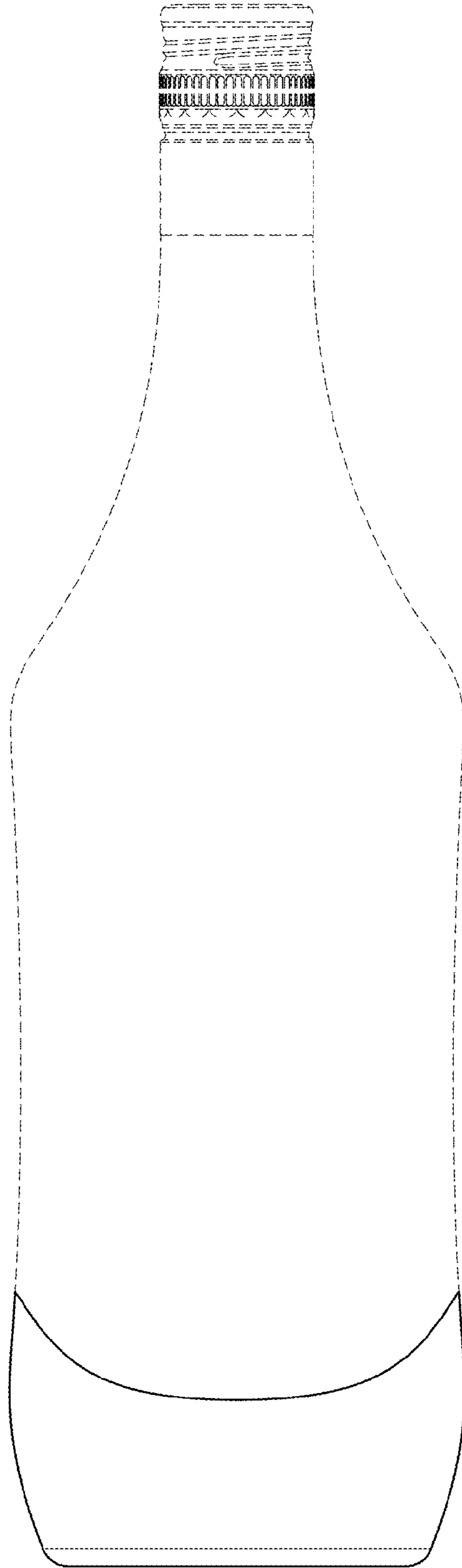
OTHER PUBLICATIONS

Trademark 0008604753 filed Aug. 10, 2009.

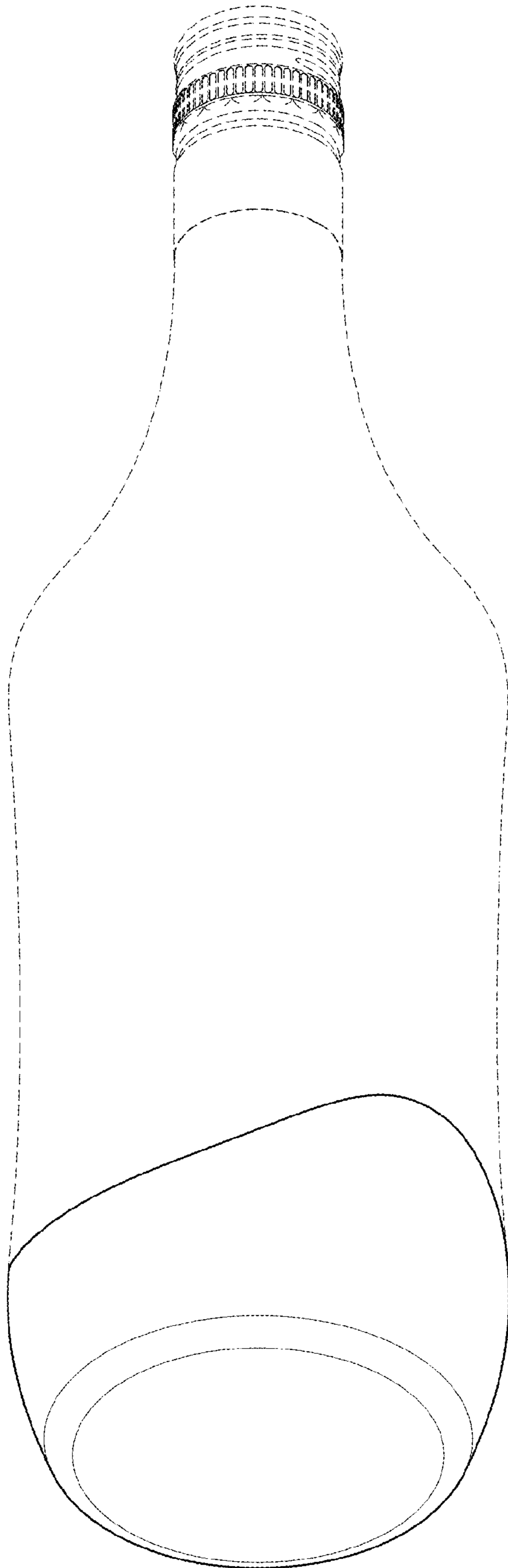
\* cited by examiner



*FIG. 1*



*FIG. 2*



*FIG. 3*

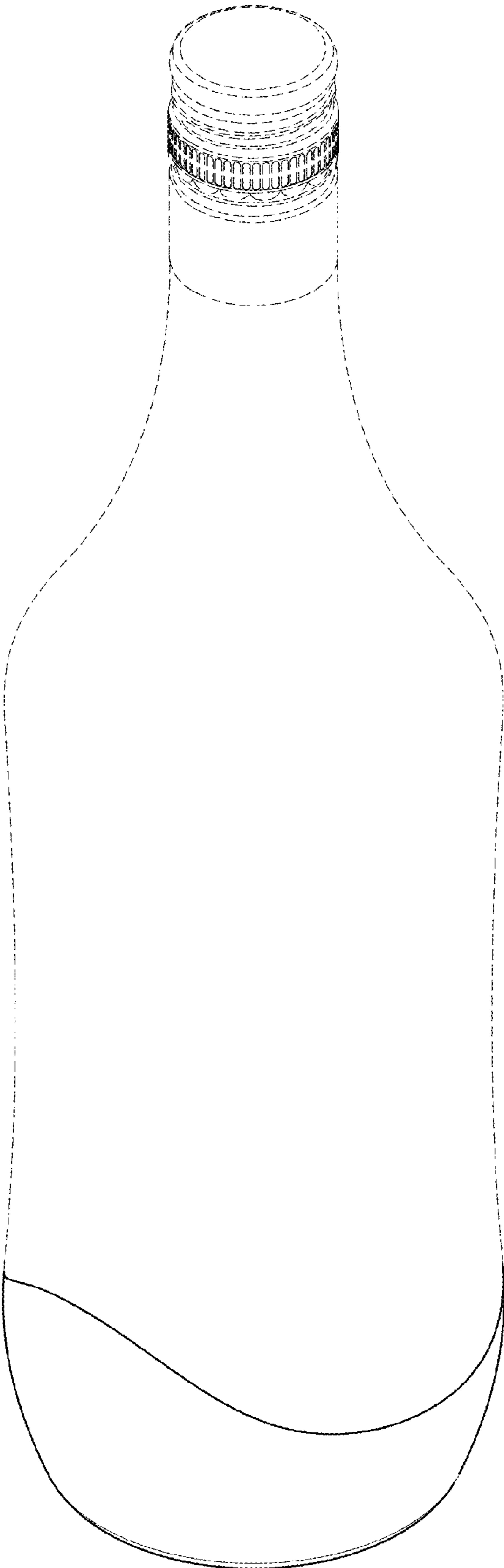
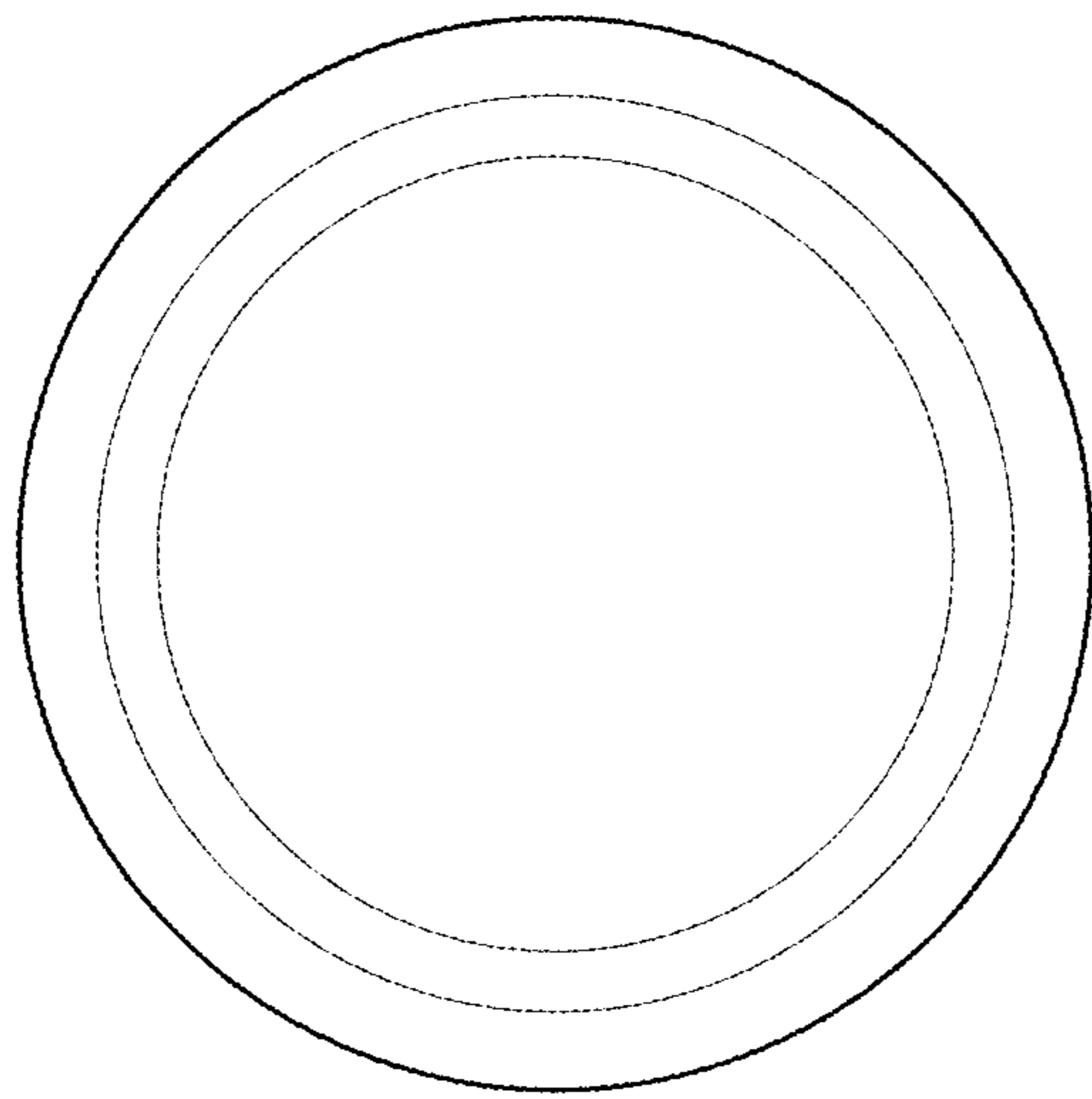


FIG. 4



*FIG. 5*