



US00D718140S

(12) **United States Design Patent**  
**Paredes et al.**

(10) **Patent No.:** **US D718,140 S**  
(45) **Date of Patent:** **\*\* Nov. 25, 2014**

(54) **CONTAINER FINISH**

- (71) Applicant: **Owens-Brockway Glass Container Inc.**, Perrysburg, OH (US)
- (72) Inventors: **Raul M. Paredes**, Perrysburg, OH (US); **Edward A. Grant**, Northwood, OH (US); **Donald P. Delagrange**, Lambertville, MI (US)
- (73) Assignee: **Owens-Brockway Glass Container Inc.**, Perrysburg, OH (US)
- (\*\*) Term: **14 Years**
- (21) Appl. No.: **29/471,615**
- (22) Filed: **Nov. 4, 2013**

**Related U.S. Application Data**

- (62) Division of application No. 29/418,028, filed on Apr. 11, 2012, now abandoned.
- (51) **LOC (10) Cl.** ..... **09-01**
- (52) **U.S. Cl.**  
USPC ..... **D9/516**
- (58) **Field of Classification Search**  
CPC ..... B65D 1/00; B65D 1/02; B65D 1/0223;  
B65D 1/023; B65D 1/0246; B65D 1/40;  
B65D 23/00; B65D 23/04; B65D 25/00;  
B65D 25/40; B65D 25/42  
USPC ..... D9/434-435, 447, 500, 502-505, 516,  
D9/537, 539, 549-550, 558, 575;  
D3/203.2; D24/115, 224; 206/540,  
206/828; 215/40-46, 47; 221/303; 222/540,  
222/572, 574-575, 567  
See application file for complete search history.

(56) **References Cited**

**U.S. PATENT DOCUMENTS**

1,108,023 A 8/1914 Texter  
1,814,659 A 7/1931 Barroll

(Continued)

**FOREIGN PATENT DOCUMENTS**

WO 2004065249 8/2004

**OTHER PUBLICATIONS**

U.S. Appl. No. 13/875,006, filed May 1, 2013, Brian J. Brozell, et al.

(Continued)

*Primary Examiner* — Ian Simmons  
*Assistant Examiner* — Dana L Meyrow

(57) **CLAIM**

We claim the ornamental design for a container finish, as shown and described.

**DESCRIPTION**

FIG. 1 is a perspective view of a container finish in accordance with our new design.

FIG. 2 is a front elevational view of the container finish in FIG. 1.

FIG. 3 is a side elevational view of the container finish in FIGS. 1 and 2 taken from the left in FIG. 2.

FIG. 4 is a side elevational view of the container finish in FIGS. 1-3 taken from the right in FIG. 2.

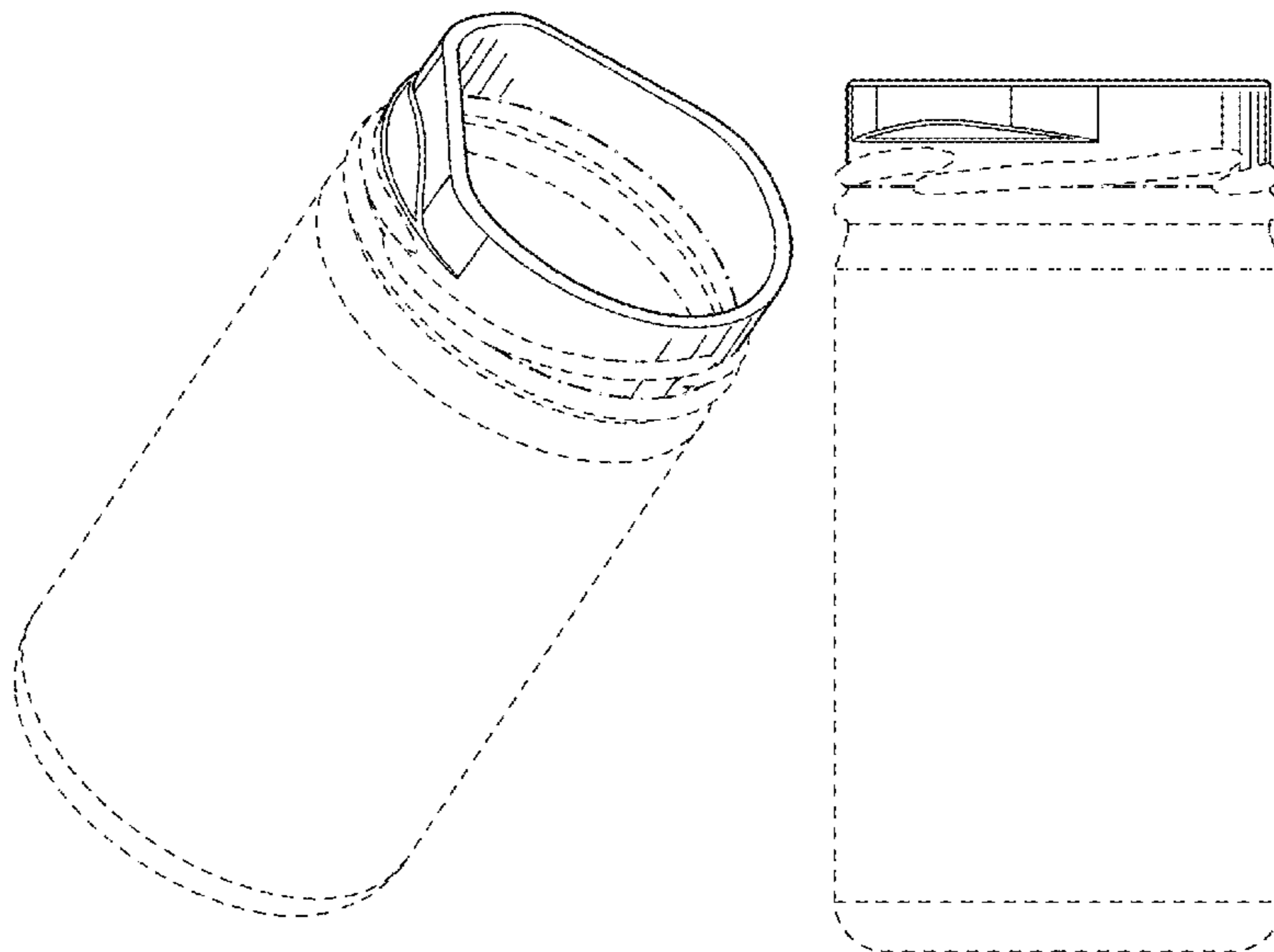
FIG. 5 is a rear elevational view of the container finish in FIG. 2; and,

FIG. 6 is a top plan view of the container finish in FIG. 2.

The evenly-dashed broken lines in the drawings showing the body of the container and the finish threads illustrate the portions of the design that form no part of the claim.

Dash-dot-dash broken lines shown in the drawings represent boundaries of the claimed design and are not part of the claimed design.

**1 Claim, 3 Drawing Sheets**



(56)

References Cited

U.S. PATENT DOCUMENTS

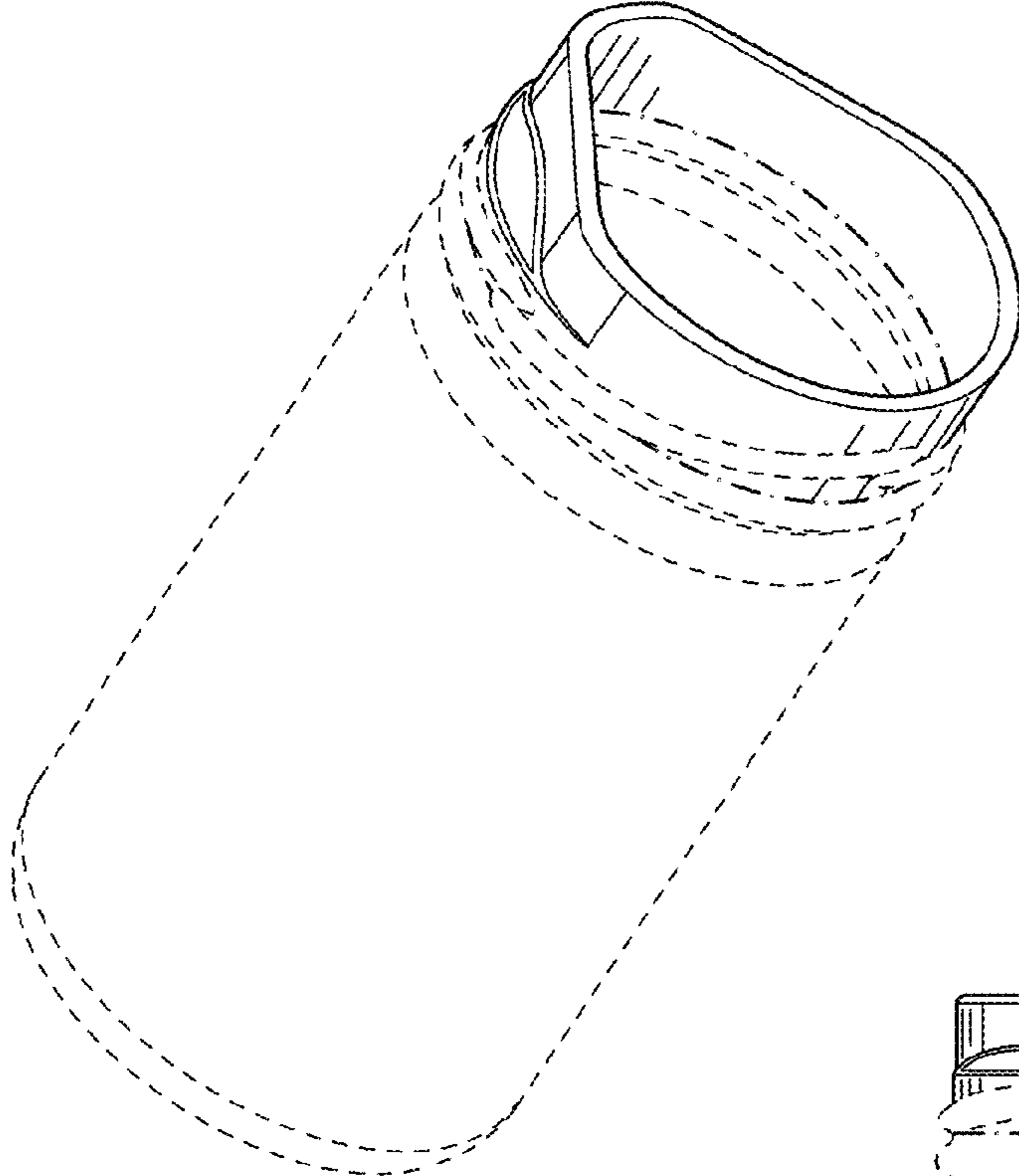
2,035,877 A 3/1936 Geerlings  
 2,039,345 A 5/1936 Ravenscroft  
 2,059,910 A 11/1936 Ravenscroft  
 2,075,776 A 3/1937 Barnby  
 RE20,427 E 6/1937 Geerlings  
 2,135,330 A 11/1938 Desser  
 2,428,588 A 10/1947 Schroeder et al.  
 2,688,823 A 9/1954 Weber  
 3,022,916 A 2/1962 Spooner  
 3,235,111 A 2/1966 Whitton, Jr. et al.  
 3,247,994 A 4/1966 Fuglsang-Madsen et al.  
 3,285,452 A 11/1966 Moloney et al.  
 D207,051 S \* 2/1967 Bainbridge ..... D9/447  
 3,400,846 A 9/1968 Kelly  
 3,537,498 A 11/1970 St. Amand  
 3,700,146 A 10/1972 Cousins et al.  
 3,738,524 A 6/1973 Richie  
 3,885,696 A 5/1975 Eberhardt  
 D262,193 S \* 12/1981 Fowkes ..... D9/447  
 4,674,644 A 6/1987 Jacobs  
 4,732,289 A 3/1988 Granat et al.  
 5,012,960 A \* 5/1991 Arnold ..... 222/570  
 D341,318 S \* 11/1993 Brown ..... D9/447  
 5,372,284 A 12/1994 Mock  
 5,947,309 A 9/1999 Anderson  
 5,964,383 A 10/1999 Cargile  
 6,059,153 A 5/2000 Olson et al.

6,085,949 A 7/2000 Zimny et al.  
 6,213,338 B1 4/2001 Cogdill  
 6,609,638 B1 8/2003 Lott  
 6,695,162 B1 2/2004 Boukobza et al.  
 D494,868 S 8/2004 Walsh et al.  
 6,814,248 B2 11/2004 Beck et al.  
 D510,266 S \* 10/2005 Walsh et al. .... D9/447  
 6,983,862 B2 \* 1/2006 Nottingham et al. .... 222/109  
 D515,419 S 2/2006 Manke  
 6,994,233 B2 2/2006 Dygert et al.  
 7,770,745 B2 8/2010 Weissmann et al.  
 D696,954 S \* 1/2014 Carro ..... D9/516  
 D697,799 S \* 1/2014 Sanders ..... D9/447  
 2002/0195471 A1 12/2002 Nottingham et al.  
 2007/0210123 A1 9/2007 Penny et al.  
 2007/0235477 A1 10/2007 Penny et al.  
 2007/0241141 A1 10/2007 Maki et al.  
 2008/0230573 A1 9/2008 Enahoro  
 2010/0163515 A1 7/2010 Nemoto  
 2010/0181278 A1 7/2010 Martin  
 2013/0105432 A1 5/2013 Paredes et al.  
 2014/0166606 A1 \* 6/2014 Brozell et al. .... 215/44

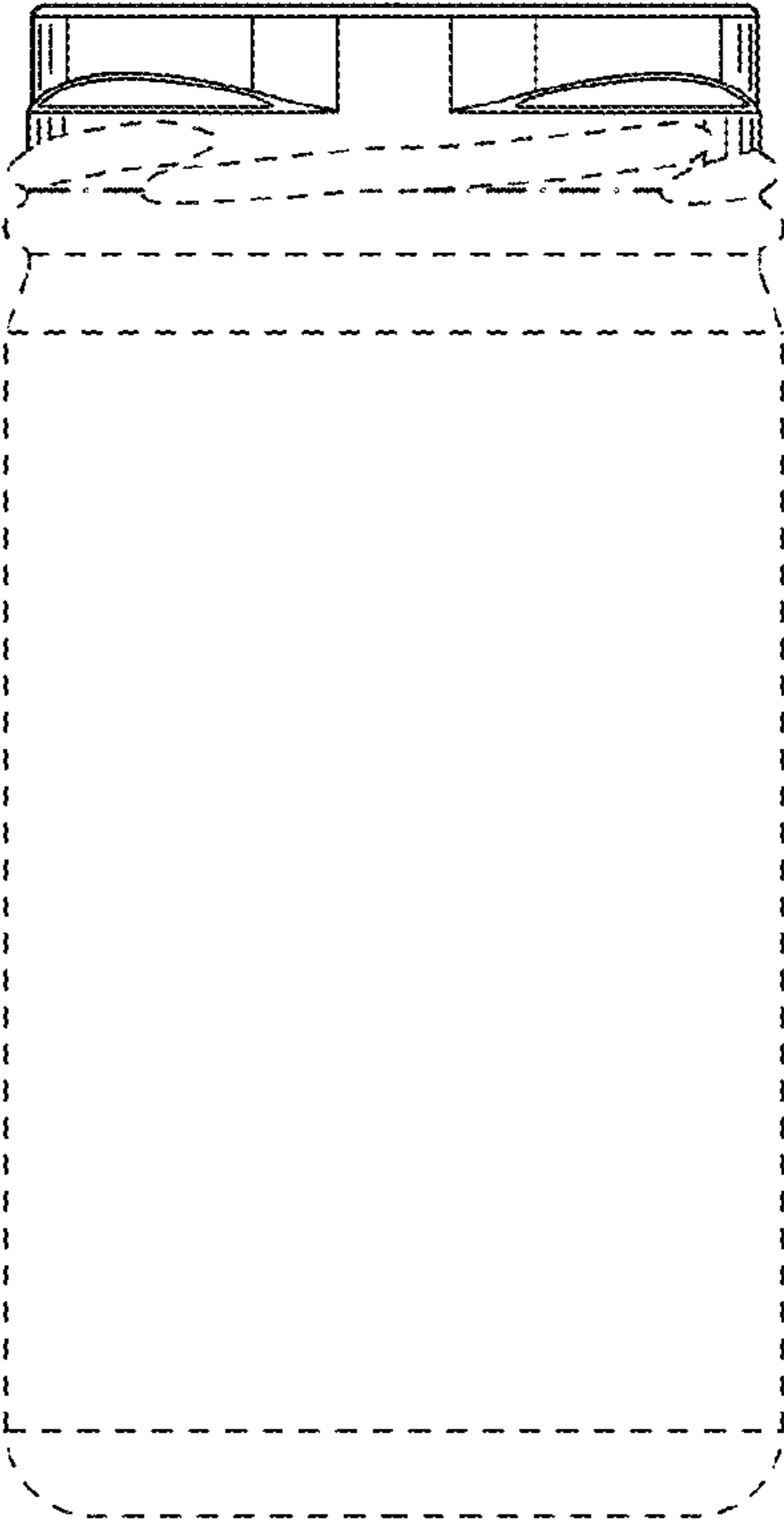
OTHER PUBLICATIONS

International Search Report and Written Opinion, International Application No. PCT/US2012/053075, International Filing Date—Aug. 30, 2012, Mailing Date—Nov. 26, 2012, 12 pages.

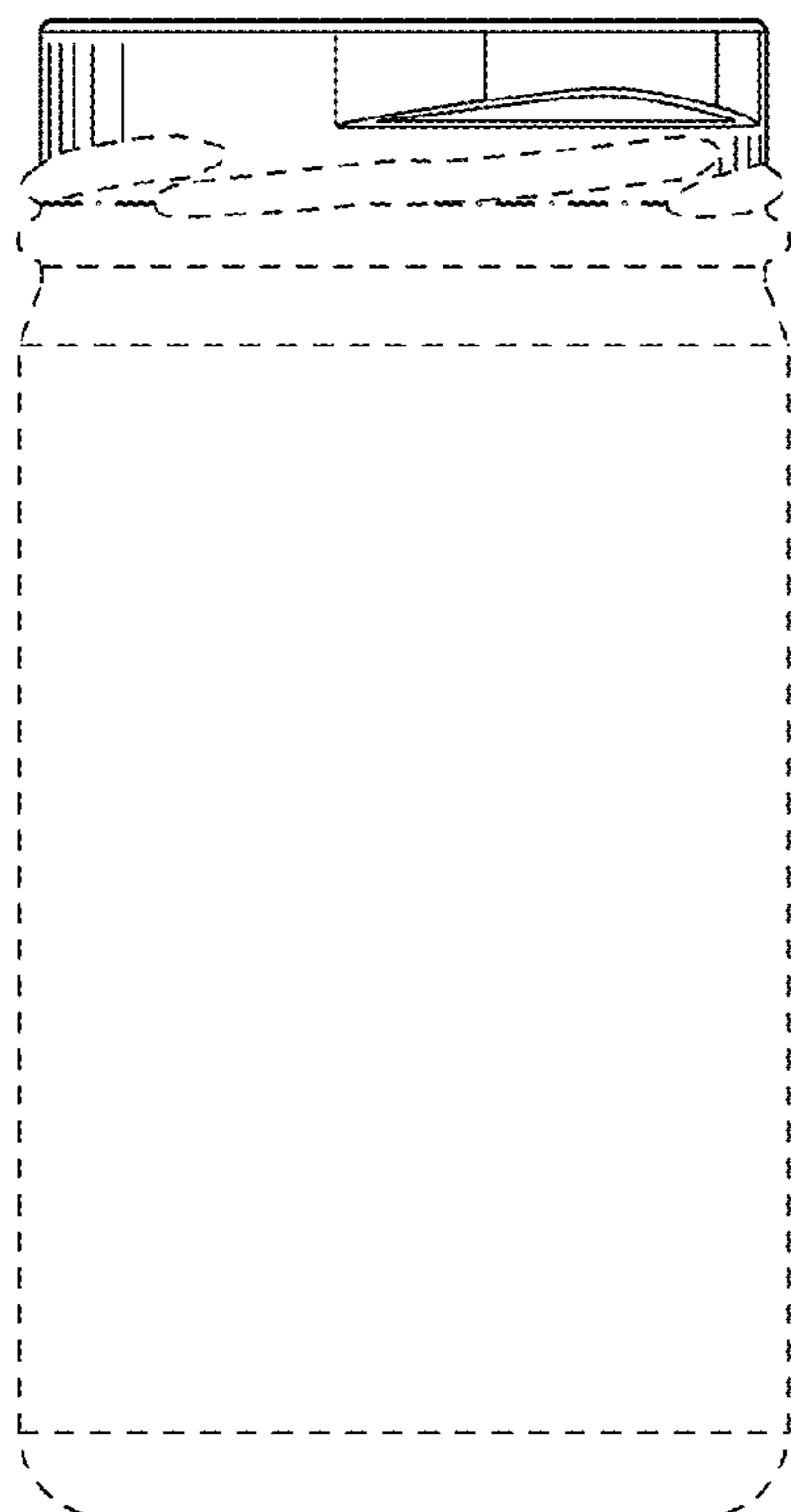
\* cited by examiner



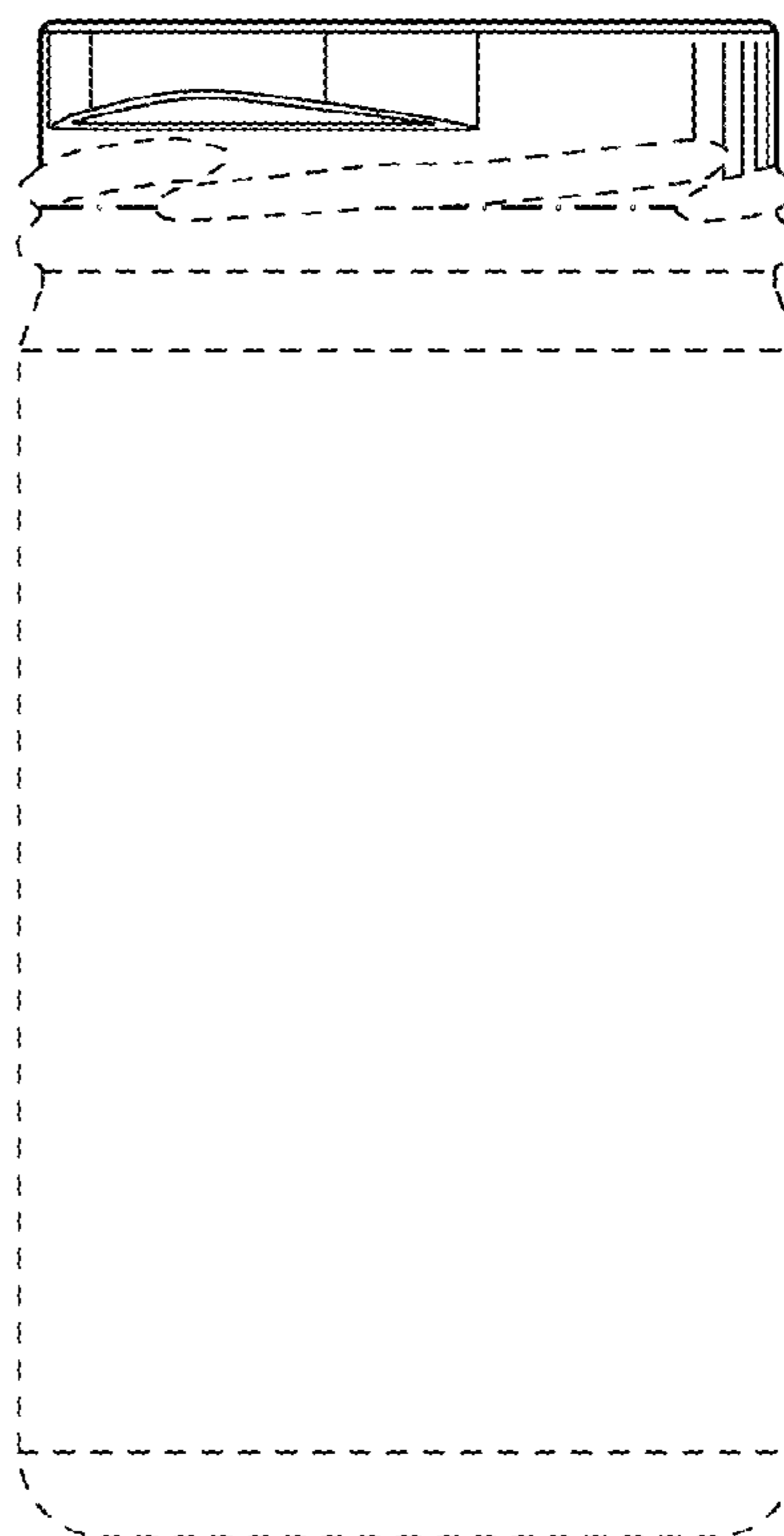
**FIG. 1**



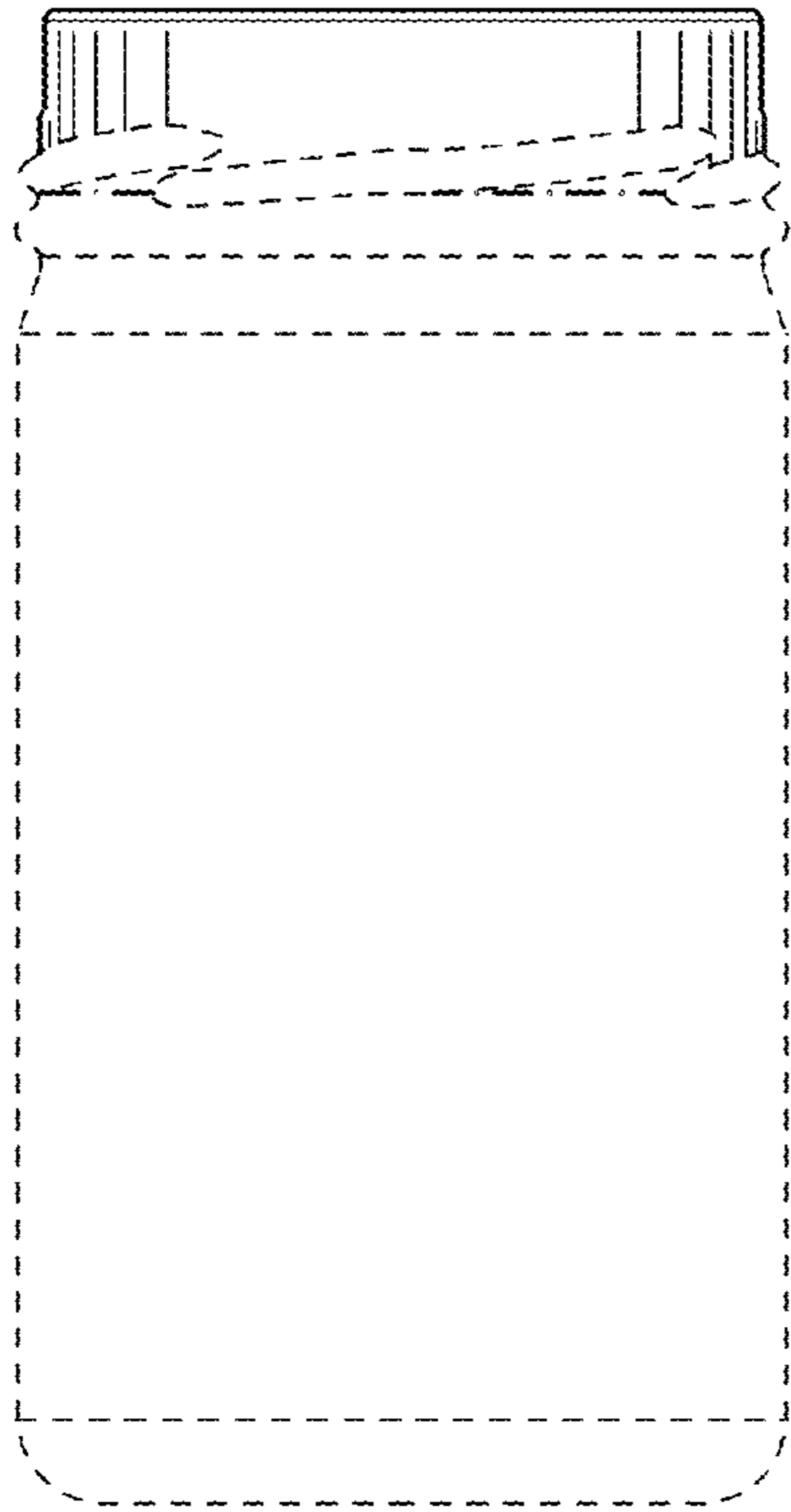
**FIG. 2**



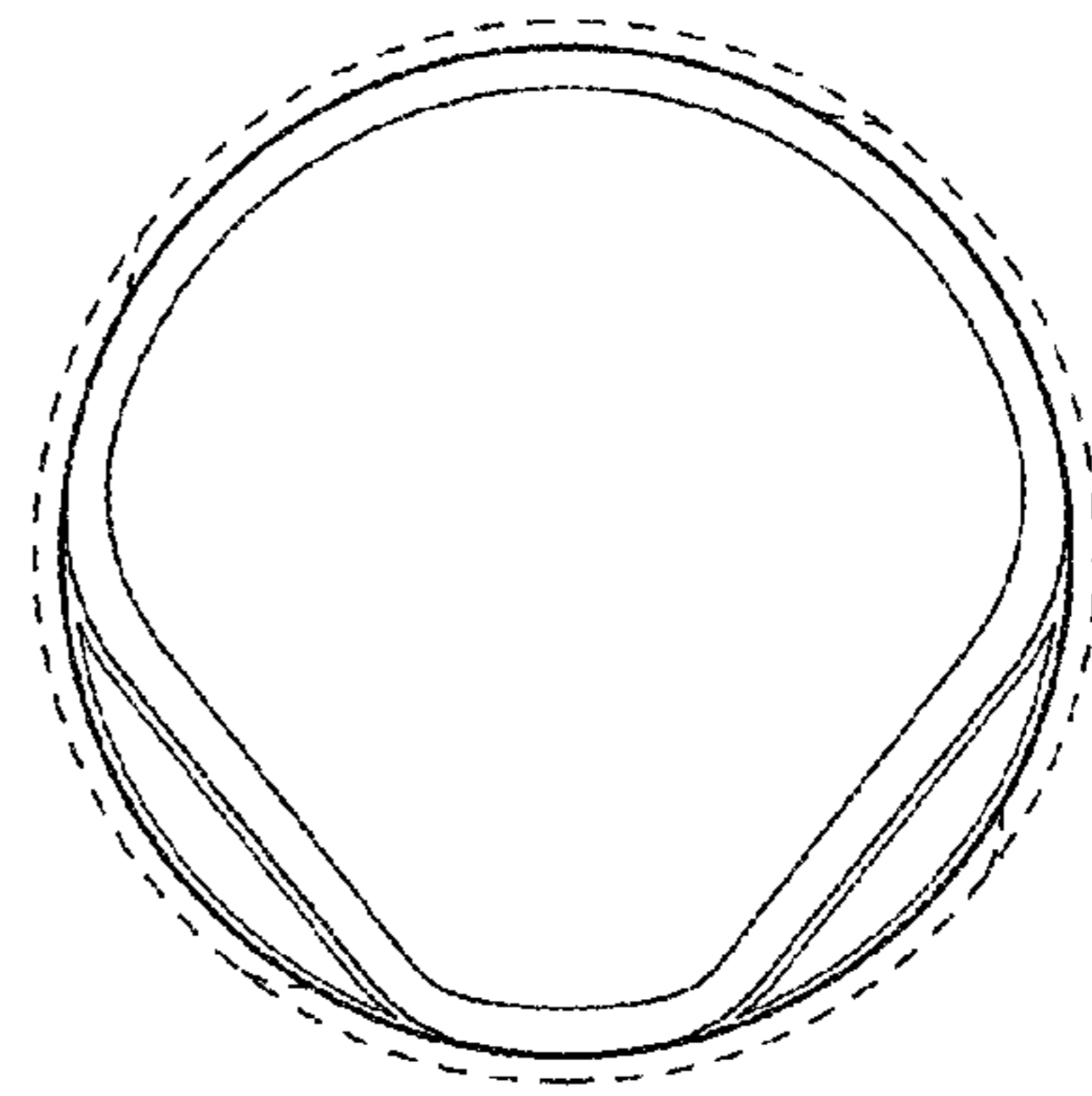
**FIG. 3**



**FIG. 4**



**FIG. 5**



**FIG. 6**