



US00D718132S

(12) **United States Design Patent**
Leventhal

(10) **Patent No.:** **US D718,132 S**

(45) **Date of Patent:** **** Nov. 25, 2014**

(54) **HAND PUMP DISPENSING HEAD**

(71) Applicant: **James Leventhal**, Needham, MA (US)

(72) Inventor: **James Leventhal**, Needham, MA (US)

(**) Term: **14 Years**

(21) Appl. No.: **29/477,526**

(22) Filed: **Dec. 23, 2013**

(51) **LOC (10) Cl.** **09-07**

(52) **U.S. Cl.**
USPC **D9/448**

(58) **Field of Classification Search**
CPC B05B 11/3001; B05B 11/0037; B67D
1/0081; A45D 19/02; A45D 19/0008; A45D
2200/057

USPC D6/542-545; D7/300, 321, 392.1,
D7/396.2, 500, 507, 509, 510, 511, 900;
D9/434-449, 452-455, 682, 685;
215/200, 235, 236, 252, 259, 329,
215/355-364; 220/200, 220, 254.1, 254.4,
220/556, 703, 704, 705, 203.04-203.07;
D28/4, 76, 88, 89, 82, 91.1;
401/264-266

See application file for complete search history.

(56) **References Cited**

U.S. PATENT DOCUMENTS

651,420 A *	6/1900	Haglock	401/264
1,860,790 A *	5/1932	Schultheiss	401/266
D319,191 S *	8/1991	Pangia	D9/448
D333,092 S *	2/1993	Moshe	D9/723
D399,601 S *	10/1998	Desnos et al.	D28/7
D438,798 S *	3/2001	Wadsworth	D9/448
D478,273 S *	8/2003	Derman	D9/691
D688,561 S *	8/2013	Bunce et al.	D9/682
D709,762 S *	7/2014	Kuo	D9/448

* cited by examiner

Primary Examiner — Robert M Spear

Assistant Examiner — Marissa J Cash

(74) *Attorney, Agent, or Firm* — Hunter Clark PLLC

(57) **CLAIM**

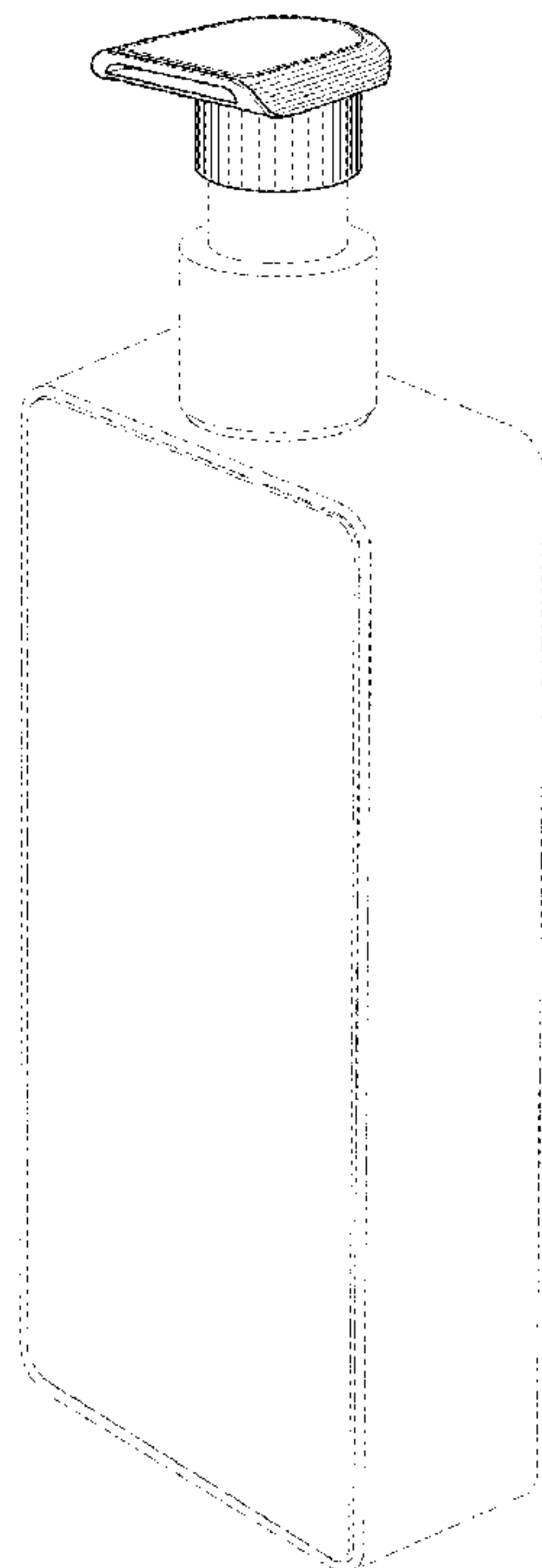
The ornamental design for a hand pump dispensing head, as shown and described.

DESCRIPTION

FIG. 1 is a front perspective view of a hand pump dispensing head showing my new design; FIG. 2 is a front view thereof; FIG. 3 is a back view thereof; FIG. 4 is a right side view thereof; the left side view is a mirror image of the right side view; and, FIG. 5 is a top view thereof.

The broken lines shown in the drawings are for the purpose of illustrating unclaimed portions of the hand pump dispensing head and form no part of the claimed design.

1 Claim, 3 Drawing Sheets



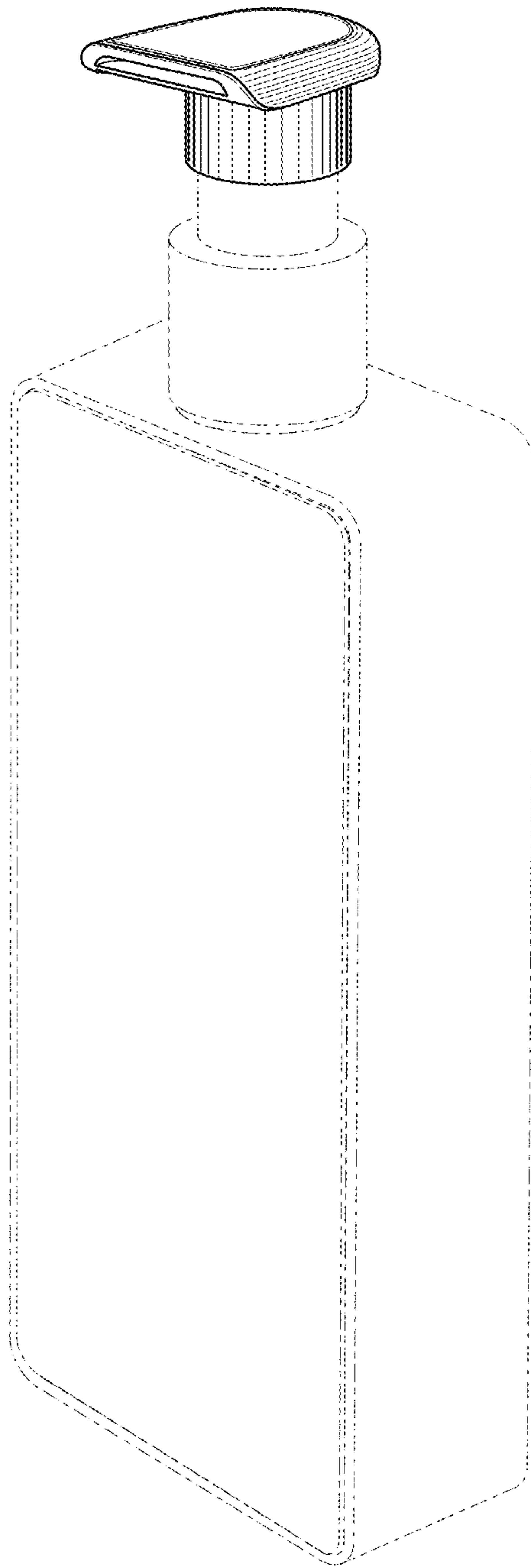


Fig. 1

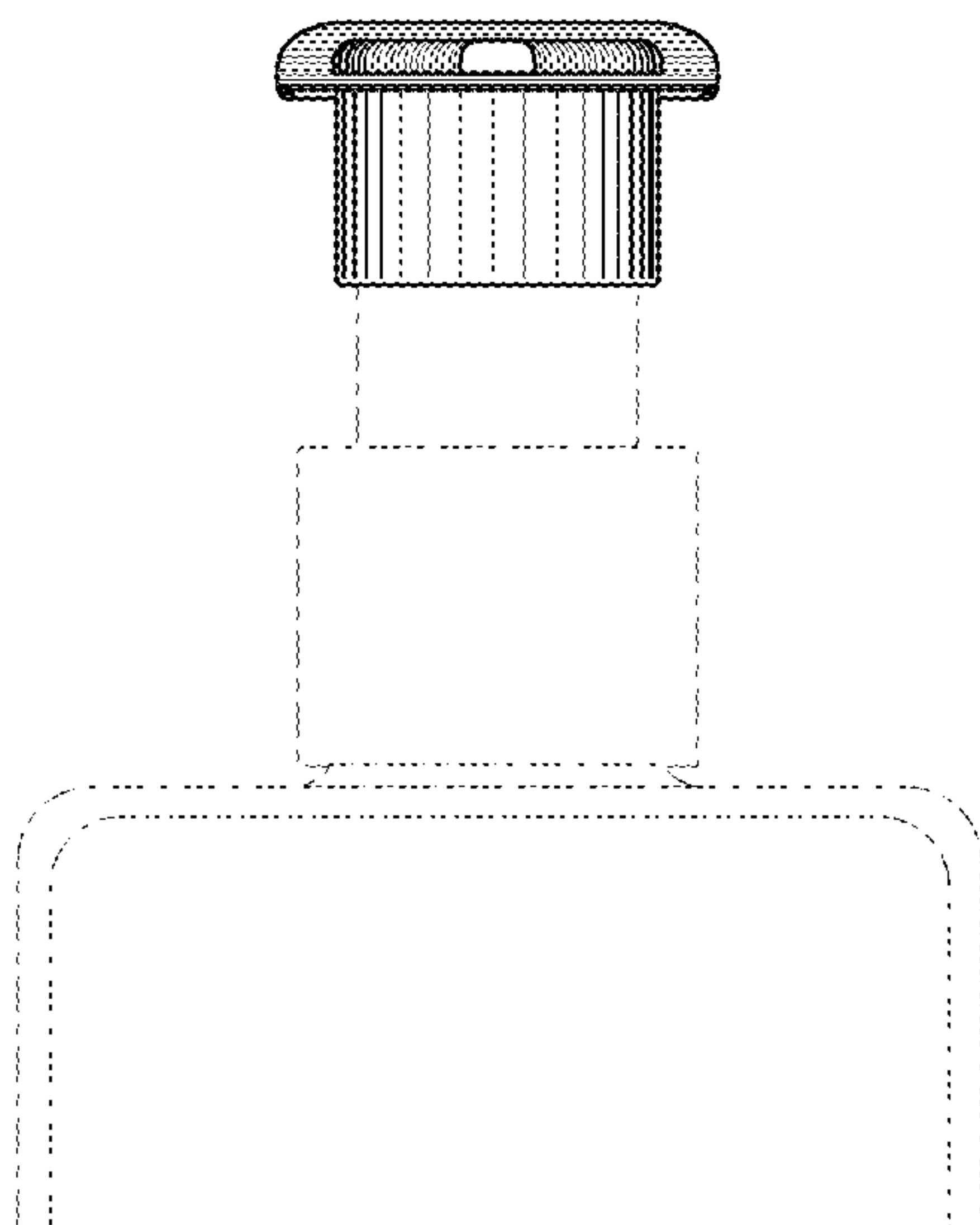


Fig. 2

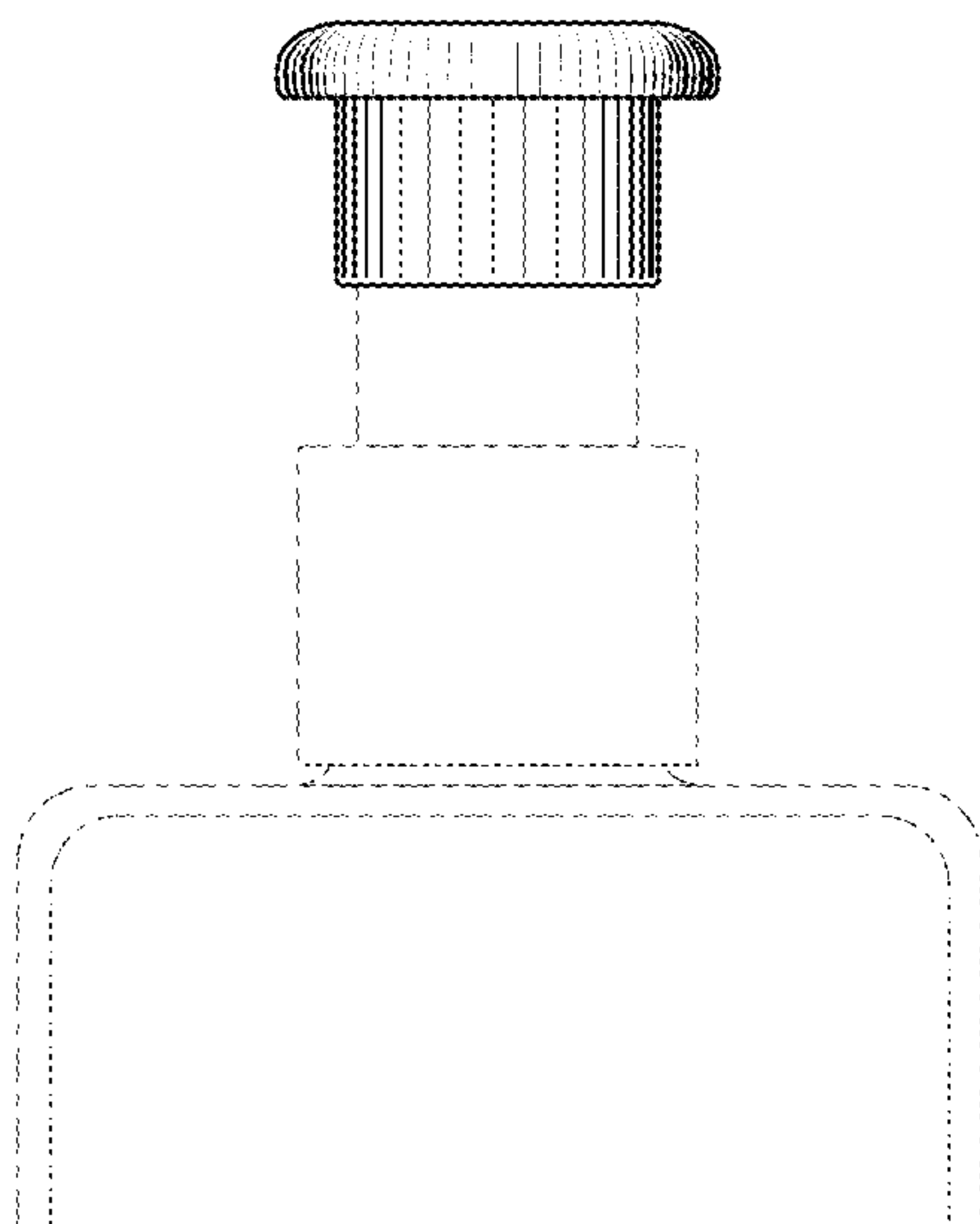


Fig. 3

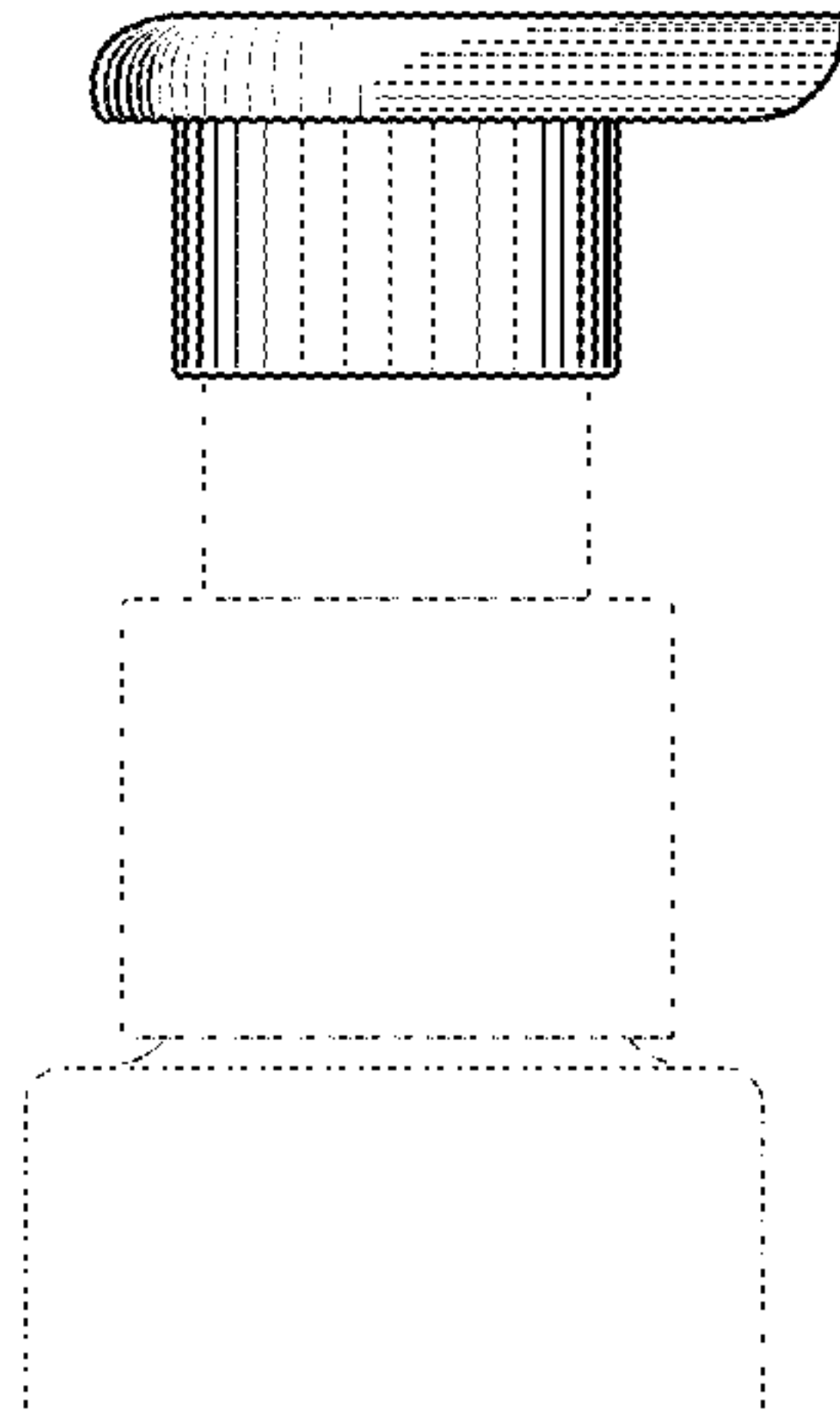


Fig. 4

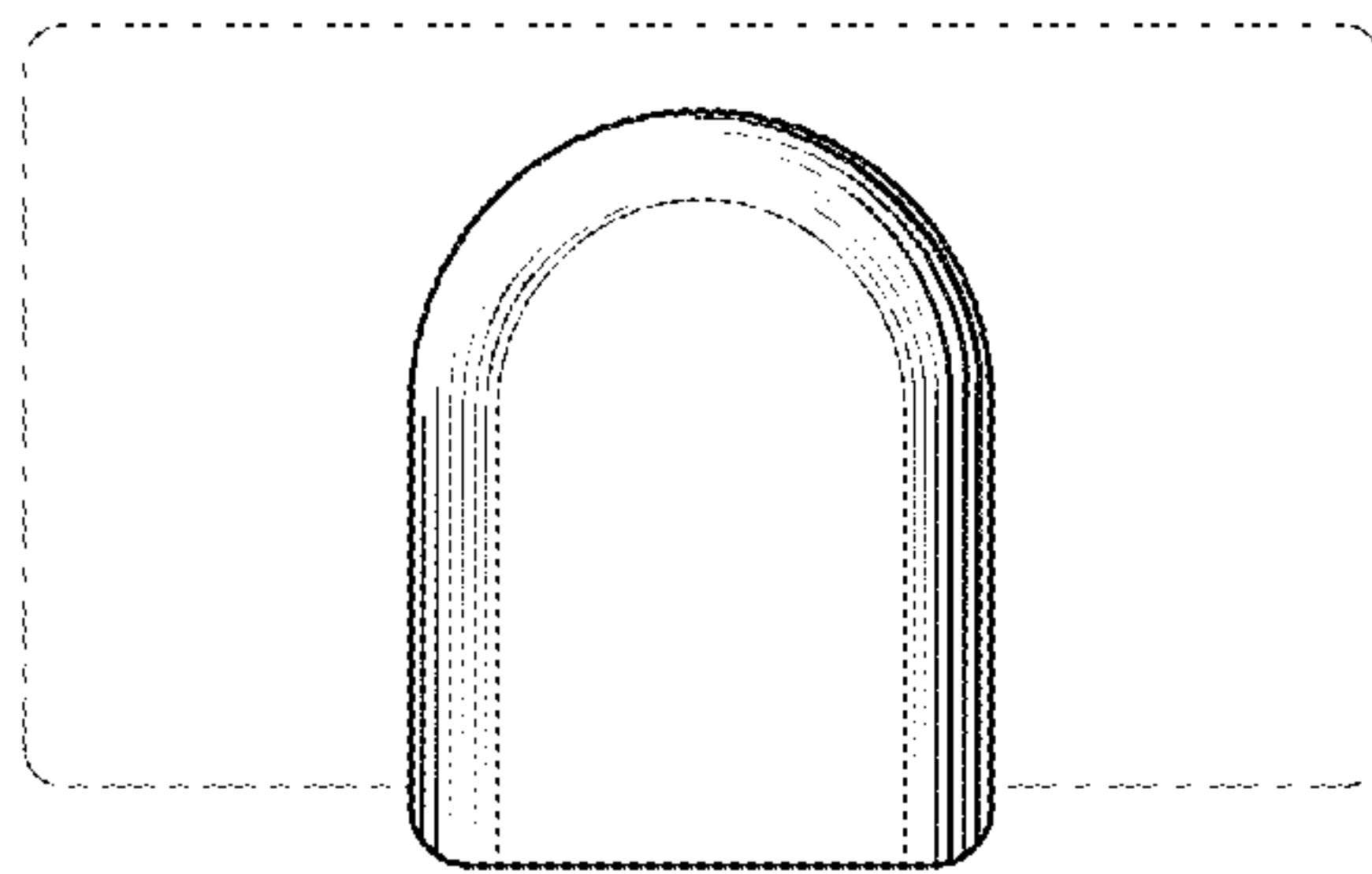


Fig. 5