



US00D718130S

(12) **United States Design Patent**
Wilcox et al.

(10) **Patent No.:** **US D718,130 S**

(45) **Date of Patent:** **** Nov. 25, 2014**

(54) **APPLICATOR WITH CAP**

(71) Applicant: **LEO Pharma A/S**, Ballerup (DK)

(72) Inventors: **Alun Wilcox**, Surrey (GB); **Peter Sprada**, London (GB); **Graeme Howard Davies**, London (GB); **Nicholas Henry Reddall**, London (GB); **Joshua Thomas Richards**, London (GB)

(73) Assignee: **LEO Pharma A/S**, Ballerup (DK)

(**) Term: **14 Years**

(21) Appl. No.: **29/434,947**

(22) Filed: **Oct. 18, 2012**

(51) **LOC (10) Cl.** **09-01**

(52) **U.S. Cl.**
USPC **D9/445**

(58) **Field of Classification Search**
CPC B65D 41/62
USPC D9/435, 436, 442, 443, 444, 445, 446,
D9/499, 528, 529, 539, 686, 687, 688;
D7/392.1; 206/221, 222; 215/216;
220/253, 713; 222/525
See application file for complete search history.

(56) **References Cited**

U.S. PATENT DOCUMENTS

D218,145 S * 7/1970 Dublin D9/685
3,648,905 A * 3/1972 Kauder 222/402.21
D246,904 S * 1/1978 MacIntosh D19/41

D333,778 S * 3/1993 Magidson et al. D9/685
D338,615 S * 8/1993 Magidson et al. D9/685
D349,642 S * 8/1994 Abfier D9/685
D430,609 S * 9/2000 Keda D19/57
D458,708 S * 6/2002 Oates et al. D28/10
D566,549 S * 4/2008 Russell et al. D9/445
D617,657 S * 6/2010 Schriener et al. D9/723
D620,366 S * 7/2010 Bruscha et al. D9/529
D626,836 S * 11/2010 Lien D9/443
2003/0146254 A1 * 8/2003 Blondeel 224/148.4

* cited by examiner

Primary Examiner — Robert M Spear

(74) *Attorney, Agent, or Firm* — Holland & Hart LLP

(57) **CLAIM**

The ornamental design for an applicator with cap, as shown and described.

DESCRIPTION

FIG. 1 is a left side view of the applicator with cap, showing our new design;

FIG. 2 is a rear view of the design illustrated in FIG. 1.

FIG. 3 is a right side view of the design illustrated in FIG. 1;

FIG. 4 is a front view of the design illustrated in FIG. 1;

FIG. 5 is a top and front perspective view of the design illustrated in FIG. 1;

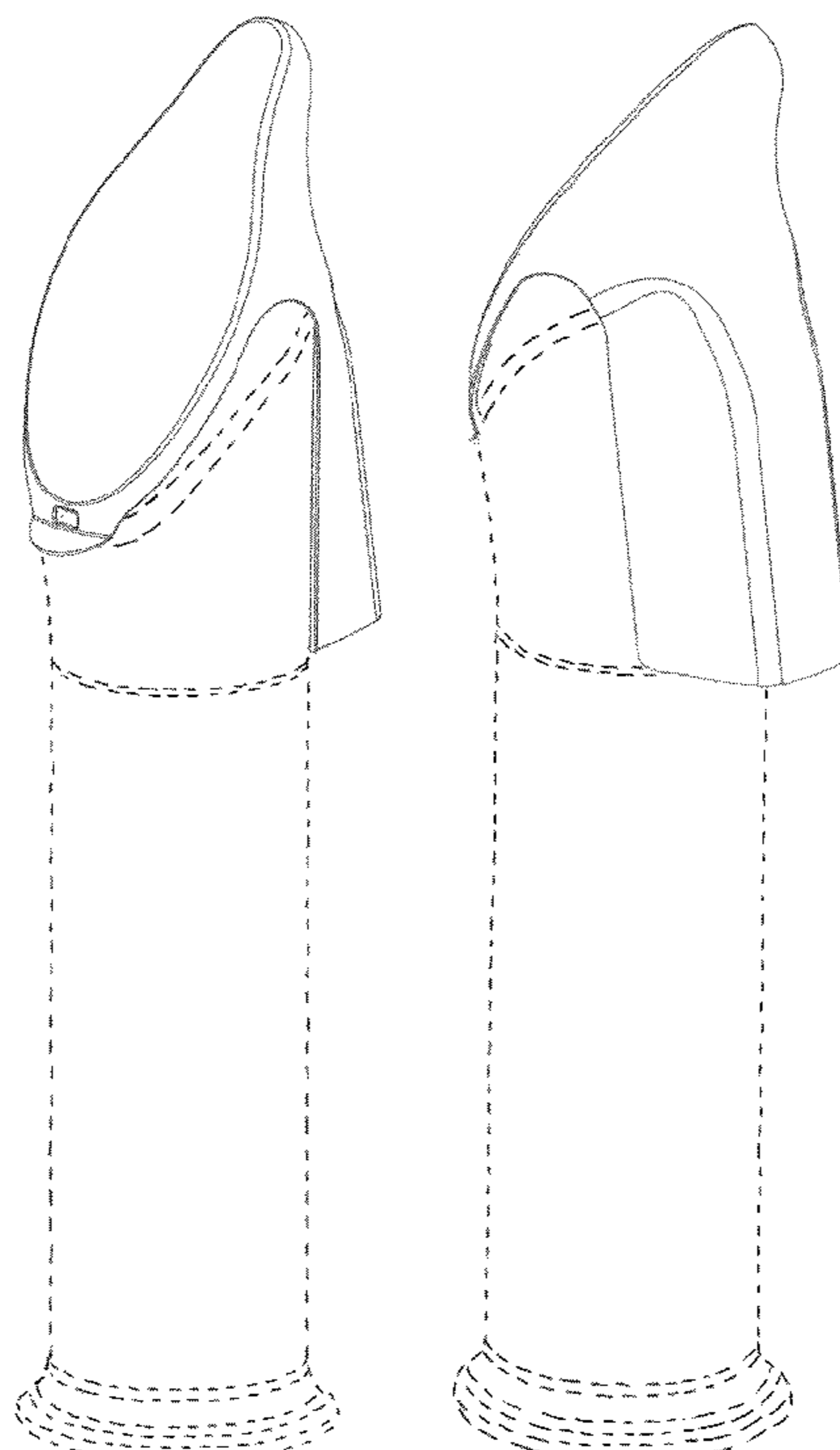
FIG. 6 is a top and rear perspective view of the design illustrated in FIG. 1;

FIG. 7 is a bottom view of the design illustrated in FIG. 1; and,

FIG. 8 is a top view of the design illustrated in FIG. 1.

The broken lines in FIGS. 1-9 are for illustrative purposes only, showing environment, and form no part of the claimed design.

1 Claim, 7 Drawing Sheets



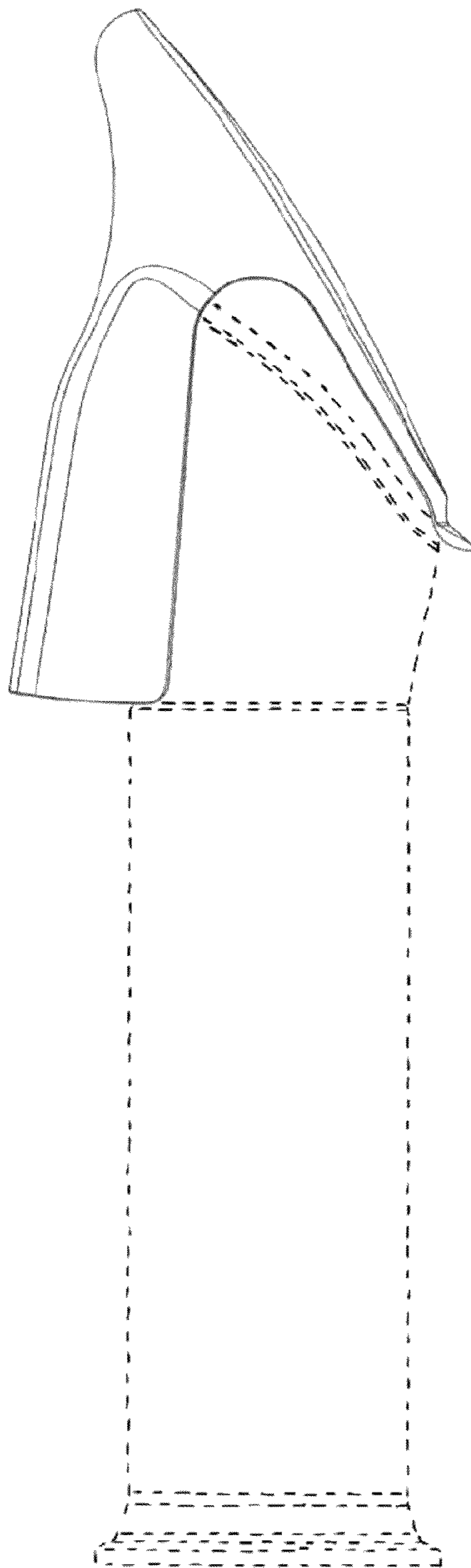


FIG. 1

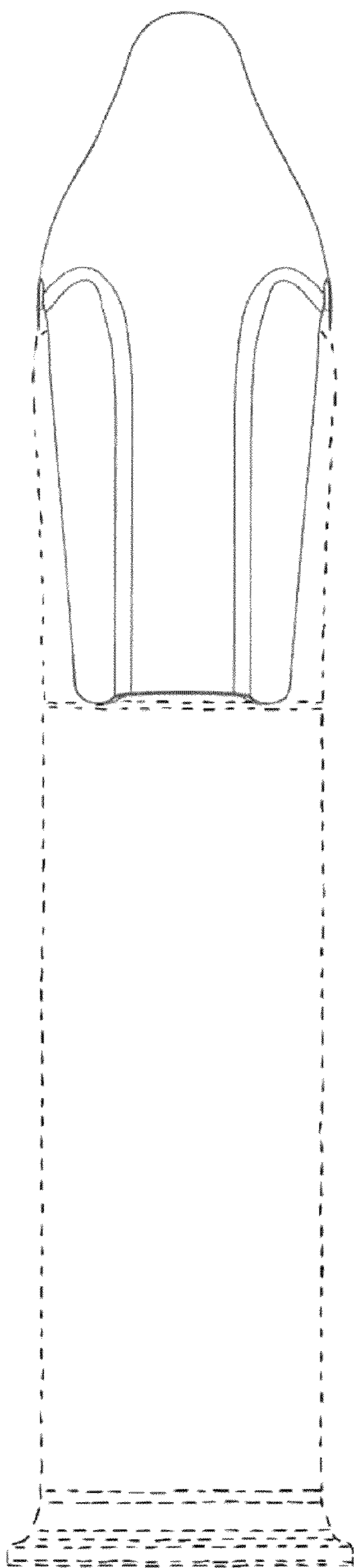


FIG. 2

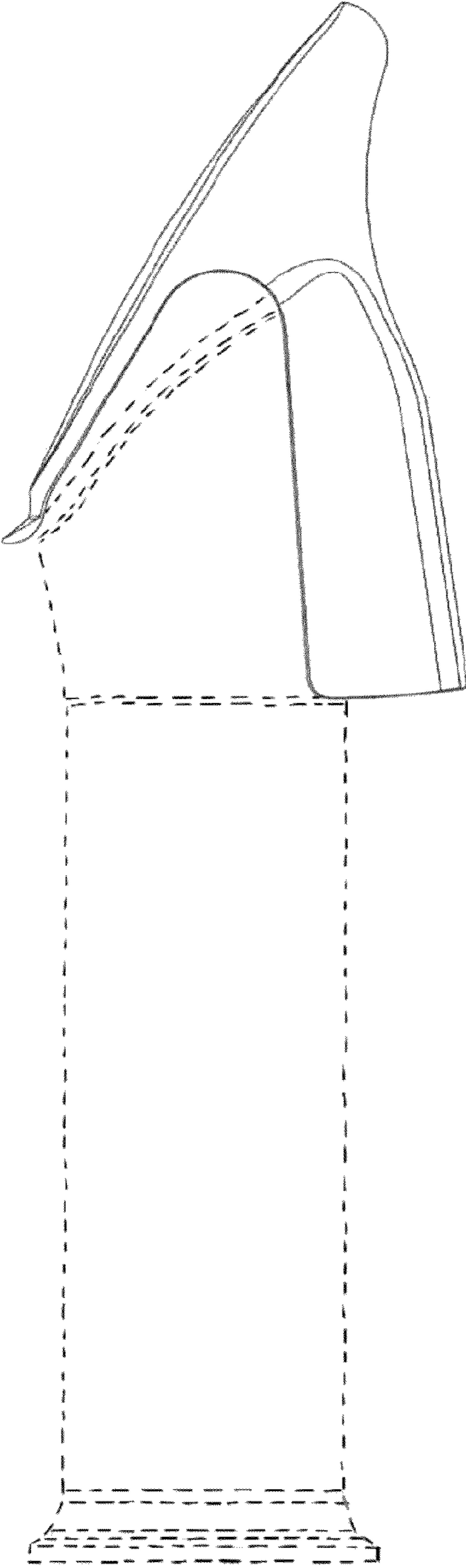


FIG. 3

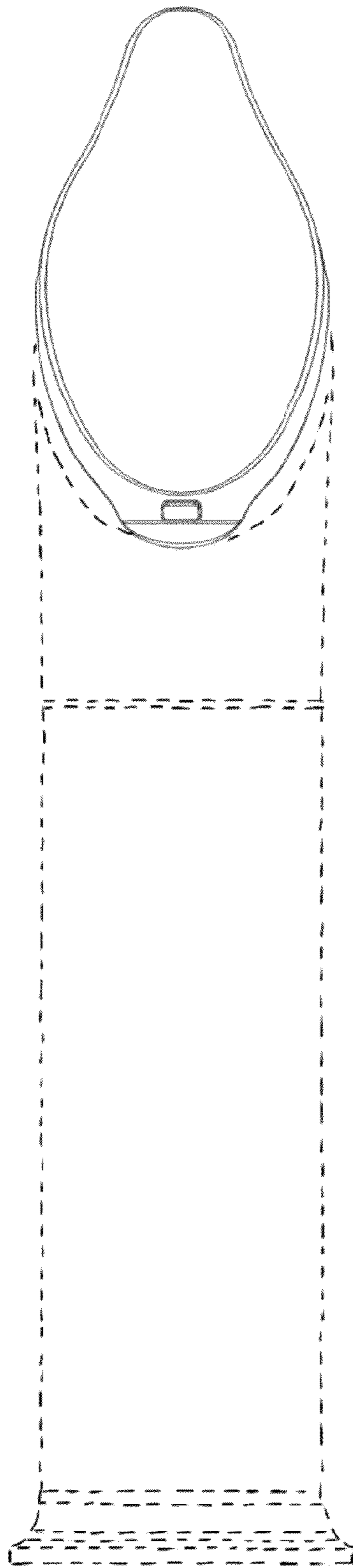


FIG. 4

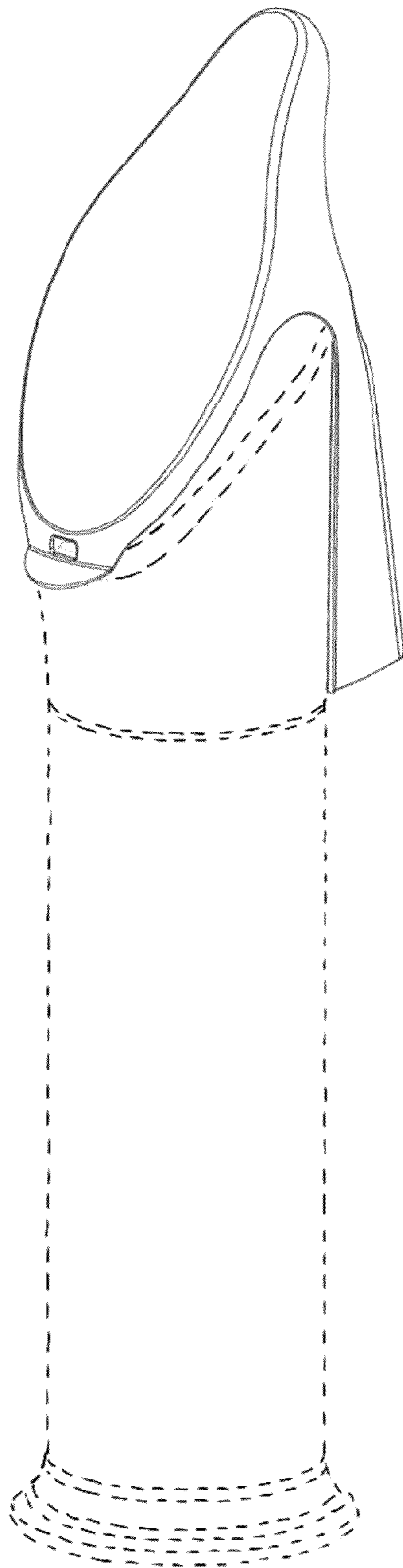


FIG. 5

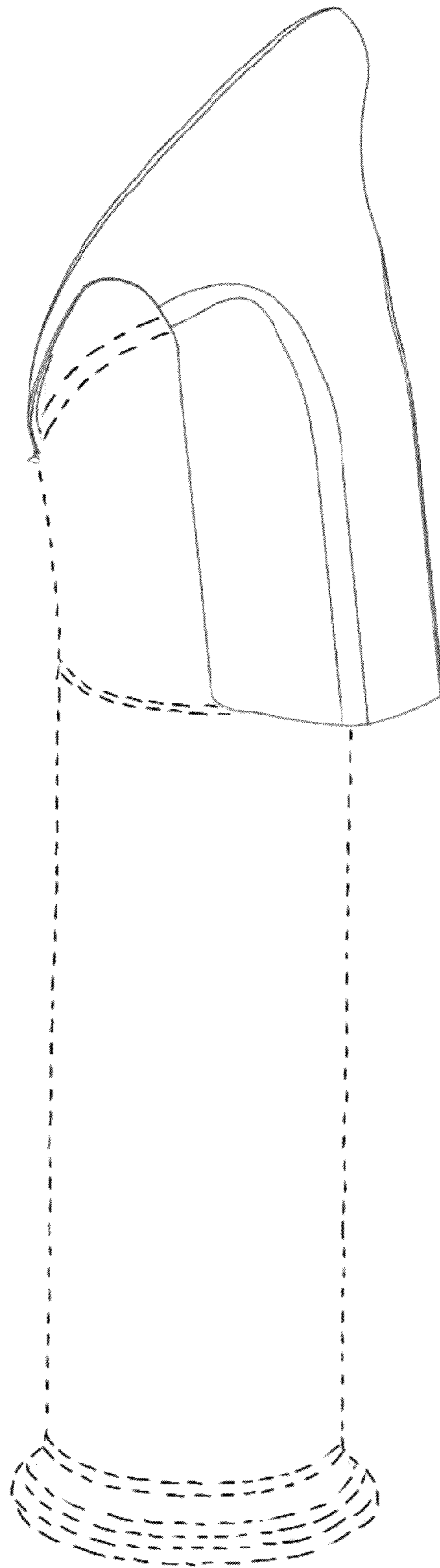


FIG. 6

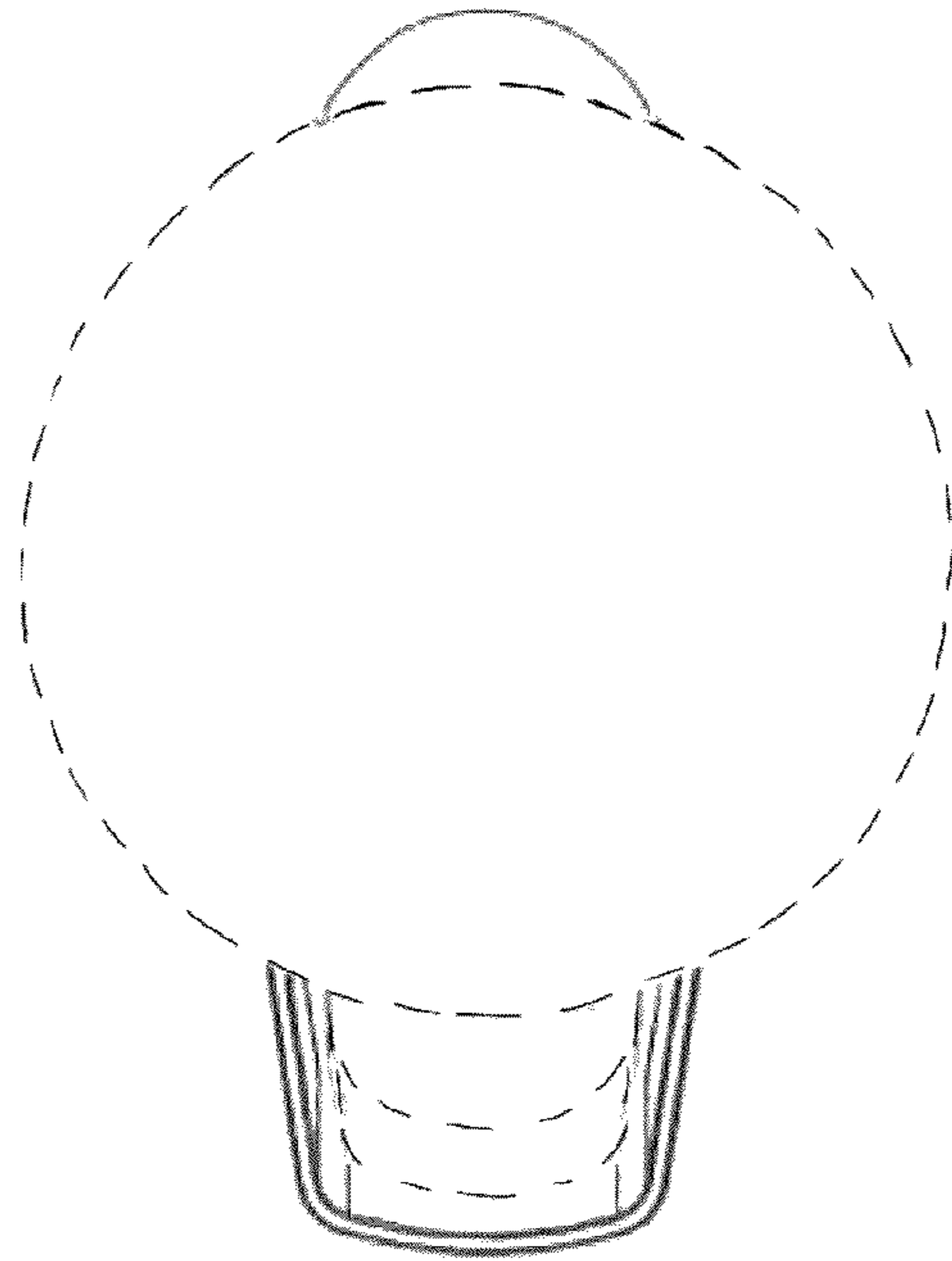


FIG. 7

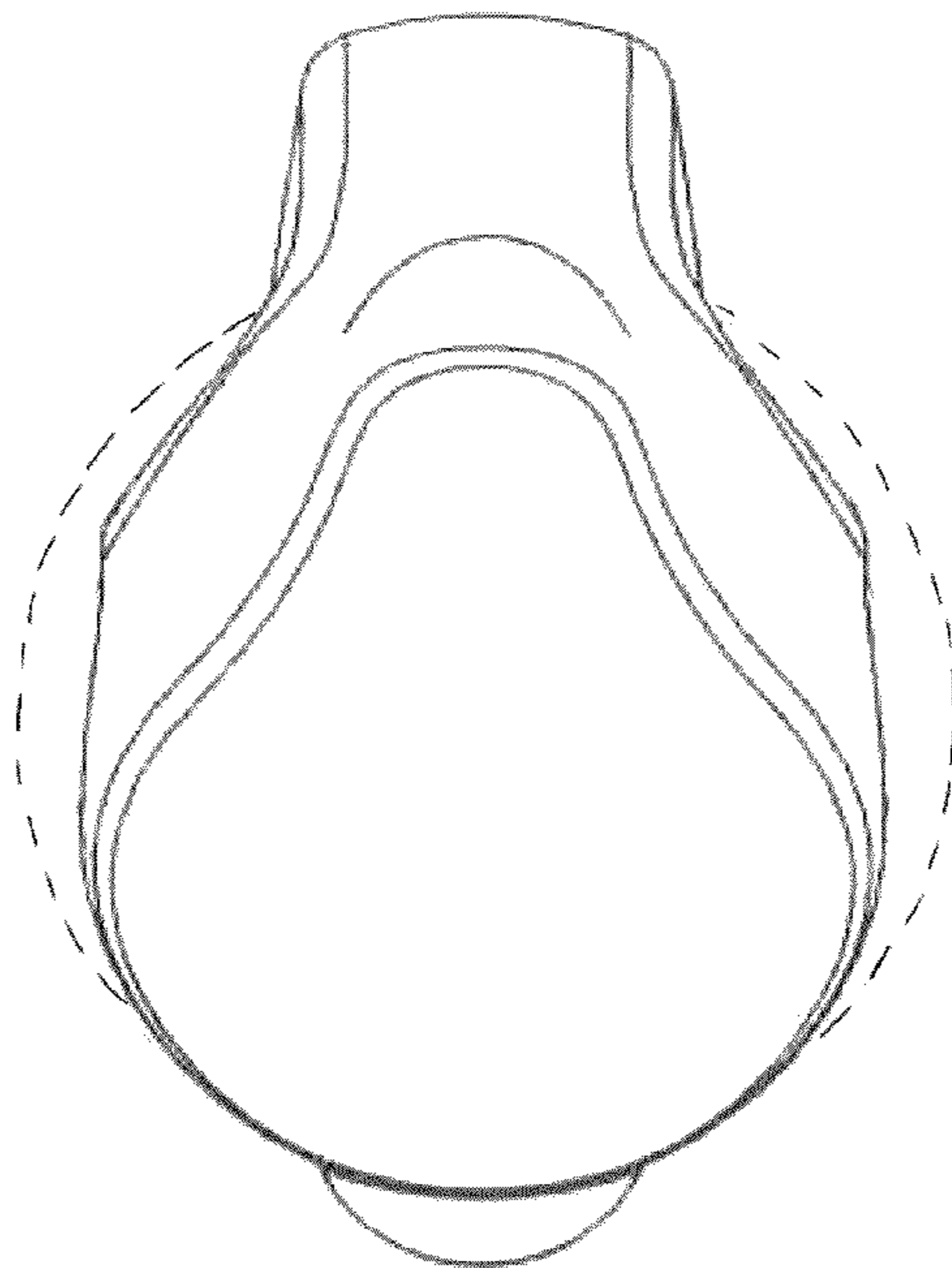


FIG. 8