



US00D718129S

(12) **United States Design Patent**  
**Yamada et al.**

(10) **Patent No.:** **US D718,129 S**

(45) **Date of Patent:** **\*\* Nov. 25, 2014**

(54) **NOZZLE FOR PACKAGING CONTAINER**

D143,947 S \* 2/1946 Baker ..... D15/5  
2,602,698 A \* 7/1952 Wyckoff ..... 239/312  
D171,428 S \* 2/1954 Storie ..... D23/229

(71) Applicant: **Santen Pharmaceutical Co., Ltd.**,  
Osaka-shi, Osaka (JP)

(Continued)

(72) Inventors: **Hiroshi Yamada**, Osaka (JP); **Tsuyoshi Kakiuchi**, Osaka (JP)

**FOREIGN PATENT DOCUMENTS**

EM 001261663-0002 3/2011

(73) Assignee: **Santen Pharmaceutical Co., Ltd.**,  
Osaka-shi, Osaka (JP)

**OTHER PUBLICATIONS**

Fram Inline Gasoline Filter for 1967 Ford Mustang, www.carid.com; 3 pages. Found online Sep. 16, 2014 at http://www.carid.com/1967-ford-mustang-fuel-delivery-parts/farm-fuel-filter-18701297.html.\*

(\*\*) Term: **14 Years**

(Continued)

(21) Appl. No.: **29/467,267**

(22) Filed: **Sep. 17, 2013**

*Primary Examiner* — Robert M Spear

(30) **Foreign Application Priority Data**

(74) *Attorney, Agent, or Firm* — Squire Patton Boggs (US) LLP

Mar. 22, 2013 (JP) ..... 2013-006318

(51) **LOC (10) Cl.** ..... **09-07**

(52) **U.S. Cl.**  
USPC ..... **D9/440**

(57) **CLAIM**

The ornamental design for a nozzle for packaging container, as shown and described.

(58) **Field of Classification Search**  
CPC ..... B65D 25/40; B65D 25/42; B65D 25/48  
USPC ..... D9/417, 434, 440, 447, 448, 449, 499;  
D8/2; D7/398; D23/213, 223, 224,  
D23/255, 259; 222/321.6, 378, 566;  
239/222.11, 290, 291, 318, 482, 584,  
239/DIG. 22

**DESCRIPTION**

See application file for complete search history.

FIG. 1 is a front view of a nozzle for packaging container showing our new design;  
FIG. 2 is a left side view thereof;  
FIG. 3 is a top plan view thereof;  
FIG. 4 is a bottom view thereof;  
FIG. 5 is a sectional view thereof taken on line 5-5 of FIG. 1;  
FIG. 6 is a perspective view thereof; and,  
FIG. 7 is a reference sectional view thereof showing a condition in use.

(56) **References Cited**

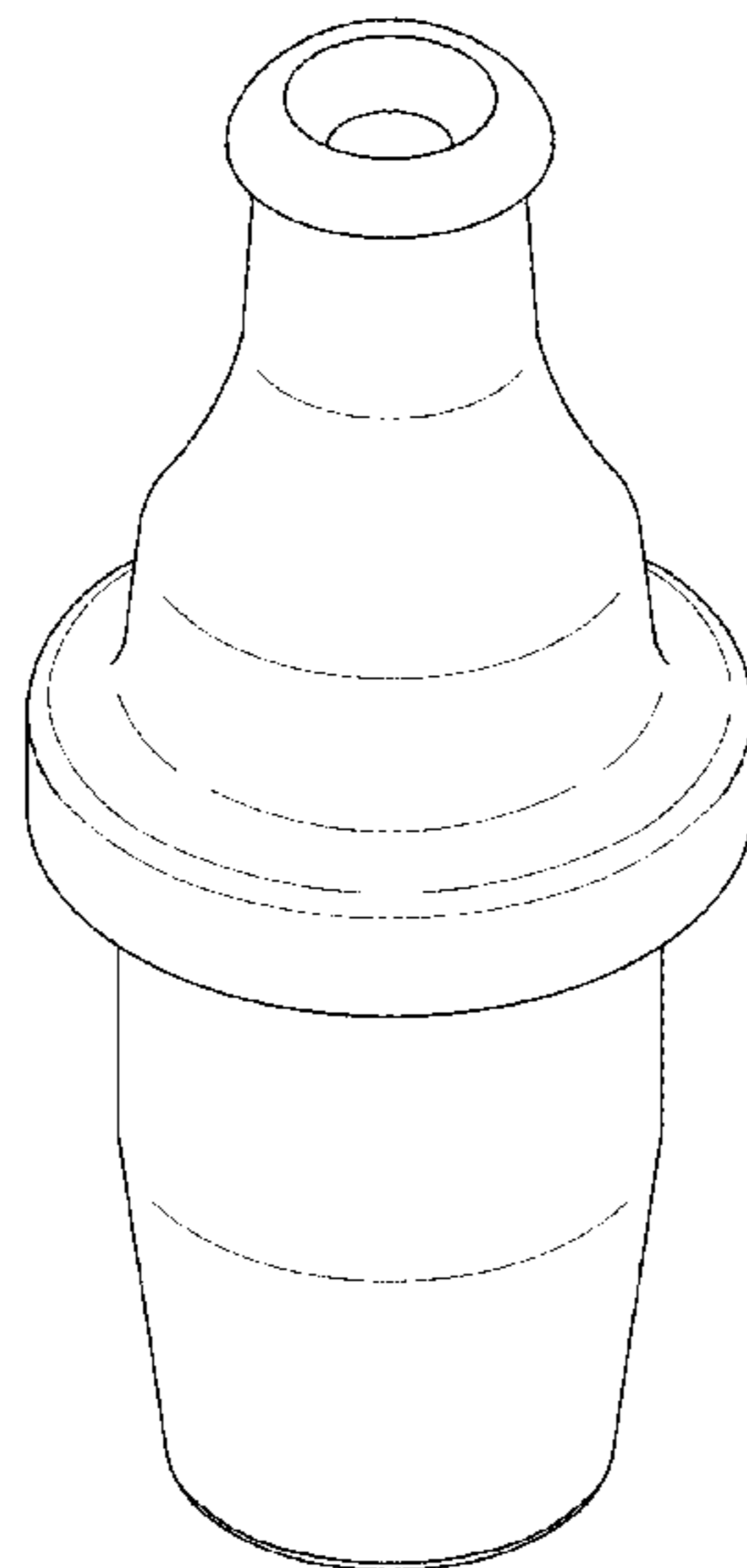
**U.S. PATENT DOCUMENTS**

D26,539 S \* 1/1897 Schram ..... D9/447  
D41,840 S \* 10/1911 Cornish ..... D7/398  
D54,199 S \* 11/1919 Cornish ..... D7/398  
D55,940 S \* 8/1920 Cornish ..... D7/398  
D106,697 S \* 10/1937 Slater ..... D23/229

A rear view and a right side view are omitted because the rear view is identical to the front view and the right side view is identical to the left side view.

The broken lines in the drawings represent unclaimed environmental subject matter and form no part of the claim.

**1 Claim, 7 Drawing Sheets**



(56)

**References Cited**

U.S. PATENT DOCUMENTS

D191,088 S \* 8/1961 Anderson ..... D24/112  
3,107,035 A \* 10/1963 Cholet ..... 222/213  
D220,832 S \* 6/1971 Lapidus ..... D9/447  
D356,853 S \* 3/1995 Fowler ..... D23/213  
D364,566 S \* 11/1995 Douer ..... D9/436  
5,505,337 A \* 4/1996 Littman et al. .... 222/92  
D371,427 S \* 7/1996 Harris et al. .... D23/227  
D390,462 S \* 2/1998 Mao ..... D9/435

D401,071 S \* 11/1998 Laster ..... D4/115  
D414,788 S \* 10/1999 Shintani et al. .... D15/144  
D424,165 S \* 5/2000 Guo ..... D23/229  
D486,736 S \* 2/2004 Kokubo ..... D9/449  
D535,022 S \* 1/2007 Davies ..... D24/110  
2007/0039980 A1 \* 2/2007 Kjeldsen et al. .... 222/514

OTHER PUBLICATIONS

U.S. Appl. No. 29/467,264, filed Sep. 17, 2013, Hiroshi Yamada et al.  
U.S. Appl. No. 29/467,266, filed Sep. 17, 2013, Hiroshi Yamada et al.

\* cited by examiner

Fig. 1

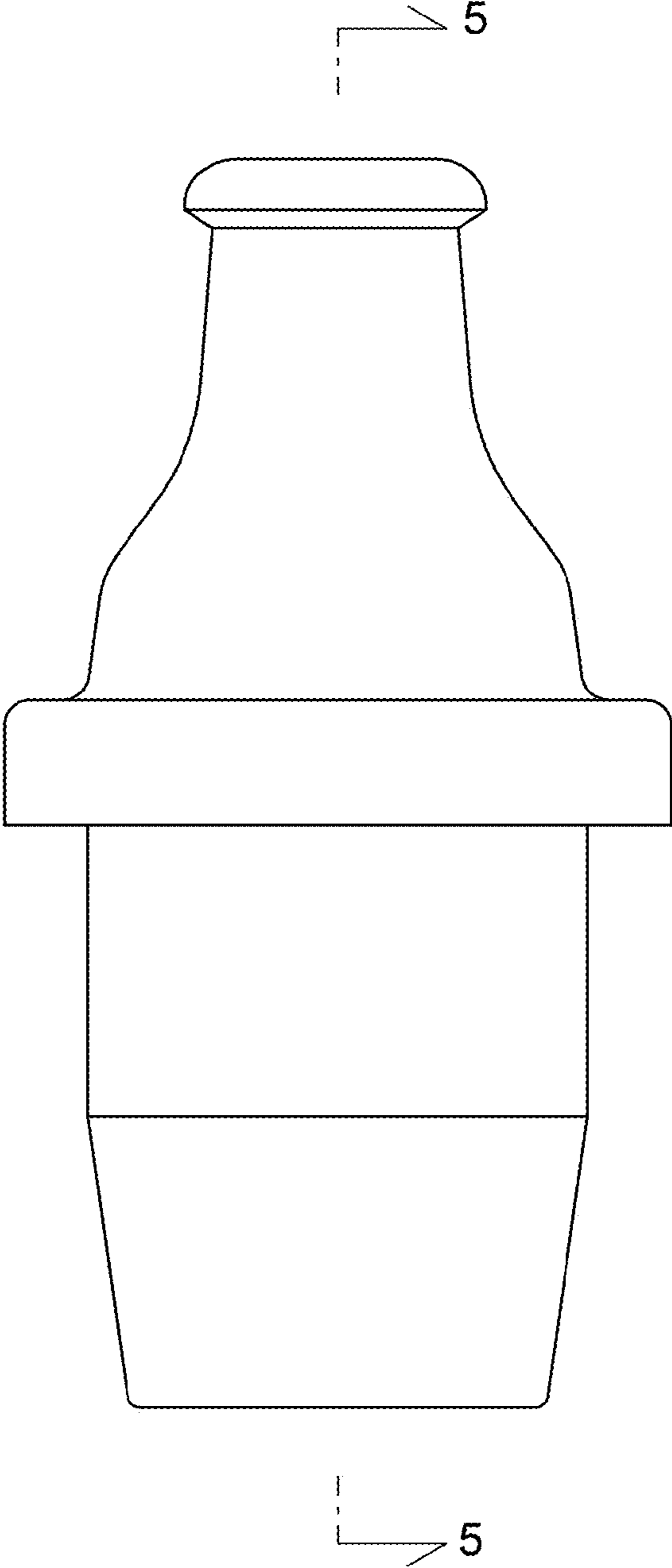


Fig. 2

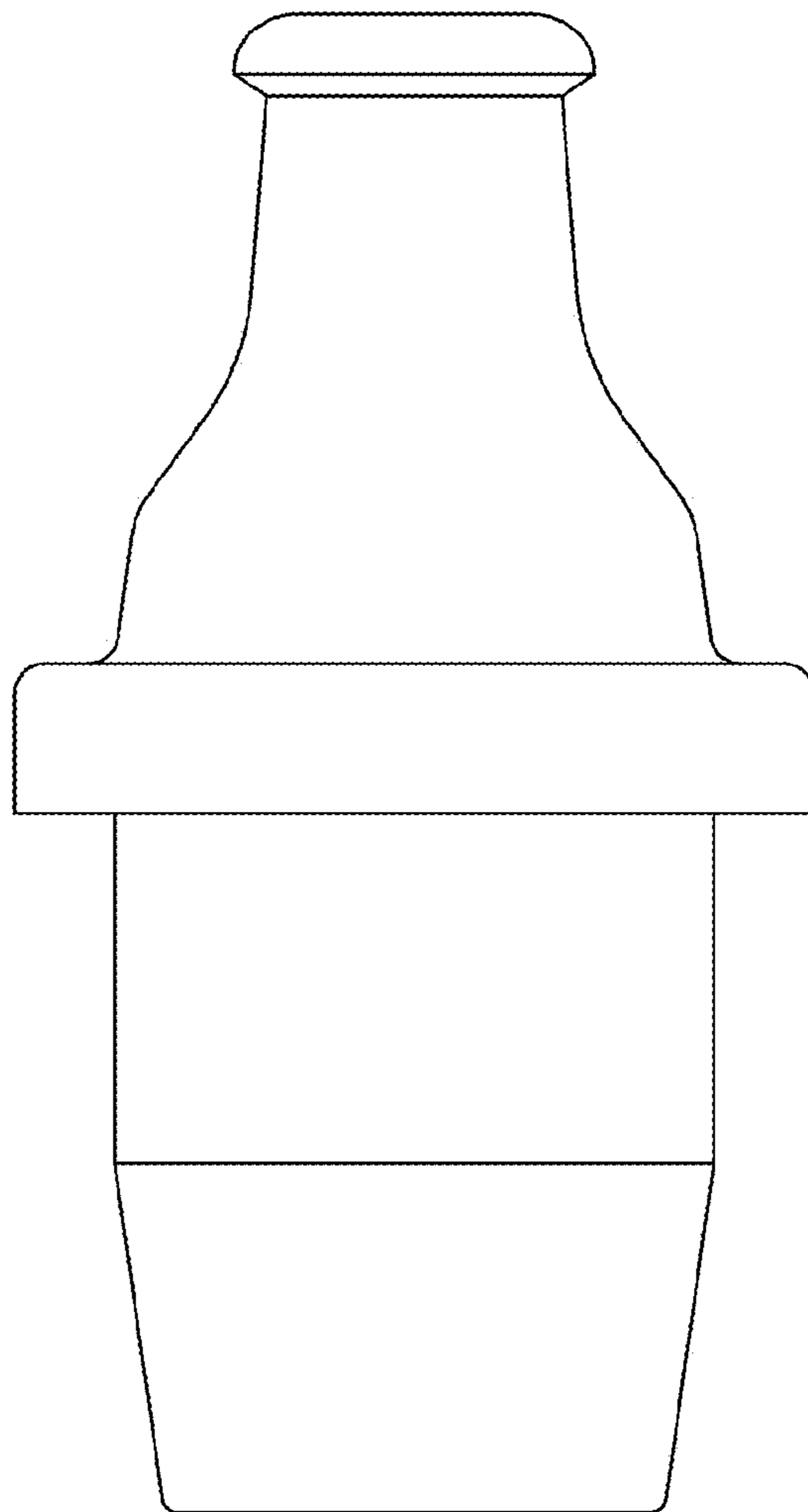


Fig. 3

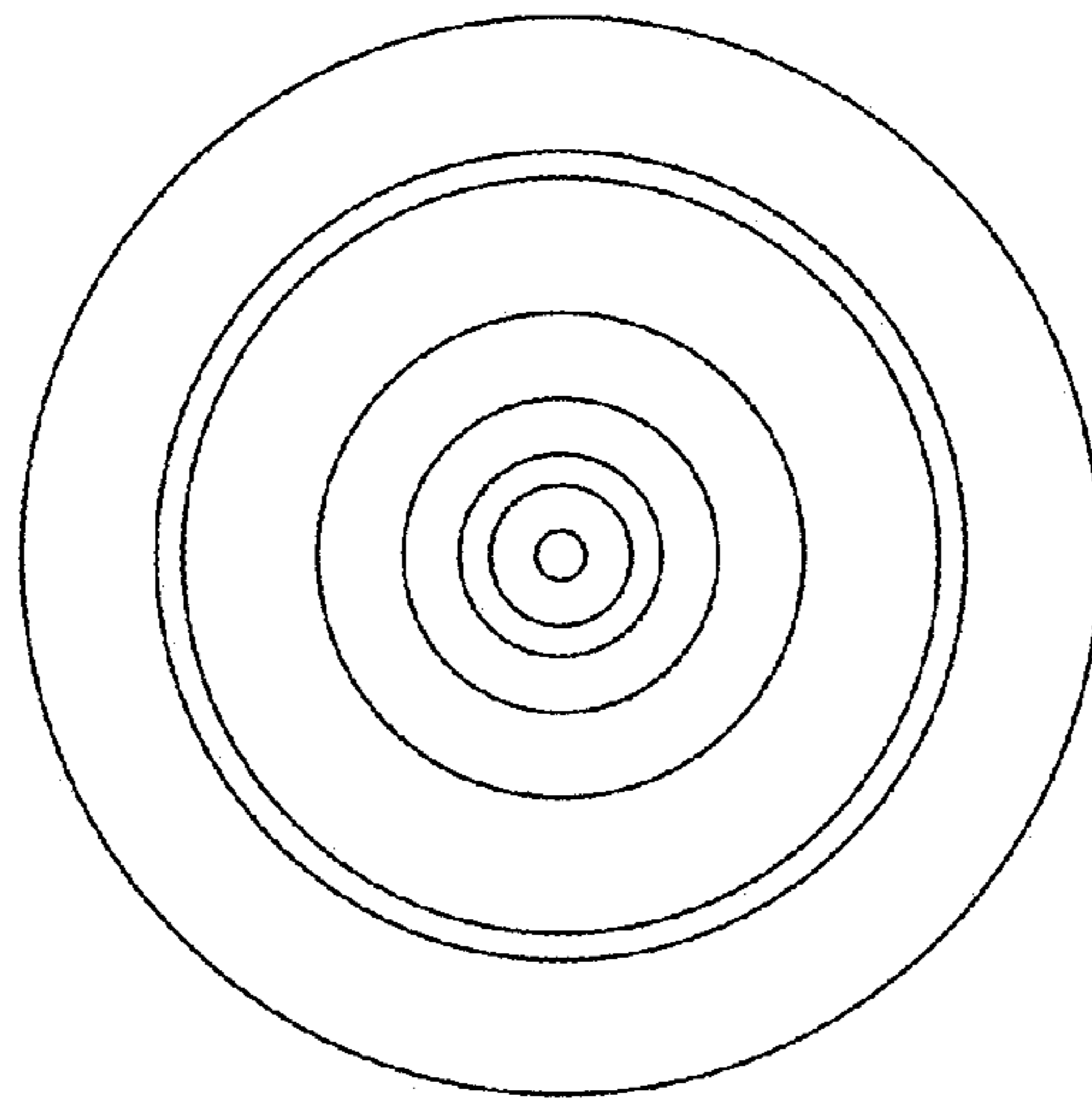


Fig. 4

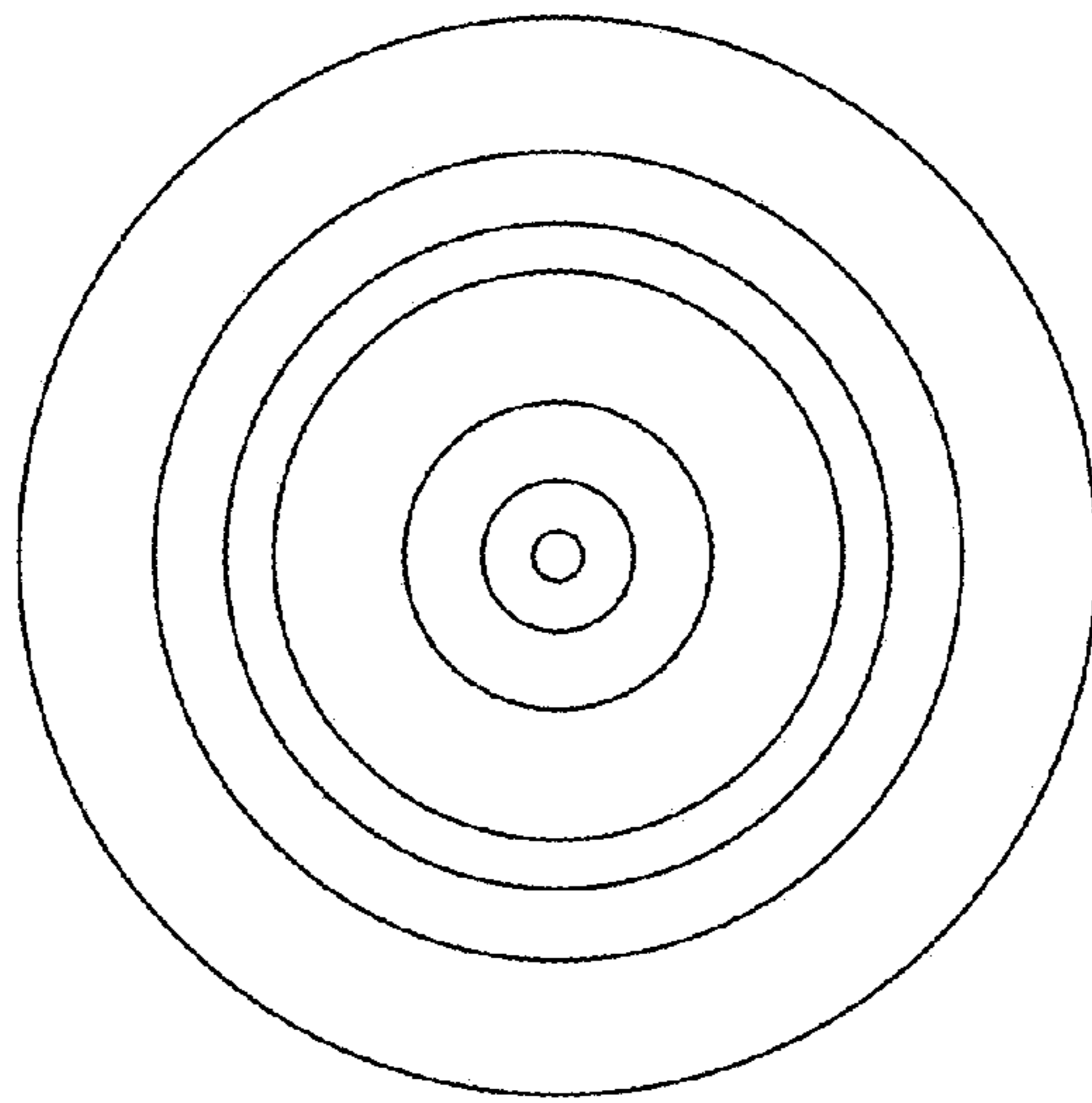


Fig. 5

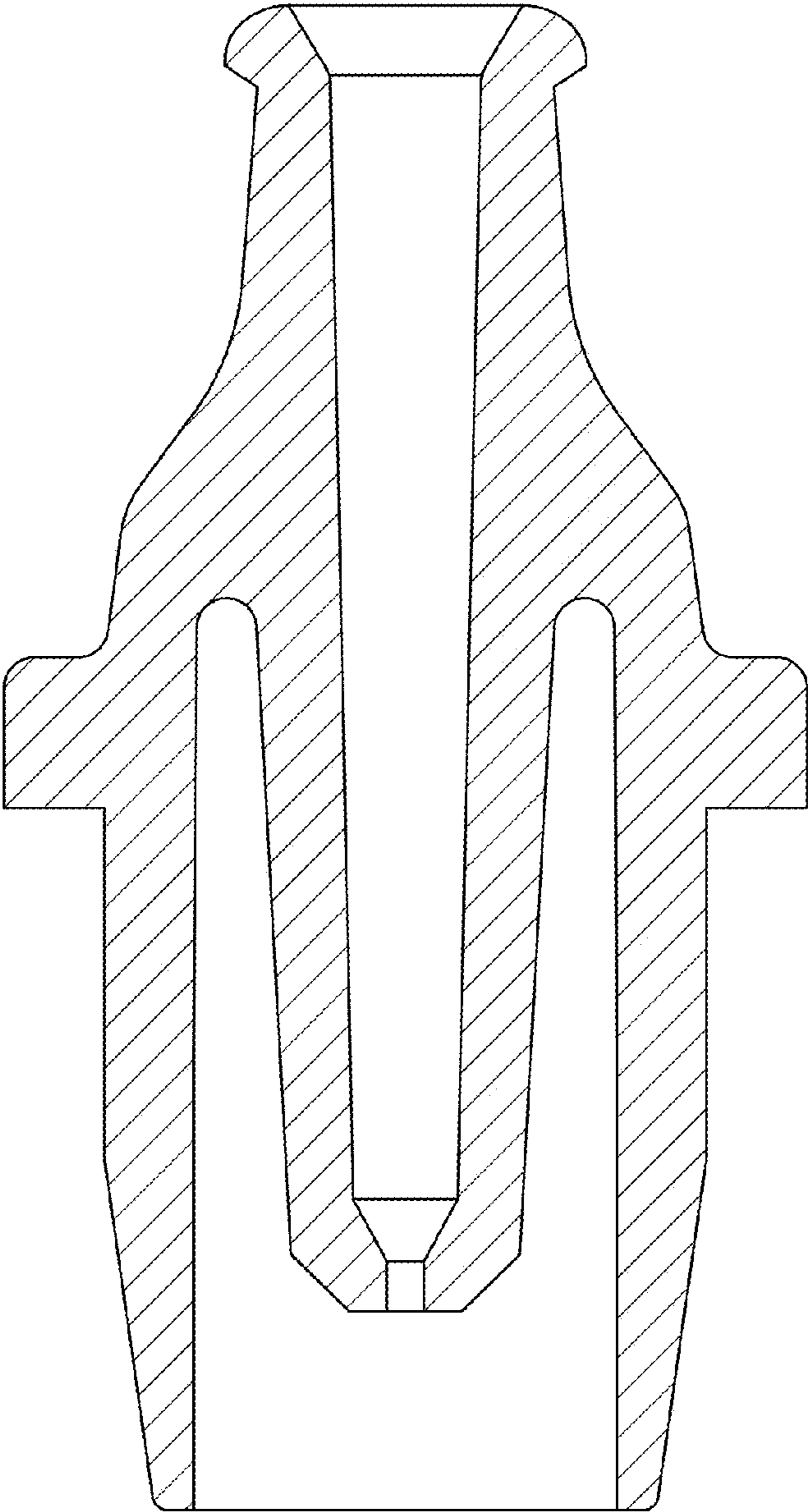


Fig. 6

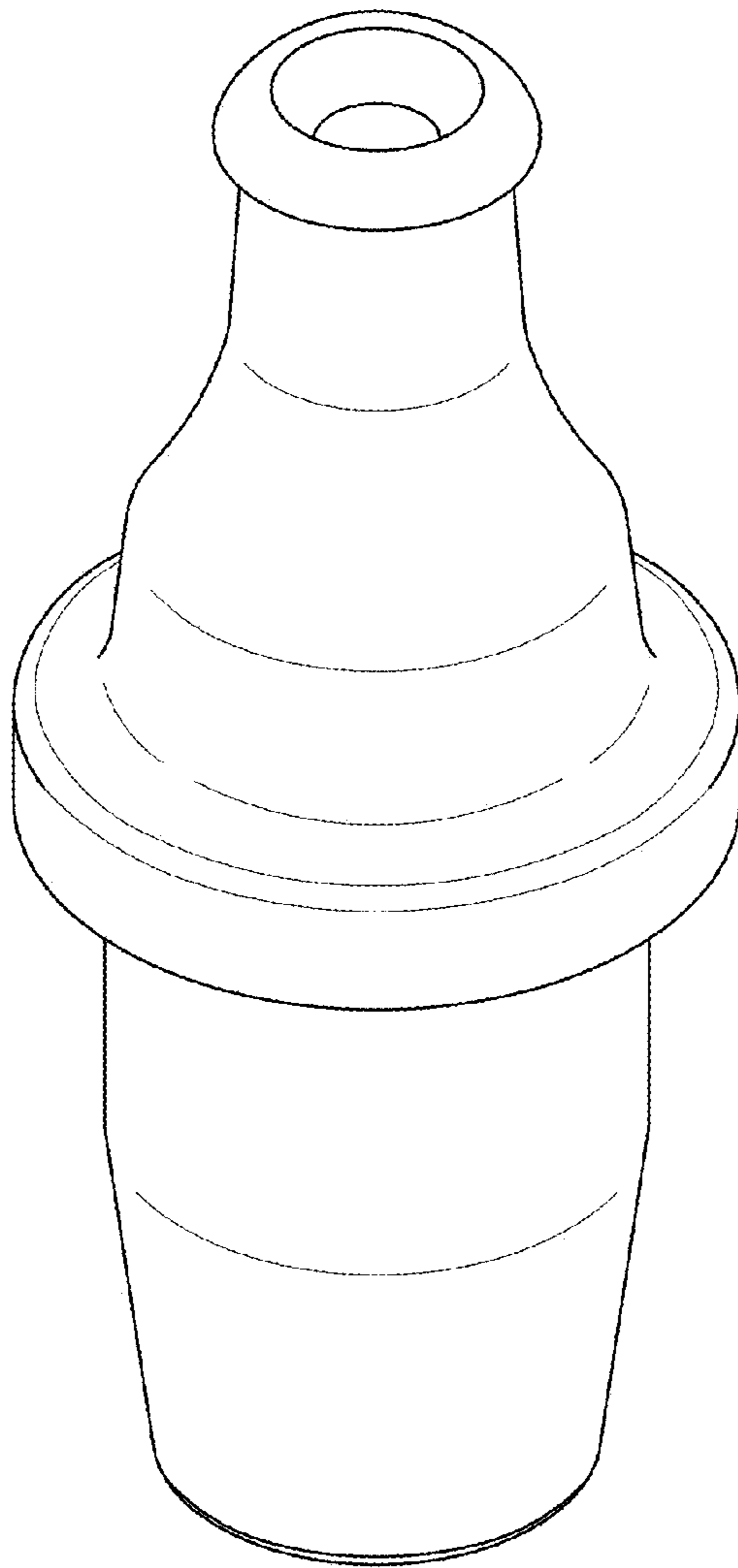




Fig. 7

