



US00D718128S

(12) **United States Design Patent**
Greathouse

(10) **Patent No.:** **US D718,128 S**

(45) **Date of Patent:** **** Nov. 25, 2014**

(54) **OIL DISPENSING DEVICE**

(71) Applicant: **John D. Greathouse**, Lewisburg, TN
(US)

(72) Inventor: **John D. Greathouse**, Lewisburg, TN
(US)

(**) Term: **14 Years**

(21) Appl. No.: **29/442,305**

(22) Filed: **Jan. 29, 2013**

(51) **LOC (10) Cl.** **09-07**

(52) **U.S. Cl.**
USPC **D9/440**

(58) **Field of Classification Search**
USPC D7/700; D9/434, 435, 440, 447, 499;
220/252, 288; 222/565-568, 570-575
See application file for complete search history.

(56) **References Cited**

U.S. PATENT DOCUMENTS

2,701,078	A	2/1955	Bowman	
D286,380	S *	10/1986	Harman	D9/447
D318,233	S *	7/1991	Ackerman	D9/447
D326,816	S *	6/1992	Abrams	D9/435

5,131,571	A	7/1992	Nolley	
D383,065	S *	9/1997	Eastling	D9/447
6,523,711	B1	2/2003	Hughes	
D658,984	S *	5/2012	Pauser et al.	D9/435
2008/0110929	A1	5/2008	Traasdahl	

* cited by examiner

Primary Examiner — Susan Bennett Hattan

Assistant Examiner — Leanne Was

(74) *Attorney, Agent, or Firm* — Paul R. Martin

(57) **CLAIM**

The ornamental design for an oil dispensing device, as shown and described.

DESCRIPTION

FIG. 1 is a perspective view of the oil dispensing device of my new design with the spout removed.

FIG. 2 is a front elevational view thereof. The elevational view from the rear is a mirror image thereof.

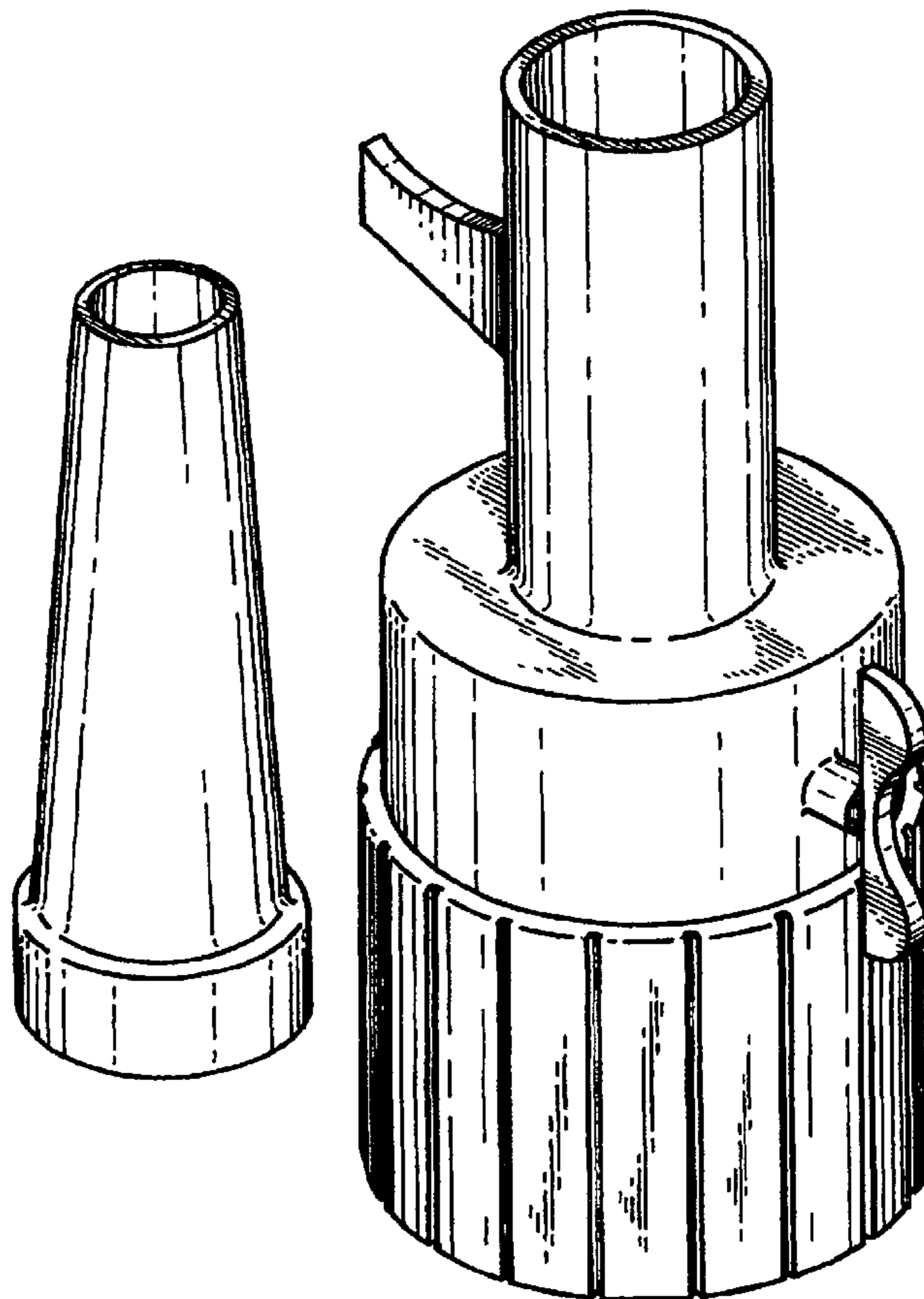
FIG. 3 is an elevational view of one side of the device of my new design.

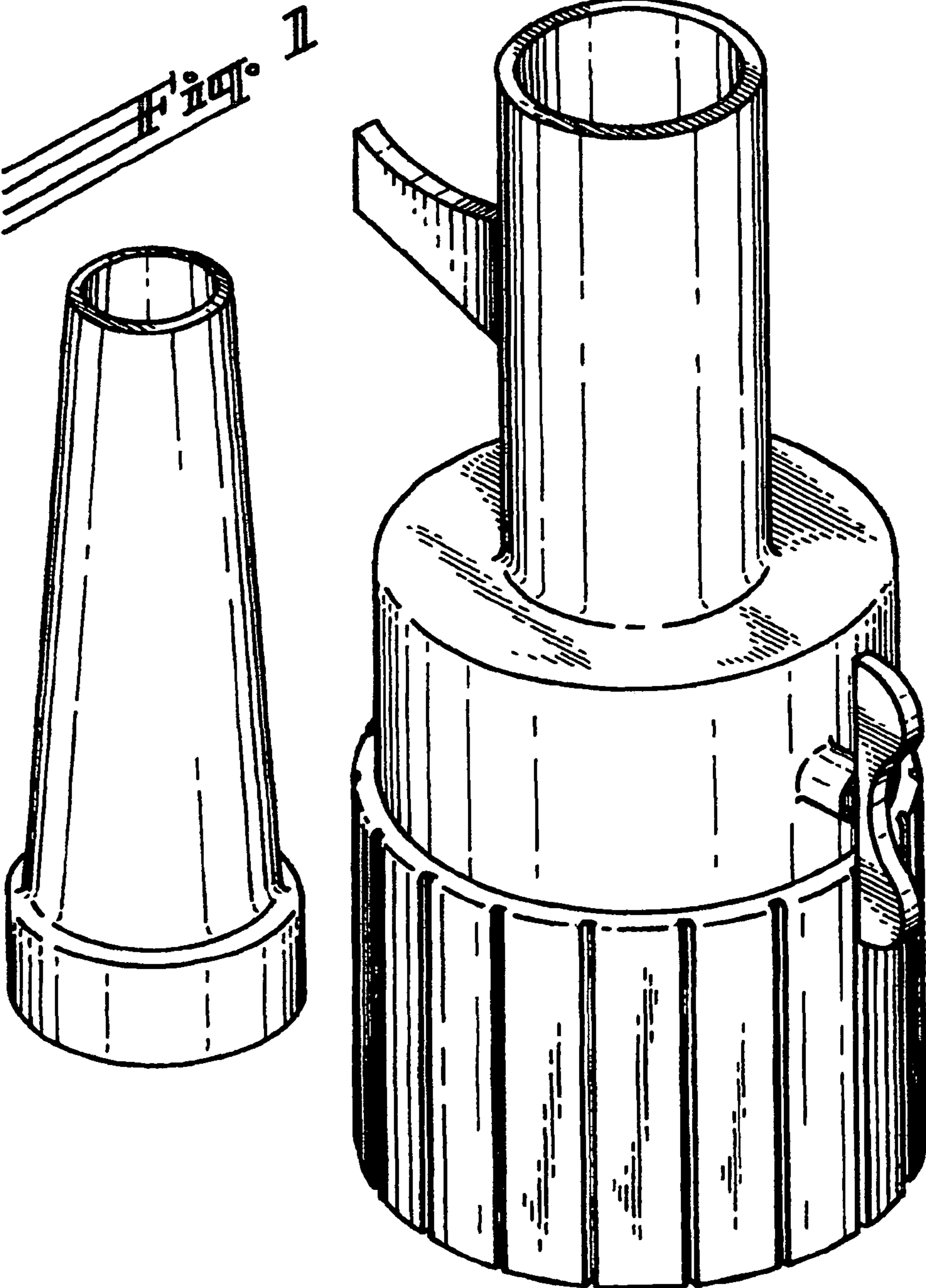
FIG. 4 is an elevational view of the side opposite to that shown in FIG. 3.

FIG. 5 is a top plan view thereof; and,

FIG. 6 is a bottom plan view thereof.

1 Claim, 5 Drawing Sheets





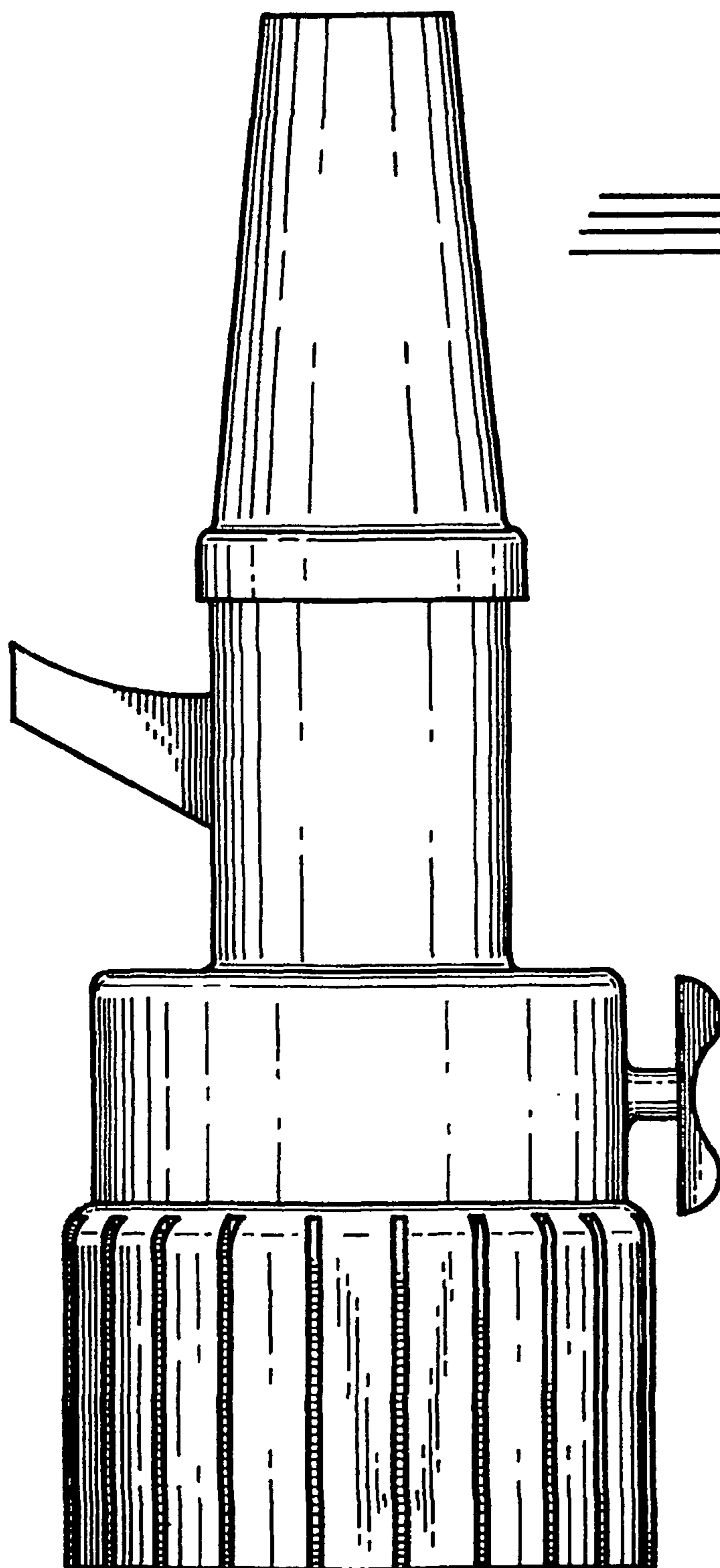


FIG. 2

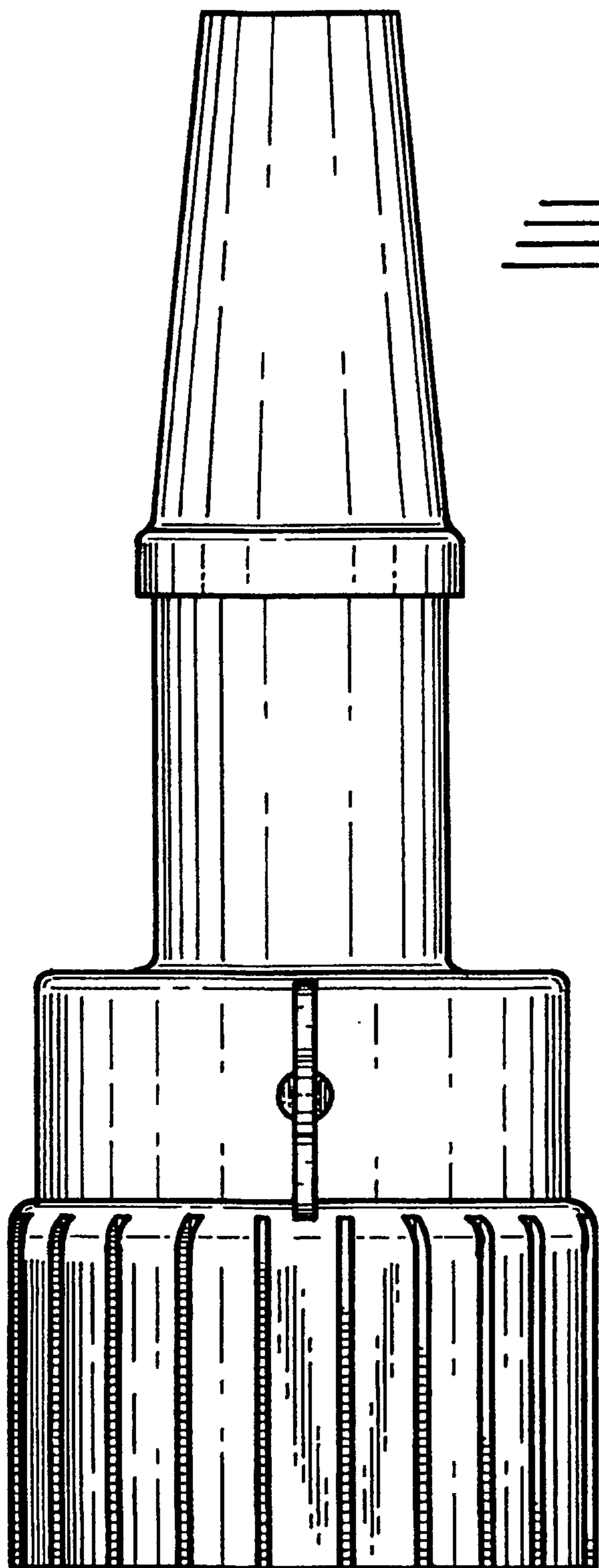


Fig. 3

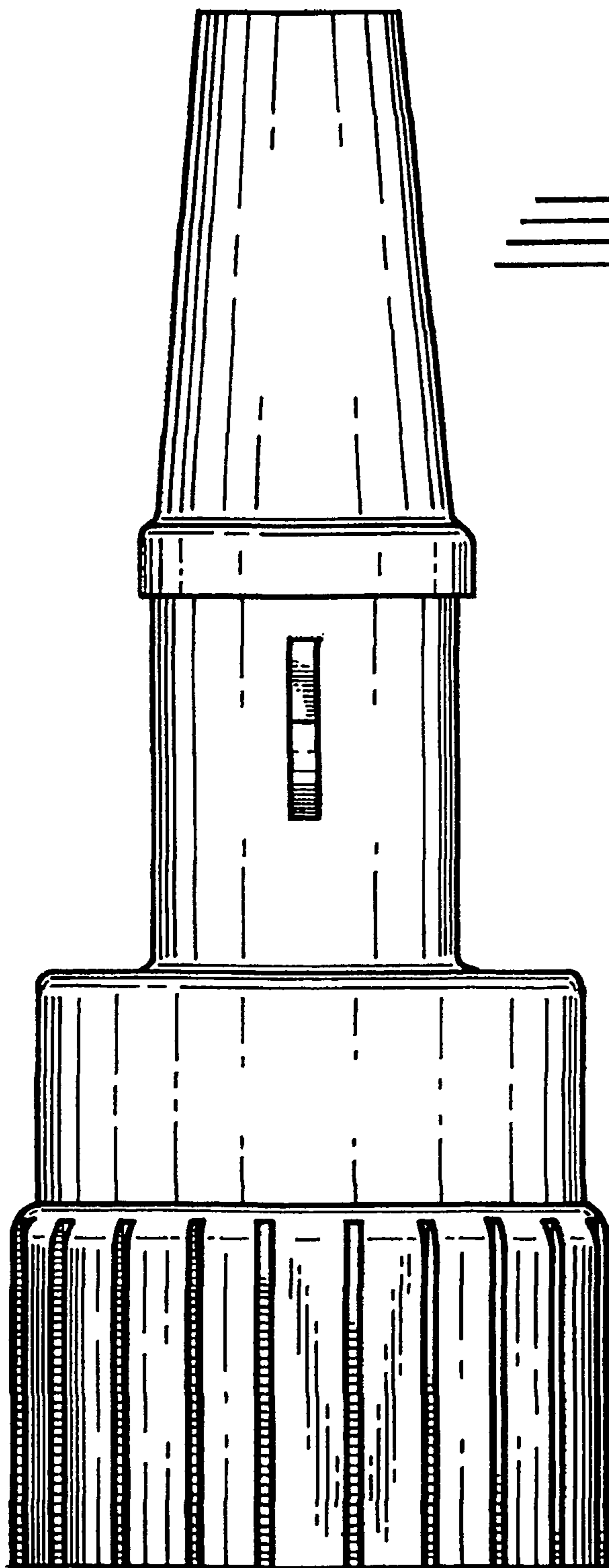


Fig. 1

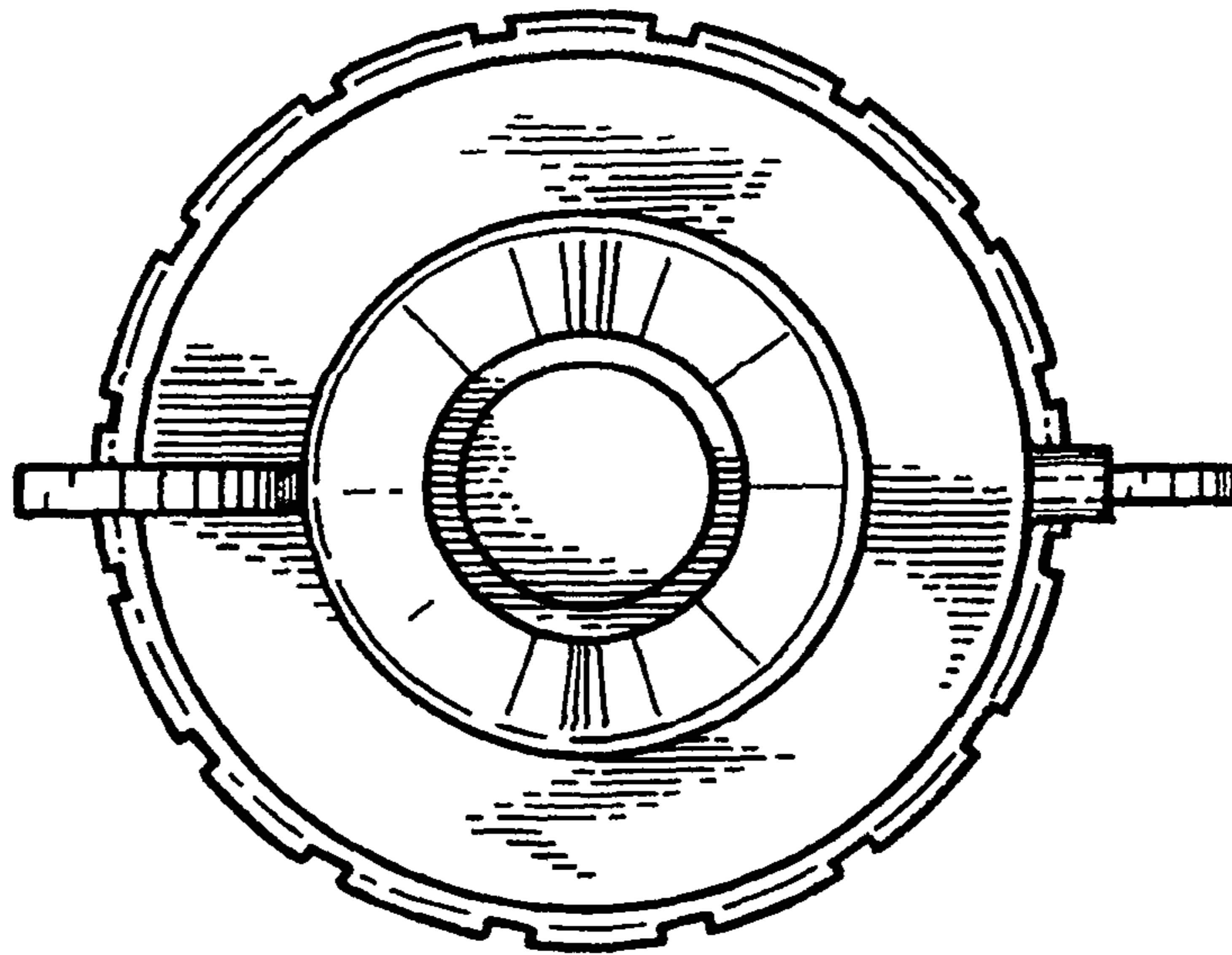


Fig. 5

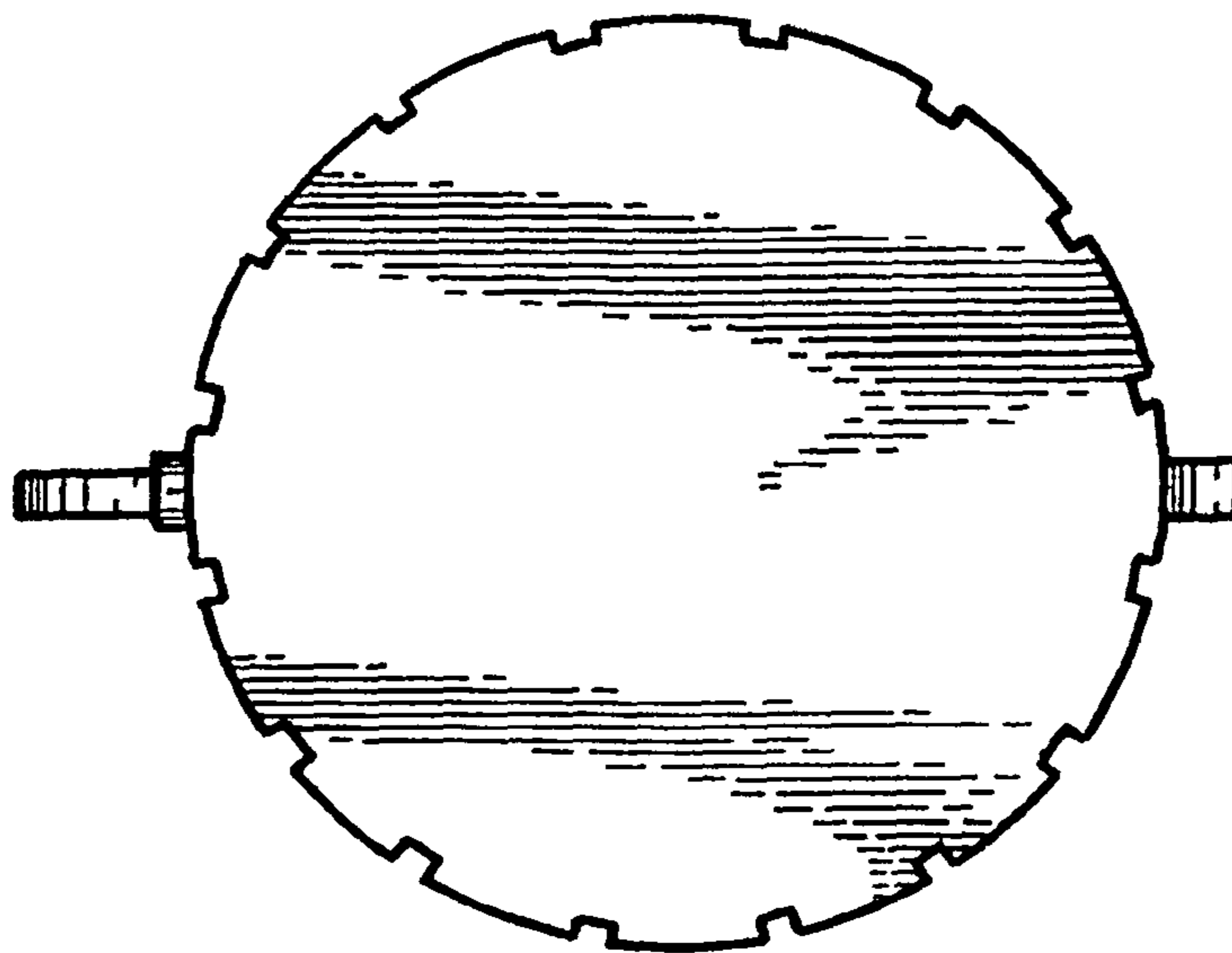


Fig. 6