



US00D718127S

(12) **United States Design Patent**  
**Moriyama et al.**

(10) **Patent No.:** **US D718,127 S**

(45) **Date of Patent:** **\*\* Nov. 25, 2014**

(54) **PACKAGING CONTAINER CAP**

(56) **References Cited**

(71) Applicants: **Morinaga & Co., Ltd.**, Minato-ku,  
Tokyo (JP); **Hosokawa Yoko Co., Ltd.**,  
Chiyoda-ku, Tokyo (JP)

(72) Inventors: **Yuichiro Moriyama**, Toyama (JP);  
**Yuichi Yokota**, Tokyo (JP); **Takeshi**  
**Okajima**, Anjo (JP); **Koichi**  
**Kuribayashi**, Tokyo (JP); **Koji Nagano**,  
Tokyo (JP); **Satoshi Matsuo**, Yokohama  
(JP); **Takahiro Yamaguchi**, Yokohama  
(JP); **Toshikazu Kenmotsu**, Tokyo (JP)

(73) Assignees: **Morinaga & Co., Ltd.**, Tokyo (JP);  
**Hosokawa Yoko Co., Ltd.**, Tokyo (JP)

(\*\*) Term: **14 Years**

(21) Appl. No.: **29/453,732**

(22) Filed: **May 2, 2013**

(30) **Foreign Application Priority Data**

Nov. 7, 2012 (JP) ..... D2012-027176

(51) **LOC (10) Cl.** ..... **09-07**

(52) **U.S. Cl.**  
USPC ..... **D9/438; D9/453**

(58) **Field of Classification Search**  
USPC ..... D9/434, 435, 440, 444, 453, 454, 455,  
D9/499; D7/396.2; 215/200, 252, 254,  
215/340; 220/200, 739, 903

See application file for complete search history.

U.S. PATENT DOCUMENTS

D392,187 S *	3/1998	King	.....	D9/453
D445,678 S *	7/2001	Malmborg	.....	D9/434
D445,679 S *	7/2001	Malmborg	.....	D9/434
D458,138 S *	6/2002	Fuchs	.....	D9/453
D675,526 S *	2/2013	Obrist	.....	D9/453
D679,597 S *	4/2013	Tamarindo	.....	D9/452

\* cited by examiner

*Primary Examiner* — Robert M Spear

(74) *Attorney, Agent, or Firm* — Carrier Blackman &  
Associates, P.C.; Joseph P. Carrier; William D. Blackman

(57) **CLAIM**

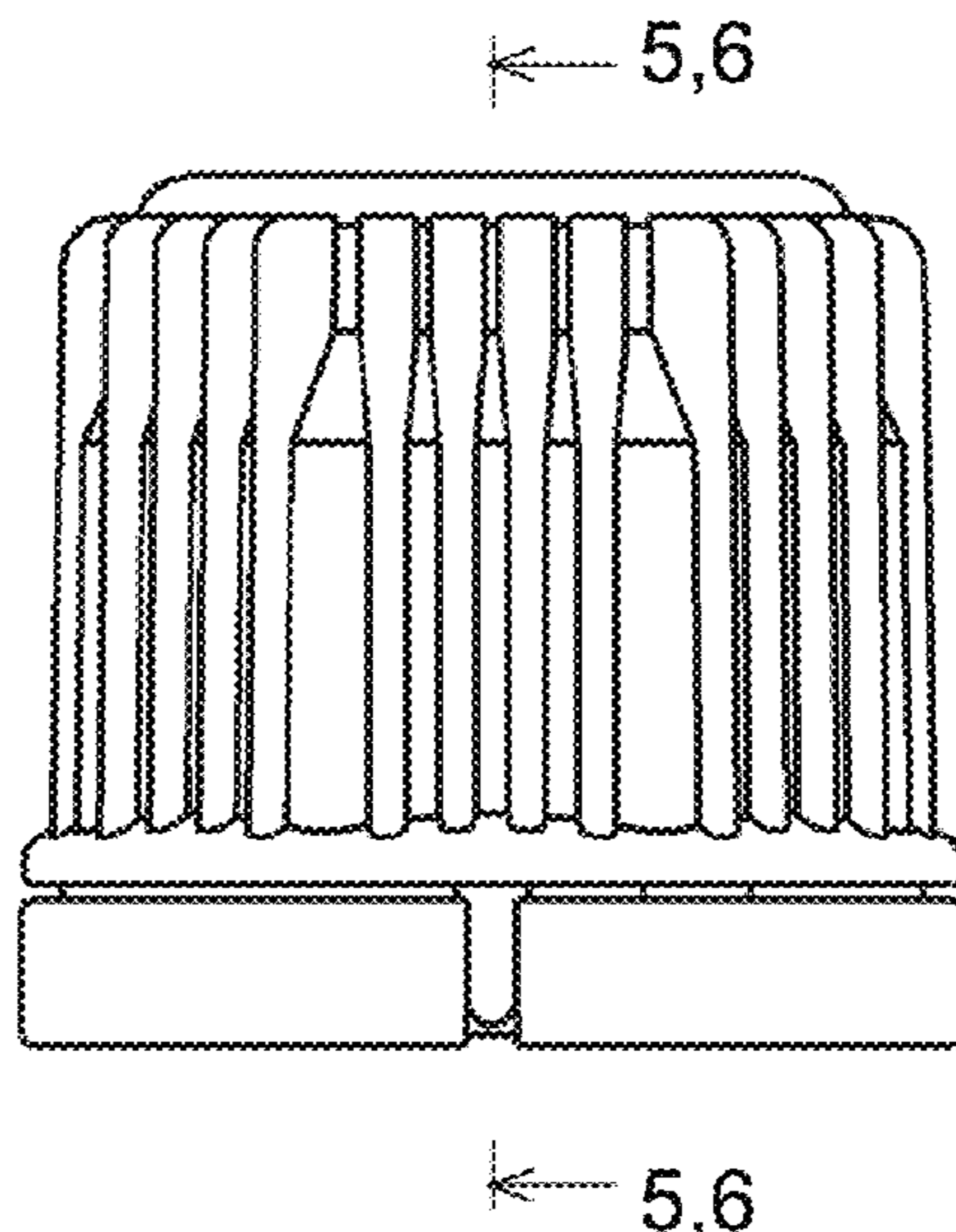
The ornamental design for a packaging container cap, sub-  
stantially as shown and described.

**DESCRIPTION**

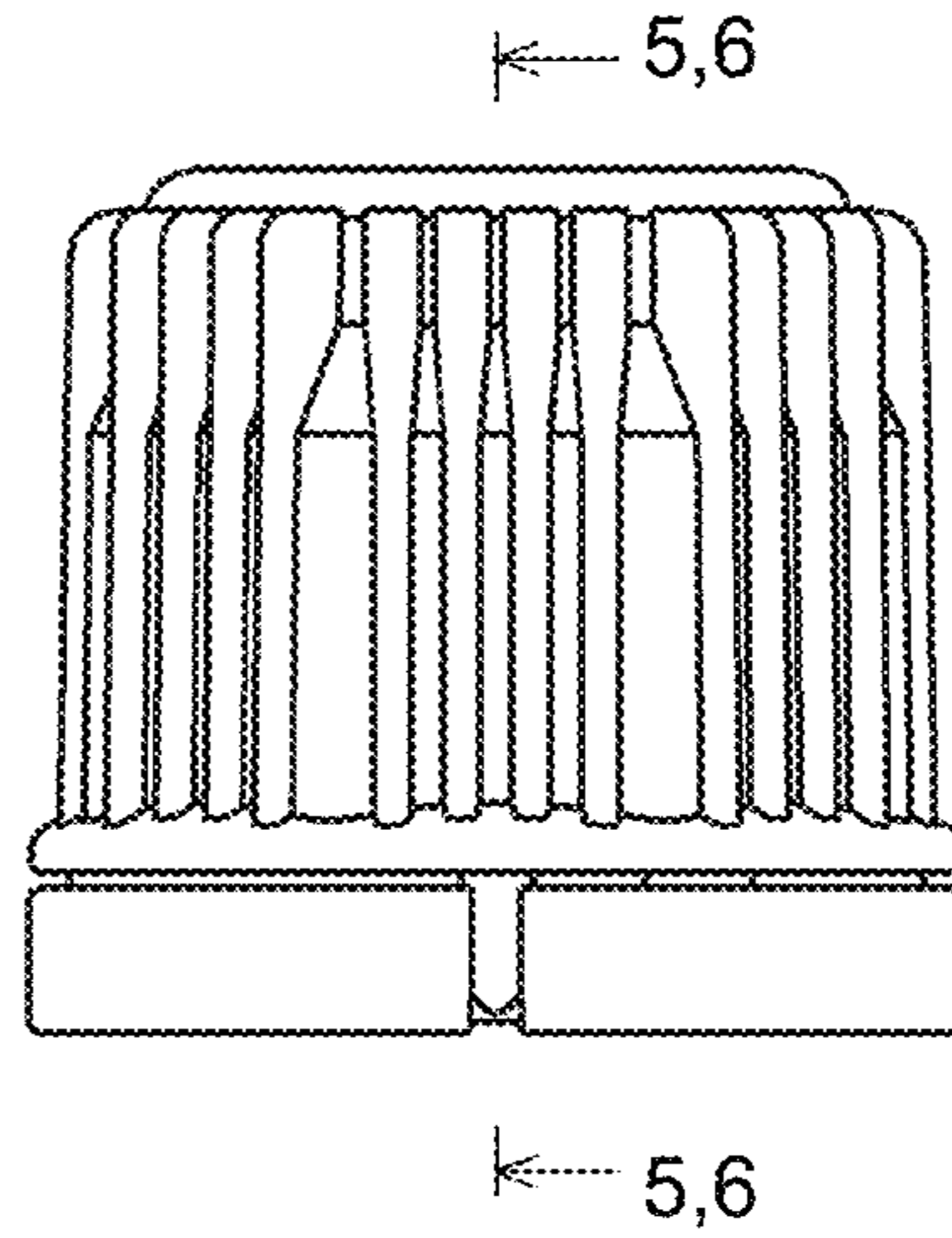
FIG. 1 is a front view of our new, original and ornamental  
design for a packaging container cap;  
FIG. 2 is a left side view thereof;  
FIG. 3 is a plan view thereof;  
FIG. 4 is a bottom view thereof;  
FIG. 5 is a cross sectional view thereof taken at line 5-5 of  
FIG. 1;  
FIG. 6 is a cross sectional view thereof taken in the direction  
of line 6-6 of FIG. 1;  
FIG. 7 is a cross sectional view thereof taken in the direction  
of line 7-7 of FIG. 2;  
FIG. 8 is a cross sectional view thereof taken at line 8-8 of  
FIG. 7; and,  
FIG. 9 is a cross sectional view thereof taken at line 9-9 of  
FIG. 7.

In the accompanying drawings, a rear view is identical to a  
front view and is omitted; and also right side view is identical  
to a left side view and is omitted.

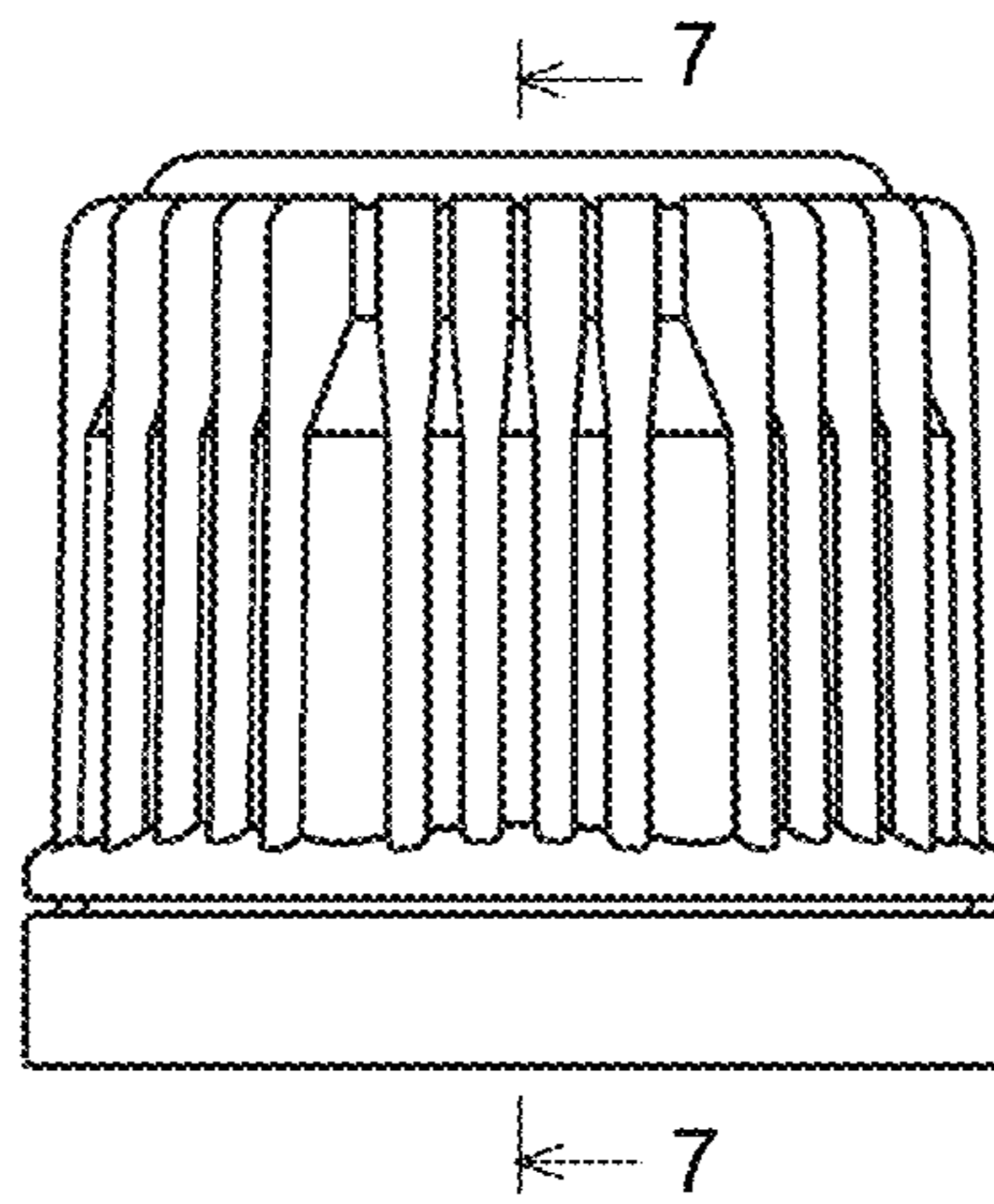
**1 Claim, 5 Drawing Sheets**



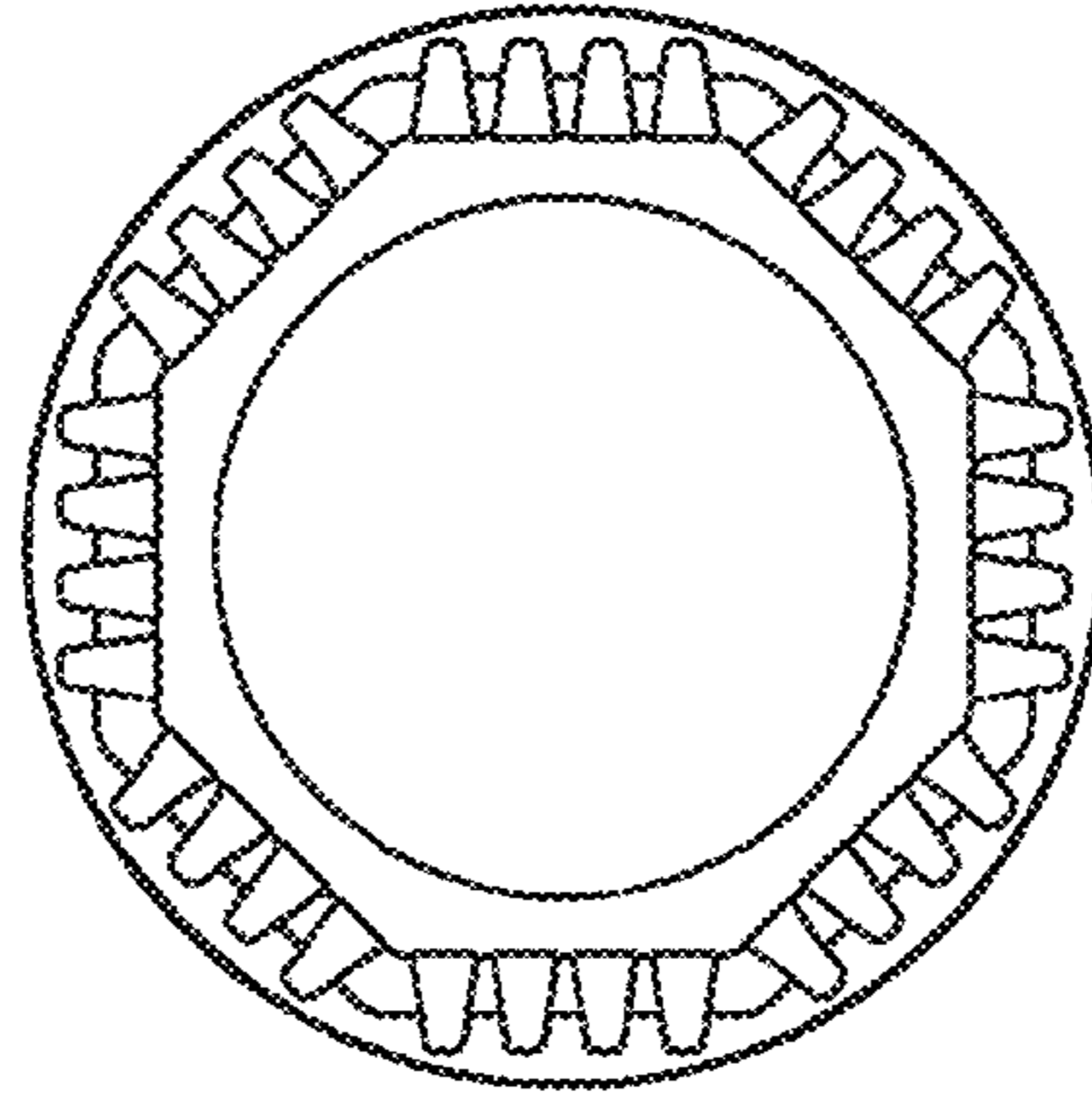
**FIG. 1**



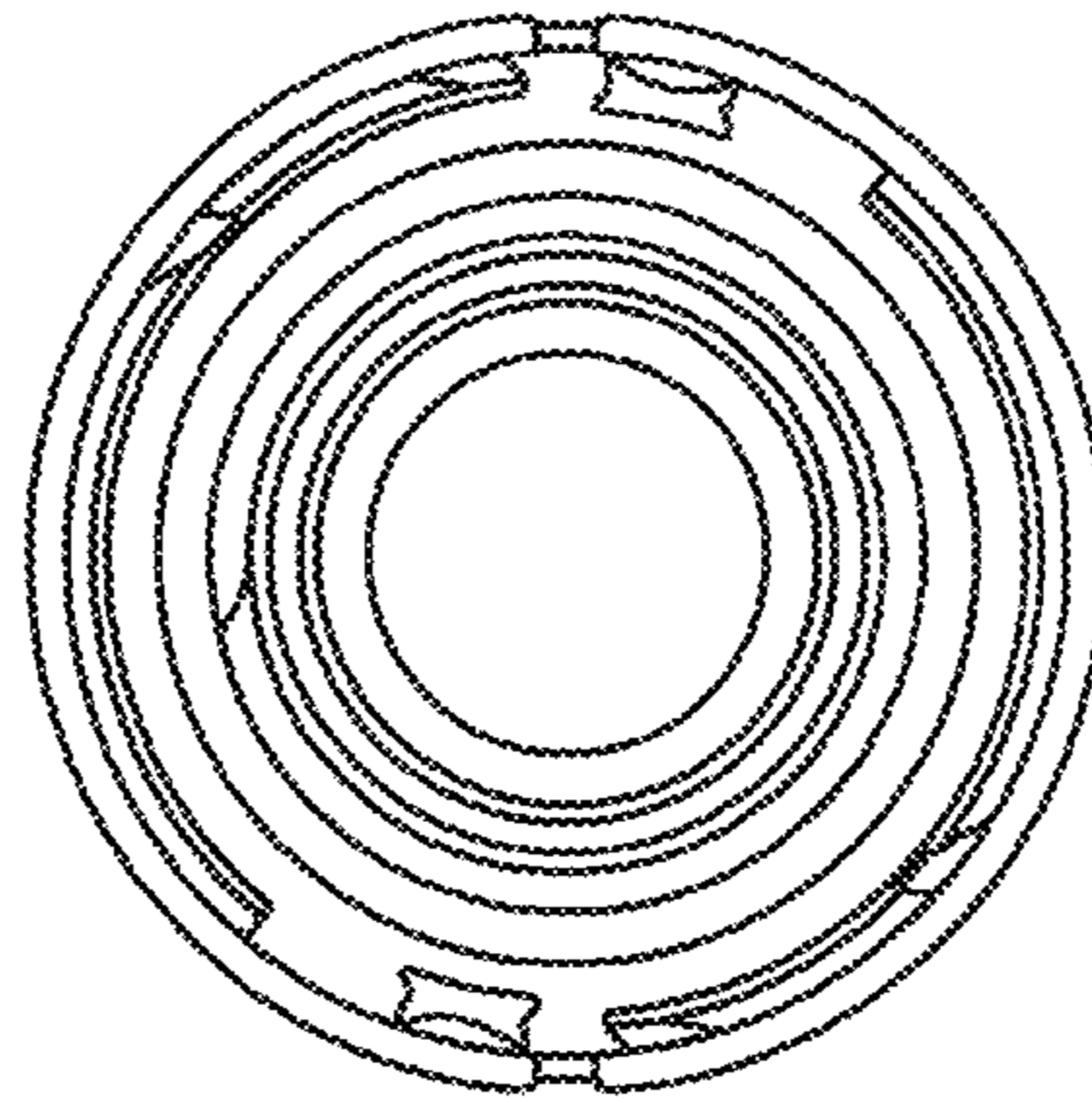
**FIG. 2**



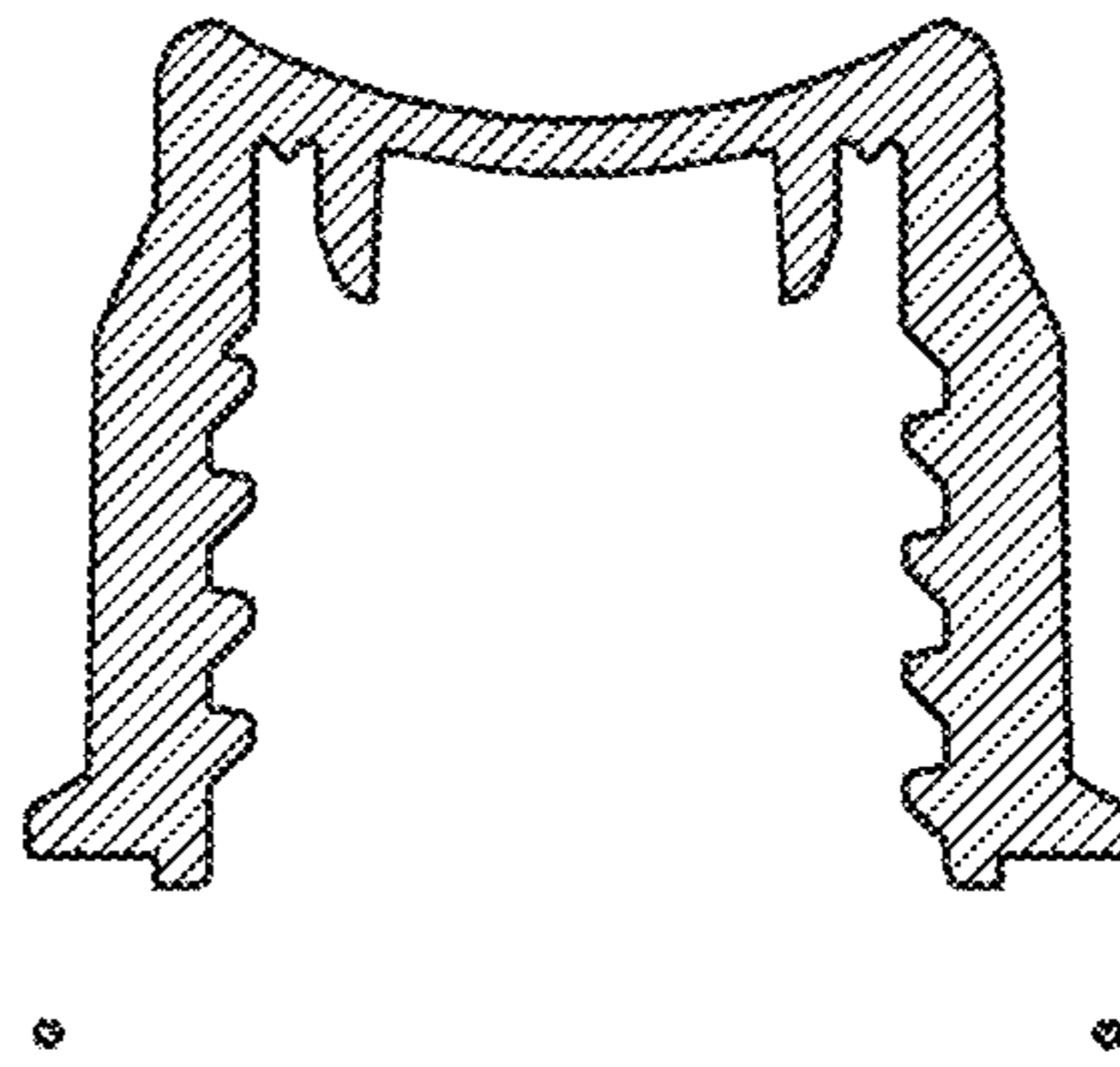
**FIG. 3**



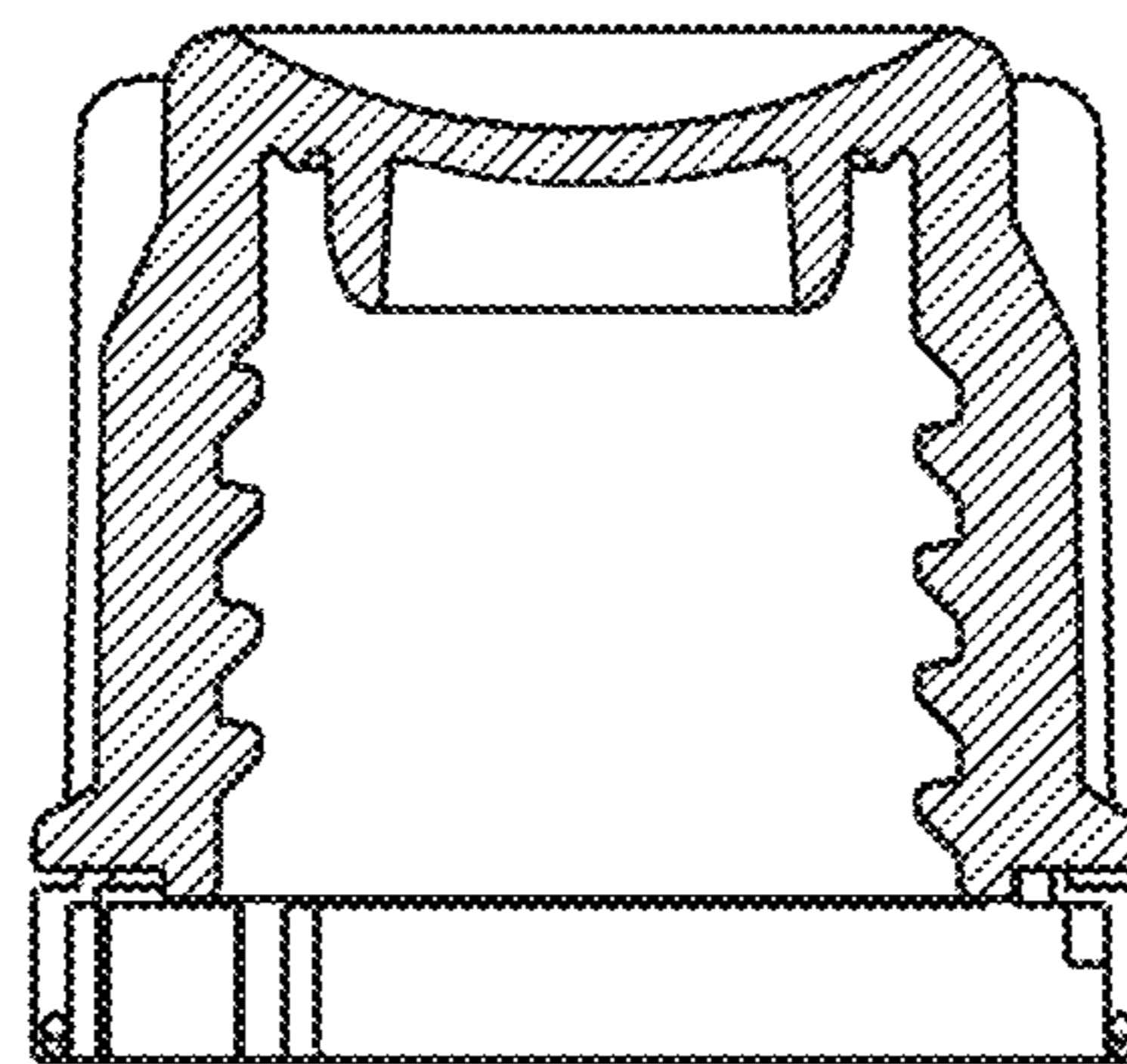
**FIG. 4**



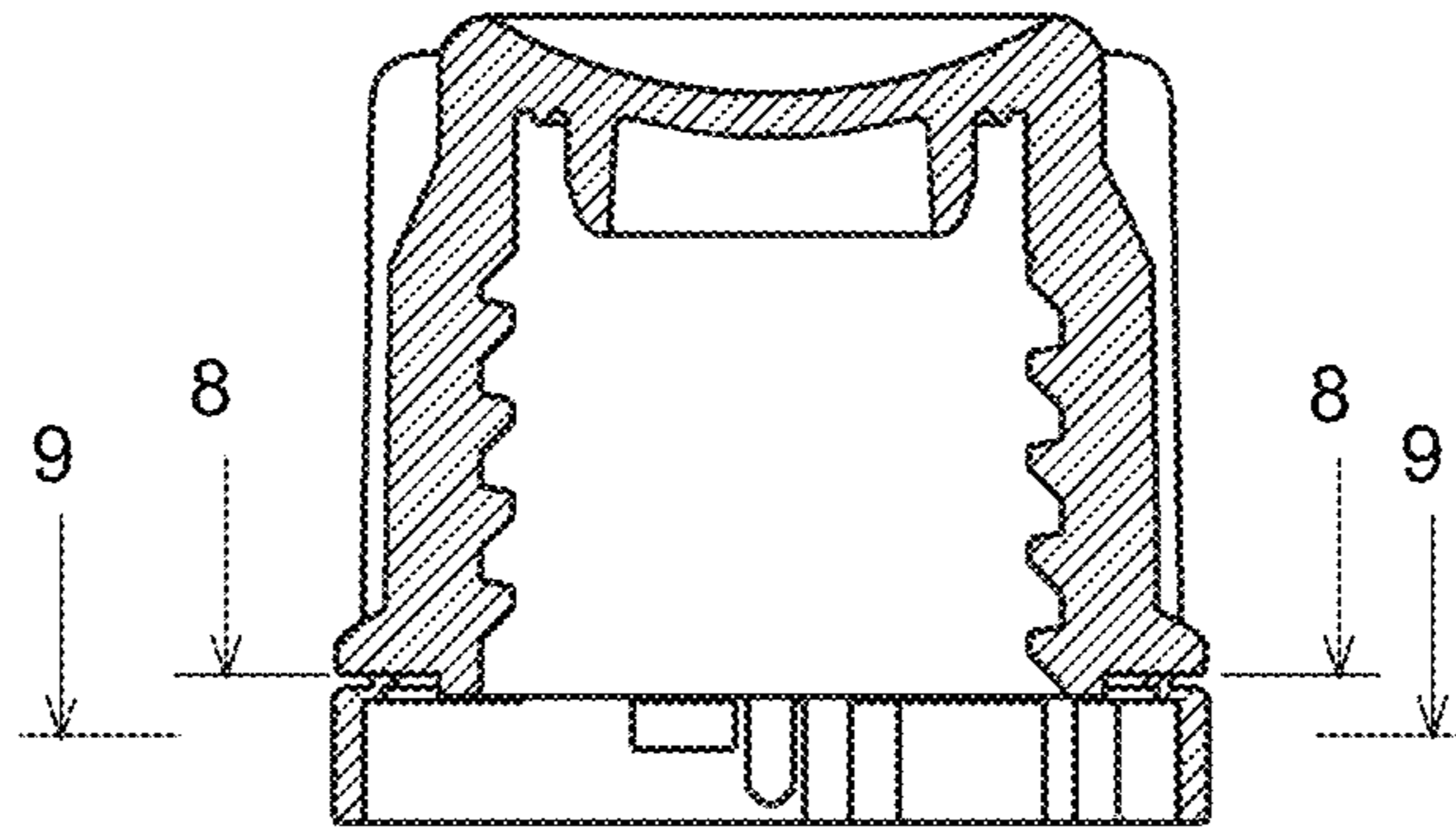
**FIG. 5**



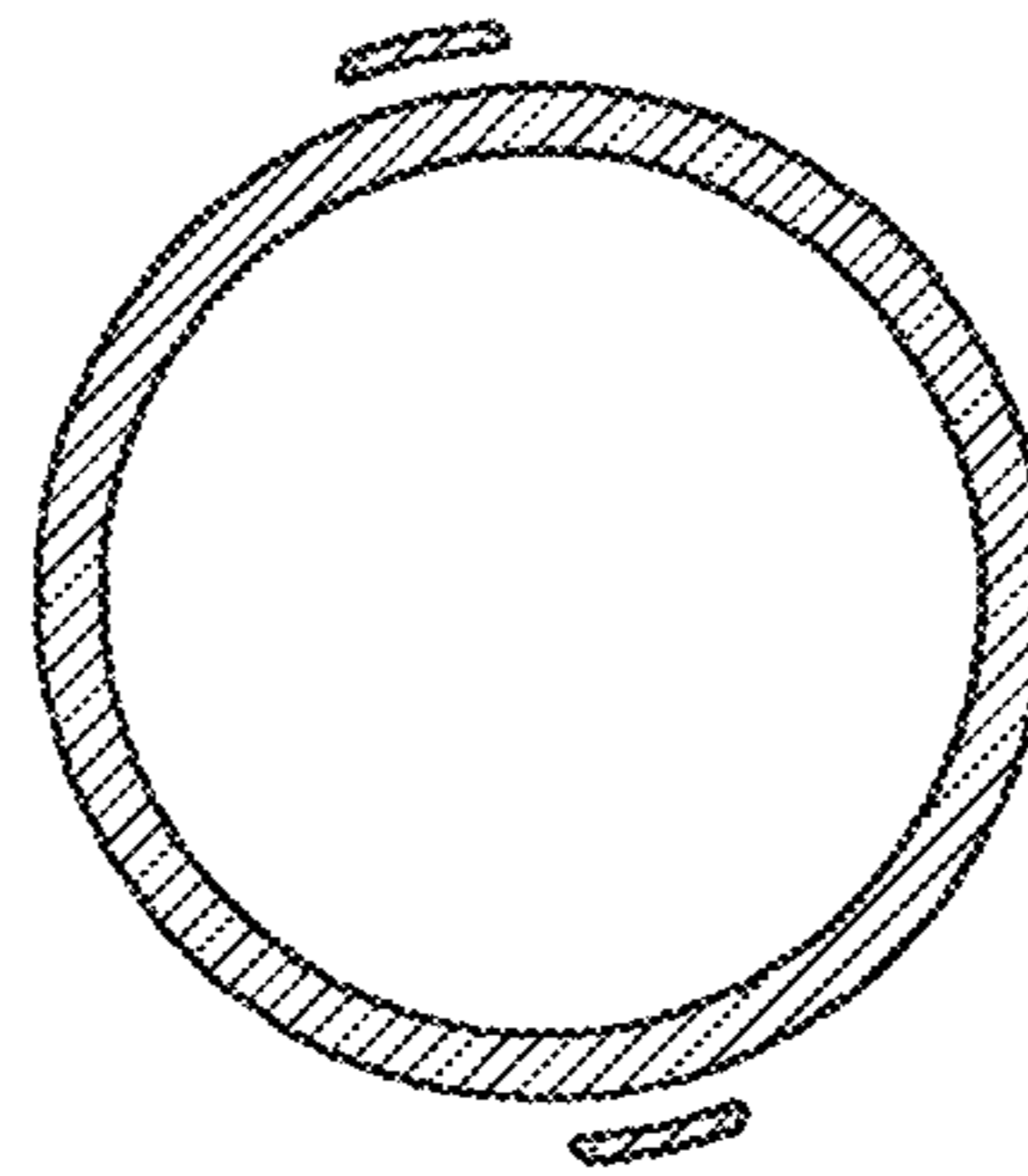
**FIG. 6**



**FIG. 7**



**FIG. 8**



**FIG. 9**

