



US00D718121S

(12) **United States Design Patent**  
**Yu**

(10) **Patent No.:** **US D718,121 S**  
(45) **Date of Patent:** **\*\* Nov. 25, 2014**

(54) **TUBE CONNECTOR**

- (71) Applicant: **Vincent Yu**, Changhua County (TW)
- (72) Inventor: **Vincent Yu**, Changhua County (TW)
- (73) Assignee: **Bitpower International Co., Ltd.**,  
Changhua County (TW)
- (\*\*) Term: **14 Years**
- (21) Appl. No.: **29/468,480**
- (22) Filed: **Sep. 30, 2013**
- (51) **LOC (10) Cl.** ..... **08-08**
- (52) **U.S. Cl.**  
USPC ..... **D8/382**
- (58) **Field of Classification Search**  
CPC ..... A61M 2039/1027; F16L 19/028;  
F16L 19/041; F16L 21/08; F16B 11/008;  
F16B 7/0426  
USPC ..... D8/382, 349, 354; D25/38.1, 61;  
403/205, 256; 256/65.01, 65.05;  
384/495, 906, 477, 558, 472, 512;  
211/182, 187, 189, 206; 277/579, 581;  
108/107, 147.13, 147.15, 147.12,  
108/147.16, 106, 108; D23/233, 393, 399,  
D23/303, 269; 474/96; D13/133; 439/346  
See application file for complete search history.

(56) **References Cited**

**U.S. PATENT DOCUMENTS**

435,160	A *	8/1890	Stoddard	.....	474/96
D383,053	S *	9/1997	Schrader et al.	.....	D8/382
D567,180	S *	4/2008	Sakamoto	.....	D13/133
D648,836	S *	11/2011	Drenth	.....	D23/269
8,096,824	B2 *	1/2012	Luzbetak et al.	.....	439/346
8,454,242	B2 *	6/2013	Mavrosakis	.....	384/512
D700,682	S *	3/2014	Bayyouk et al.	.....	D23/233
8,740,464	B2 *	6/2014	Berns	.....	384/477
2005/0100257	A1 *	5/2005	Oa	.....	384/477
2013/0084035	A1 *	4/2013	Williams et al.	.....	384/472

**OTHER PUBLICATIONS**

Quick Connector for 1/4" Poly Tubing, TJB-Inc., [online], [retrieved on Sep. 8, 2014]. Retrieved from the Internet <URL: <http://shop.tjb-inc.com/quick-connector-for-14-poly-tubing-use-with-the-aquascape-hudson-autofill-valve-p1648.aspx>>.\*

Race Tech Shock Seal Head Assembly, Canada's Motorcycles, [online], [retrieved on Sep. 8, 2014]. Retrieved from the Internet <URL: <http://www.canadasmotorcycle.ca/race-tech-shock-seal-head-assembly-46mm-x-14mm-x-13mm-sysh-461413.html>>.\*

RockShox Seal Head Assembly for 09-11 SID/09-11 Reba, bikeparts.com, [online], [retrieved on Sep. 8, 2014]. Retrieved from the Internet <URL: [http://www.bikeparts.com/search\\_results.asp?ID=BPC376113](http://www.bikeparts.com/search_results.asp?ID=BPC376113)>.\*

\* cited by examiner

*Primary Examiner* — Sheryl Lane  
*Assistant Examiner* — Nicole Shiflet

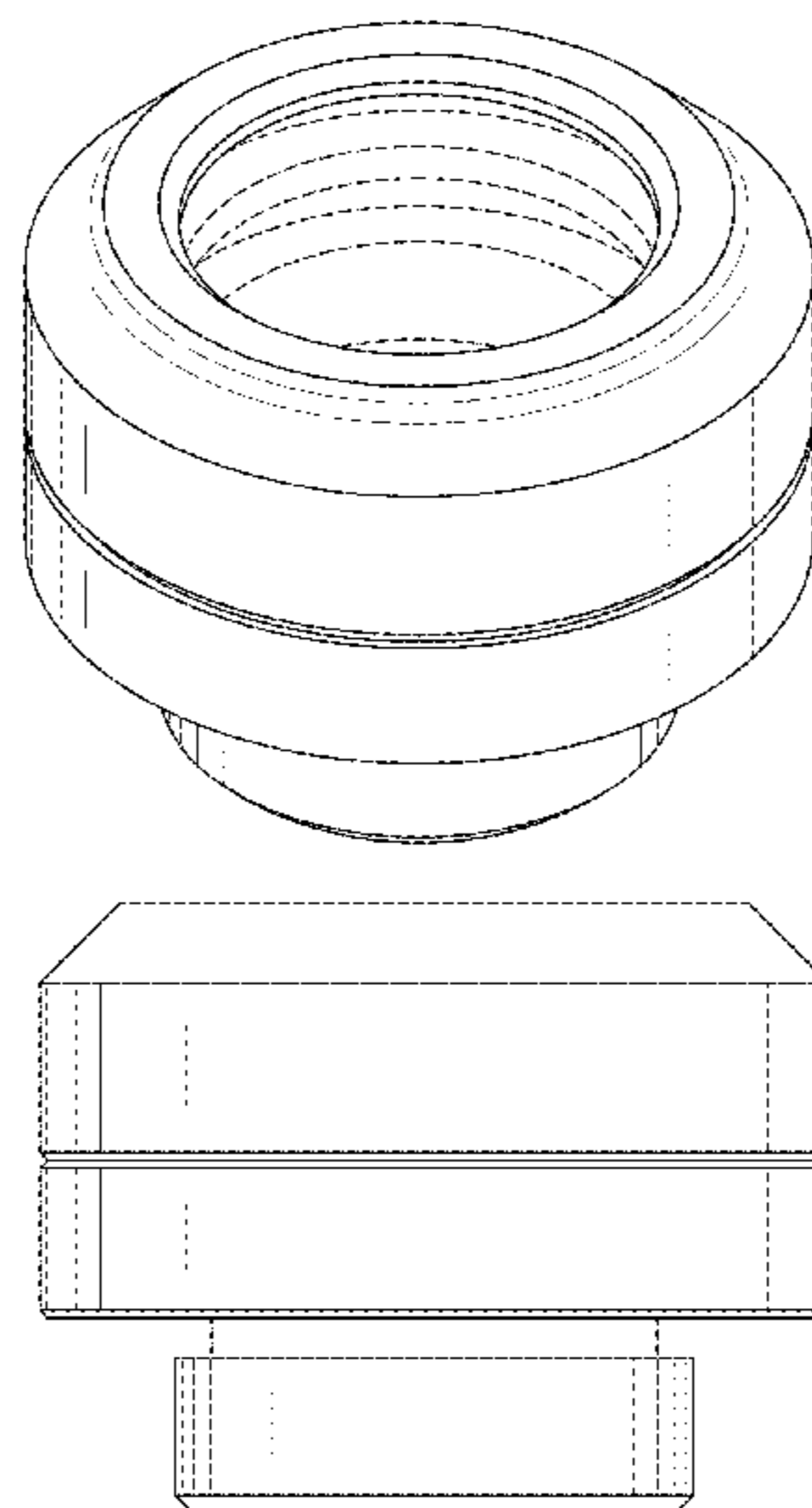
(57) **CLAIM**

The ornamental design for a tube connector, as shown and described.

**DESCRIPTION**

FIG. 1 is a perspective view of a tube connector showing my new design;  
FIG. 2 is a front elevational view thereof;  
FIG. 3 is a rear elevational view thereof;  
FIG. 4 is a left side view thereof;  
FIG. 5 is a right side view thereof;  
FIG. 6 is a top plan view thereof;  
FIG. 7 is a bottom plan view thereof;  
FIG. 8 is another perspective view thereof; and,  
FIG. 9 is an assembled view for showing the tube connector which is assembled with tubes.  
The broken lines shown in the drawings show unclaimed subject matter only and form no part of the claimed design.

**1 Claim, 6 Drawing Sheets**



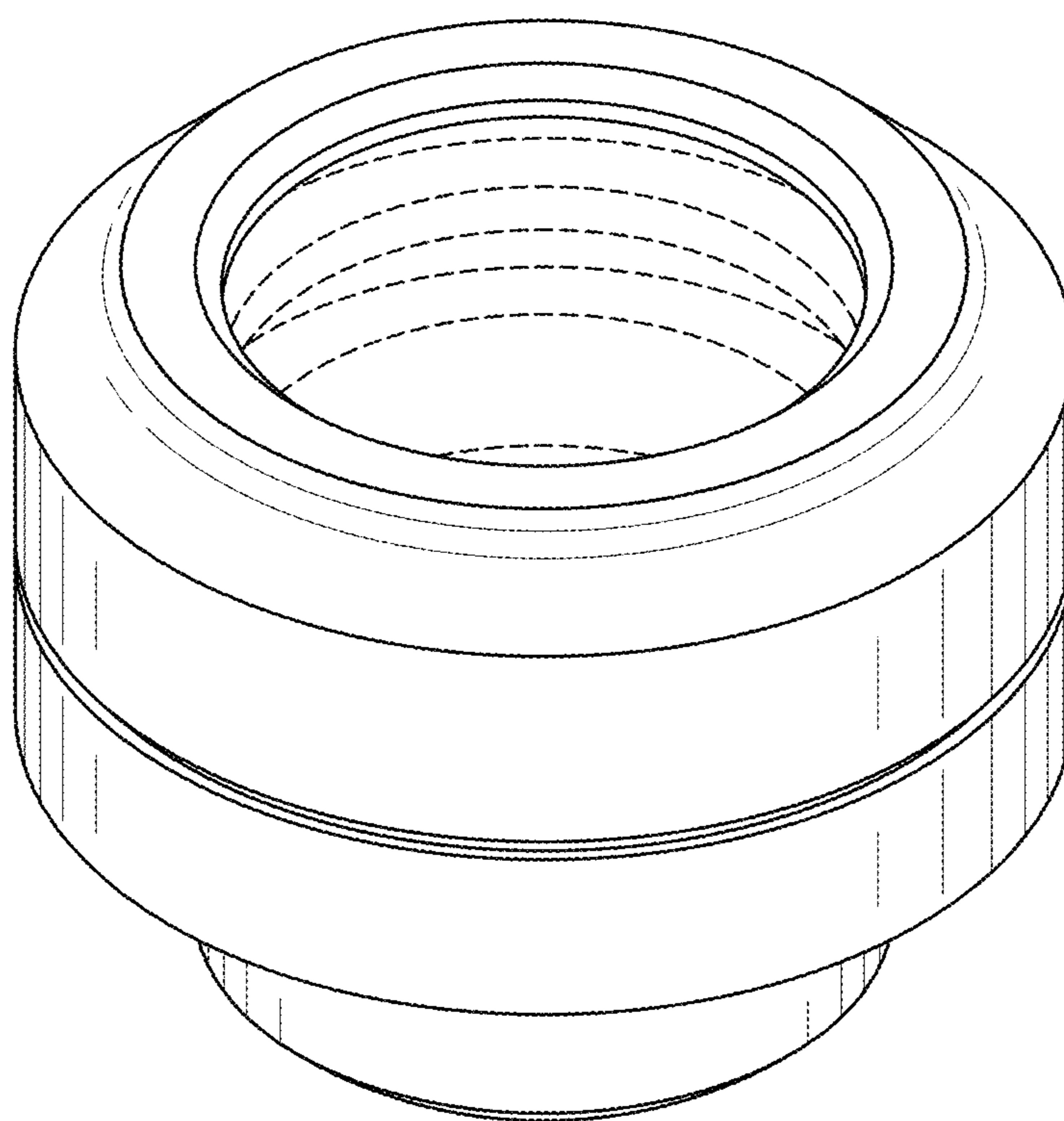


FIG.1

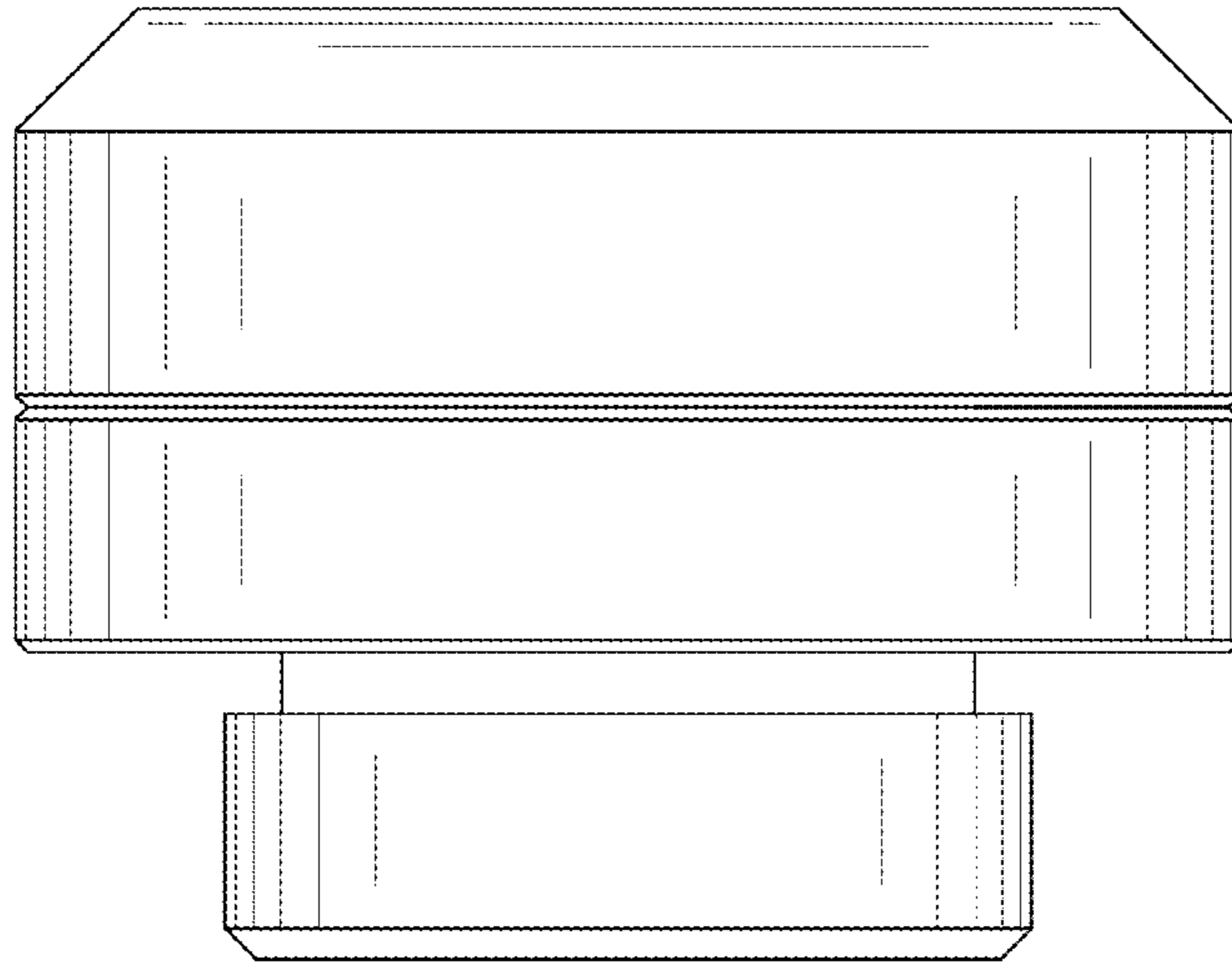


FIG.2

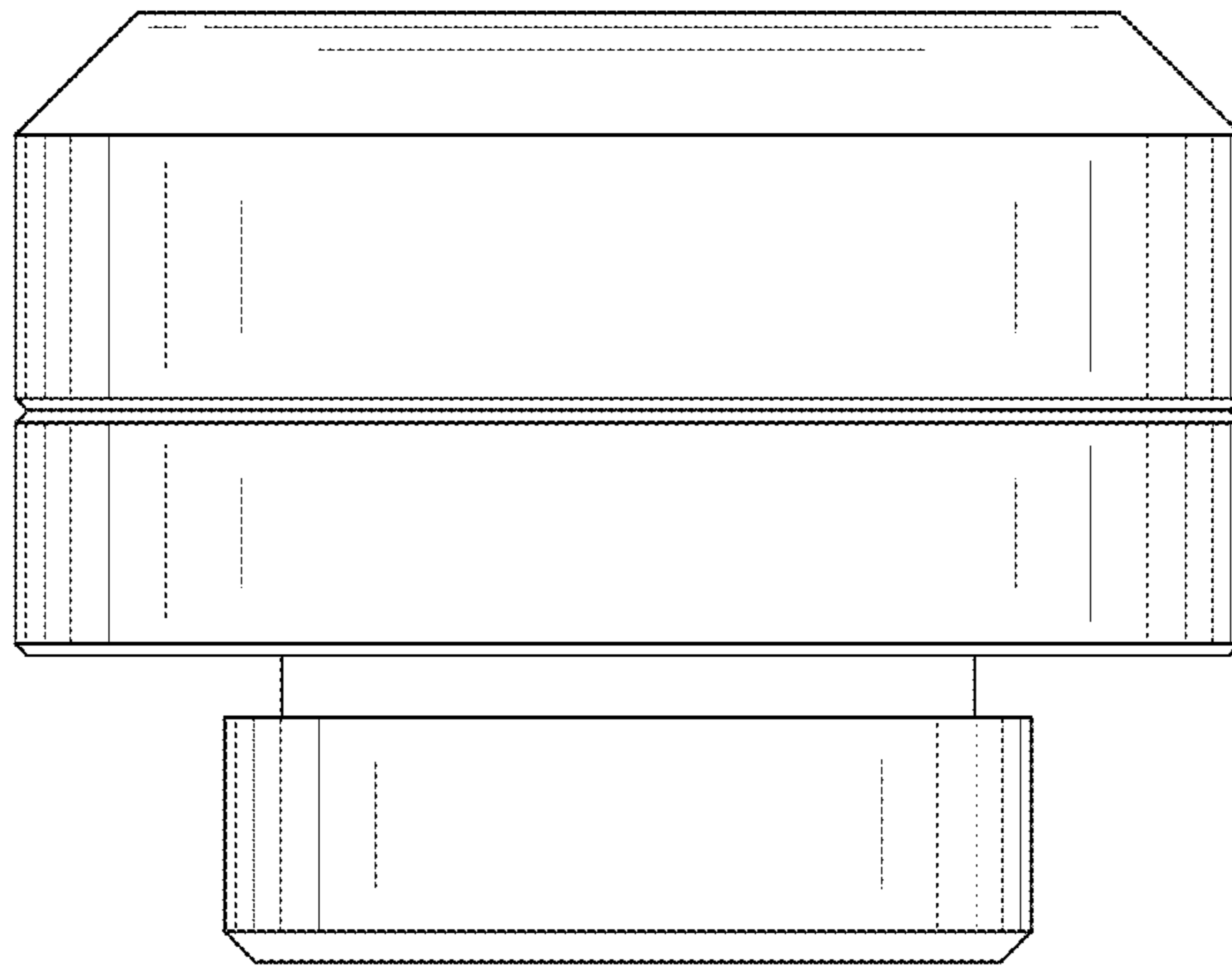


FIG.3

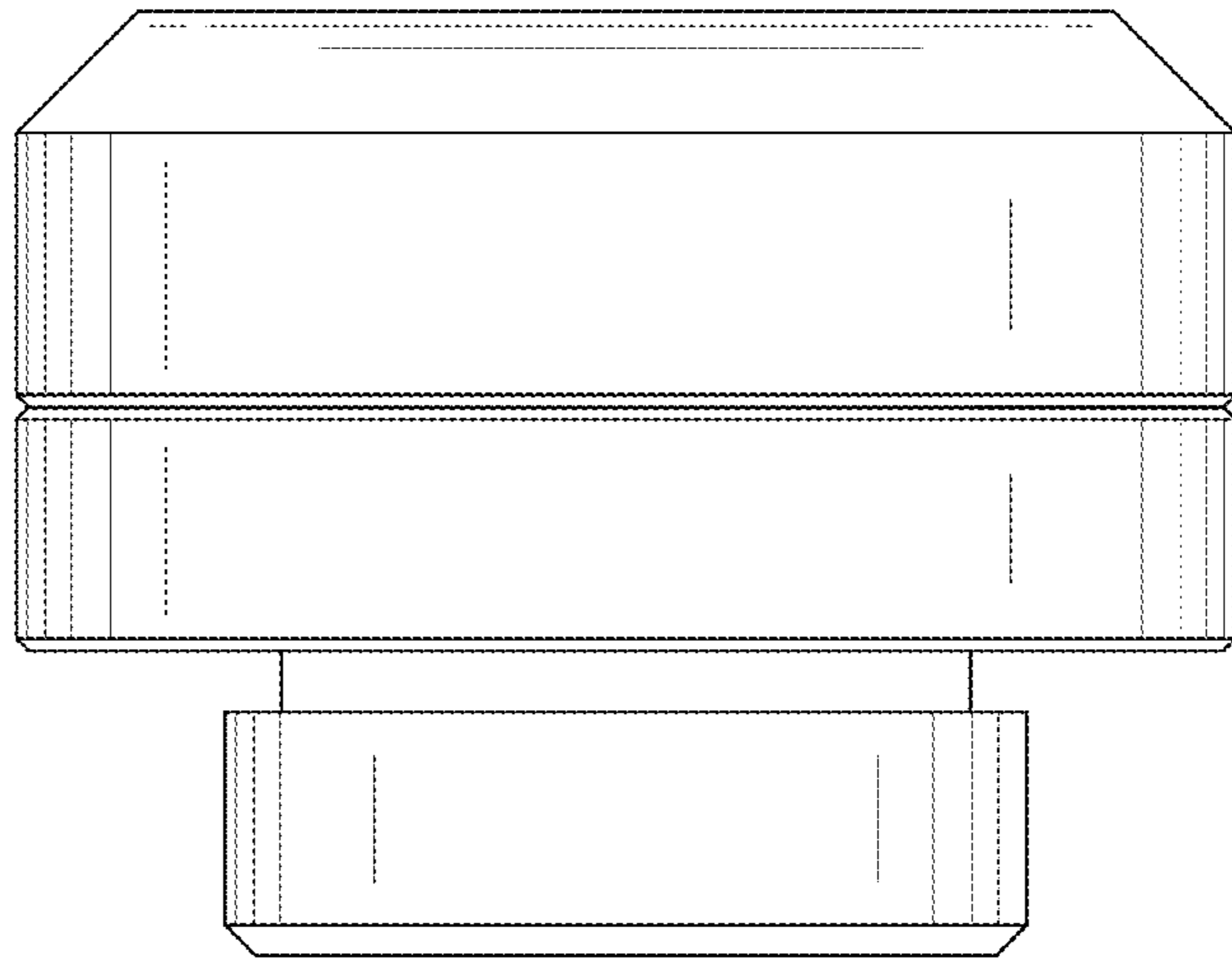


FIG.4

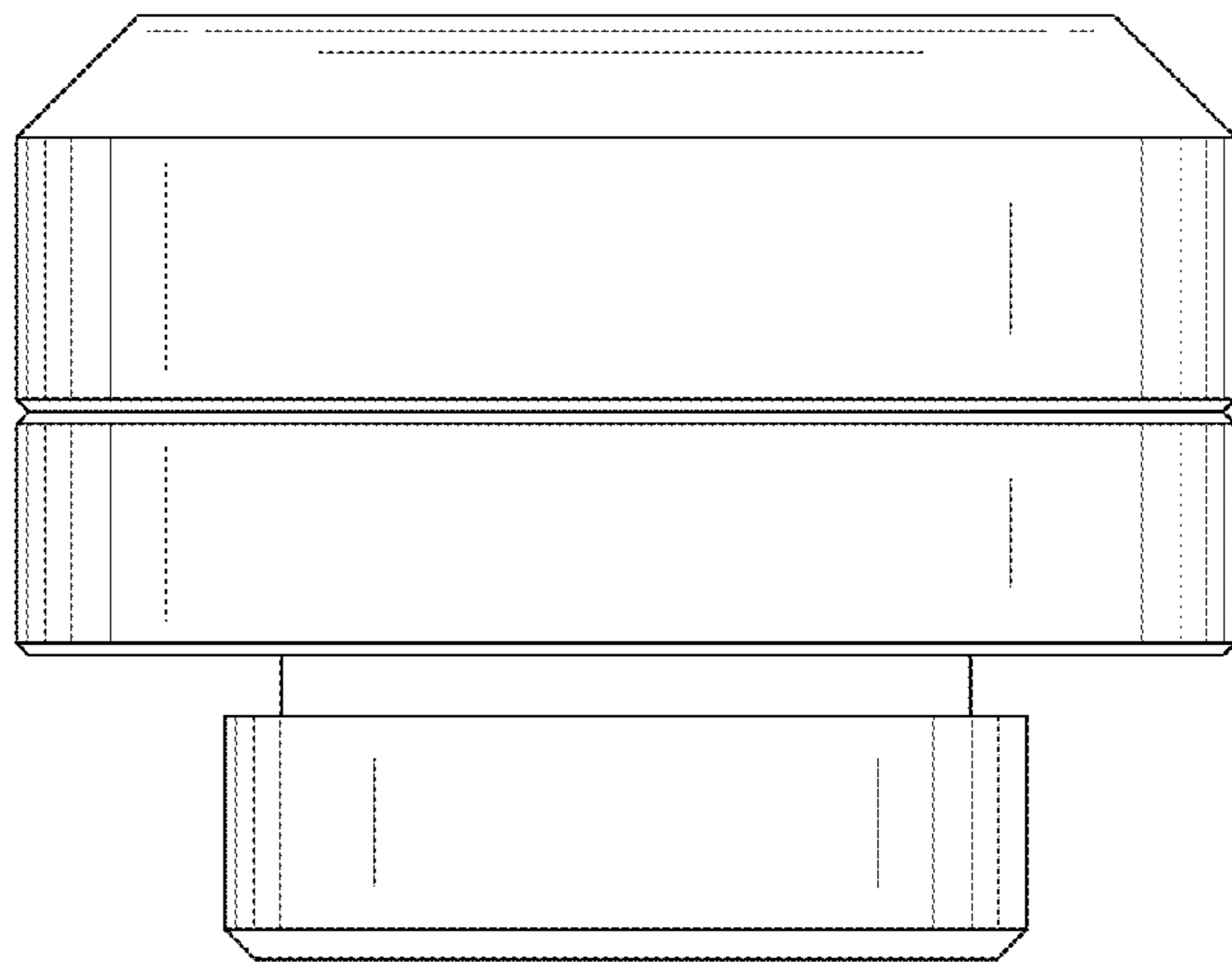


FIG.5

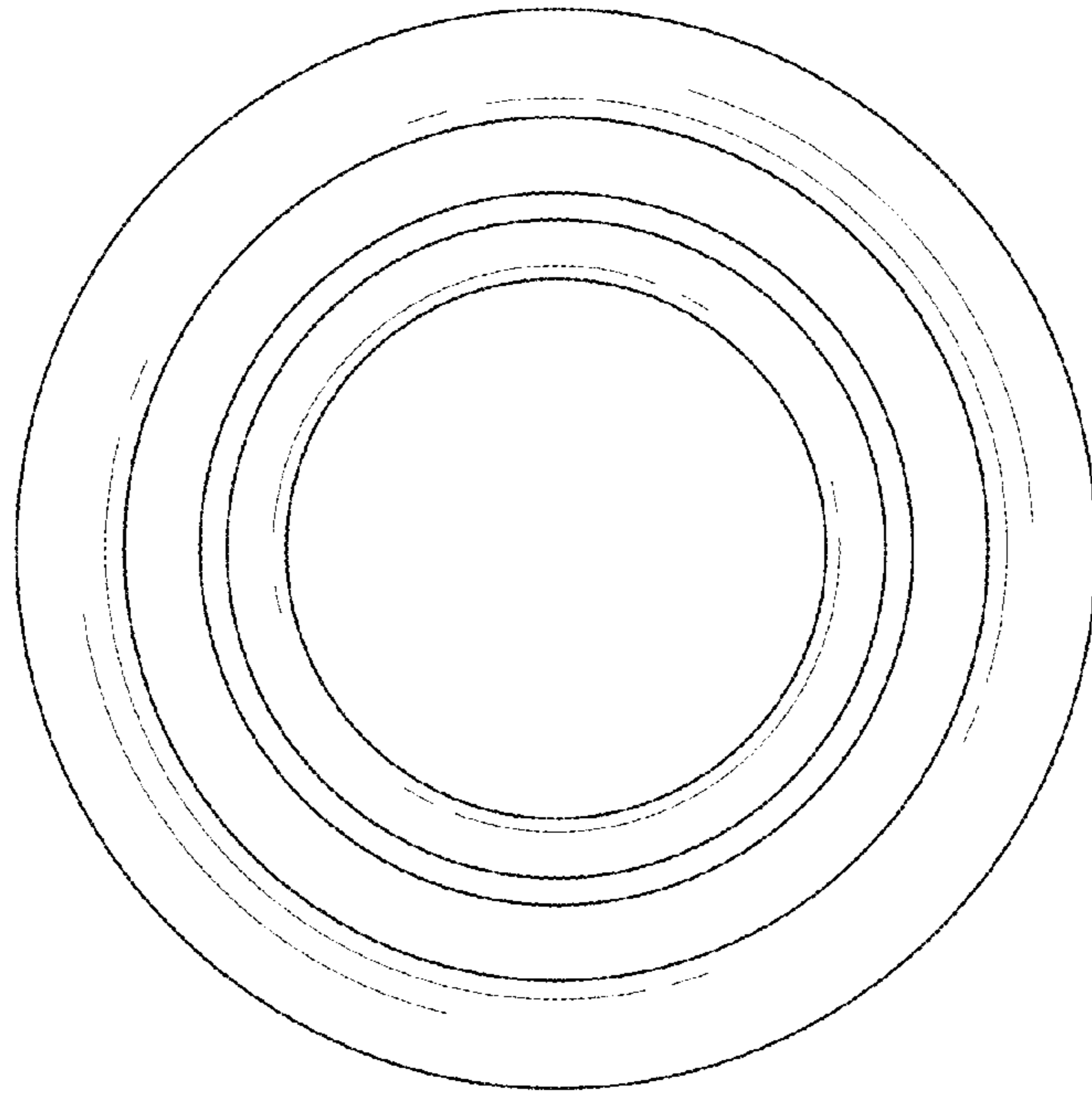


FIG. 6

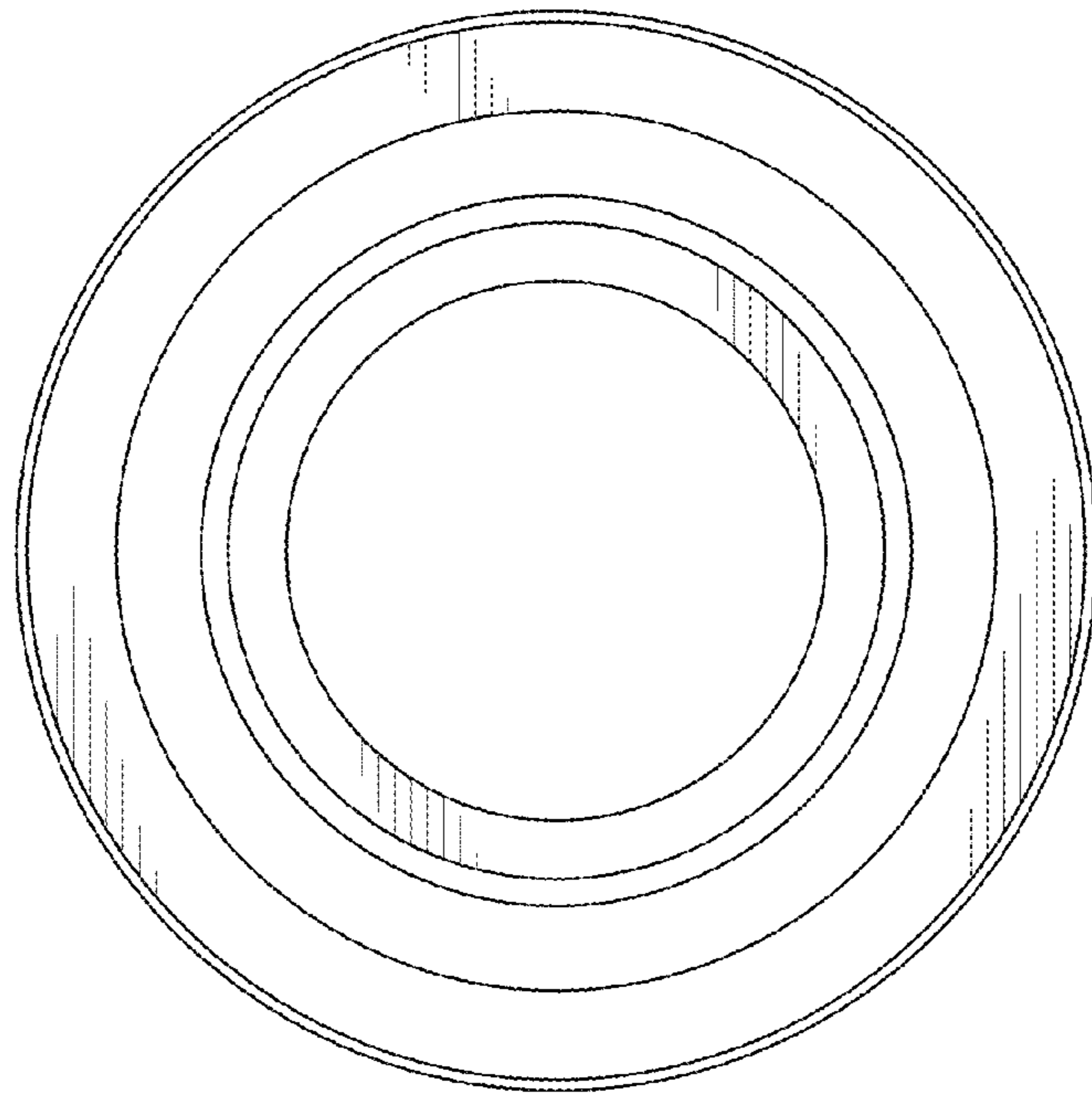


FIG. 7

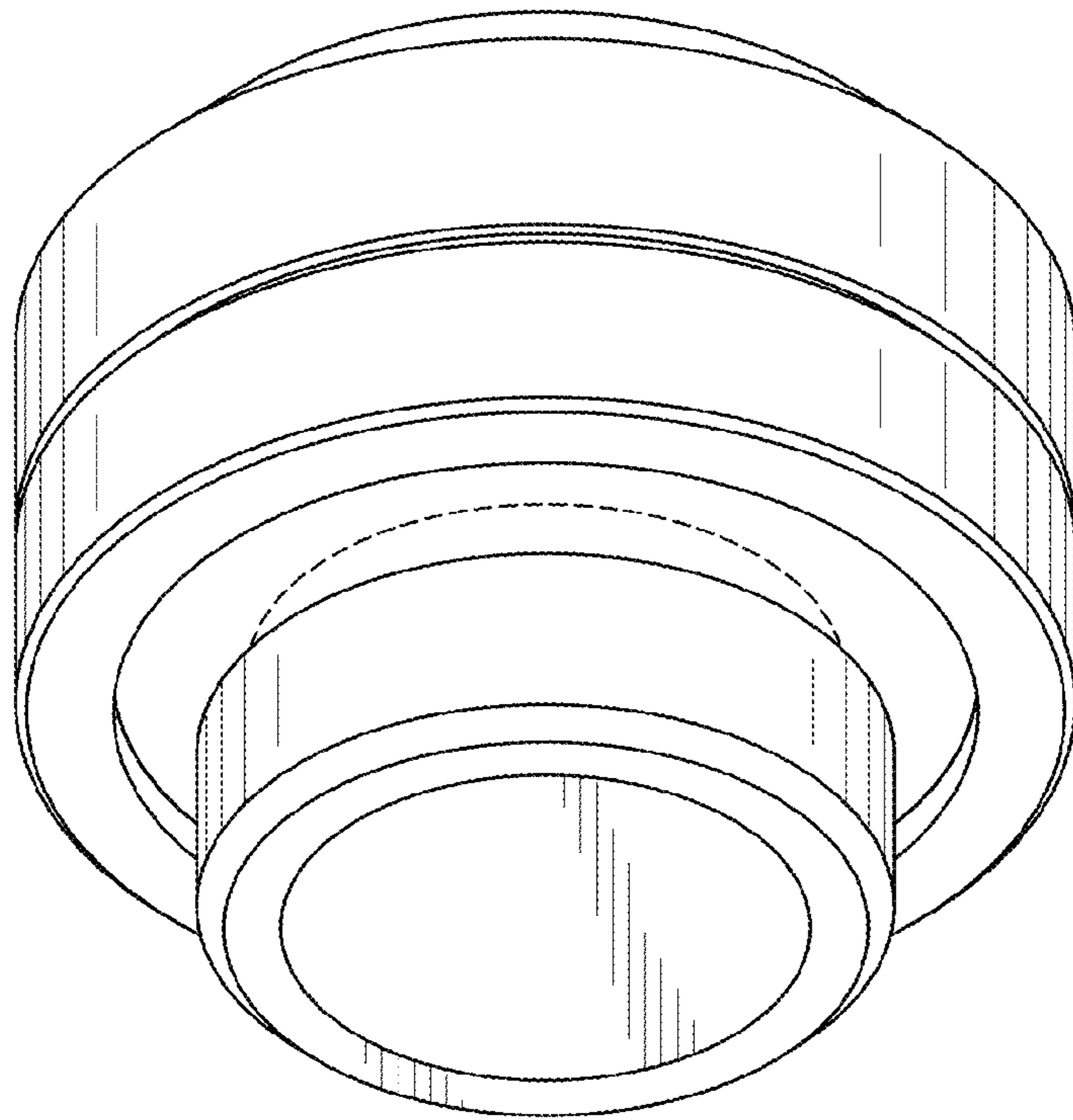


FIG.8

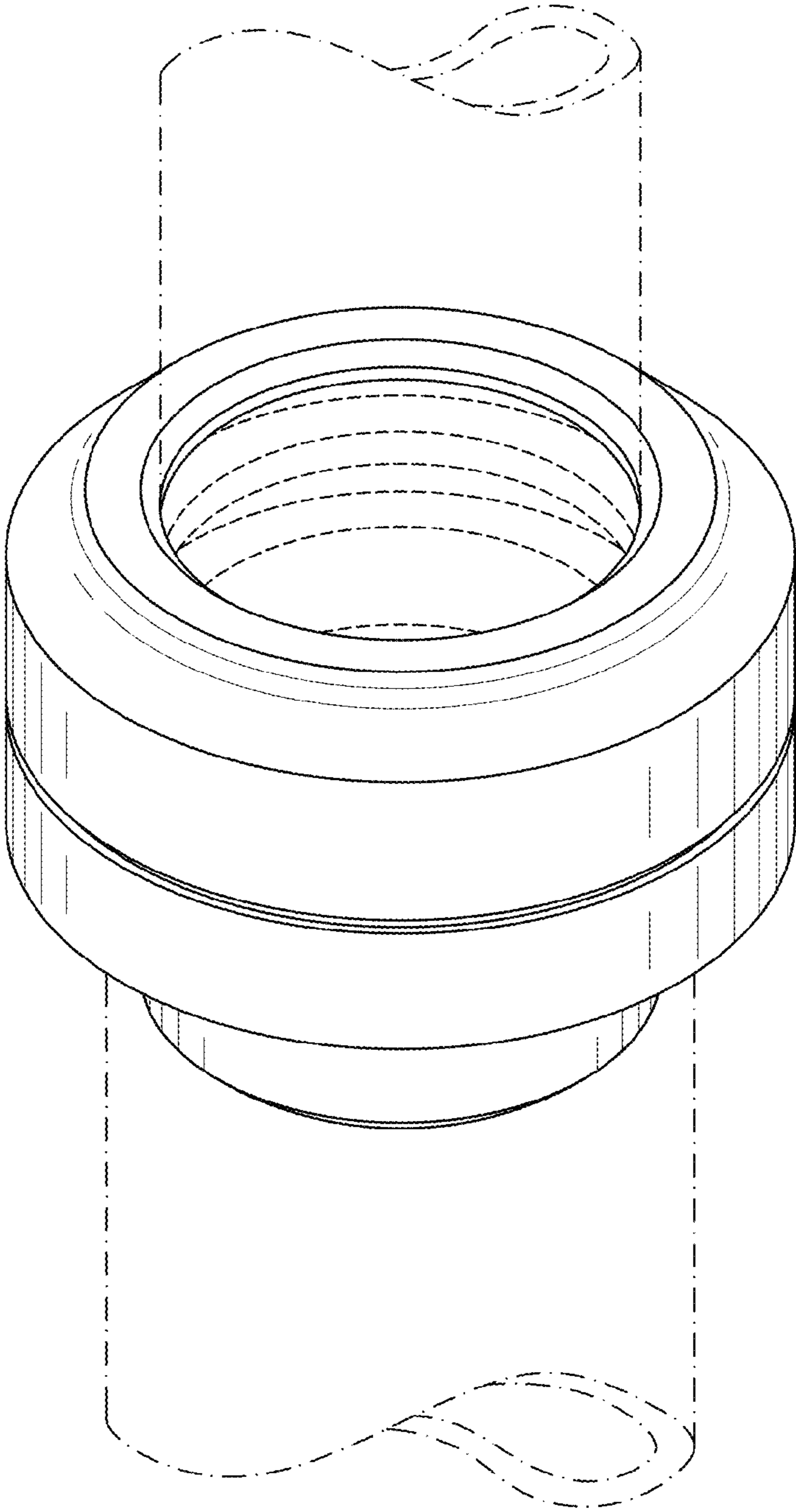


FIG.9