



US00D718119S

(12) **United States Design Patent**
Tamas

(10) **Patent No.:** **US D718,119 S**

(45) **Date of Patent:** **** Nov. 25, 2014**

(54) **SUPPORT STRUCTURE**

(71) Applicant: **Istvan Tamas**, Clifton, NJ (US)

(72) Inventor: **Istvan Tamas**, Clifton, NJ (US)

(**) Term: **14 Years**

(21) Appl. No.: **29/446,768**

(22) Filed: **Feb. 27, 2013**

(51) **LOC (10) Cl.** **08-05**

(52) **U.S. Cl.**
USPC **D8/367**

(58) **Field of Classification Search**
CPC A47G 29/08; A47G 25/00; A47G 29/00;
A47G 25/08
USPC D8/360, 352, 358, 367, 373, 356, 359,
D8/354; 254/391, 402, 405, 406, 409, 415;
211/119.04, 119.05; 384/417
See application file for complete search history.

(56) **References Cited**

U.S. PATENT DOCUMENTS

D162,797 S *	4/1951	Dubinetz et al.	D19/78
2,891,752 A *	6/1959	Genter	248/71
D288,745 S *	3/1987	Fenton	D6/300
4,726,607 A *	2/1988	White	281/45
D301,489 S *	6/1989	Aquila et al.	D19/88
D311,484 S *	10/1990	Sachs	D8/367
D349,041 S *	7/1994	Wical	D8/373
D365,015 S *	12/1995	Avinger	D8/373
5,810,304 A *	9/1998	Lehrman	248/215

D467,791 S *	12/2002	Goodman et al.	D8/371
D482,600 S *	11/2003	Dretzka	D8/367
D494,050 S *	8/2004	Klein et al.	D8/373
D539,638 S *	4/2007	Franks, Jr.	D8/395
D566,532 S *	4/2008	Wolff	D8/367
D584,939 S *	1/2009	Snell	D8/367
D632,549 S *	2/2011	Williams	D8/367
D647,389 S *	10/2011	Gracia	D8/367
2010/0139050 A1 *	6/2010	Kelly	24/67.5

* cited by examiner

Primary Examiner — Deanna L Pratt

Assistant Examiner — Lilyana Bekic

(74) *Attorney, Agent, or Firm* — Lawrence G. Fridman

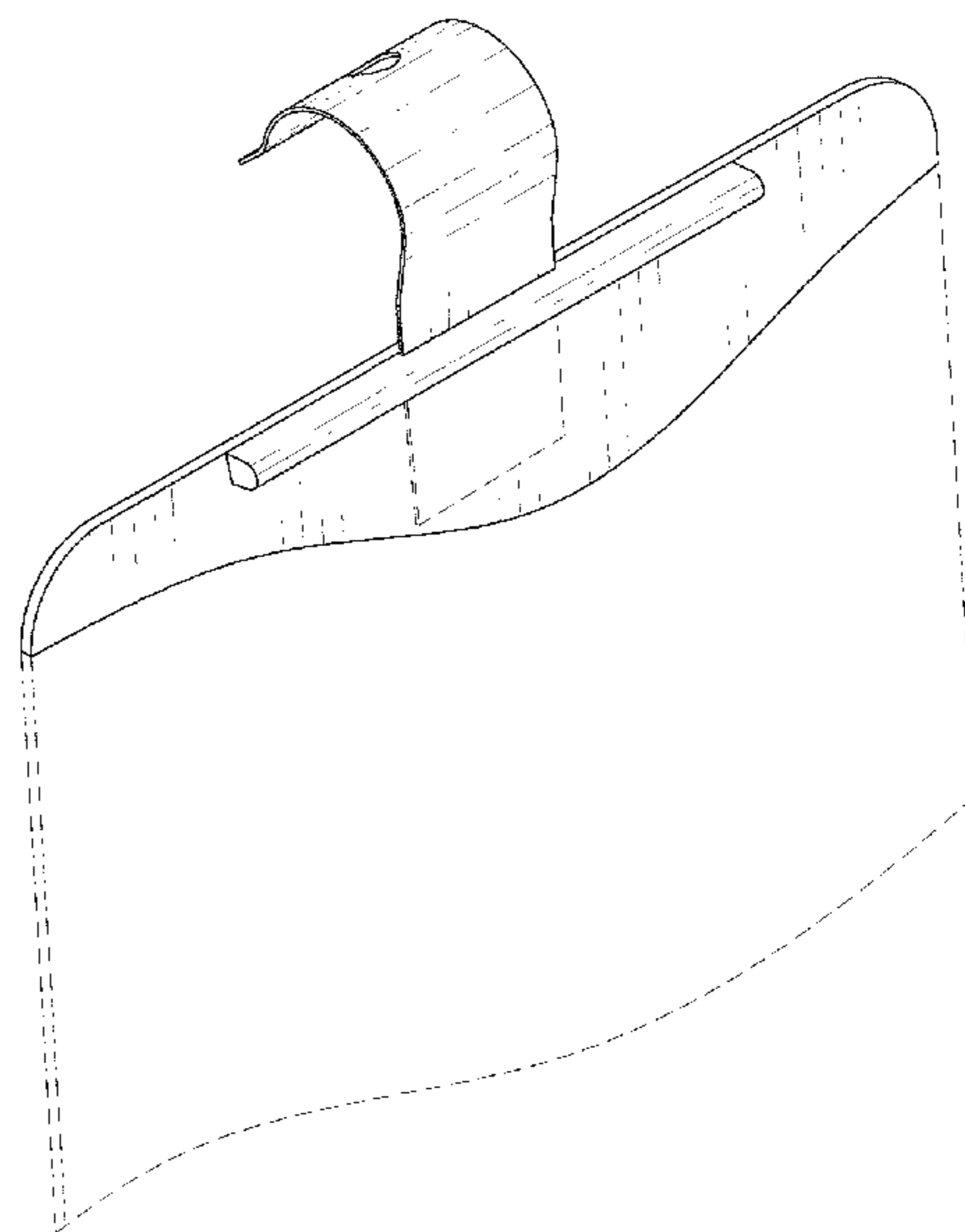
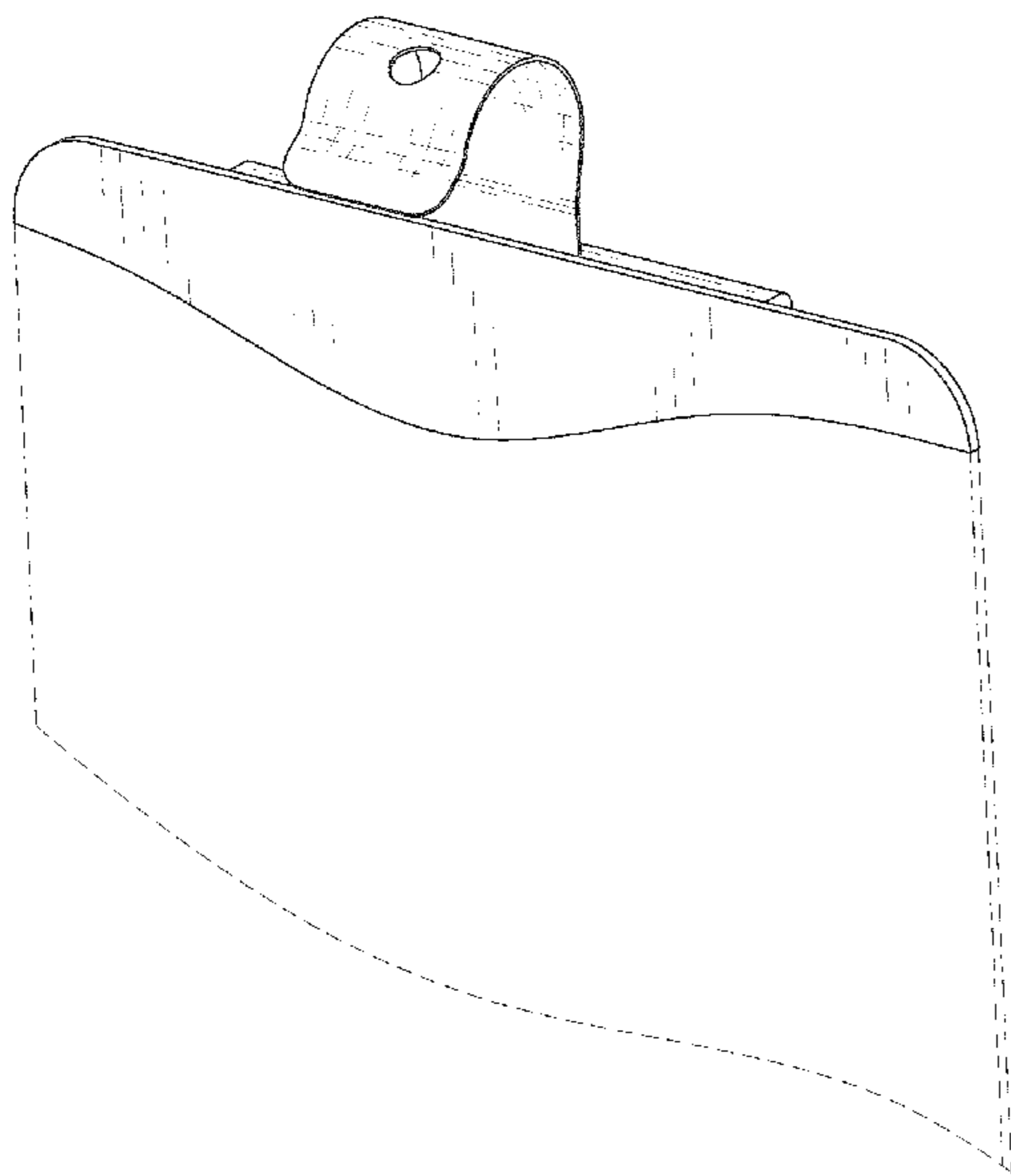
(57) **CLAIM**

The ornamental design for a support structure, as shown and described.

DESCRIPTION

FIG. 1 is a front perspective view showing a support structure according to my design;
FIG. 2 is a rear perspective view thereof;
FIG. 3 is a front elevational view thereof;
FIG. 4 is a rear elevational view thereof;
FIG. 5 is a top plan view thereof;
FIG. 6 is a bottom plan view thereof;
FIG. 7 is one side elevational view thereof; and,
FIG. 8 is another side elevational view thereof.
The broken lines in the drawings illustrate portions of the support structure which form no part of the claimed design.

1 Claim, 5 Drawing Sheets



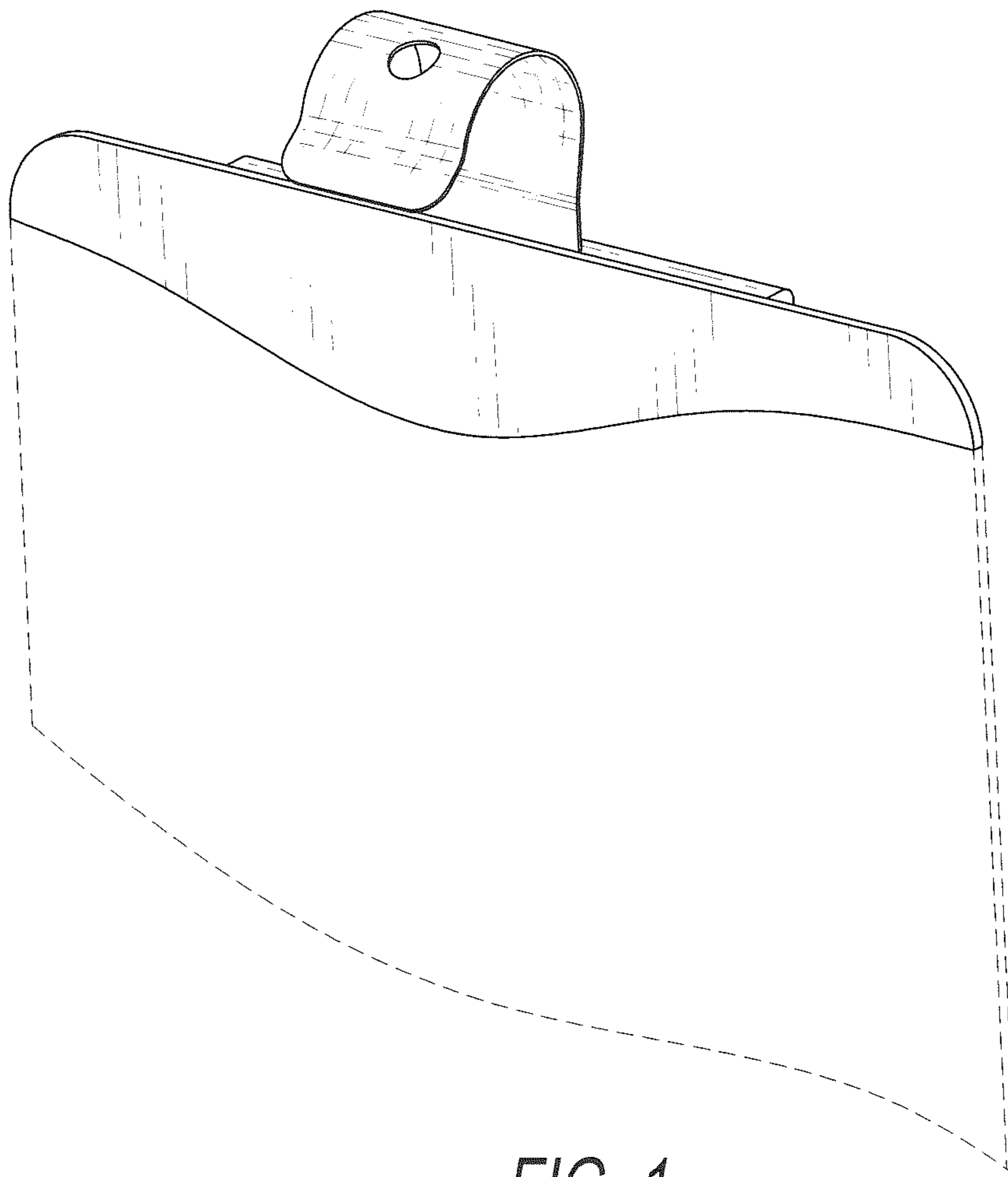


FIG. 1

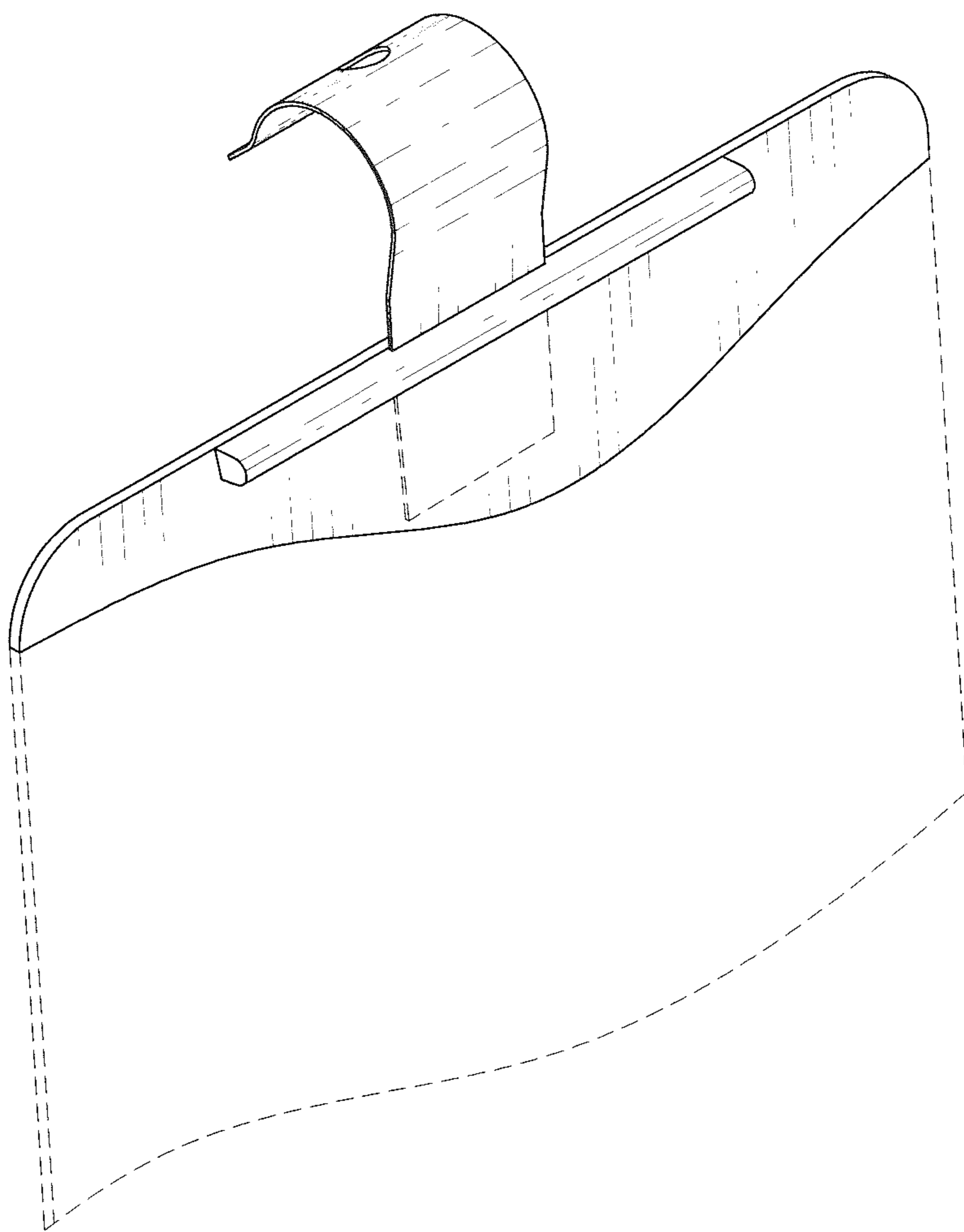


FIG. 2

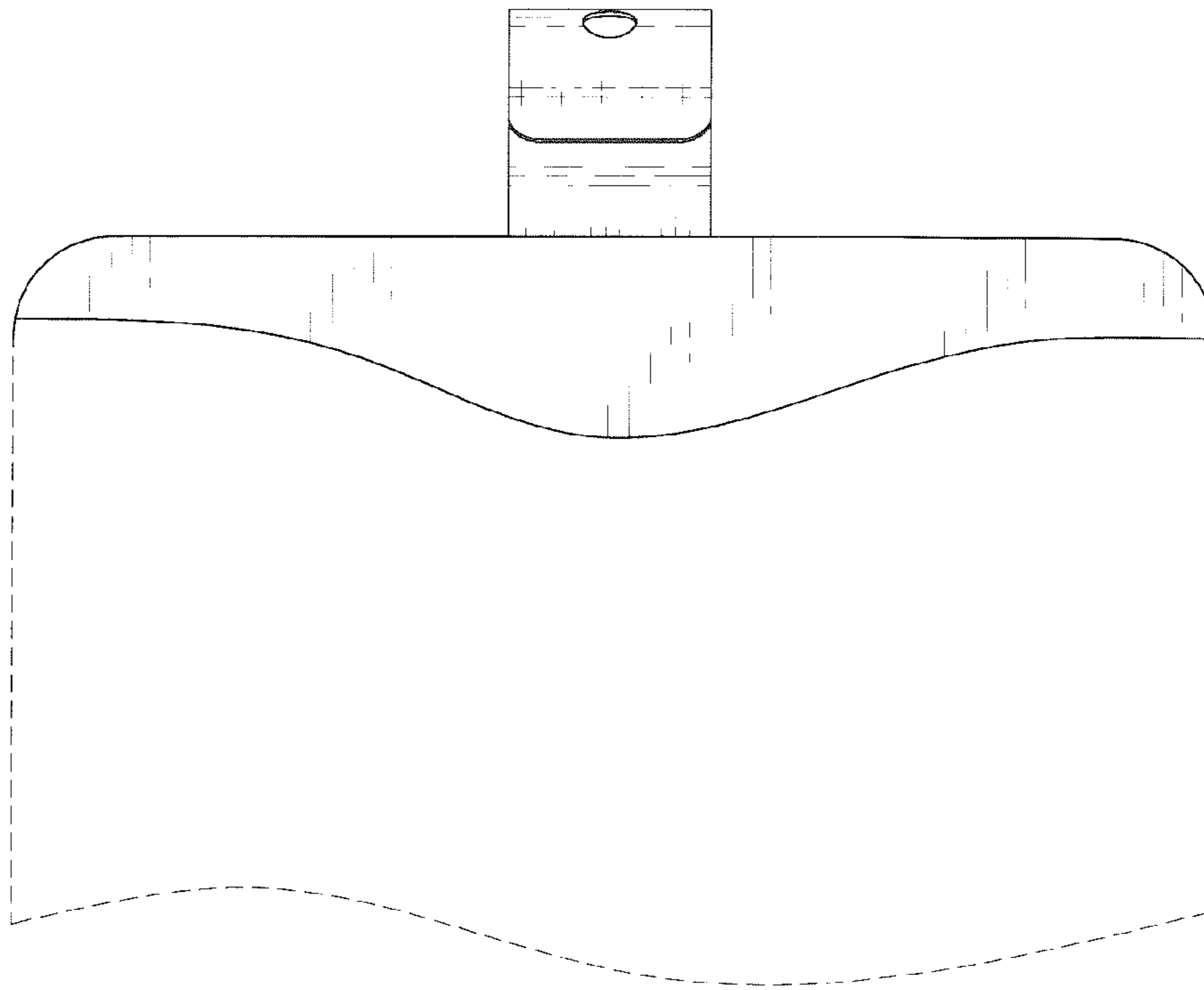


FIG. 3

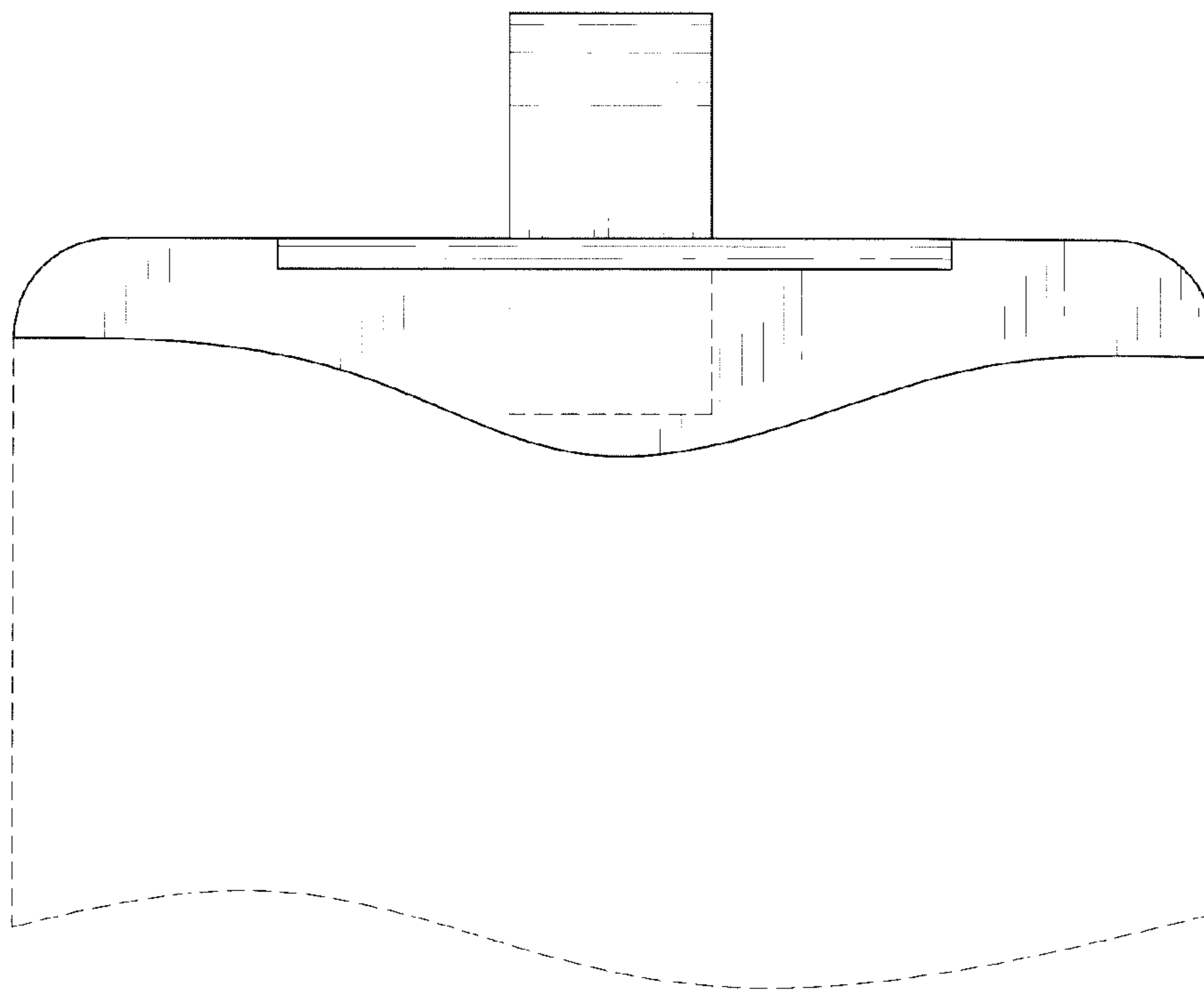


FIG. 4

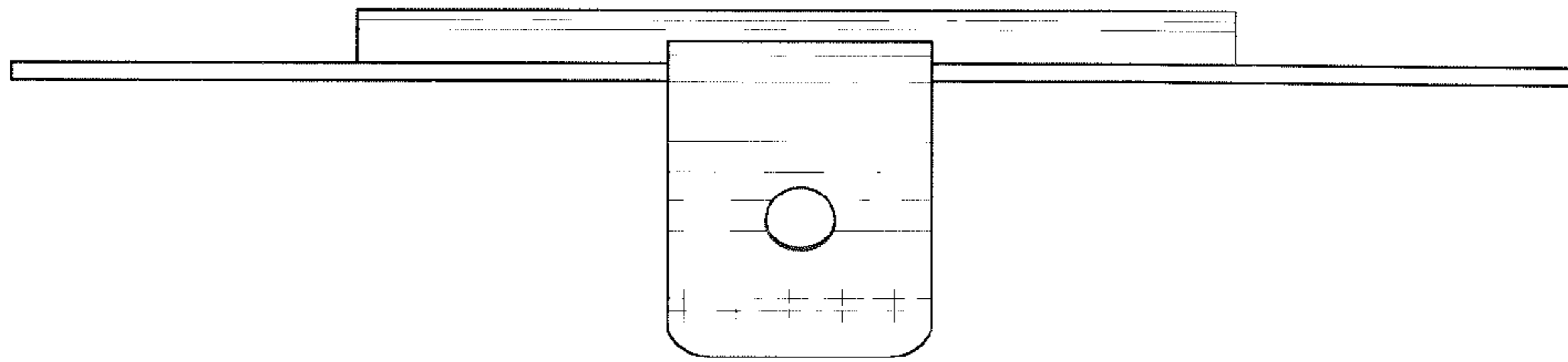


FIG. 5

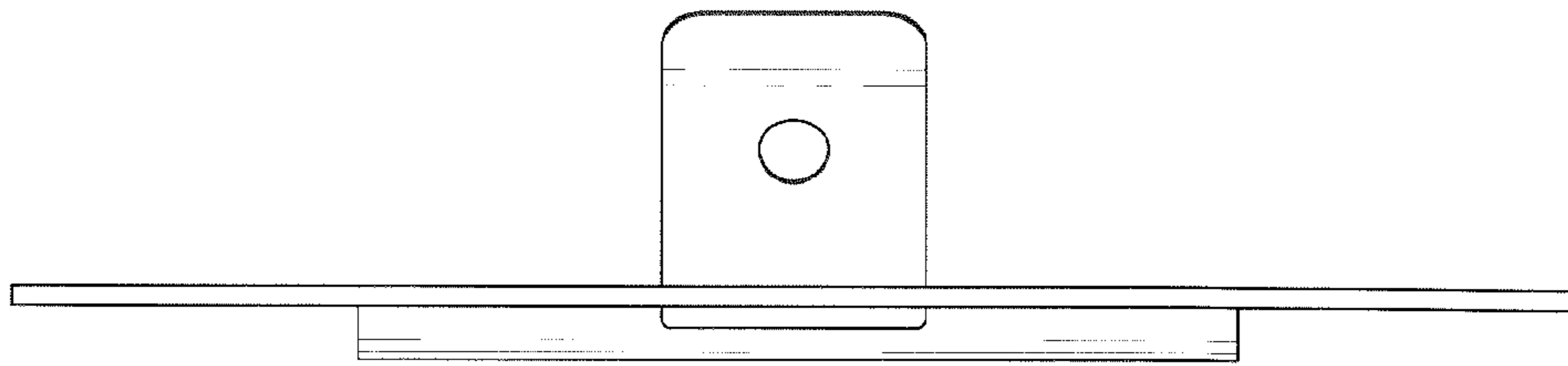


FIG. 6

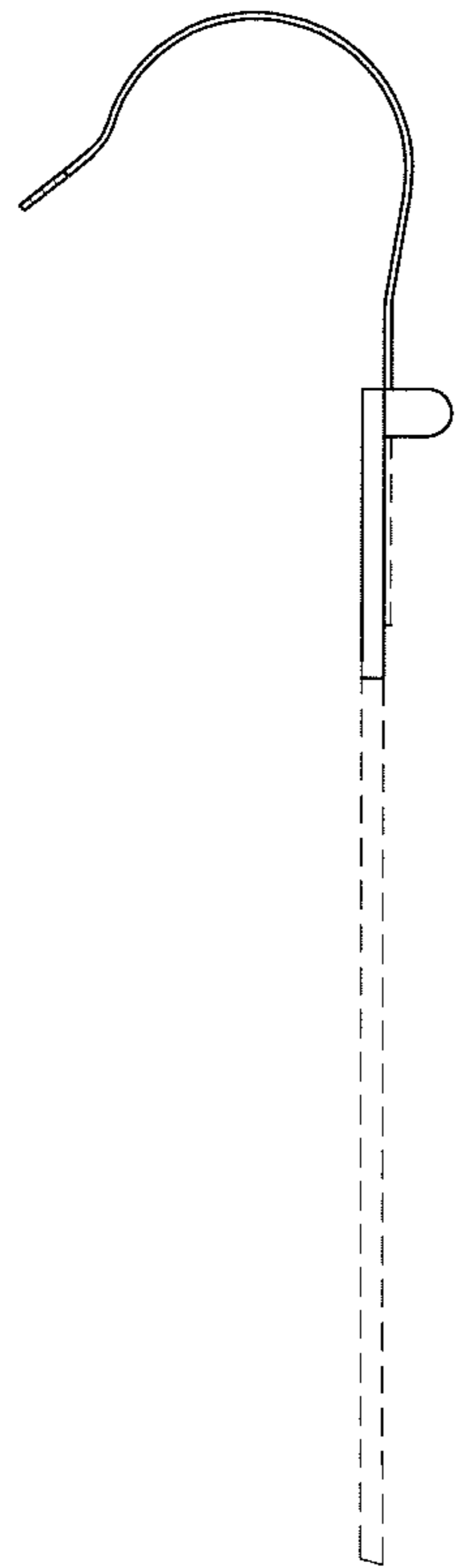


FIG. 7

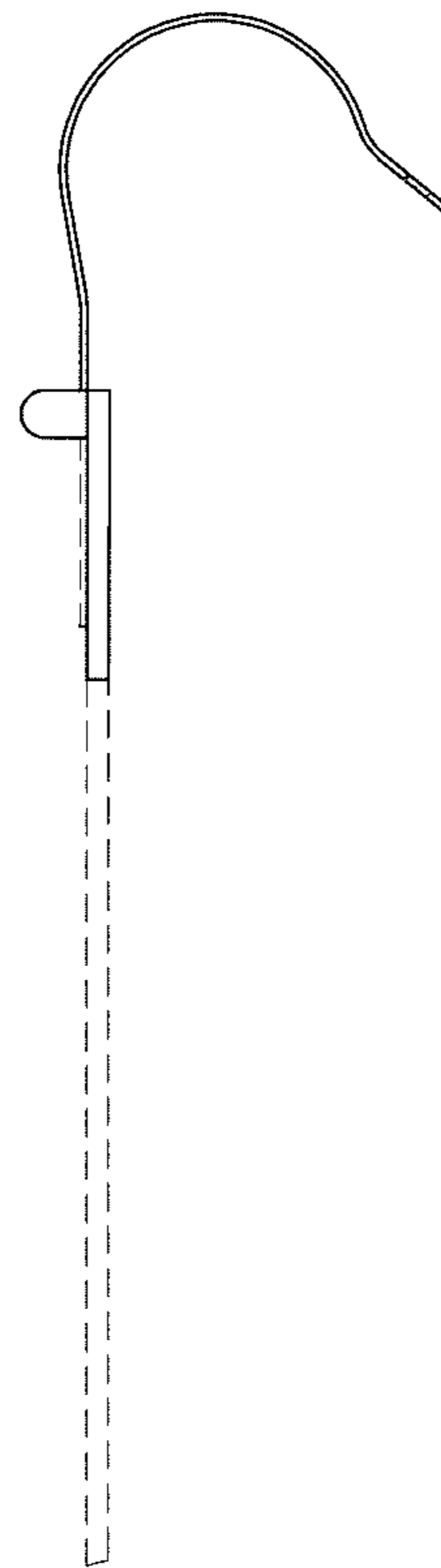


FIG. 8