



US00D718118S

(12) **United States Design Patent**
Rothbaum et al.

(10) **Patent No.:** **US D718,118 S**
(45) **Date of Patent:** **** Nov. 25, 2014**

(54) **STRAP WITH CORD ATTACHMENT MECHANISM AND HOOK AND LOOP CLOSURE FOR A CORD MANAGEMENT SYSTEM**

(71) Applicant: **CJD LLC**, New York, NY (US)

(72) Inventors: **Wayne Rothbaum**, New York, NY (US);
Allison S. Conner, Brooklyn, NY (US);
Robert B. Curtis, New York, NY (US);
Jonas K. Damon, New York, NY (US);
Daniel A. Sanchez, Brooklyn, NY (US)

(73) Assignee: **CJD LLC**, New York, NY (US)

(**) Term: **14 Years**

(21) Appl. No.: **29/465,282**

(22) Filed: **Aug. 26, 2013**

Related U.S. Application Data

(63) Continuation of application No. 29/443,387, filed on Jan. 16, 2013, now Pat. No. Des. 691,462, which is a continuation of application No. 29/401,930, filed on Sep. 16, 2011, now Pat. No. Des. 675,904.

(51) **LOC (10) Cl.** **08-05**

(52) **U.S. Cl.**
USPC **D8/356**

(58) **Field of Classification Search**
USPC D8/356, 354, 349; 220/575;
206/521.15; 439/501; 381/374; 24/302,
24/16 R, 306; D14/217, 205; 224/651
See application file for complete search history.

(56) **References Cited**

U.S. PATENT DOCUMENTS
D39,960 S 5/1909 Mussillon
(Continued)

FOREIGN PATENT DOCUMENTS
CN 201352845 Y 11/2009
(Continued)

OTHER PUBLICATIONS

Earbud Clips, www.wetjetset.com/store/item/42, printed Jun. 7, 2010, 3 pages.

(Continued)

Primary Examiner — Cynthia Underwood

(74) *Attorney, Agent, or Firm* — Morgan, Lewis & Bockius LLP

(57) **CLAIM**

The ornamental design for a strap with cord attachment mechanism and hook and loop closure for a cord management system, as shown and described.

DESCRIPTION

The present application relates to the following Patents and Applications:

to U.S. utility patent application Ser. No. 12/761,326, filed Apr. 15, 2010, (now abandoned),
to U.S. design patent application Ser. No. 29/368,746, filed Aug. 27, 2010 (now Pat. No. D636,659),
to U.S. design patent application Ser. No. 29/368,755, filed Aug. 27, 2010, (now Pat. No. D667,291),
to U.S. design application Ser. No. 29/388,372, filed Mar. 28, 2011, (now Pat. No. D645,333),
to U.S. design application Ser. No. 29/401,643, filed Sep. 13, 2011,
to U.S. design application Ser. No. 29/401,359, filed Sep. 11, 2011, and
to U.S. design application Ser. No. 29/401,360, filed Sep. 11, 2011.

FIG. 1 is a perspective view of an embodiment of our new design of a strap with a cord attachment mechanism and hook and loop closure for a cord management system.

FIG. 2 is a top view of the embodiment of FIG. 1.

FIG. 3 is a bottom view of the embodiment of FIG. 1.

FIG. 4 is a view of a first side of the embodiment of FIG. 1.

FIG. 5 is a view of a second side of the embodiment of FIG. 1.

FIG. 6 is a view of a third side of the embodiment of FIG. 1.

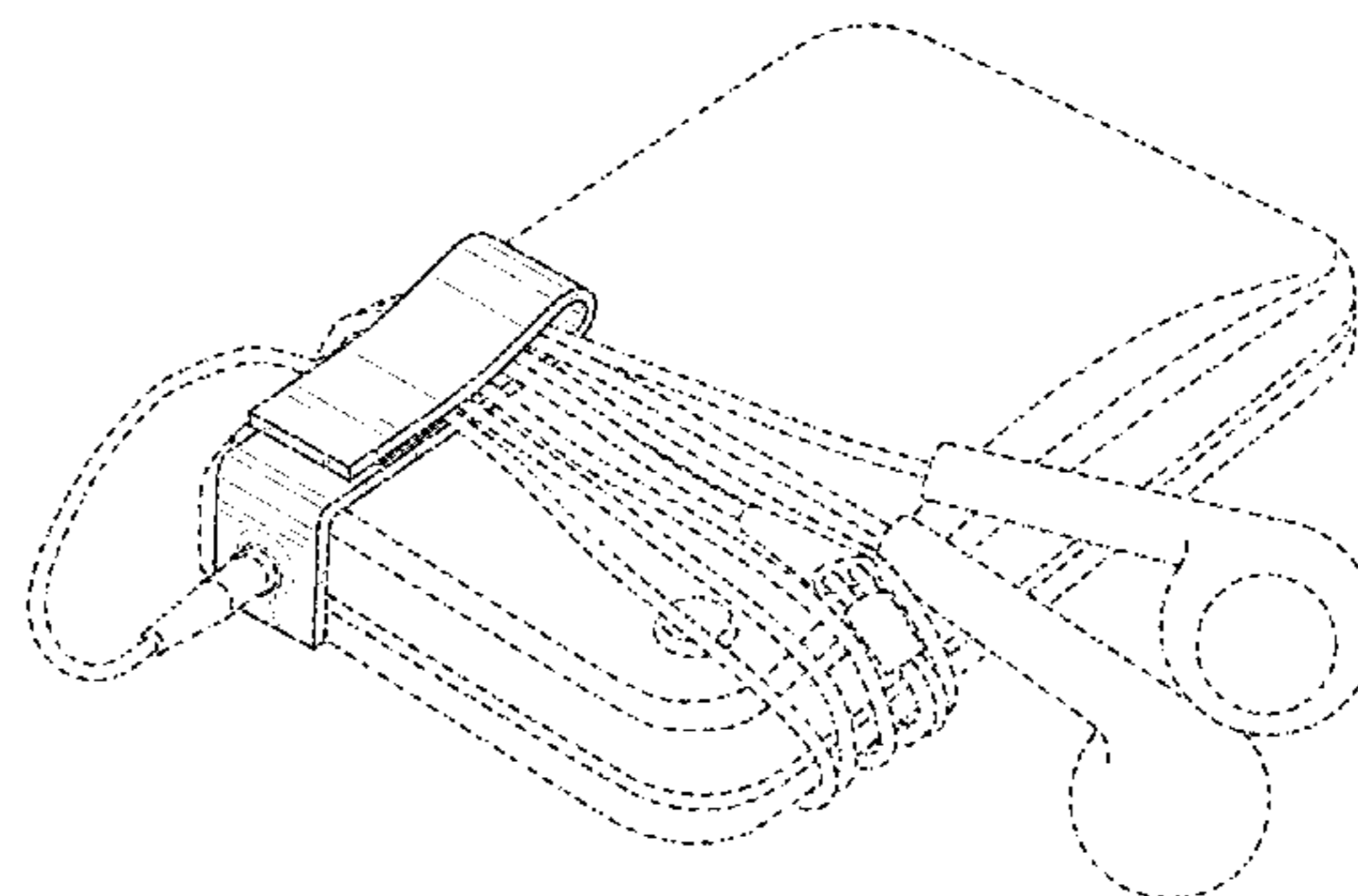
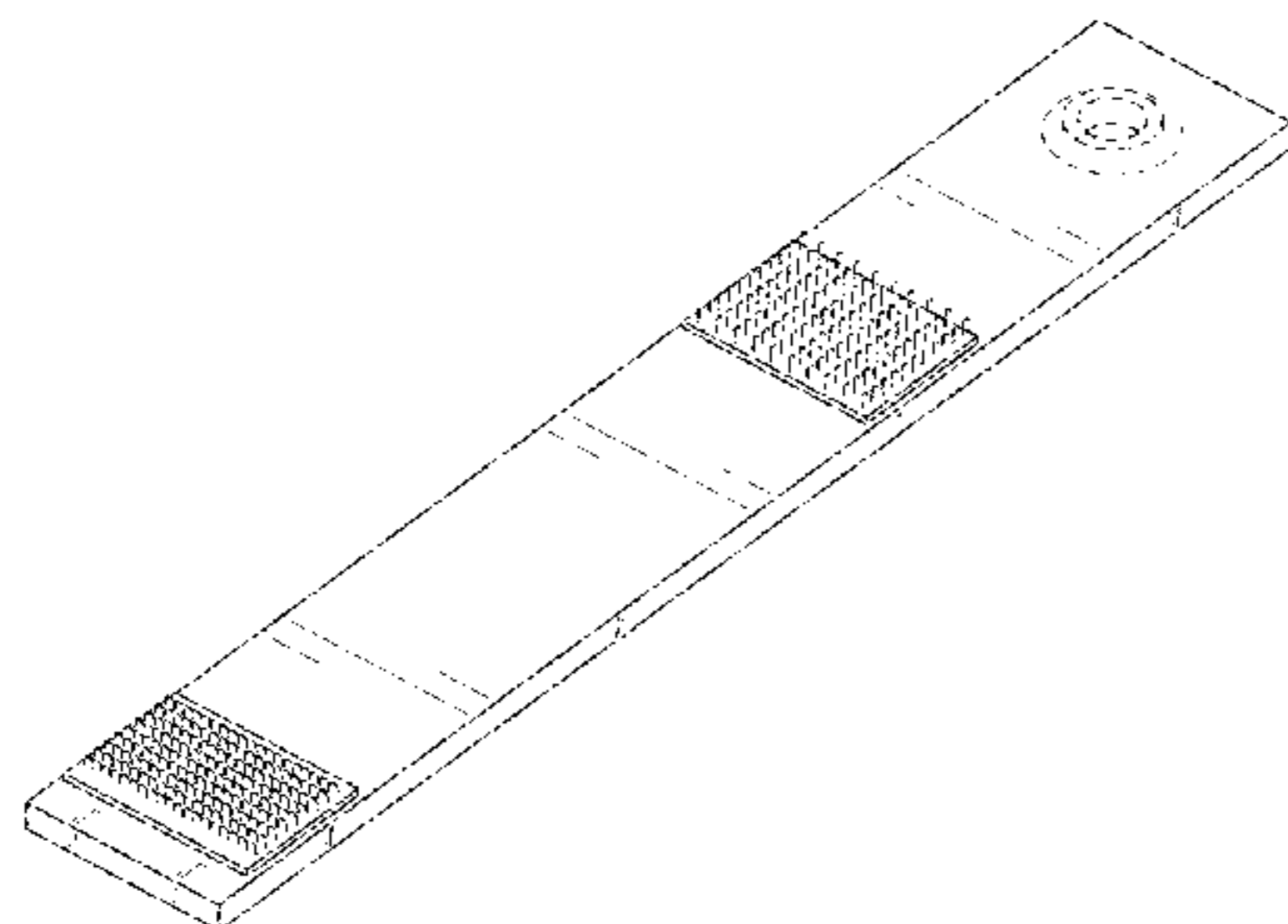
FIG. 7 is a view of a fourth side of the embodiment of FIG. 1.

FIG. 8 is another perspective view of the embodiment of FIG. 1 provided for illustrative purposes, the perspective view illustrating the embodiment when used in conjunction with an object and shown reduced in scale and in an alternate configuration of use; and,

FIG. 9 is another perspective view of the embodiment of FIG. 1 provided for illustrative purposes, the perspective view illustrating the embodiment when used in conjunction with an object and shown reduced in scale and in another alternate configuration of use.

The broken lines are included for illustrative purposes only and form no part of the claim.

1 Claim, 6 Drawing Sheets



(56)

References Cited

U.S. PATENT DOCUMENTS

1,544,386 A	6/1925	Fridolph	D454,235 S	3/2002	Kaplan
1,675,421 A	7/1928	Pettee et al.	6,405,983 B1	6/2002	Goj
1,722,498 A	7/1929	Fridolph	6,427,290 B1	8/2002	Liu
2,212,766 A	8/1940	Andelenis	D462,255 S	9/2002	Aoki
2,373,328 A	4/1945	Morehouse	D464,562 S	10/2002	Reiter
2,826,796 A	3/1958	Davis	6,467,132 B1	10/2002	Robley
2,880,008 A	3/1959	Stoner	6,473,946 B1	11/2002	Cheng
2,929,596 A	3/1960	Ewing	6,474,520 B1	11/2002	Finkelstein
2,965,939 A	12/1960	Olsson	6,490,767 B2	12/2002	Haiduk
D206,401 S	12/1966	Fisher	6,499,199 B2	12/2002	Frazier
3,529,328 A	9/1970	Davison	D471,231 S	3/2003	Mayo
D224,960 S	10/1972	Wilson	6,581,885 B2	6/2003	Polad
3,919,740 A	11/1975	Scherb	6,588,074 B2	7/2003	Galkiewicz et al.
3,994,048 A	11/1976	Rosenthal	6,671,986 B2	1/2004	Reeves
4,455,719 A	6/1984	Morita	6,701,580 B1	3/2004	Bandyopadhyay
4,480,361 A	11/1984	Morita	D488,374 S	4/2004	Hussaini et al.
4,597,206 A	7/1986	Benson	D491,046 S	6/2004	Johnson
4,736,494 A	4/1988	Marchesi	6,763,554 B1	7/2004	Torrey et al.
4,815,172 A	3/1989	Ward	D495,972 S	9/2004	Pettingill
4,920,235 A	4/1990	Yamaguchi	6,880,270 B2	4/2005	Prather
4,940,427 A	7/1990	Pearson	D505,785 S	6/2005	Woody
4,957,232 A	9/1990	Sprague	6,978,521 B2	12/2005	Morita
5,048,158 A	9/1991	Koerner	6,992,253 B1	1/2006	Spellman et al.
5,086,543 A	2/1992	Mitchell	7,025,509 B2	4/2006	Martin
5,130,899 A	7/1992	Larkin et al.	7,039,958 B2	5/2006	Henricksen
5,136,759 A	8/1992	Armour, II	7,080,430 B2 *	7/2006	Wemmer 24/578.13
5,142,743 A	9/1992	Hahn	7,096,544 B2	8/2006	Lusardi
5,142,746 A	9/1992	Morita	7,213,278 B2	5/2007	Peterson et al.
5,168,603 A	12/1992	Reed	7,222,796 B2	5/2007	Taras
5,185,499 A	2/1993	Yahraus	D543,833 S *	6/2007	Folk et al. D8/349
5,274,889 A	1/1994	Morita	D566,526 S	4/2008	Robbins, III et al.
D353,343 S	12/1994	Eberhardt	D567,630 S	4/2008	Brassard
D353,990 S	1/1995	Alfreds	D567,631 S	4/2008	Brassard
5,392,497 A	2/1995	Defner	D572,156 S	7/2008	Payne
D357,739 S	4/1995	Stewart et al.	D580,257 S *	11/2008	Squyres D8/349
5,402,971 A	4/1995	Bower	7,448,689 B2	11/2008	Carter et al.
D362,176 S	9/1995	Solbeck	7,516,591 B2	4/2009	Wolner et al.
5,473,799 A	12/1995	Aoki	7,543,359 B2	6/2009	Moughelbay et al.
5,517,838 A	5/1996	Moore	D597,514 S	8/2009	Gencarella et al.
5,518,214 A	5/1996	Spencer	D599,196 S	9/2009	Ruffin et al.
5,572,773 A	11/1996	Bauer	7,640,636 B2	1/2010	Clark
5,584,452 A	12/1996	Koike	D611,317 S *	3/2010	McGrath et al. D12/223
5,586,760 A	12/1996	Hauter	D613,137 S	4/2010	Wieberdink et al.
5,595,014 A	1/1997	Moore	7,712,696 B2	5/2010	Loh
5,604,961 A	2/1997	Cole	D617,668 S	6/2010	Lodi
D378,578 S	3/1997	Eberhardt	7,731,069 B2	6/2010	Lopreiato
D381,023 S	7/1997	Accardo	D619,883 S	7/2010	Hansort
5,647,101 A	7/1997	Morita	D619,884 S	7/2010	Hansort
D381,888 S *	8/1997	Gonda et al. D8/349	D624,378 S	9/2010	Wysopal
D384,669 S	10/1997	Collier	D625,579 S	10/2010	Lee et al.
5,682,653 A	11/1997	Berglof et al.	D631,327 S	1/2011	Maraia
D390,447 S	2/1998	Colen, Jr.	D631,328 S	1/2011	Chen
5,722,126 A	3/1998	Reiter	D636,659 S	4/2011	Rothbaum et al.
5,732,445 A	3/1998	Stodolka et al.	D639,963 S	6/2011	Kase
5,732,451 A	3/1998	Mars	8,002,159 B2	8/2011	Cragg
5,745,958 A	5/1998	Kaldor	D645,333 S	9/2011	Rothbaum et al.
5,802,676 A	9/1998	Tolan	8,103,352 B2	1/2012	Fried et al.
5,806,346 A	9/1998	Schlinger et al.	D654,052 S	2/2012	Lee et al.
D400,429 S	11/1998	Morita	D660,740 S	5/2012	Cullen et al.
D401,137 S	11/1998	Boelling	D662,087 S	6/2012	Peller
5,845,374 A	12/1998	Briggs	8,203,077 B2	6/2012	Honeycutt et al.
D405,352 S	2/1999	Rosenbauer	D664,831 S	8/2012	Scherer
5,933,926 A	8/1999	Reiter	D666,076 S	8/2012	Muratore et al.
5,974,634 A	11/1999	Eisenpresser	D666,896 S	9/2012	Pinholster, Jr. et al.
5,983,464 A	11/1999	Bauer	D667,043 S *	9/2012	Couch, III D16/237
6,006,455 A	12/1999	Miller	8,261,416 B2	9/2012	Rothbaum et al.
6,010,105 A	1/2000	Davis	D675,123 S	1/2013	Nunez
6,044,525 A	4/2000	Sastre et al.	D676,425 S	2/2013	Nishimura et al.
6,085,393 A	7/2000	Tsui et al.	D676,733 S	2/2013	Zach et al.
6,087,594 A	7/2000	Chou	8,366,058 B2	2/2013	Tiedemann, Sr.
6,131,200 A	10/2000	McNamara	D677,652 S	3/2013	Gifford
6,170,088 B1	1/2001	Tate	8,413,306 B2	4/2013	Gallant et al.
6,279,804 B1 *	8/2001	Gregg 224/675	8,453,899 B1 *	6/2013	Calkin 224/675
6,301,754 B1	10/2001	Grunberger et al.	8,590,823 B2	11/2013	Rothbaum et al.
6,344,021 B1	2/2002	Juster et al.	2001/0035242 A1	11/2001	Hughs et al.
			2002/0033271 A1	3/2002	Fritschle et al.
			2002/0073516 A1	6/2002	Behar
			2002/0112323 A1	8/2002	Nire
			2002/0139823 A1 *	10/2002	Johnson 224/250

2003/0167605	A1 *	9/2003	Schultz	24/306
2005/0016760	A1	1/2005	Vasichek	
2005/0025329	A1	2/2005	Lee	
2005/0255898	A1	11/2005	Huang	
2006/0008106	A1	1/2006	Harper	
2006/0121962	A1	6/2006	Kohli	
2006/0178041	A1	8/2006	Lund et al.	
2006/0186150	A1	8/2006	Willows et al.	
2006/0206986	A1 *	9/2006	Straiton	2/238
2007/0086617	A1	4/2007	Loh	
2007/0152008	A1	7/2007	Case	
2008/0041897	A1	2/2008	Malhotra	
2008/0083096	A1	4/2008	Wilkinson	
2008/0149679	A1	6/2008	Case et al.	
2008/0164157	A1	7/2008	Sween et al.	
2009/0013504	A1	1/2009	Crespo	
2009/0016559	A1	1/2009	Cleary	
2009/0314515	A1	12/2009	Bevirt et al.	

FOREIGN PATENT DOCUMENTS

GB	2420552	A	5/2006
JP	63-125493	U	8/1988
JP	11-317995	A	11/1999
JP	2001-169381	A	6/2001
JP	2003-230418	A	8/2003
JP	2003-319484	A	11/2003
JP	2006-081130	A	3/2006
JP	2006-222712	A	8/2006
JP	2009-212918	A	9/2009
KR	20-0301311		1/2003
WO	WO 2004/71056	A1	8/2004

OTHER PUBLICATIONS

Rothbaum, Notice of Allowance, U.S. Appl. No. 29/368,746, Dec. 29, 2010, 8 pgs.
 Rothbaum, Notice of Allowance, U.S. Appl. No. 29/368,755, May 15, 2012, 8 pgs.
 Rothbaum, Notice of Allowance, U.S. Appl. No. 29/388,372, Jul. 14, 2011, 5 pgs.
 Rothbaum, Notice of Allowance, U.S. Appl. No. 29/401,359, Nov. 15, 2012, 7 pgs.

Rothbaum, Notice of Allowance, U.S. Appl. No. 29/401,359, Mar. 22, 2013, 12 pgs.
 Rothbaum, Notice of Allowance, U.S. Appl. No. 29/401,360, Sep. 28, 2012, 5 pgs.
 Rothbaum, Notice of Allowance, U.S. Appl. No. 29/401,643, Sep. 18, 2012, 8 pgs.
 Rothbaum, Notice of Allowance, U.S. Appl. No. 29/401,930, Nov. 23, 2012, 7 pgs.
 Rothbaum, Notice of Allowance, U.S. Appl. No. 29/428,997, Feb. 27, 2013, 7 pgs.
 Rothbaum, Notice of Allowance, U.S. Appl. No. 29/443,386, Aug. 6, 2013, 6 pgs.
 Rothbaum, Notice of Allowance, U.S. Appl. No. 29/443,386, Nov. 14, 2013, 9 pgs.
 Rothbaum, Notice of Allowance, U.S. Appl. No. 29/443,387, May 24, 2013, 8 pgs.
 Rothbaum, Notice of Allowance, U.S. Appl. No. 29/443,389, Aug. 6, 2013, 6 pgs.
 Rothbaum, Notice of Allowance, U.S. Appl. No. 29/444,911, Sep. 25, 2013, 8 pgs.
 Rothbaum, Notice of Allowance, U.S. Appl. No. 29/458,903, Nov. 4, 2013, 8 pgs.
 Rothbaum, Office Action, U.S. Appl. No. 29/368,754, Jul. 19, 2011, 5 pgs.
 Use Magnetic Paper Clips to Keep Cords from Tangling, www.geeksugar.com/Use-Magnetic-Paper-Clips-Keep-Cords-From-Tangling, printed Jun. 7, 2010, 5 pages.
 Rothbaum, Notice of Allowance, U.S. Appl. No. 29/443,389, Nov. 14, 2013, 8 pgs.
 Rothbaum, Notice of Allowance, U.S. Appl. No. 29/444,911, Jan. 15, 2014, 6 pgs.
 CJD LLC, ISR/WO, PCT/US2010/031087, Apr. 29, 2011, 23 pgs.
 Headphone Cable Tidy—Pack of 3—Accessories for PDA, Smartphone . . . , www.proporta.com/F02/PPFO2P05.php?t_id=4452&t_mode=des . . . printed Jun. 7, 2010, 1 page.
 Quogue Capital LLC, ISR/WO, PCT/US2009/067927, Jul. 14, 2010, 8 pgs.
 Rothbaum, ISR/WO, PCT/US2010/053244, Jun. 24, 2011, 22 pgs.
 Sumajin SmartWrap Earphone Cord Manager, www.ilounge.com/index.php/reviews/entry/sumajin-smartwrap . . . , printed Jun. 7, 2010, 3 pages.

* cited by examiner

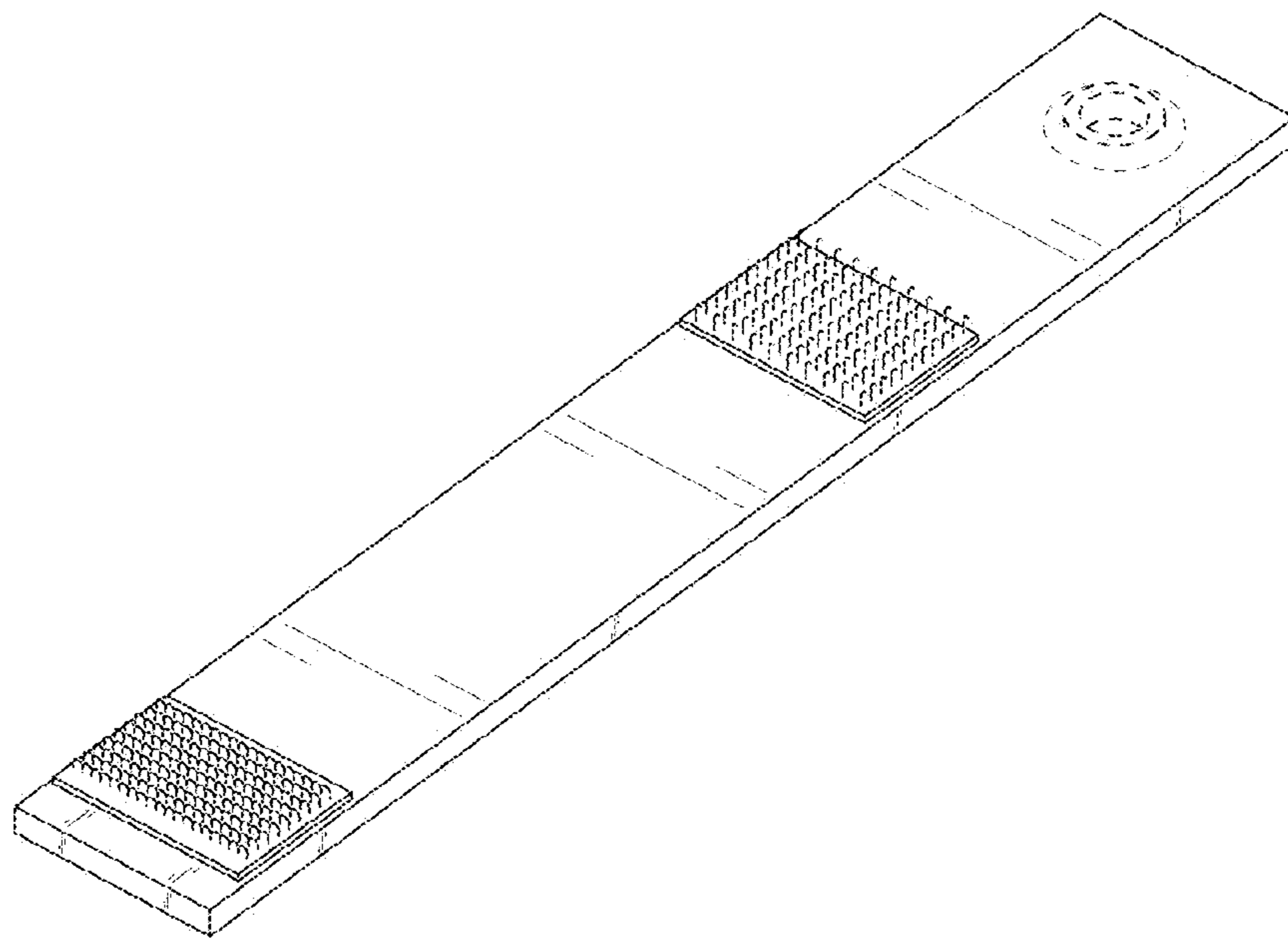


FIG. 1

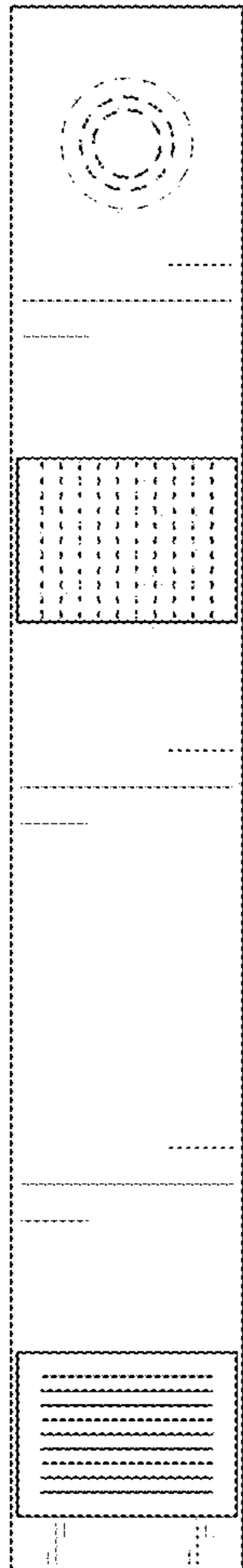


FIG. 2

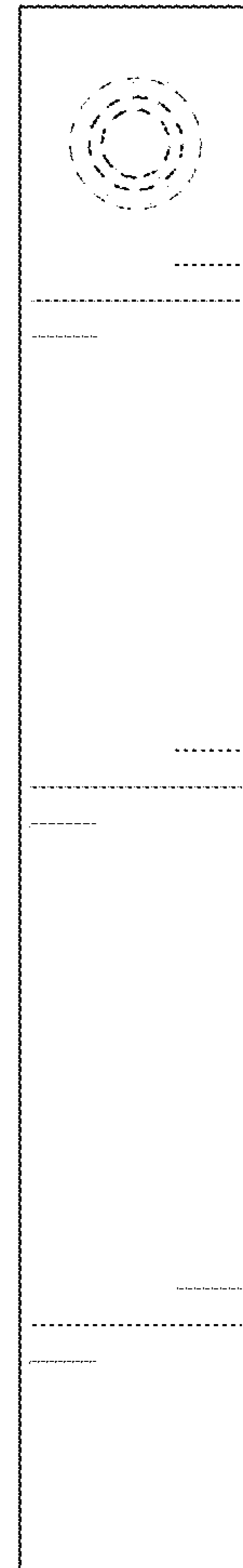


FIG. 3

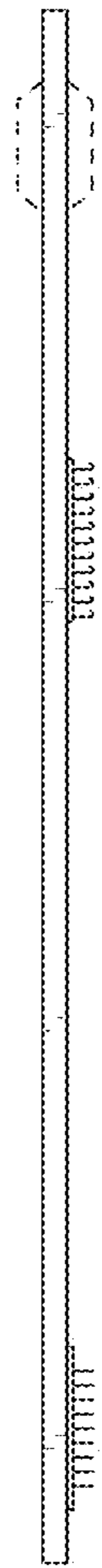


FIG. 4

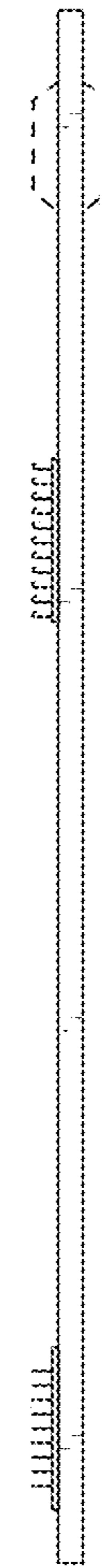


FIG. 5



FIG. 6

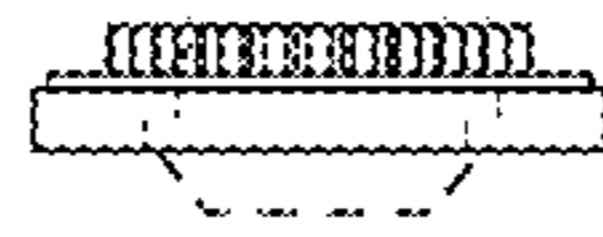


FIG. 7

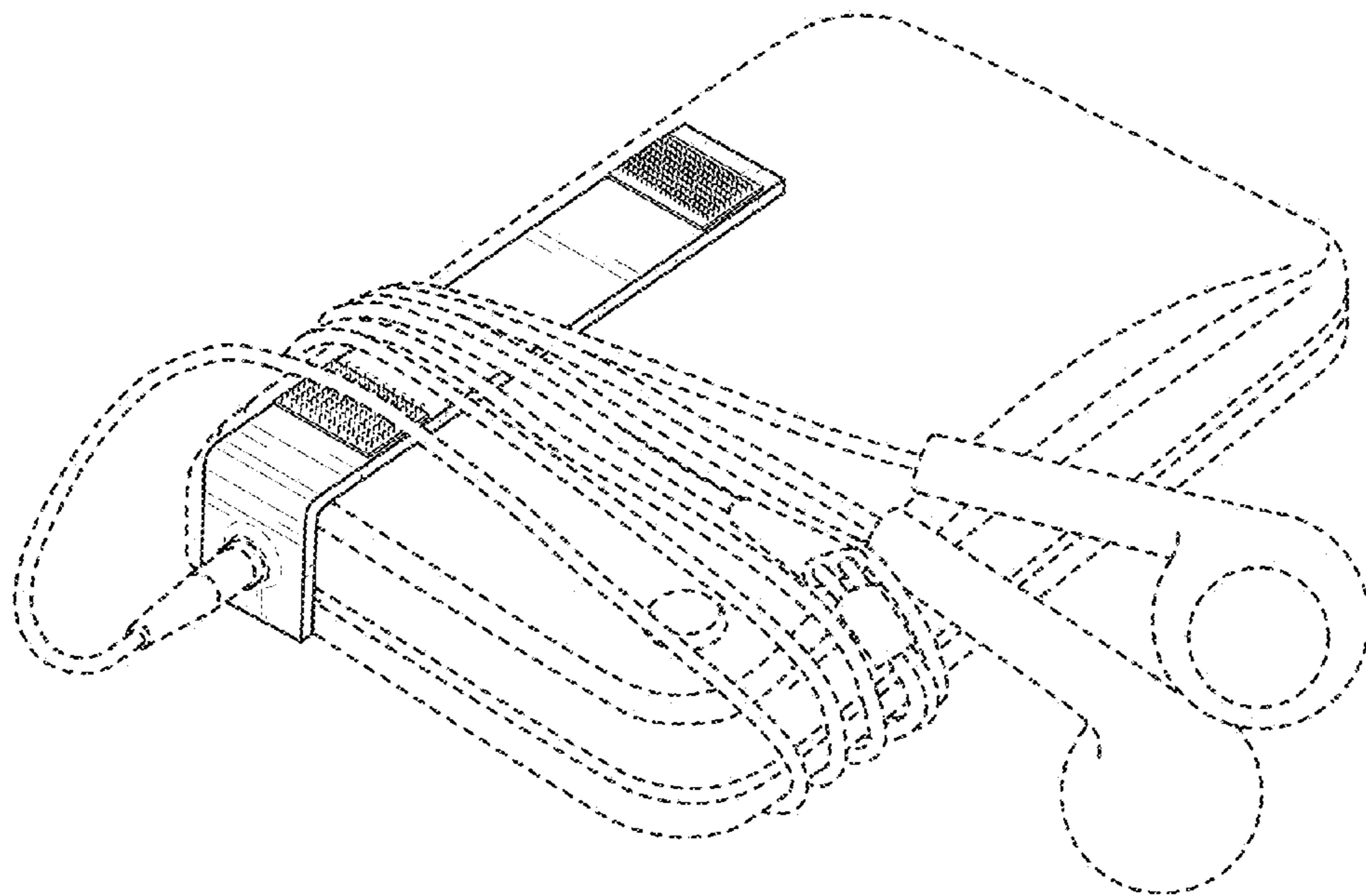


FIG. 8

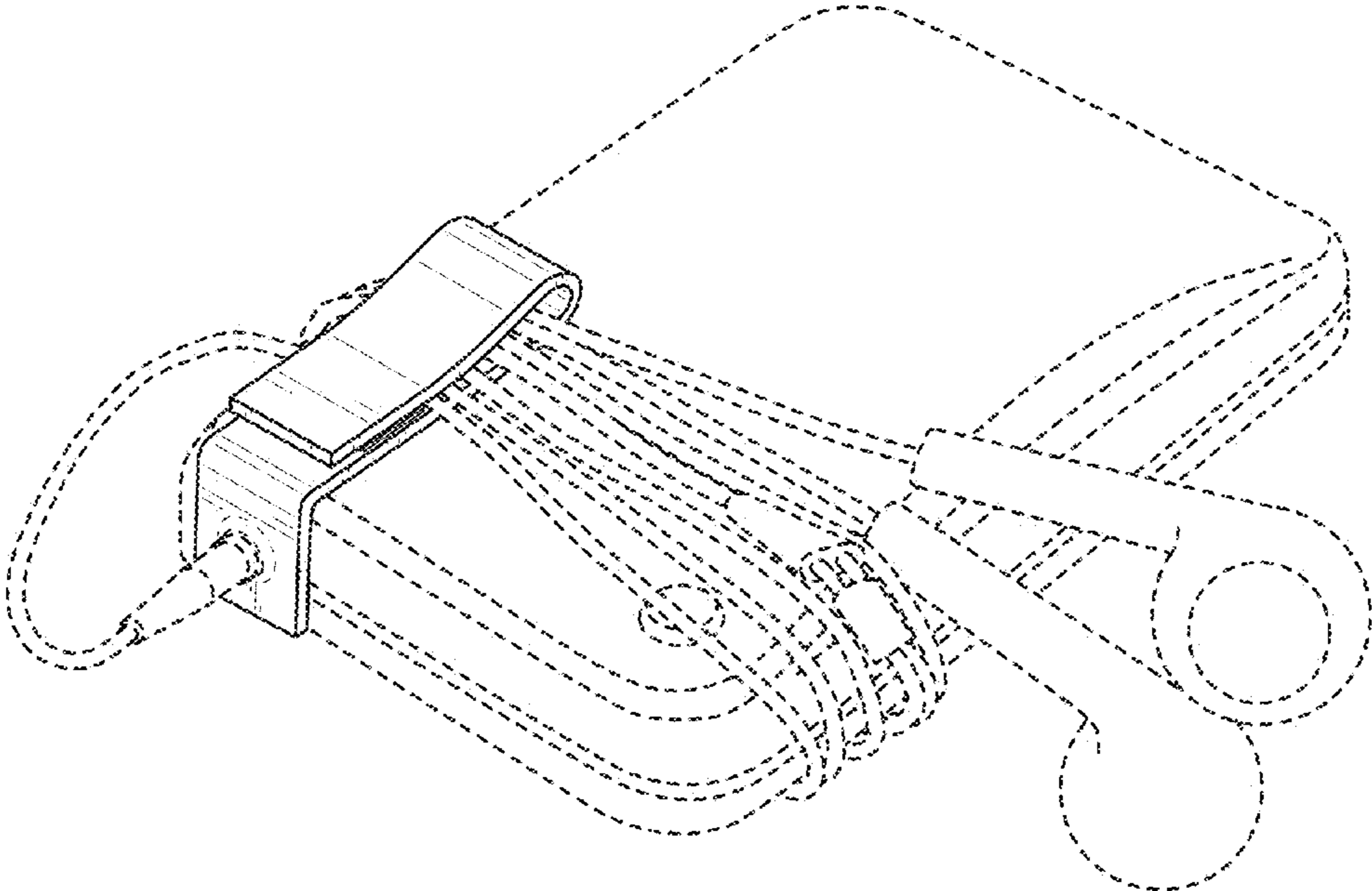


FIG. 9