



US00D718114S

(12) **United States Design Patent**
Elbl

(10) **Patent No.:** **US D718,114 S**

(45) **Date of Patent:** **** Nov. 25, 2014**

(54) **HANDLE HAVING TRAPEZOIDAL BRACKETS**

(71) Applicant: **Kipp Verpachtungen e.K.**, Sulz (DE)

(72) Inventor: **Guenter Elbl**, Schorndorf (DE)

(73) Assignee: **Kipp Verpachtungen e.K.**, Sulz (DE)

(**) Term: **14 Years**

(21) Appl. No.: **29/469,185**

(22) Filed: **Oct. 8, 2013**

(30) **Foreign Application Priority Data**

Apr. 16, 2013 (EM) 002221267

(51) **LOC (10) Cl.** **08-06**

(52) **U.S. Cl.**

USPC **D8/315**; D6/550

(58) **Field of Classification Search**

USPC D8/315–321, 349, 354, 363, 380;
D6/546–550, 518, 522–524; 211/13.1,
211/16, 60.1, 86.01, 87.01, 88.04, 100,
211/105.1–105.2, 123, 181.1, 182;
242/570, 590, 595–598; 206/389;
248/175, 176.1, 251, 302; 16/110.1,
16/412, 415

See application file for complete search history.

(56) **References Cited**

U.S. PATENT DOCUMENTS

D131,506 S * 3/1942 Dreyfuss D6/549
D307,883 S * 5/1990 Carr D12/414
D309,126 S * 7/1990 Carr D12/414
D320,151 S * 9/1991 Reid et al. D8/363
D335,231 S * 5/1993 Bengtson D6/524
D370,617 S * 6/1996 Decursu et al. D8/316
D399,406 S * 10/1998 Decursu et al. D8/317
D448,593 S * 10/2001 Harvey D6/550
D449,215 S * 10/2001 Bertani D8/316

D451,739 S * 12/2001 Yeh D6/550
D452,102 S * 12/2001 Yeh D6/550
D465,116 S * 11/2002 Chen D6/550
D477,482 S * 7/2003 Green D6/524
D481,235 S * 10/2003 Gilbert D6/524
D495,236 S * 8/2004 Gurzenda D8/343
D501,107 S * 1/2005 Gilbert D6/524
D517,180 S * 3/2006 Chan D23/304
D522,844 S * 6/2006 Harwanko D8/376
D522,845 S * 6/2006 Suero D8/376
D529,744 S * 10/2006 Murray D6/550
D530,958 S * 10/2006 Gilbert D6/550
D533,385 S * 12/2006 Murray D6/550
D534,255 S * 12/2006 Chan D23/304
D542,090 S * 5/2007 Kim et al. D7/402
D547,165 S * 7/2007 Barrese D8/380
D559,664 S * 1/2008 Austin et al. D8/381
D563,198 S * 3/2008 Ricereto D8/316
D572,109 S * 7/2008 Busalt et al. D8/316
D572,571 S * 7/2008 Terada et al. D8/354
D574,218 S * 8/2008 Jou D8/317

(Continued)

Primary Examiner — Mark Goodwin

(74) *Attorney, Agent, or Firm* — Butzel Long

(57)

CLAIM

The ornamental design for a handle having trapezoidal brackets, as shown and described.

DESCRIPTION

FIG. 1 is a perspective view of the handle having trapezoidal brackets showing my new design;

FIG. 2 is a side view thereof, the opposite side view being identical thereof;

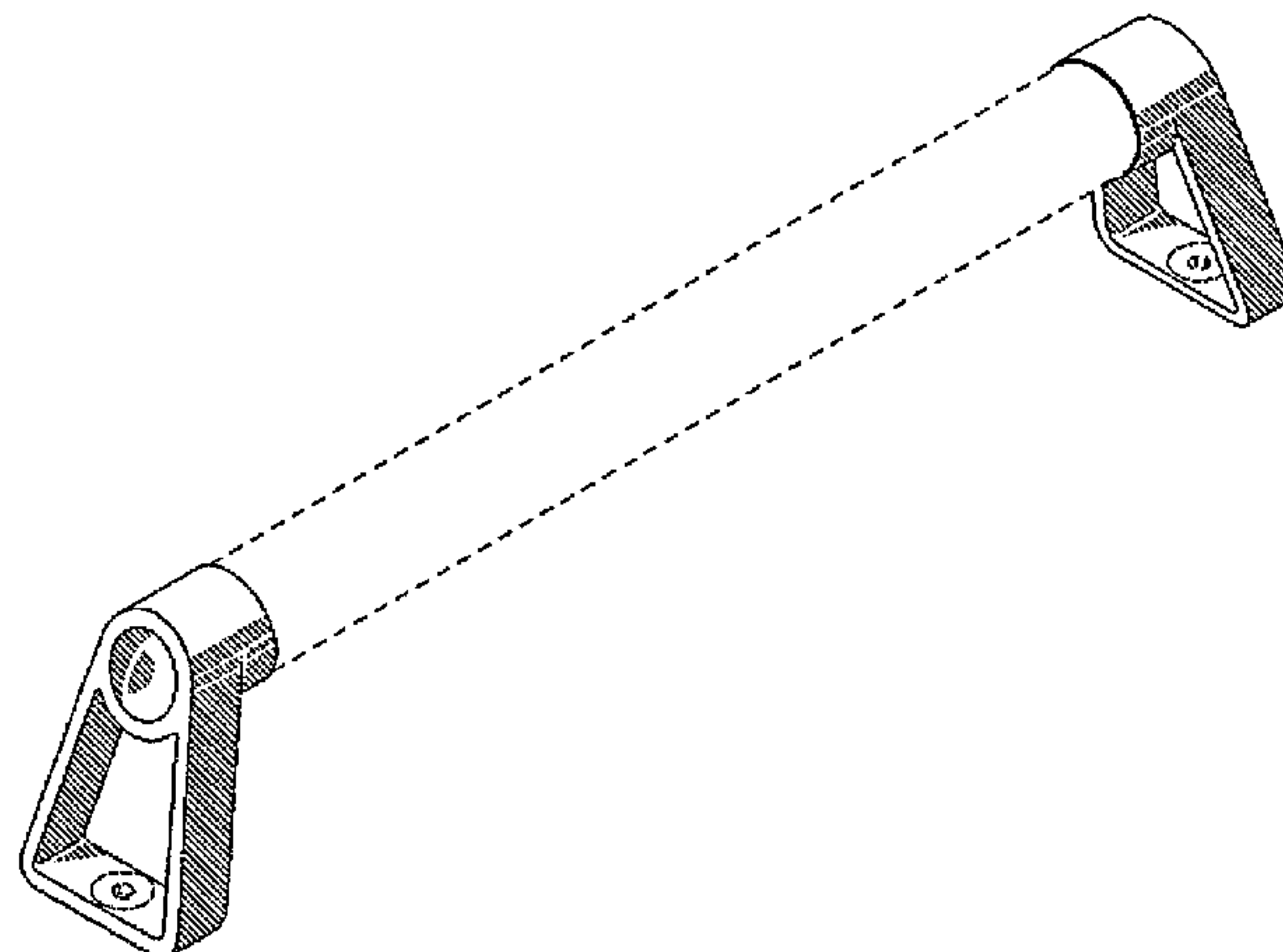
FIG. 3 is a top view thereof;

FIG. 4 is a bottom view thereof; and,

FIG. 5 is an end view thereof, the opposite end view being identical thereof.

The broken line showing of the central bar and holes is included for the purpose of illustrating portions of the handle having trapezoidal brackets and forms no part of the claimed design.

1 Claim, 1 Drawing Sheet



US D718,114 S

Page 2

(56)

References Cited

U.S. PATENT DOCUMENTS

D587,982 S * 3/2009 Mattson et al. D8/317
D588,897 S * 3/2009 Ricereto D8/317
D598,270 S * 8/2009 Hanes D8/317

D609,040 S * 2/2010 Koury D6/550
D611,797 S * 3/2010 Koskela D8/316
D664,022 S * 7/2012 Gilbert D8/316
D680,414 S * 4/2013 Han D8/317
D691,031 S * 10/2013 Harwanko D8/376

* cited by examiner

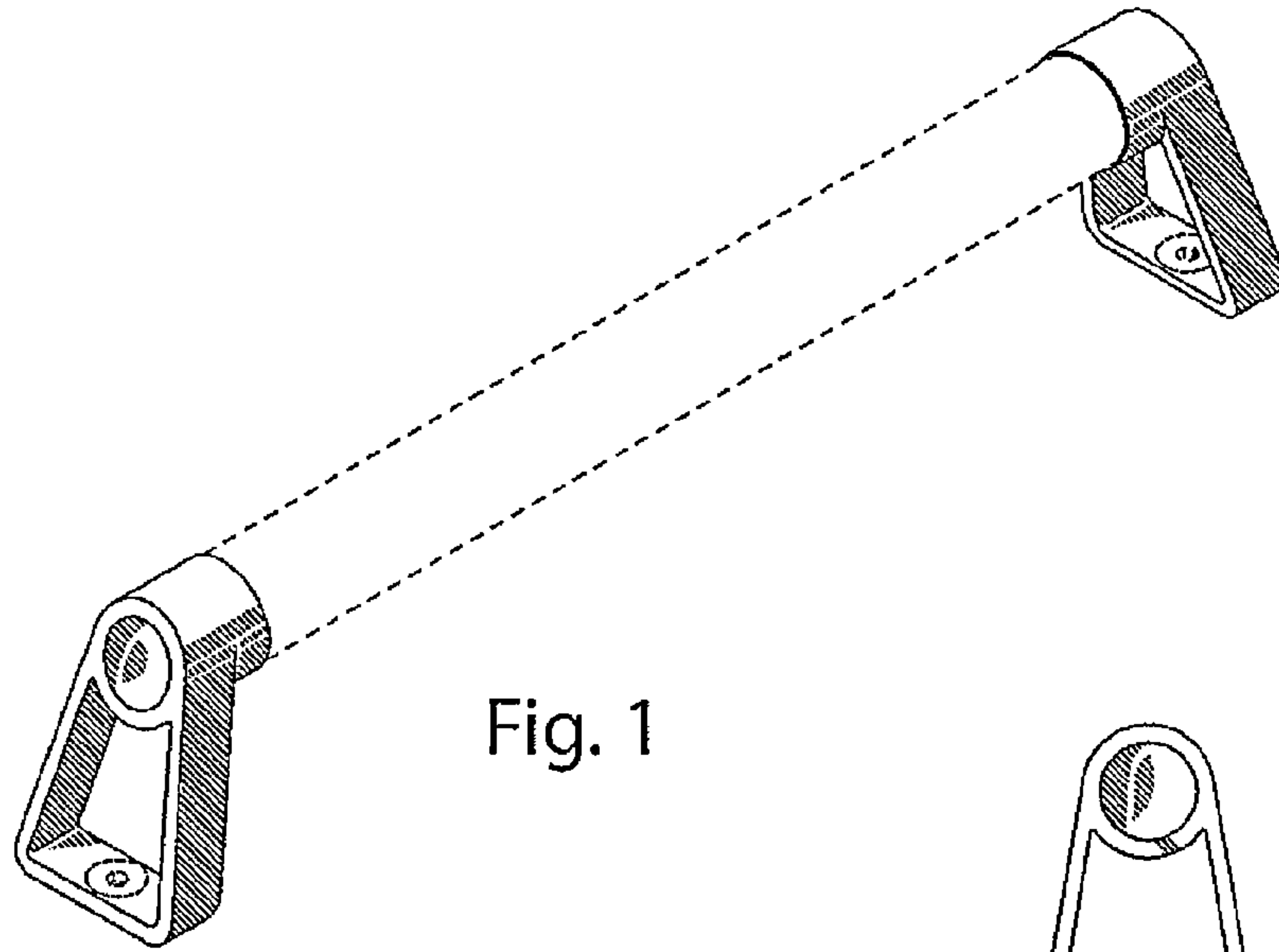


Fig. 1

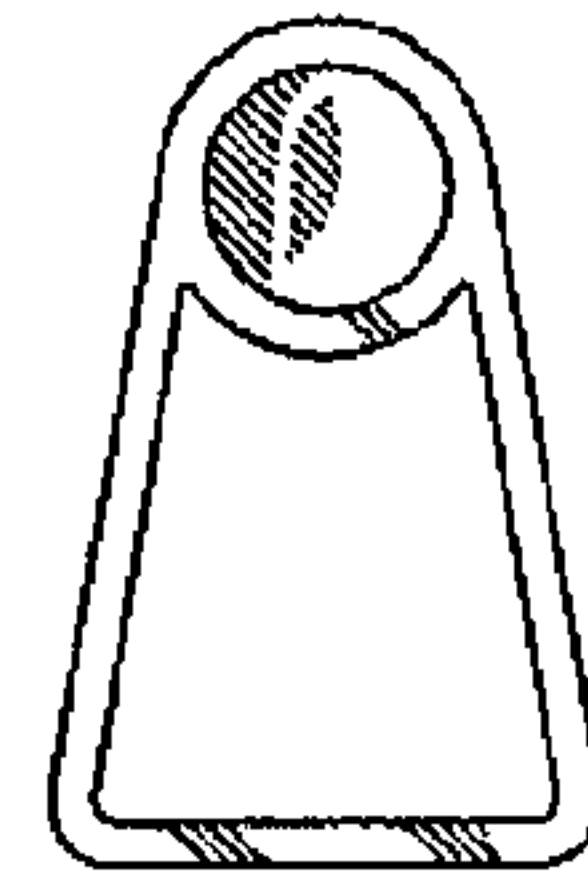


Fig. 5

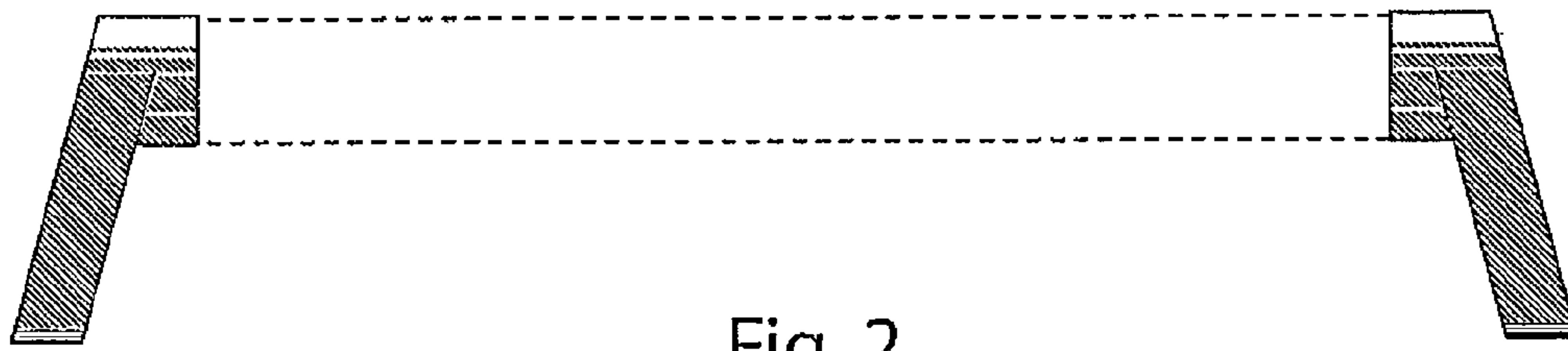


Fig. 2

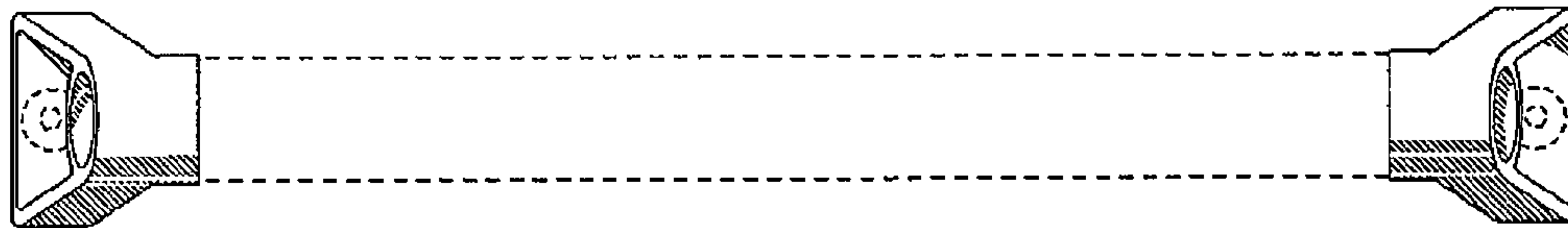


Fig. 3

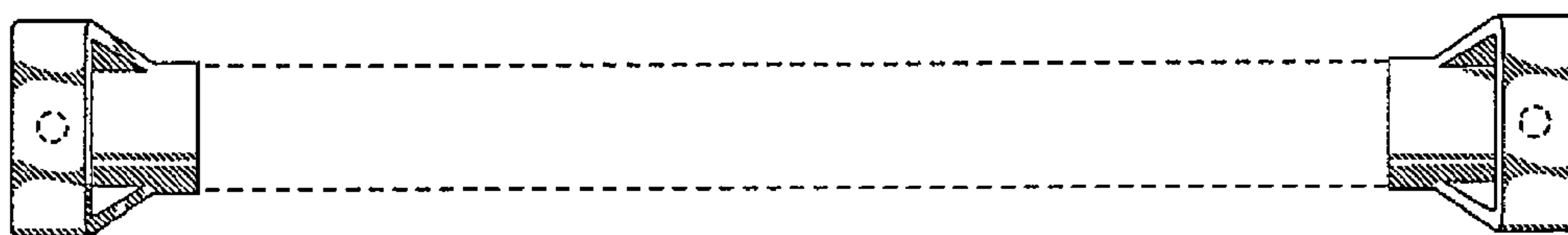


Fig. 4