



US00D718113S

(12) **United States Design Patent**
Di Nicola Ciaranca

(10) **Patent No.:** **US D718,113 S**
(45) **Date of Patent:** **** Nov. 25, 2014**

(54) **PART OF A DISPENSER**

(71) Applicant: **Emsar S.p.A.**, San Giovanni Teatino
(CH) (IT)
(72) Inventor: **Corrado Di Nicola Ciaranca**, Pescara
(IT)
(73) Assignee: **Aptar Italia S.p.A.**, San Giovanni
Teatino (CH) (IT)

(**) Term: **14 Years**

(21) Appl. No.: **29/448,461**

(22) Filed: **Mar. 12, 2013**

(30) **Foreign Application Priority Data**

Oct. 30, 2012 (EM) 002127266-0001

(51) **LOC (10) Cl.** **08-06**

(52) **U.S. Cl.**
USPC **D8/310**

(58) **Field of Classification Search**
USPC D8/300–302, 305, 310, 312–321,
D8/DIG. 1; D6/633; D7/393; D3/291, 318;
D23/250–254; 292/347, 336.3;
16/101.1, 412, 414–420, 443–446,
16/441, 110 R, 111 R, DIG. 19, DIG. 20

See application file for complete search history.

(56) **References Cited**

U.S. PATENT DOCUMENTS

D206,373	S	*	12/1966	James et al.	D8/310
D365,009	S	*	12/1995	Lenberg	D8/307
D401,834	S	*	12/1998	Burns et al.	D8/310
D569,220	S	*	5/2008	McConnell	D8/310
D580,252	S	*	11/2008	Hoernig	D8/310
D656,810	S	*	4/2012	Kwok et al.	D8/307
D679,982	S	*	4/2013	Ramslund et al.	D8/307

* cited by examiner

Primary Examiner — Brian N Vinson

(74) *Attorney, Agent, or Firm* — Young & Thompson

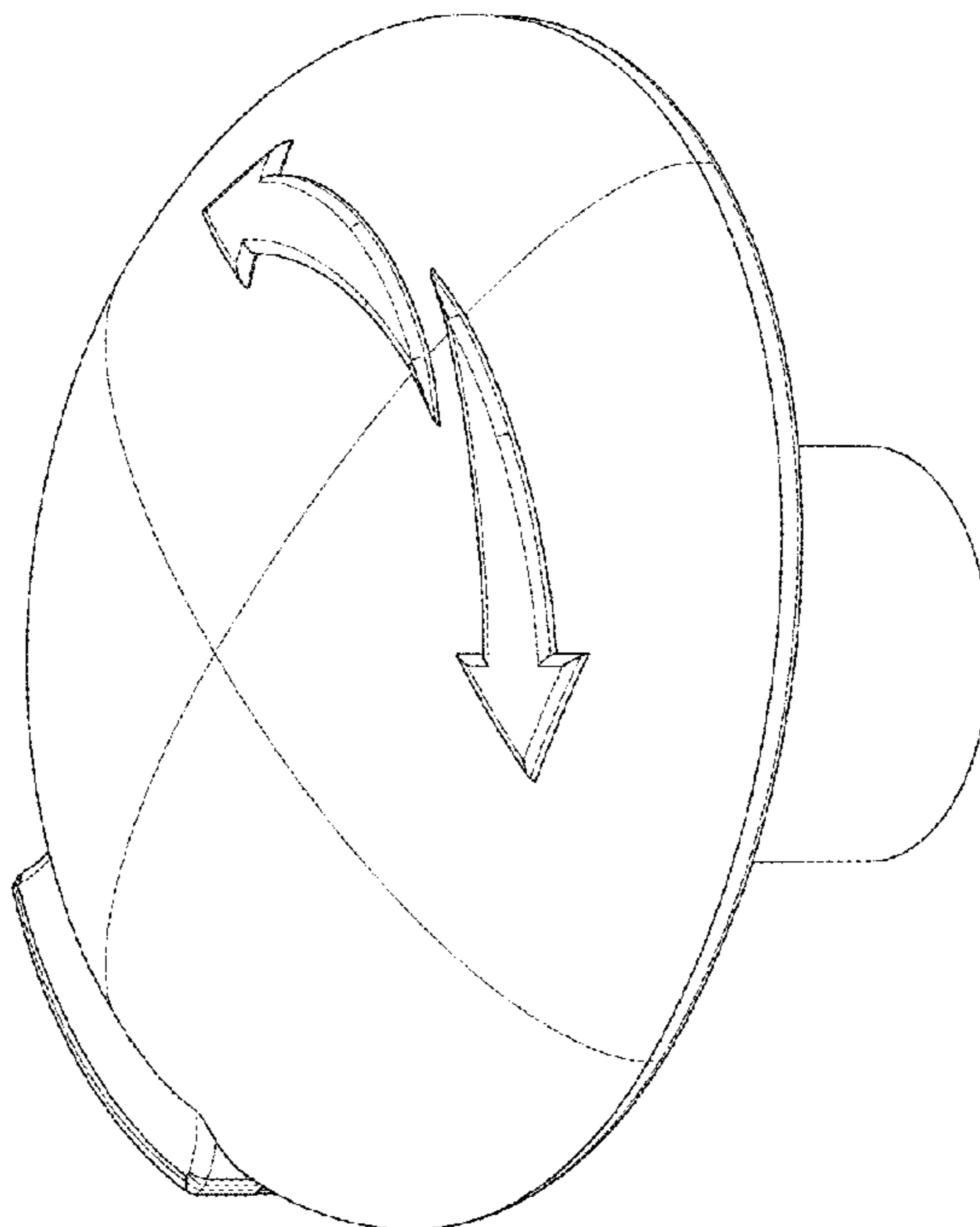
(57) **CLAIM**

The ornamental design for a part of a dispenser, as shown and described.

DESCRIPTION

FIG. 1 is a front, top perspective view of a part of a dispenser with lid closed showing my new design;
FIG. 2 is a top elevation view thereof;
FIG. 3 is a side elevation view thereof;
FIG. 4 is a front, top perspective view of an alternate configuration of the part of a dispenser wherein the lid is open;
FIG. 5 is front elevation view thereof; and,
FIG. 6 is a side elevation view thereof.

1 Claim, 6 Drawing Sheets



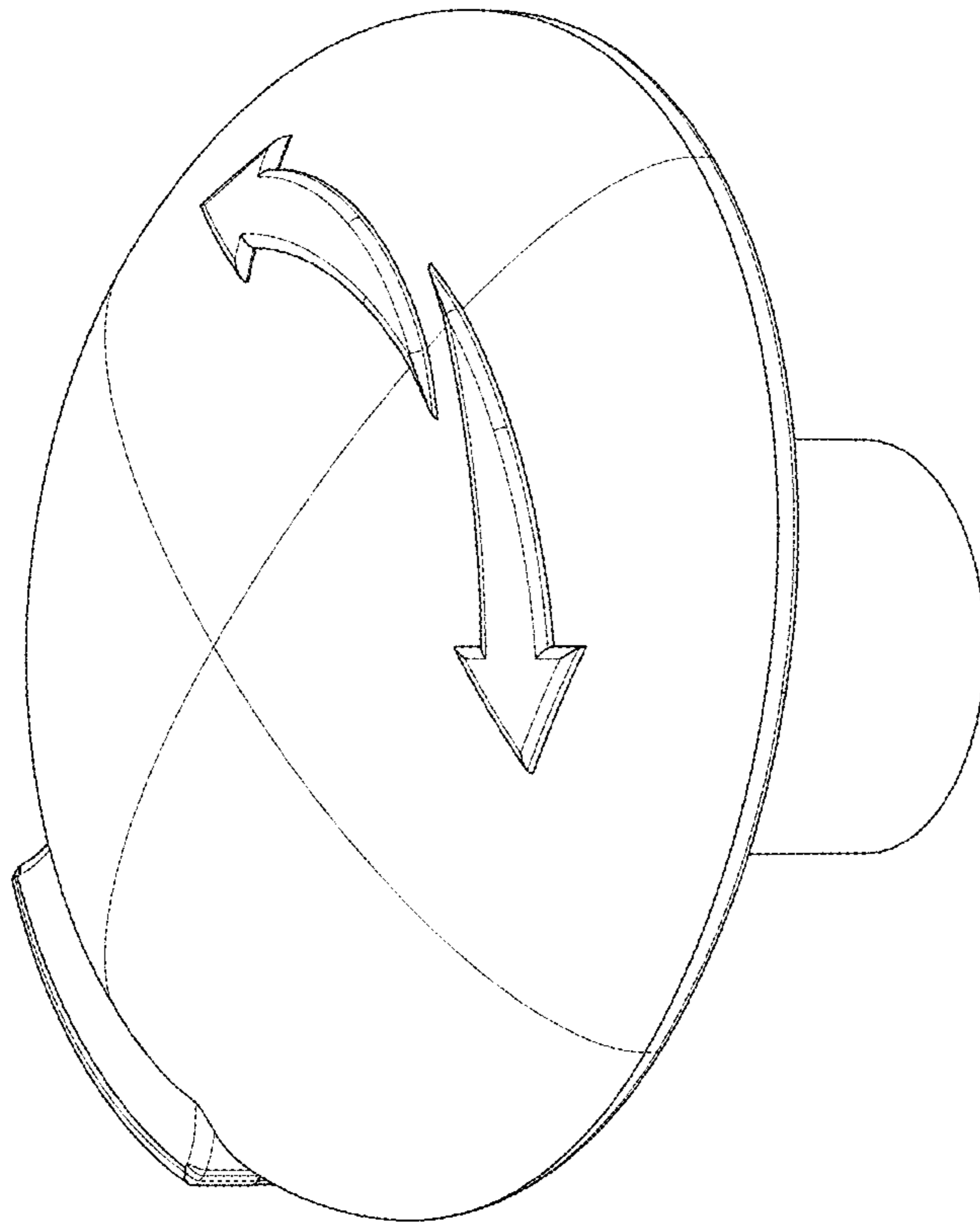


Fig. 1

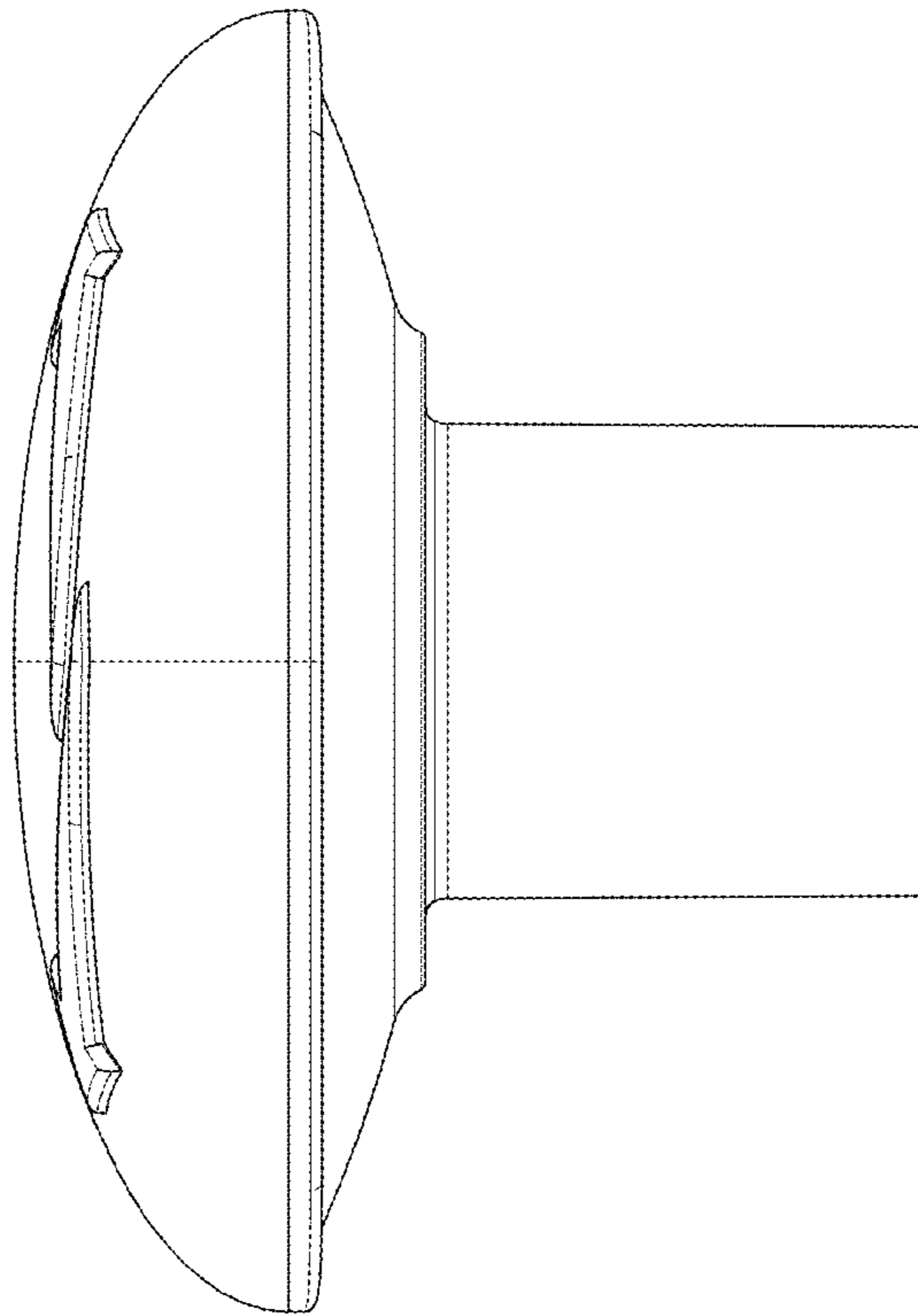


Fig. 2

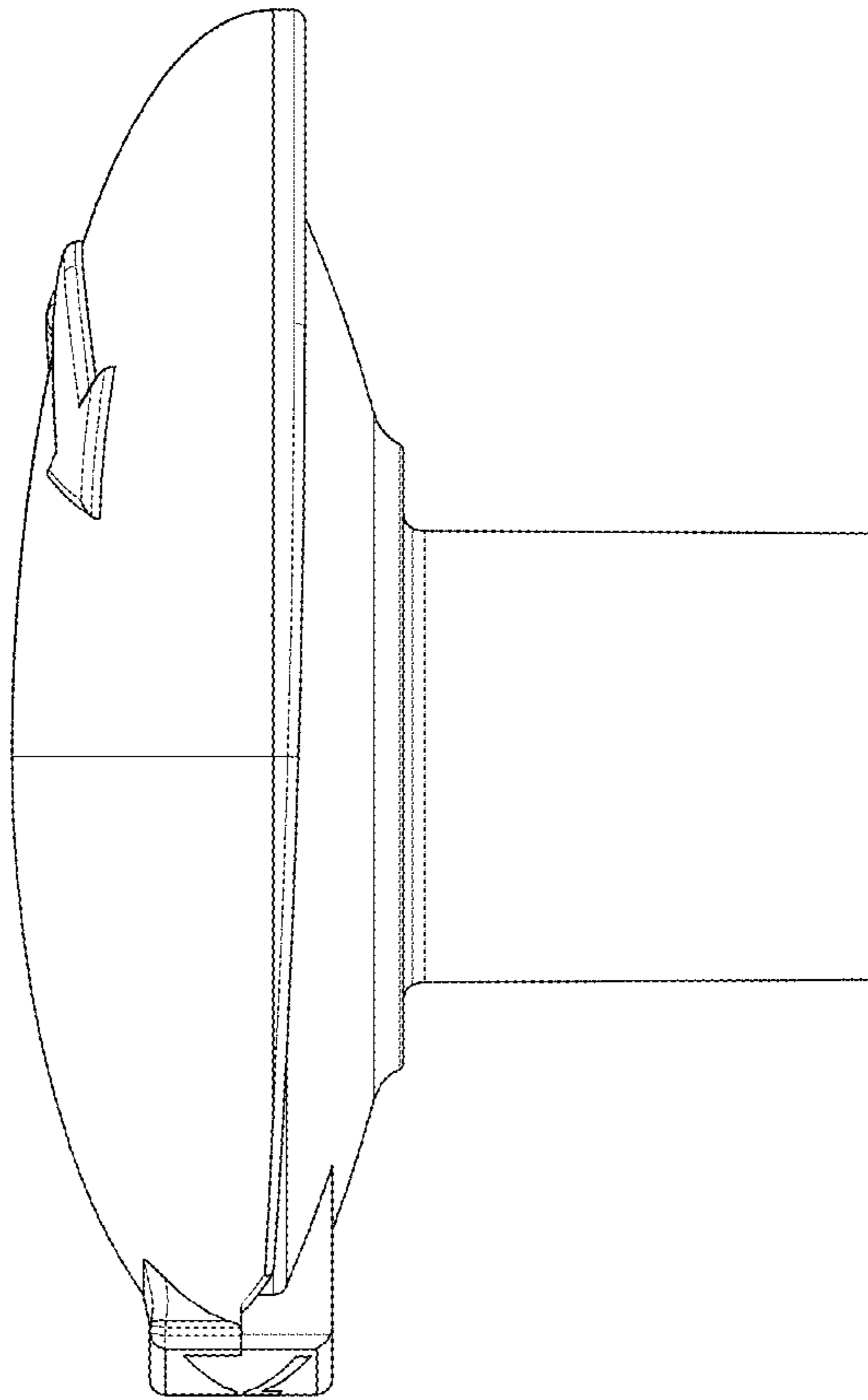


Fig. 3

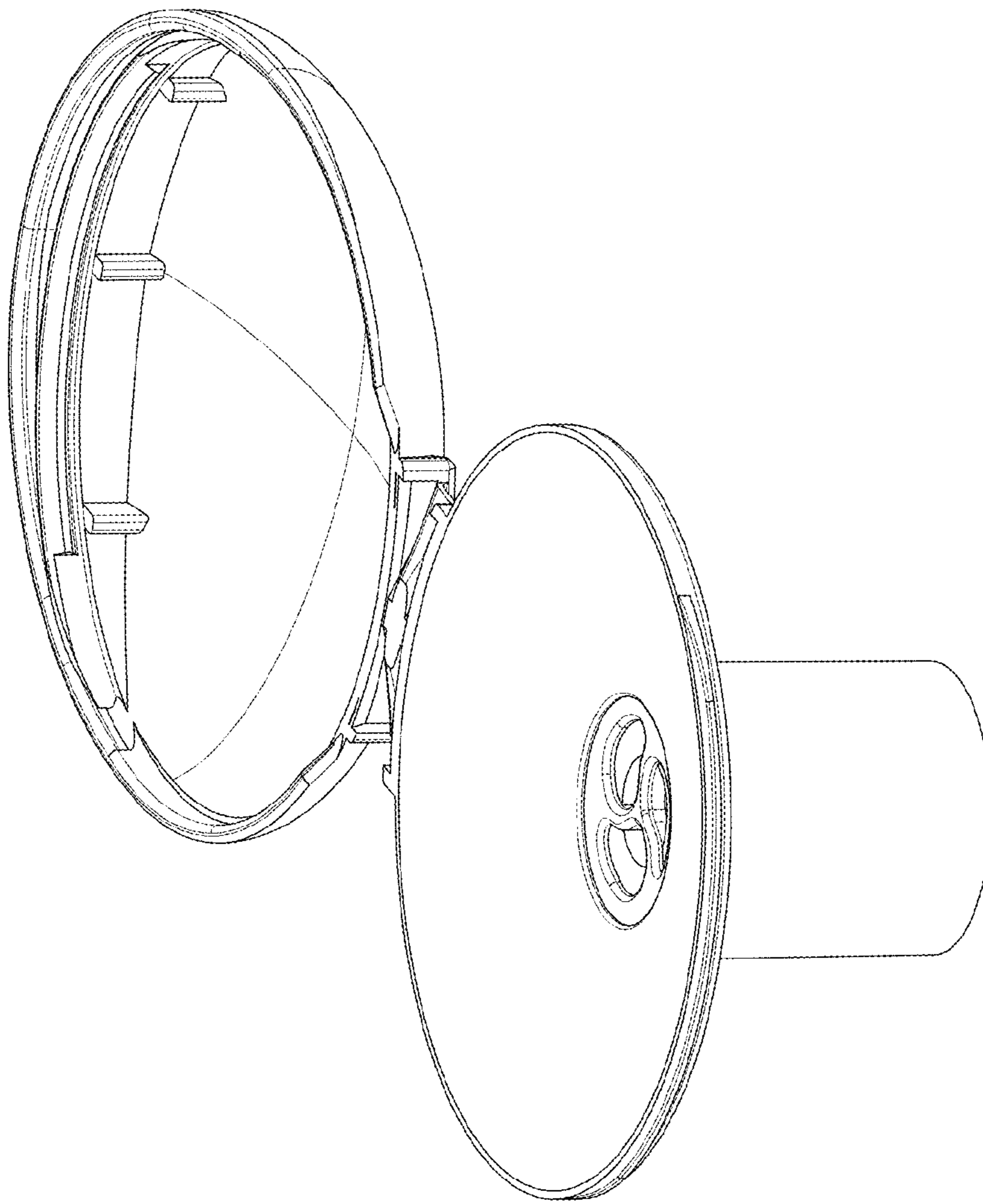


Fig. 4

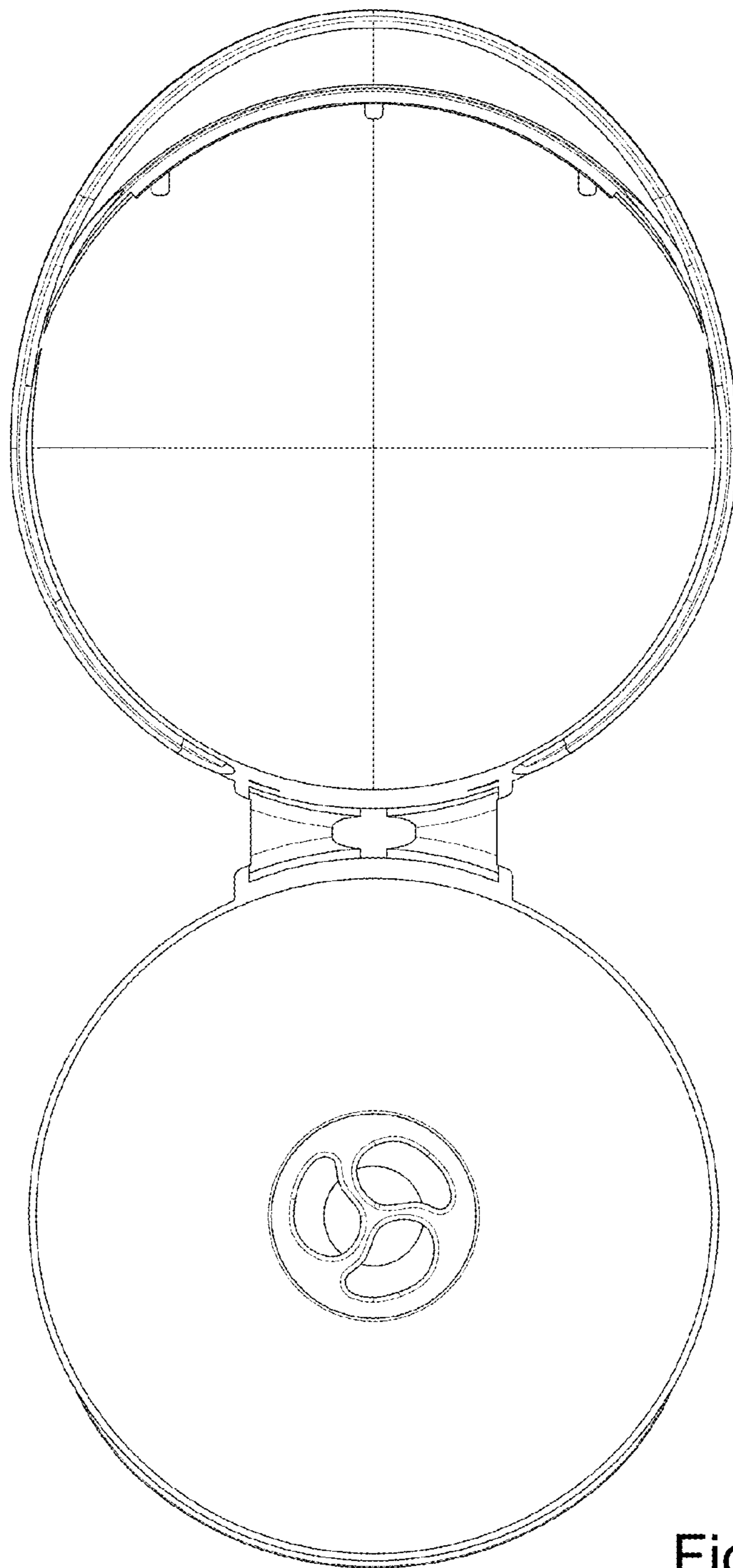


Fig. 5

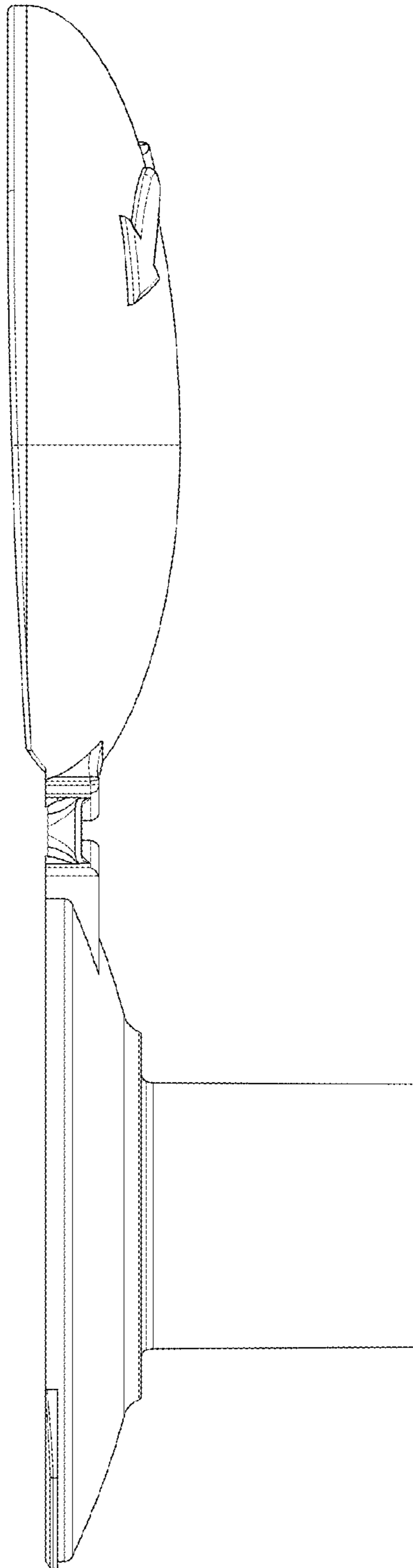


Fig. 6