

US00D718111S

(12) **United States Design Patent**  
**Han**

(10) **Patent No.:** **US D718,111 S**

(45) **Date of Patent:** **\*\* Nov. 25, 2014**

(54) **CABINET KNOB**

(71) Applicant: **Hardware Resources, Inc.**, Bossier City, LA (US)

(72) Inventor: **Kukjin Han**, High Point, NC (US)

(73) Assignee: **Hardware Resources, Inc.**, Bossier City, LA (US)

(\*\*) Term: **14 Years**

(21) Appl. No.: **29/470,116**

(22) Filed: **Oct. 17, 2013**

(51) **LOC (10) Cl.** ..... **08-06**

(52) **U.S. Cl.**  
USPC ..... **D8/307**

(58) **Field of Classification Search**  
CPC ..... E05B 1/00  
USPC ..... D8/307, 300, 305, 310, 311, 312,  
D8/DIG. 1, DIG. 2; D7/393; D23/250, 254;  
16/110.1, 415, 417, 441, DIG. 30;  
292/336.3, 347  
See application file for complete search history.

(56) **References Cited**

**U.S. PATENT DOCUMENTS**

D64,095	S	*	2/1924	Yates	.....	D8/307
D65,142	S	*	7/1924	Roth	.....	D8/307
1,594,252	A	*	7/1926	Freysinger	.....	292/347
D82,600	S	*	11/1930	Brownell	.....	D8/307
D85,771	S	*	12/1931	Ruppel	.....	D8/311

D94,405	S	*	1/1935	Carlson	.....	D8/302
D94,406	S	*	1/1935	Carlson	.....	D8/302
D94,408	S	*	1/1935	Carlson	.....	D8/302
D102,288	S	*	12/1936	Murrin	.....	D8/314
D118,015	S	*	12/1939	Hermann	.....	D23/254
2,190,192	A	*	2/1940	Raymond	.....	16/417
D189,126	S	*	11/1960	Maffei	.....	D8/307
D203,148	S	*	12/1965	Kaiser et al.	.....	D23/250
D542,622	S	*	5/2007	Ricereto	.....	D8/307
D579,746	S	*	11/2008	Krumpe	.....	D8/307
D588,896	S	*	3/2009	Ricereto	.....	D8/307
D612,703	S	*	3/2010	Hanes	.....	D8/307
D613,823	S	*	4/2010	Sofield	.....	D23/250

\* cited by examiner

*Primary Examiner* — Paula Greene

(74) *Attorney, Agent, or Firm* — Schultz & Associates, P.C.

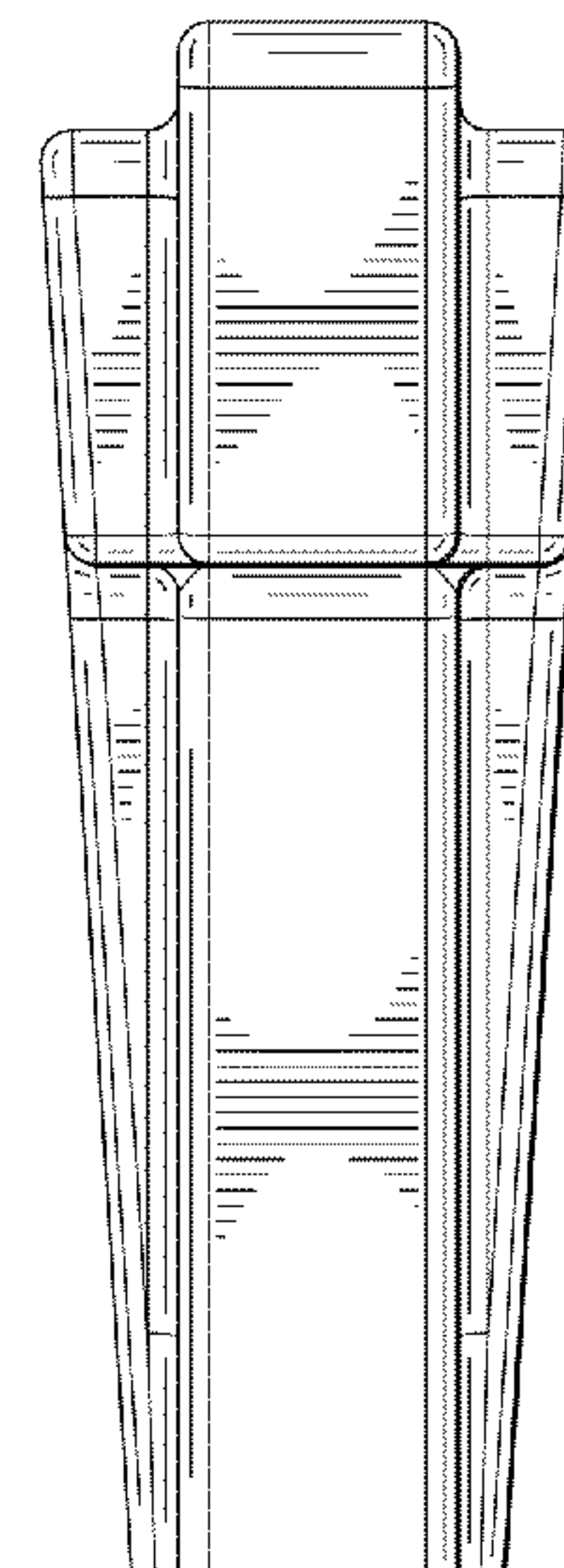
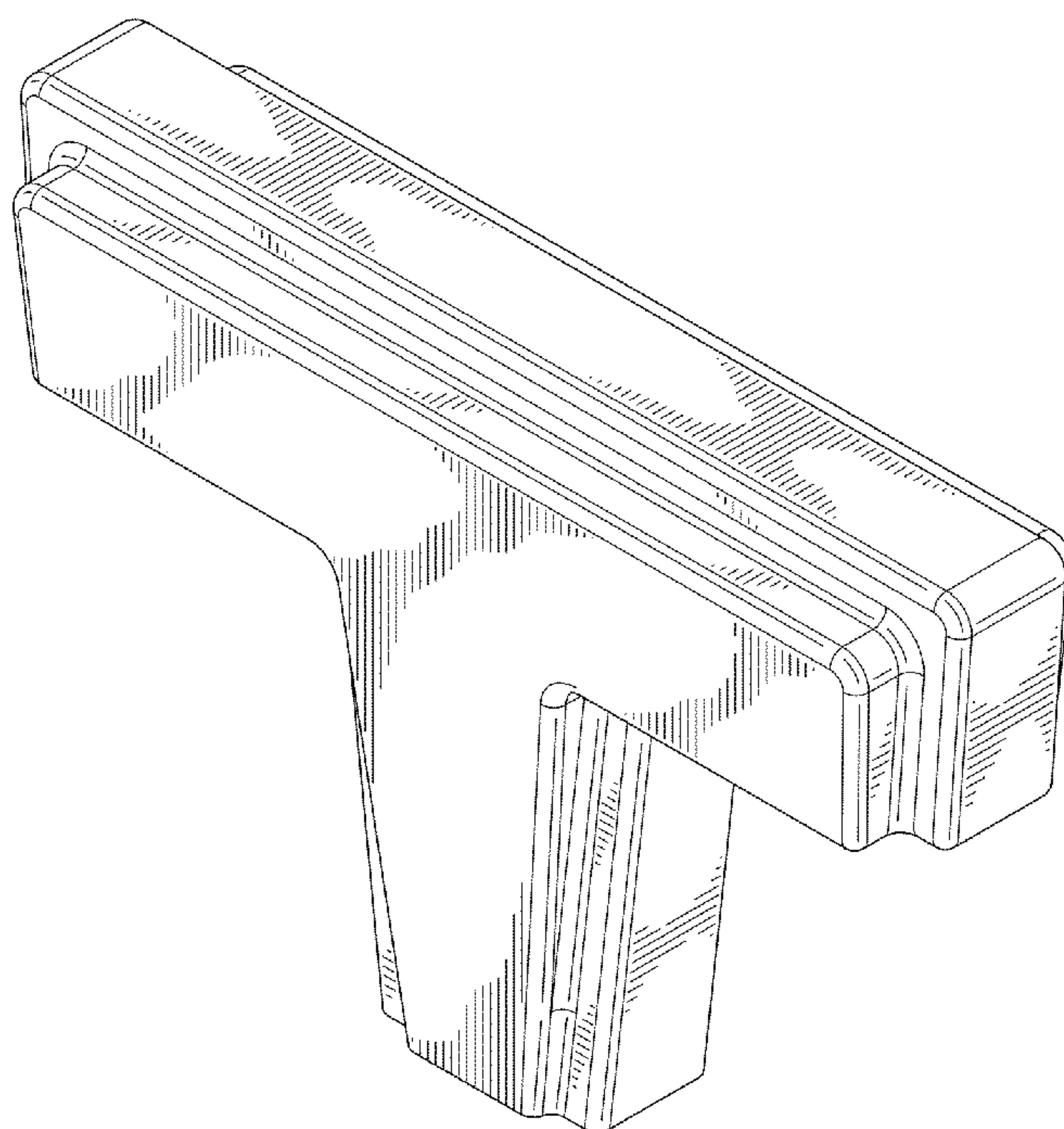
(57) **CLAIM**

The ornamental design for a cabinet knob, as shown and described.

**DESCRIPTION**

FIG. 1 is a perspective view of a cabinet knob showing my new design;  
FIG. 2 is a side elevation view thereof;  
FIG. 3 is a side elevation view thereof;  
FIG. 4 is a top plan view thereof; and,  
FIG. 5 is a bottom plan view thereof.  
The broken lines shown represent unclaimed subject matter and form no part of the claimed design.

**1 Claim, 3 Drawing Sheets**



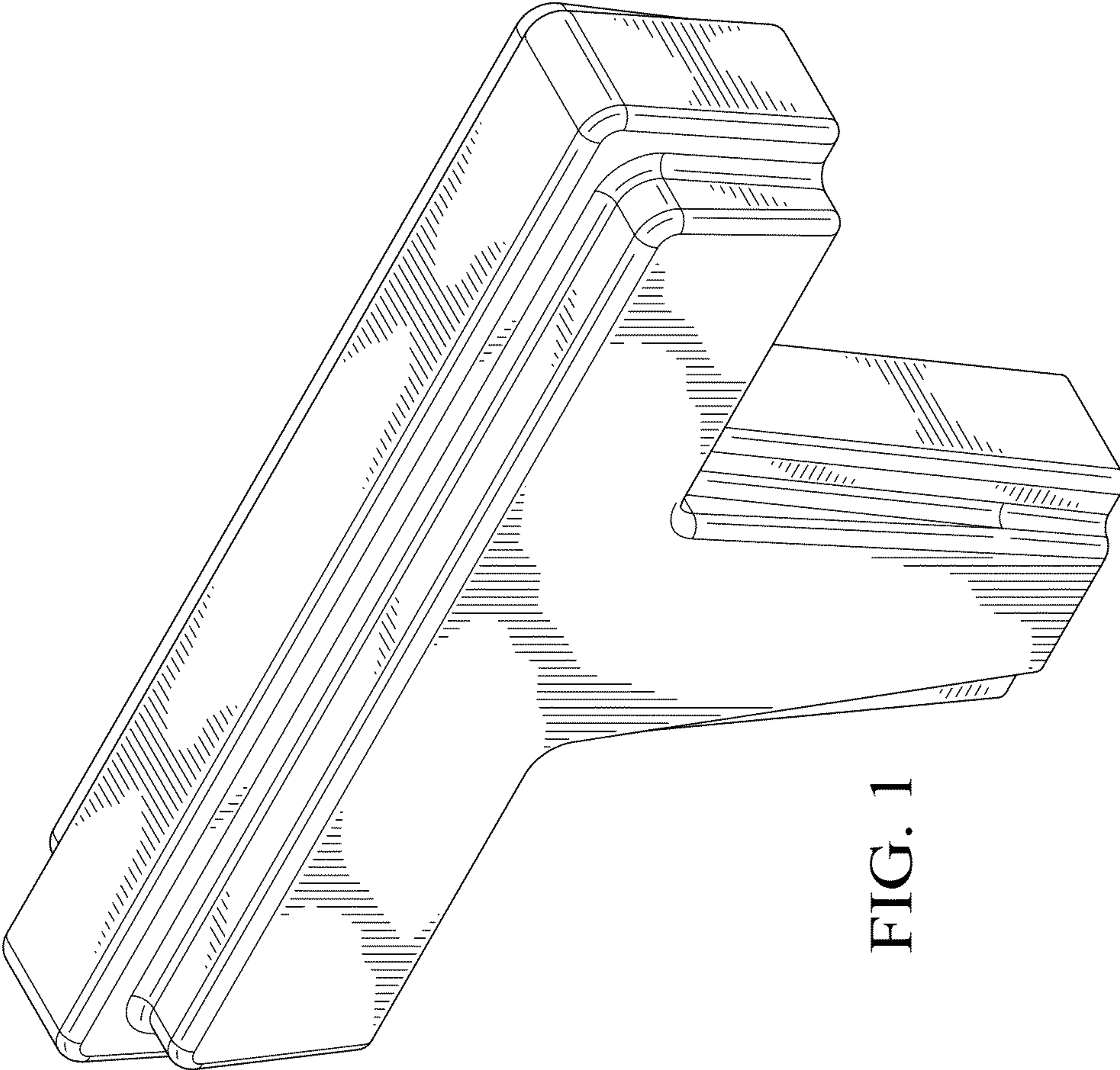


FIG. 1

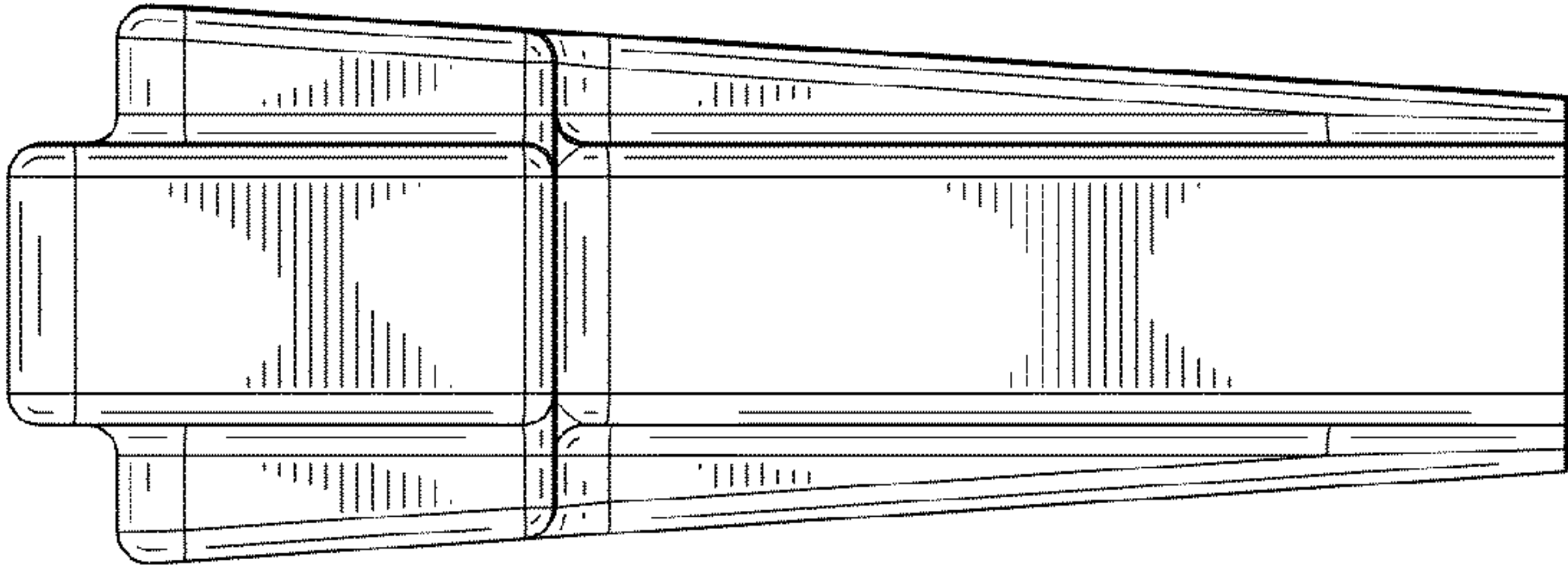


FIG. 3

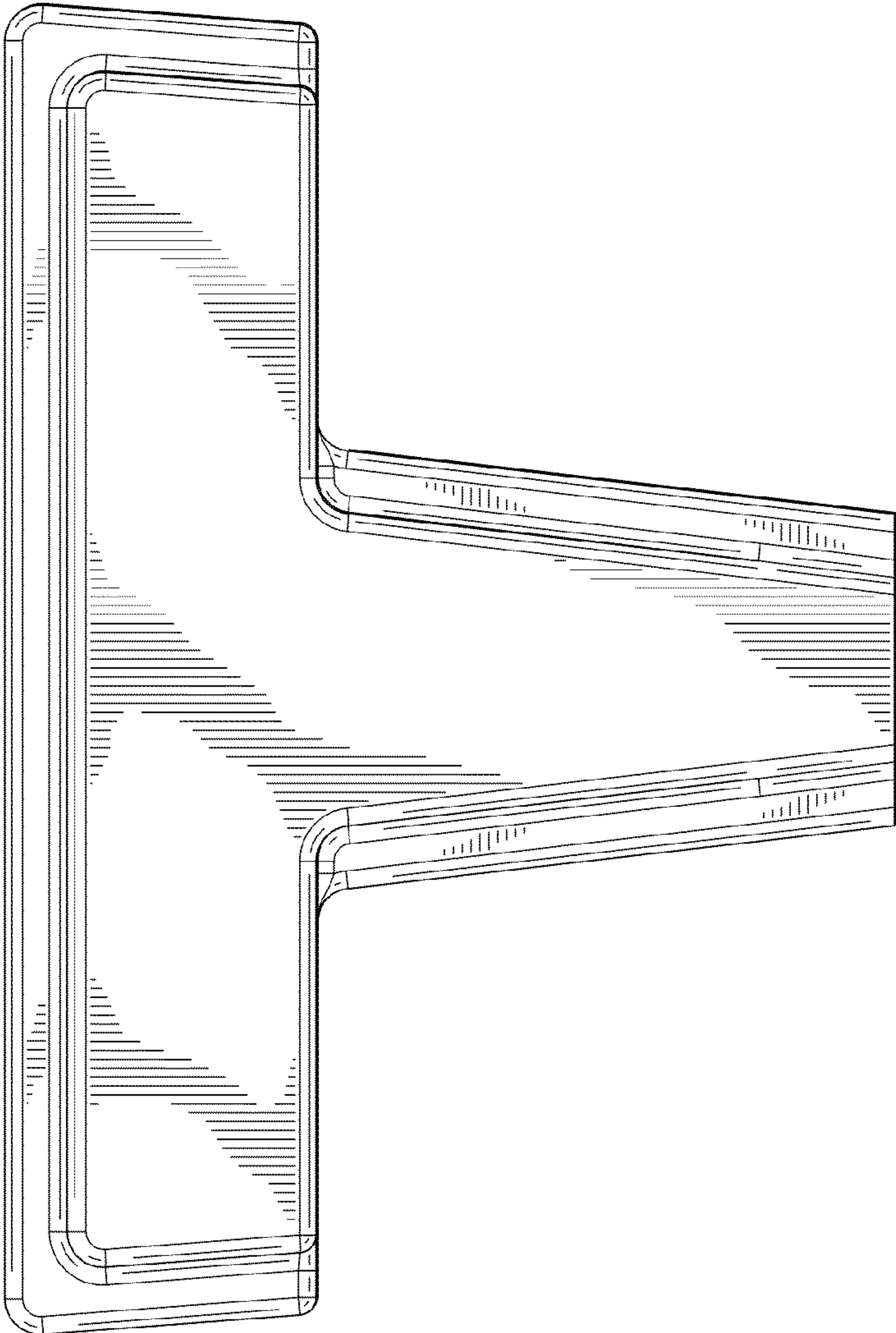


FIG. 2



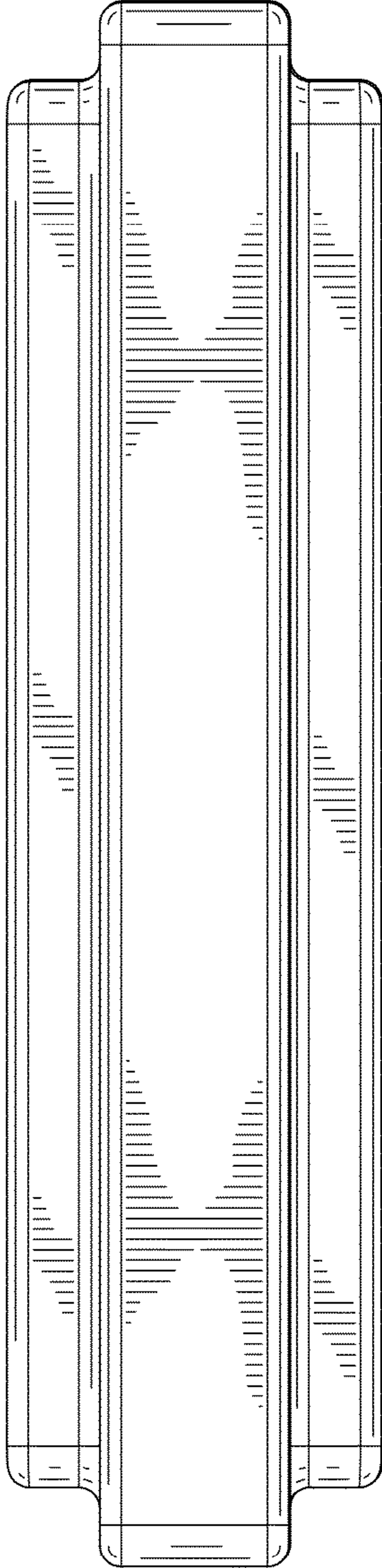


FIG. 4

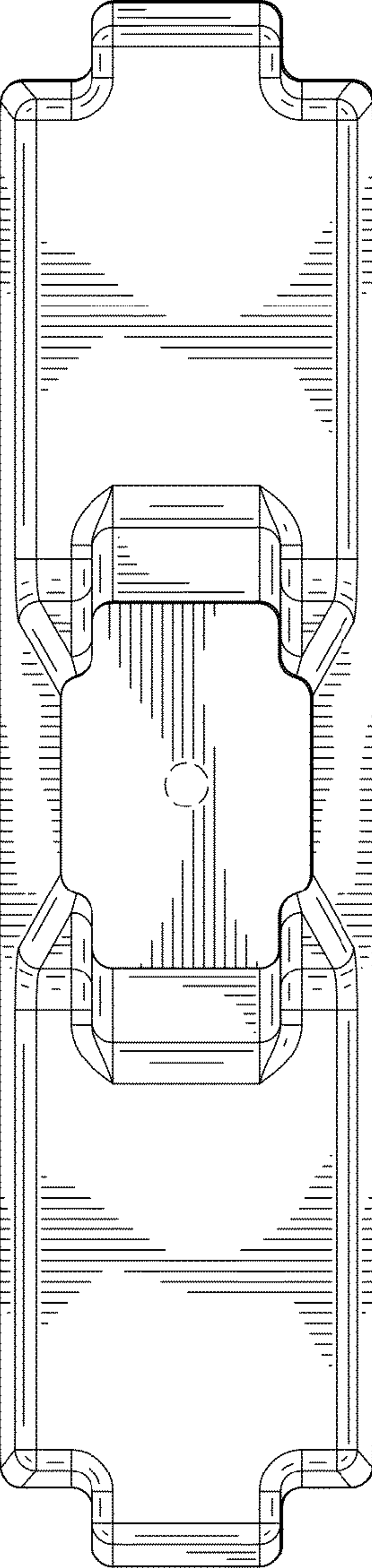


FIG. 5