



US00D718107S

(12) **United States Design Patent**
Bascom

(10) **Patent No.:** **US D718,107 S**

(45) **Date of Patent:** **** Nov. 25, 2014**

(54) **VICE GRIP WITH SLIDE HAMMER**

(71) Applicant: **Mark A. Bascom**, Jensen, UT (US)

(72) Inventor: **Mark A. Bascom**, Jensen, UT (US)

(**) Term: **14 Years**

(21) Appl. No.: **29/476,468**

(22) Filed: **Dec. 13, 2013**

(51) **LOC (10) Cl.** **08-05**

(52) **U.S. Cl.**
USPC **D8/52**

(58) **Field of Classification Search**
CPC A61B 2017/92; B25B 7/12; B25B 7/02
USPC D8/52, 54-56, 58, 105; 81/342, 367,
81/370, 380, 390, 418, 420, 424.5, 427.5,
81/486, 489, 463; 254/18, 19; 7/127;
29/254; 606/100

See application file for complete search history.

(56) **References Cited**

U.S. PATENT DOCUMENTS

3,169,010	A *	2/1965	Crawford, Jr.	254/19
3,791,012	A *	2/1974	Jenkin	29/254
4,307,635	A *	12/1981	Genova	81/463
D342,877	S *	1/1994	Adamic	D8/52
D398,208	S *	9/1998	Anderson	D8/52
5,984,272	A *	11/1999	Crider	254/18

D448,636	S *	10/2001	Yeh	D8/55
D448,637	S *	10/2001	Yeh	D8/55
D470,373	S *	2/2003	Ferreria et al.	D8/52
7,168,144	B1	1/2007	Haelle	
D547,628	S *	7/2007	McGinnis	D8/55
8,407,874	B2 *	4/2013	Giberti	29/254
8,486,084	B2 *	7/2013	Huene	606/100
2010/0331851	A1 *	12/2010	Huene	606/100
2014/0090525	A1 *	4/2014	Phillips et al.	81/387

* cited by examiner

Primary Examiner — Deanna L Pratt

Assistant Examiner — Harold Blackwell, II

(74) *Attorney, Agent, or Firm* — Crossley Patent Law;
Micah C. Gunn

(57) **CLAIM**

The ornamental design for a vice grip with slide hammer, as shown and described.

DESCRIPTION

FIG. 1 is a right side elevation view of a vice grip with slide hammer showing my new design, a vice grip and a slide hammer separated for clarity;

FIG. 2 is a left side elevation view thereof;

FIG. 3 is a top plan view thereof;

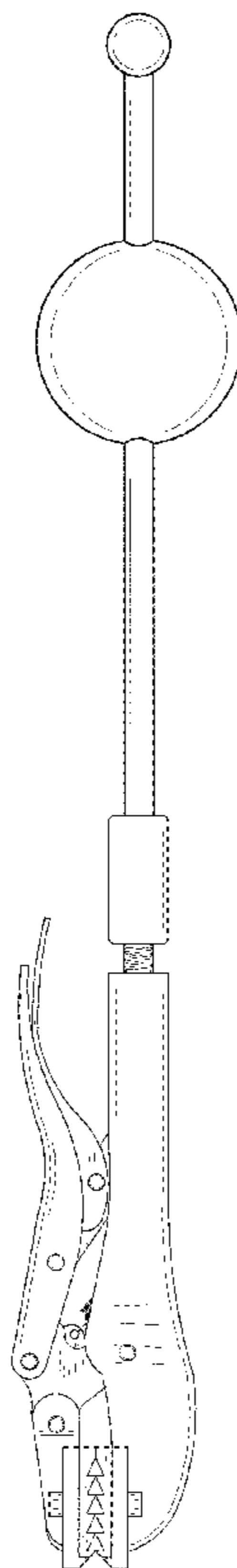
FIG. 4 is a bottom plan view thereof;

FIG. 5 is a front elevation view thereof;

FIG. 6 is a rear elevation view thereof; and,

FIG. 7 is an isometric view thereof.

1 Claim, 7 Drawing Sheets



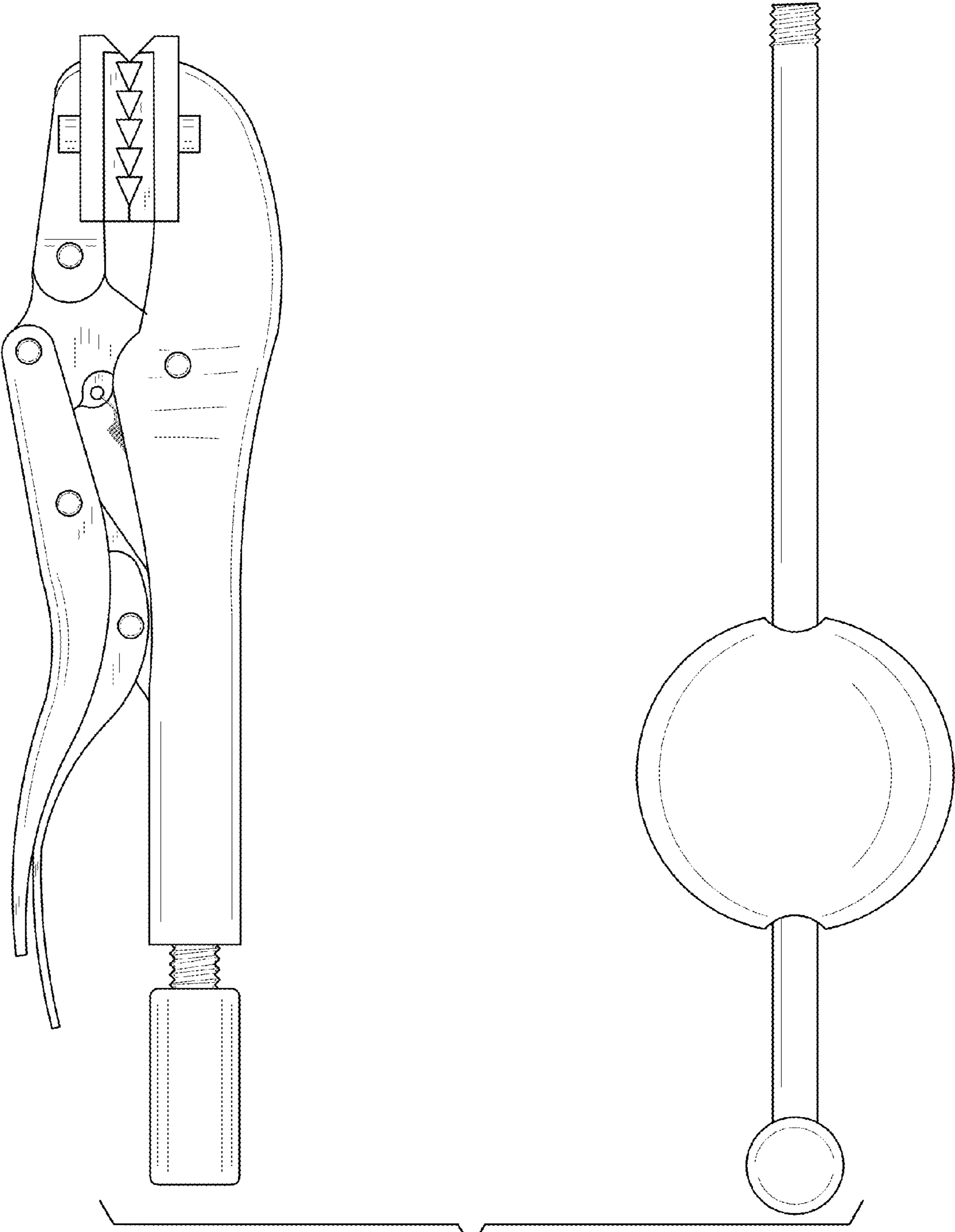


FIG. 1

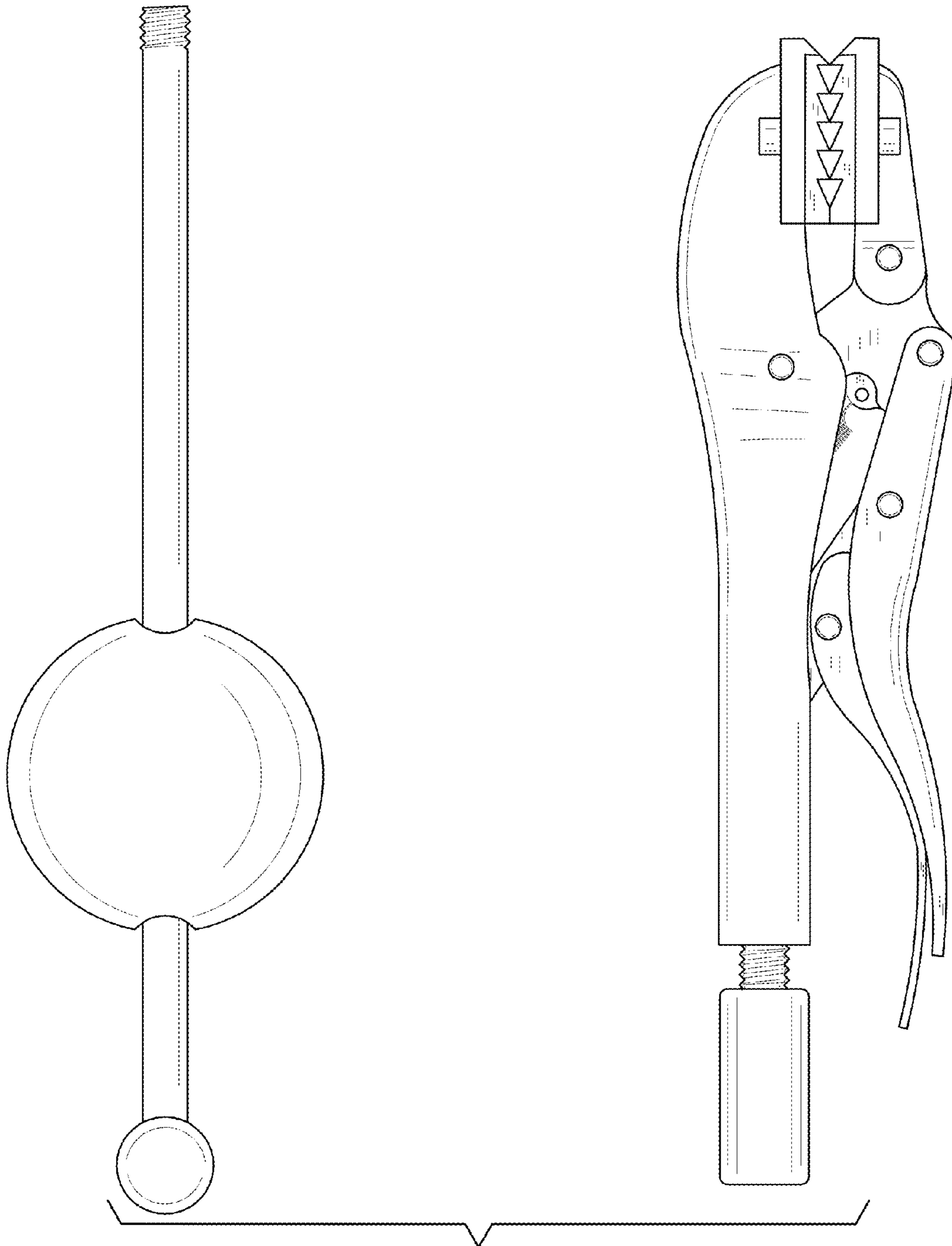


FIG. 2

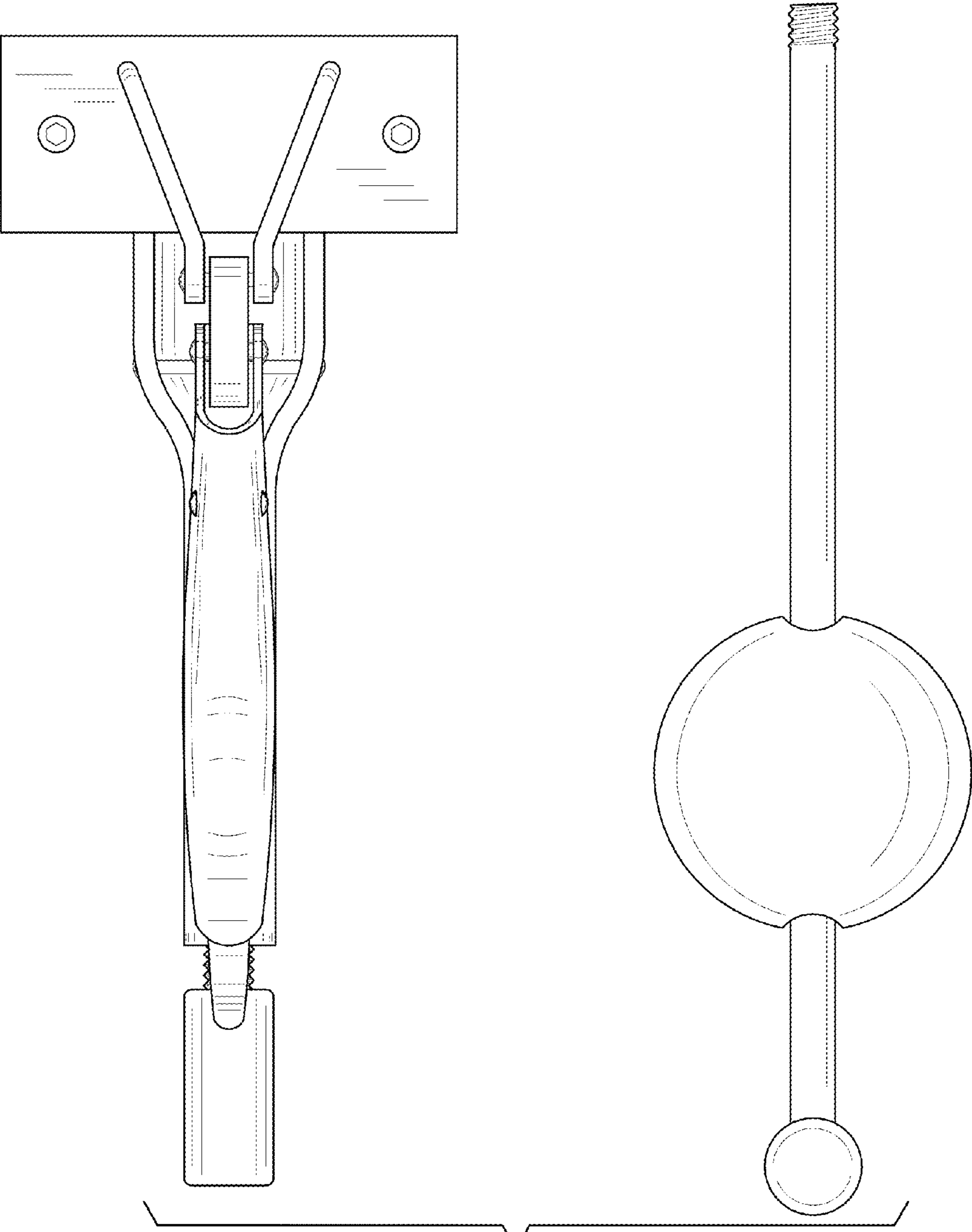


FIG. 3

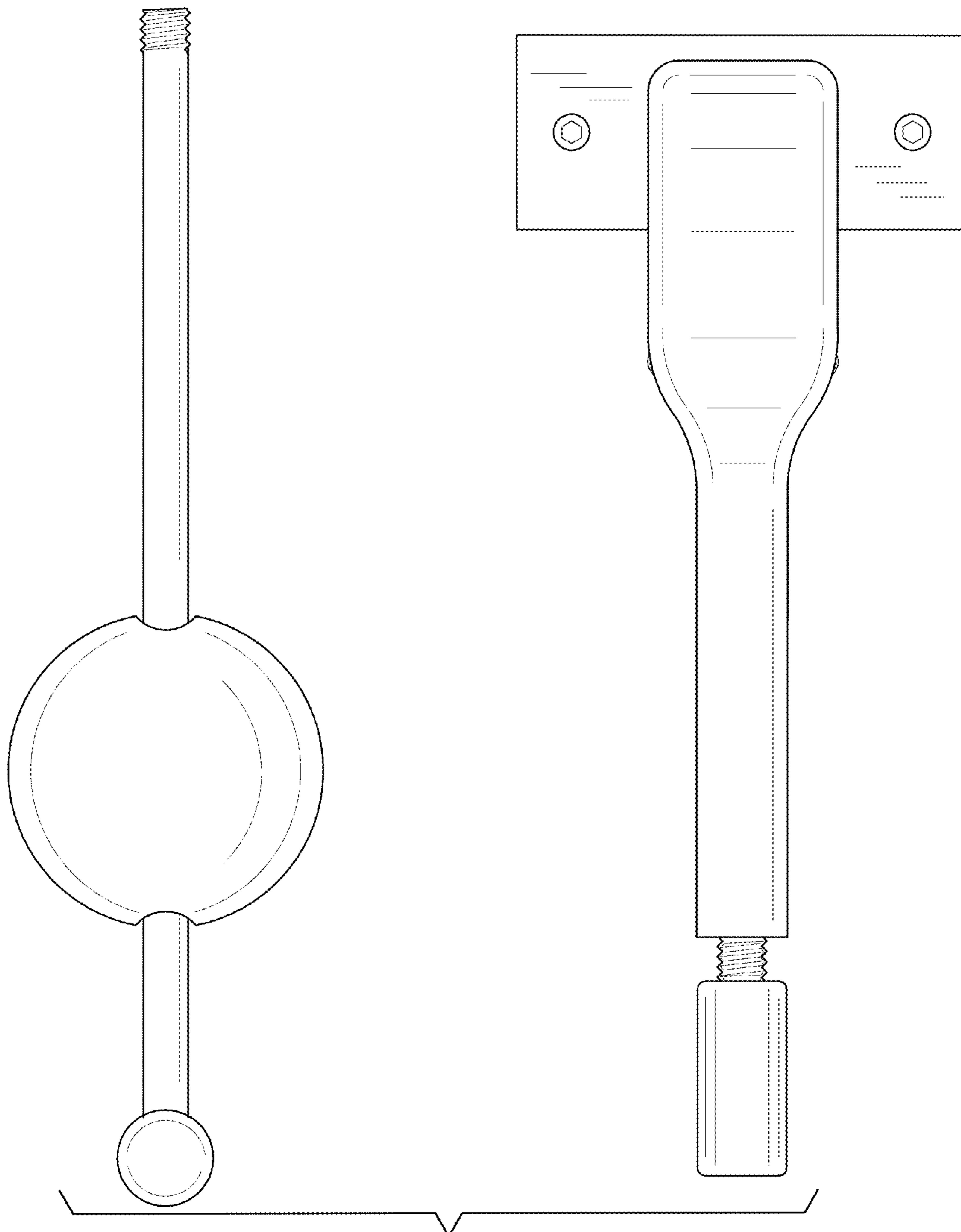


FIG. 4

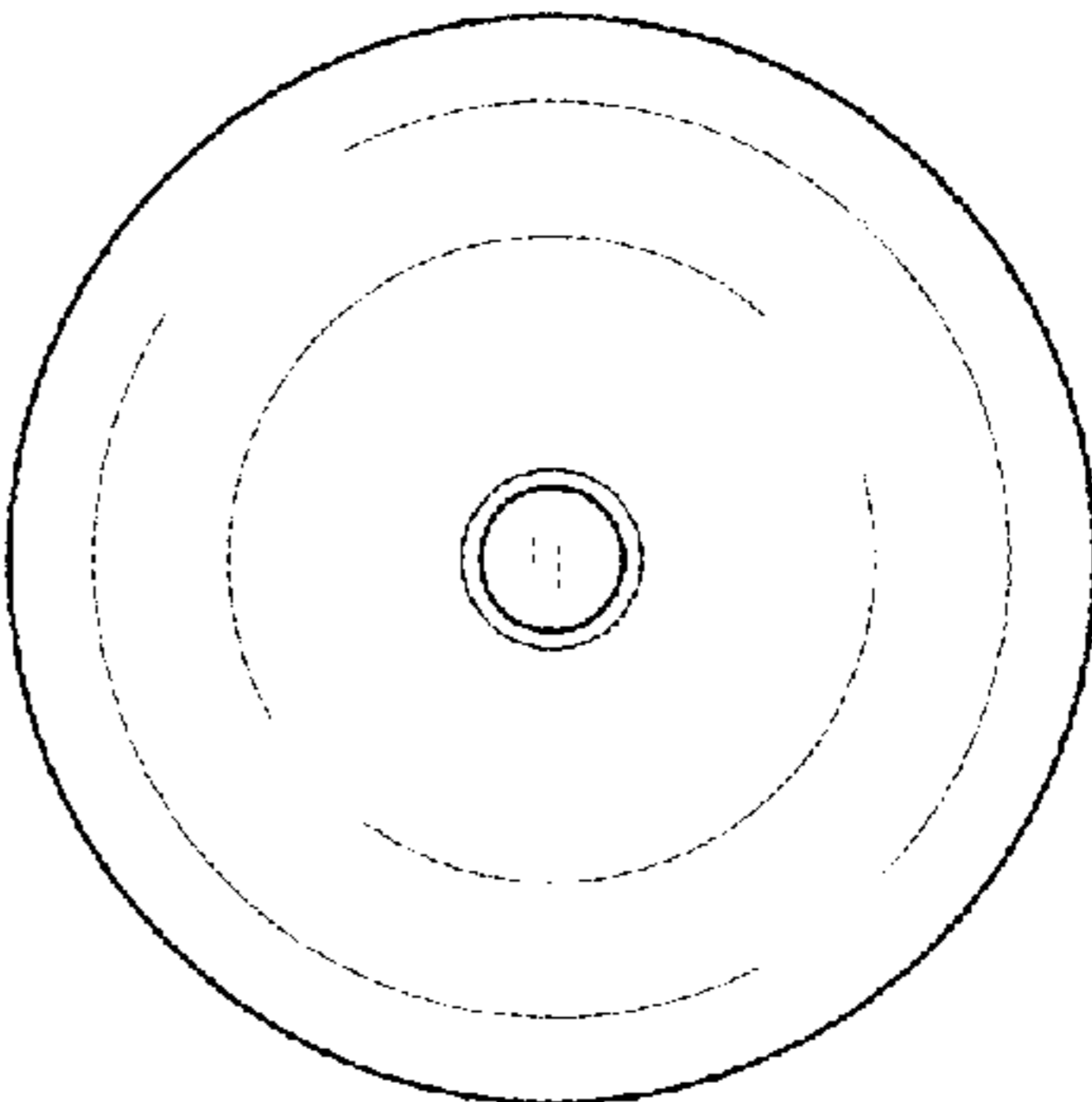
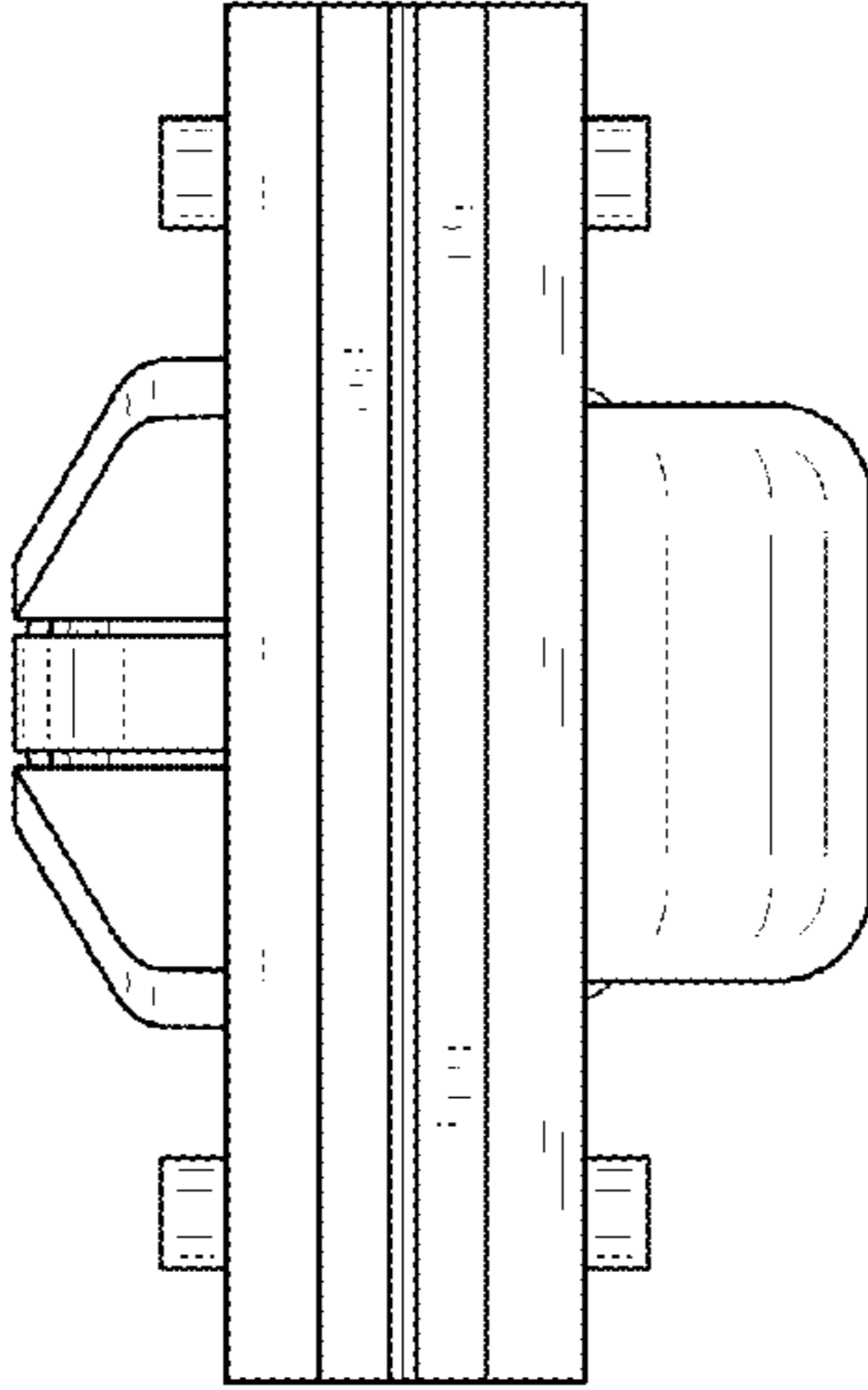


FIG. 5

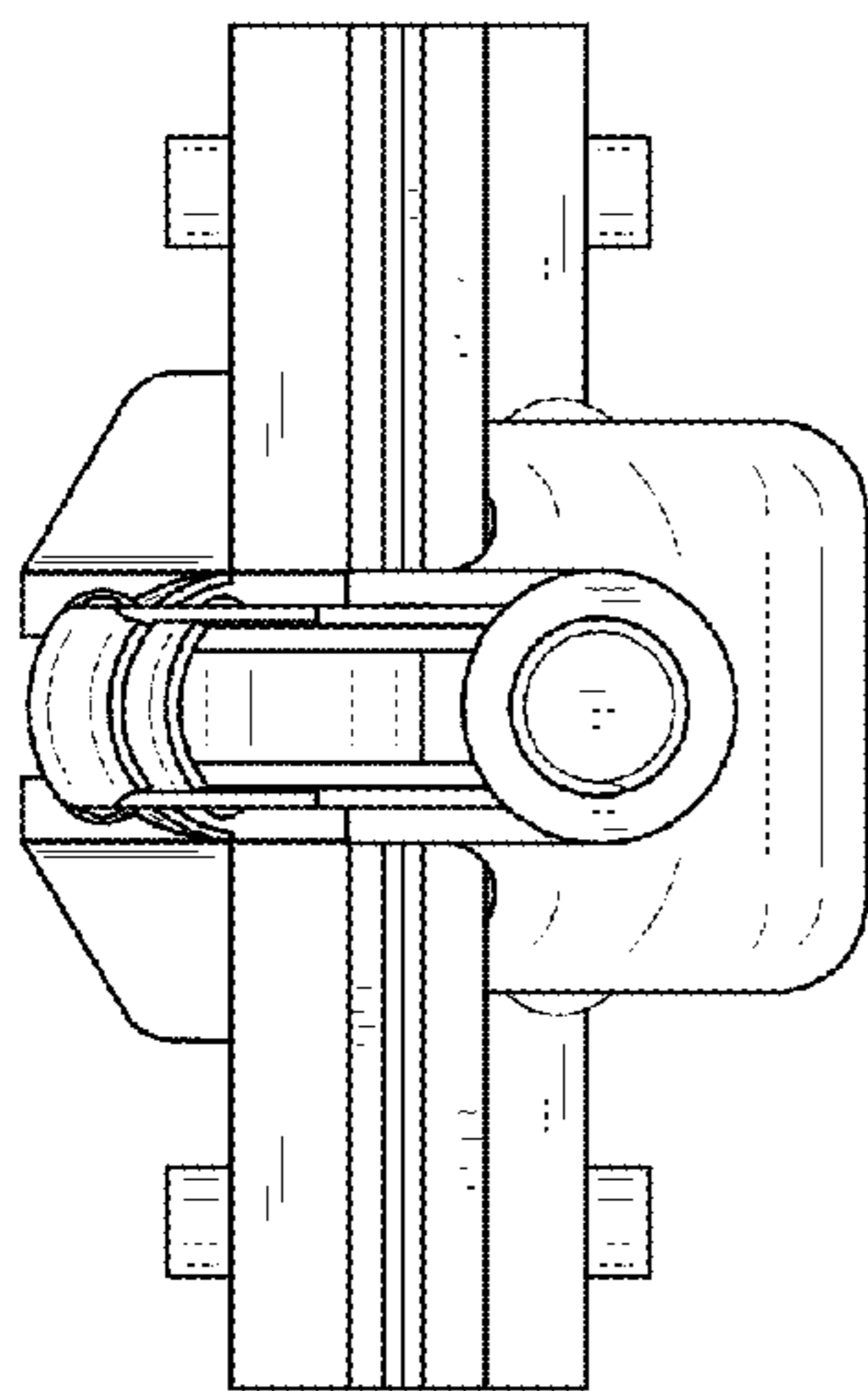
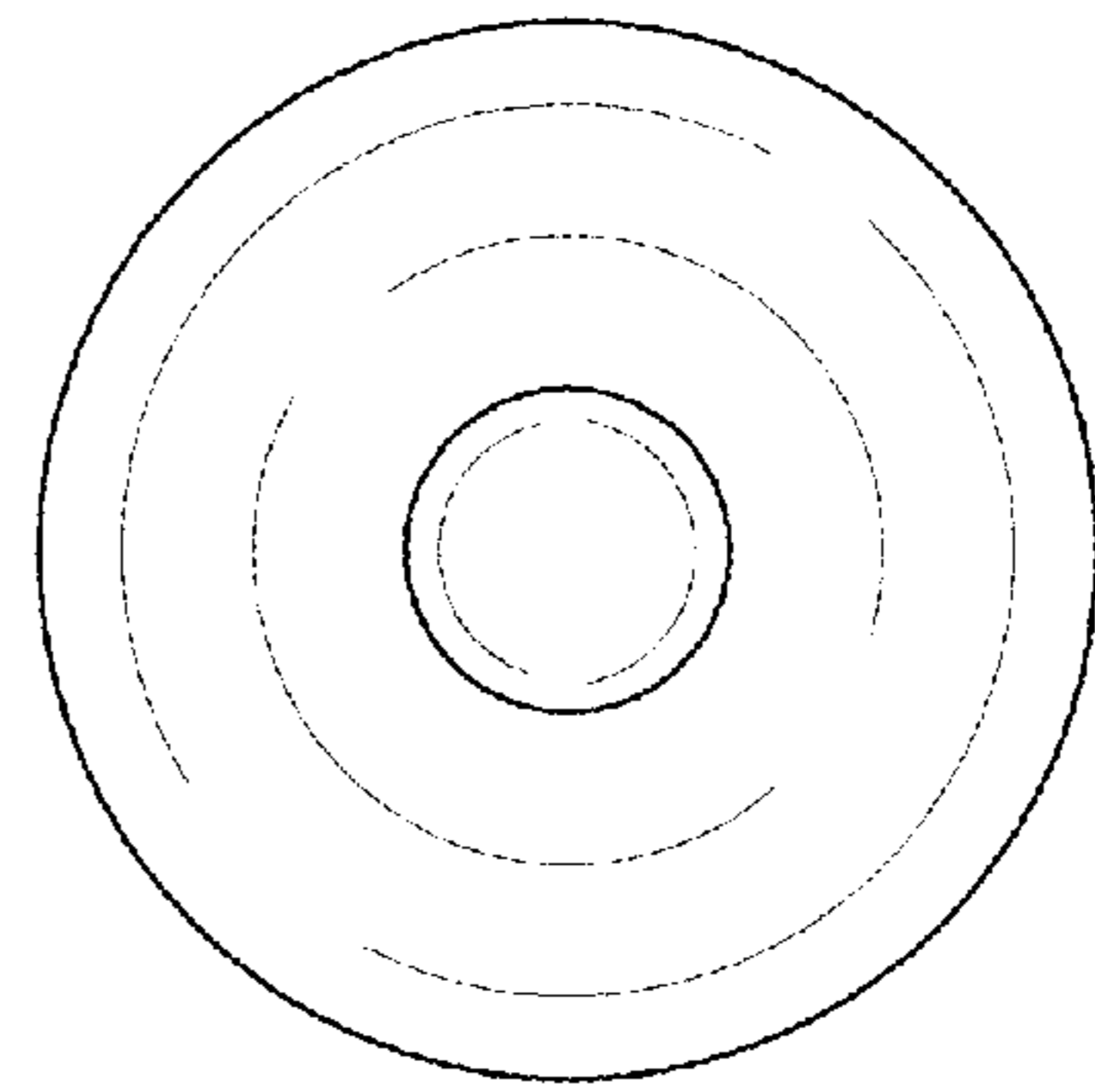


FIG. 6

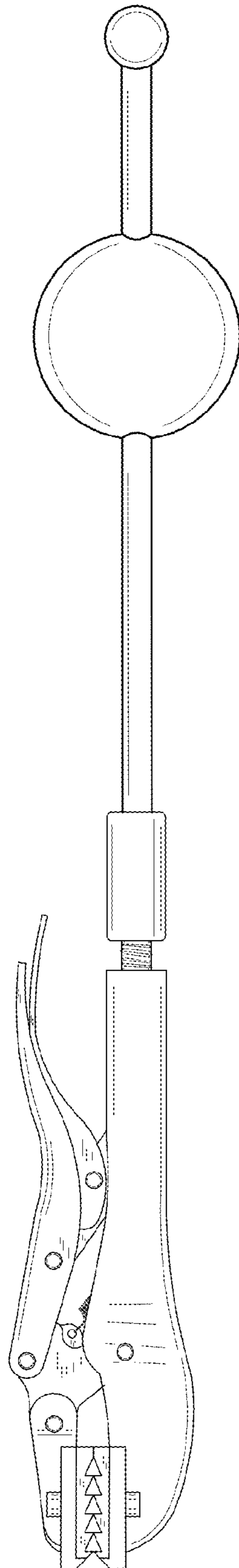


FIG. 7