



US00D718104S

(12) **United States Design Patent**
Macor

(10) **Patent No.:** **US D718,104 S**

(45) **Date of Patent:** **** Nov. 25, 2014**

(54) **WRENCH HANDLE**

7,047,845 B2 * 5/2006 Macor 81/177.1
D525,493 S * 7/2006 Hsieh D8/27
D604,130 S * 11/2009 Macor D8/22

(71) Applicant: **Richard J. Macor**, Hunterdon County,
NJ (US)

* cited by examiner

(72) Inventor: **Richard J. Macor**, Hunterdon County,
NJ (US)

Primary Examiner — Randall Gholson

(73) Assignee: **Proprietary Technologies, Inc.**,
Hunterdon County, NJ (US)

(57) **CLAIM**

The ornamental design for a wrench handle (the article which embodies the design or to which it is applied), as shown and described.

(**) Term: **14 Years**

(21) Appl. No.: **29/463,812**

DESCRIPTION

(22) Filed: **Mar. 11, 2014**

(51) **LOC (10) Cl.** **08-05**

(52) **U.S. Cl.**
USPC **D8/21**

(58) **Field of Classification Search**
CPC B25B 13/00; B25B 13/46
USPC D8/21-29, 107, 303, 17, 82-87;
81/125.1, 124.1, 124.4, 177.1-177.7,
81/489, 436-440, 60; 16/110.1, 421, 422,
16/430, 431; D7/395, 649, 402.1, 393,
D7/645, 401.2; D4/135, 138
See application file for complete search history.

This patent application is related to the following patents and/or patent pending applications granted to the inventor herein: U.S. Ser. Nos. 29/421,886; 29/421,595; 29/421,494; U.S. Pat. No. 7,047,845; U.S. Pat. No. 6,959,628; U.S. Pat. No. 6,792,833; U.S. Pat. No. D494,833; U.S. Pat. No. 6,655,239; U.S. Pat. No. D481,613; Taiwan 207,794; China ZL03155502.0.; and, Canada 2,412,131.

FIG. 1 is a rear perspective view of a wrench handle showing my new design;

FIG. 2 is a top plan view thereof;

FIG. 3 is a bottom plan view thereof;

FIG. 4 is a right side elevation view thereof; and,

FIG. 5 is a left side elevation view thereof.

The front of the wrench handle forms no part of the claimed design.

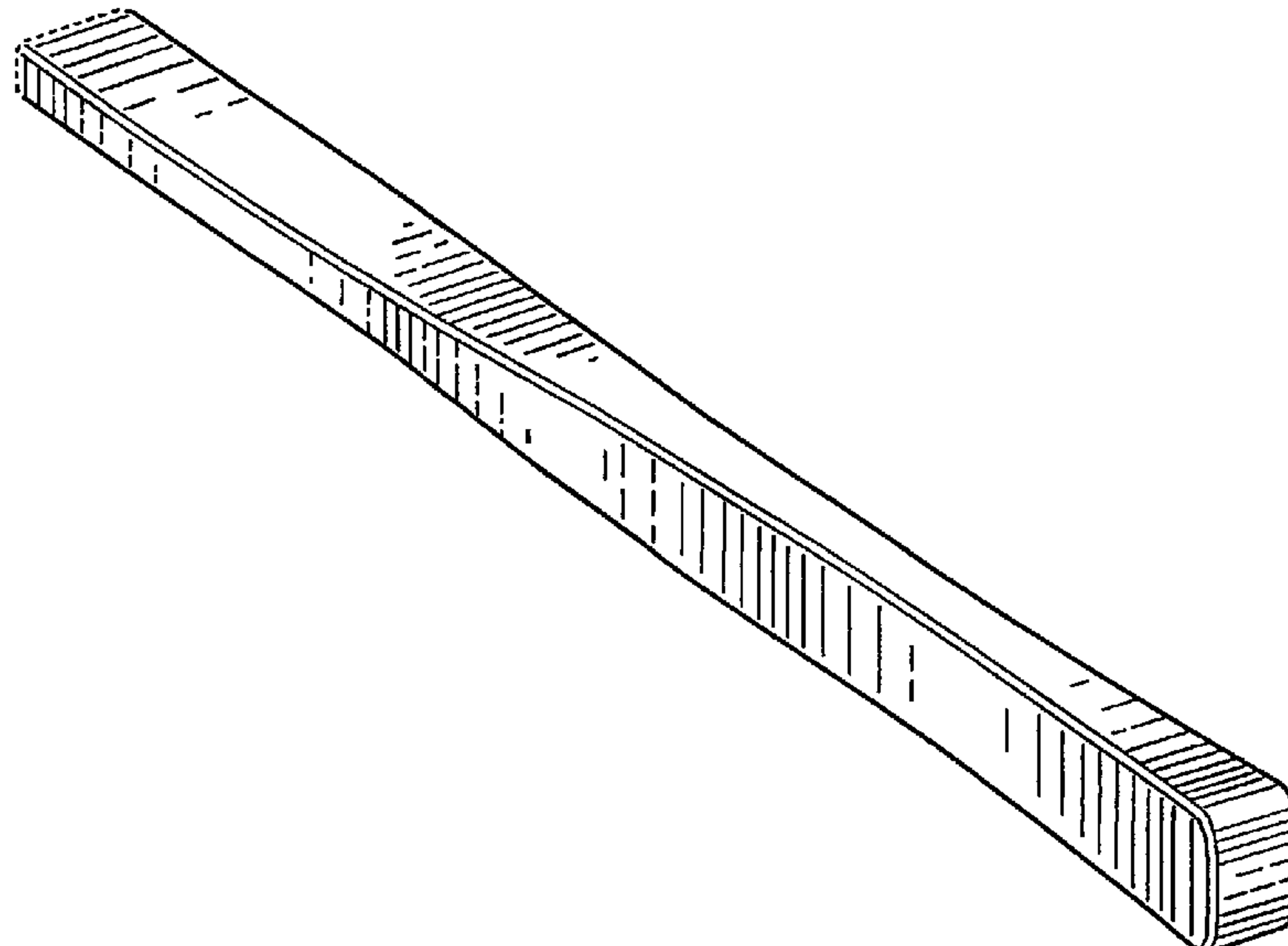
The broken line disclosure at the front end of the wrench handle shown in FIGS. 1-5 define the boundaries of the claimed subject matter, but form no part of it.

(56) **References Cited**

U.S. PATENT DOCUMENTS

D481,613 S * 11/2003 Macor D8/107
6,655,239 B1 * 12/2003 Macor 81/125.1
6,959,628 B2 * 11/2005 Macor 81/125.1
7,017,455 B2 * 3/2006 Hsien 81/177.1
D520,846 S * 5/2006 Hsien D8/107

1 Claim, 3 Drawing Sheets



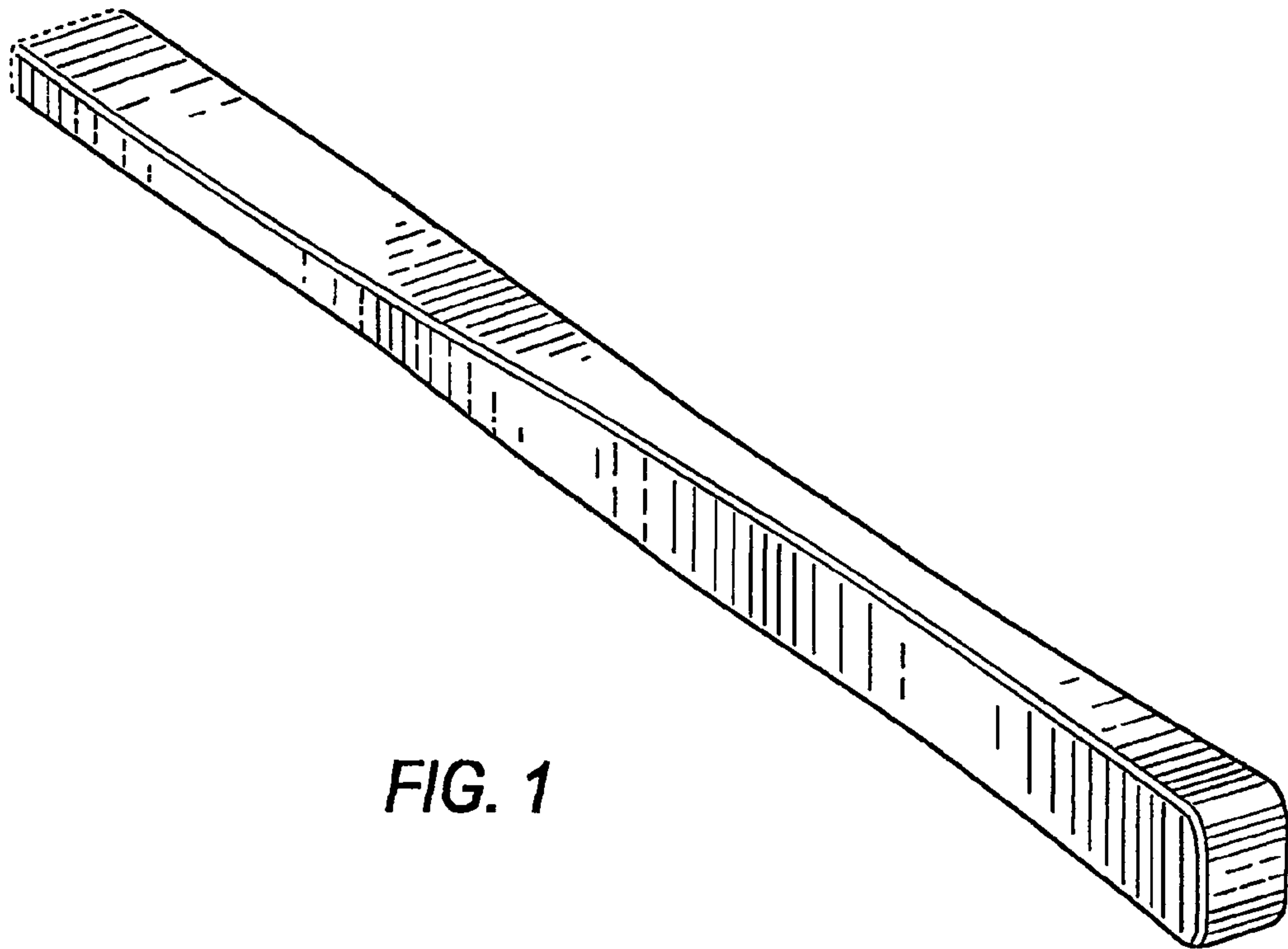


FIG. 1

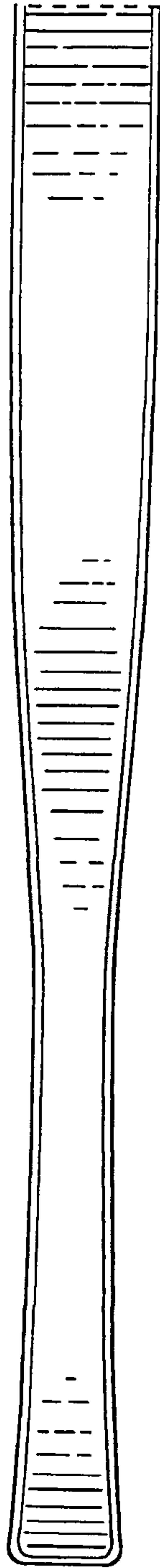


FIG. 2

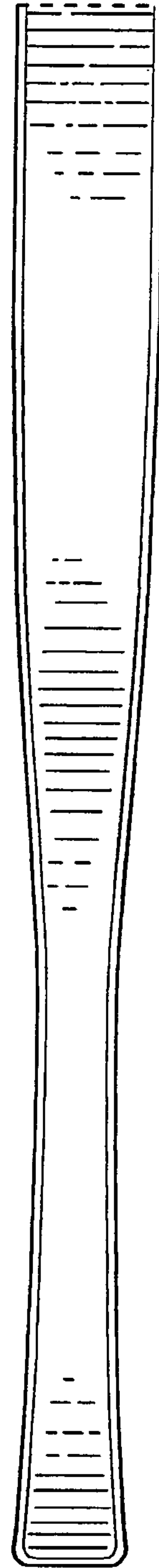


FIG. 3

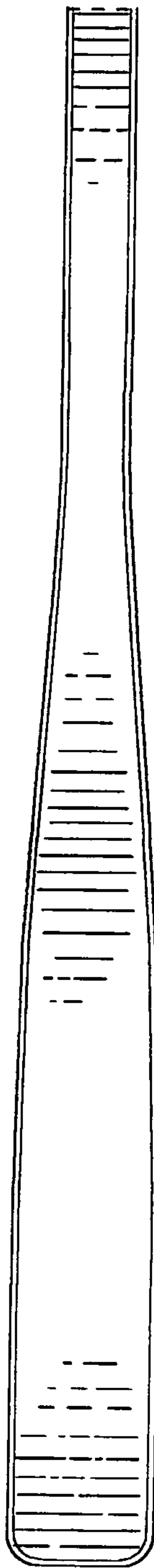


FIG. 4

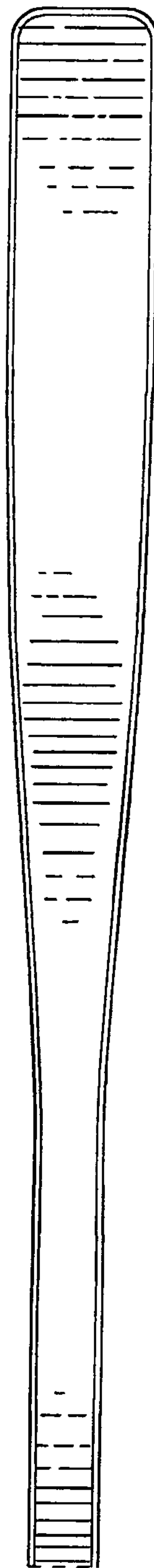


FIG. 5