



US00D718100S

(12) **United States Design Patent**  
**Masalin et al.**

(10) **Patent No.:** **US D718,100 S**  
(45) **Date of Patent:** **\*\* Nov. 25, 2014**

(54) **SNOW SHOVEL**

FOREIGN PATENT DOCUMENTS

(71) Applicant: **Fiskars Brands Finland Oy Ab**, Billnäs (FI)

DE 40001164-0001 10/2000

(72) Inventors: **Petteri Masalin**, Helsinki (FI); **Vesa Korjus**, Lahti (FI); **Jouni Salojärvi**, Helsinki (FI); **Egon Missik**, Lahti (FI); **Pirkka Haimi**, Lahti (FI)

OTHER PUBLICATIONS

Russian Office Action and English Translation for Russian Application No. 2012504458, dated Aug. 5, 2013, 6 pages.

(Continued)

(73) Assignee: **Fiskars Brands Finland Oy Ab**, Billnäs (FI)

*Primary Examiner* — Sheryl Lane

(74) *Attorney, Agent, or Firm* — Foley & Lardner LLP

(\*\*) Term: **14 Years**

(21) Appl. No.: **29/440,369**

(57) **CLAIM**

We claim the ornamental design for a snow shovel, as shown and described.

(22) Filed: **Dec. 20, 2012**

(30) **Foreign Application Priority Data**

Jul. 2, 2012 (EM) ..... 002066605-0005

Jul. 2, 2012 (EM) ..... 002066605-0008

(51) **LOC (10) Cl.** ..... **08-01**

(52) **U.S. Cl.**  
USPC ..... **D8/10**

(58) **Field of Classification Search**  
USPC ..... D8/1, 10; 294/49, 54.5, 53.5, 55; 7/116; 56/400.01

See application file for complete search history.

(56) **References Cited**

U.S. PATENT DOCUMENTS

1,445,185 A \* 2/1923 Surbaugh ..... 403/244  
D134,584 S 12/1942 Zetterberg  
D250,083 S 10/1978 Insalaco  
D270,612 S 9/1983 Storlie  
D284,733 S \* 7/1986 Hozumi ..... D8/10  
D325,851 S 5/1992 Davis  
D346,187 S 4/1994 Kino

(Continued)

**DESCRIPTION**

FIG. 1 is a front perspective view of an embodiment of the claimed design;

FIG. 2 is a rear perspective view of the claimed design of FIG. 1;

FIG. 3 is a front elevation view of the claimed design of FIG. 1;

FIG. 4 is a rear elevation view of the claimed design of FIG. 1;

FIG. 5 is a right side view of the claimed design of FIG. 1;

FIG. 6 is a left side view of the claimed design of FIG. 1;

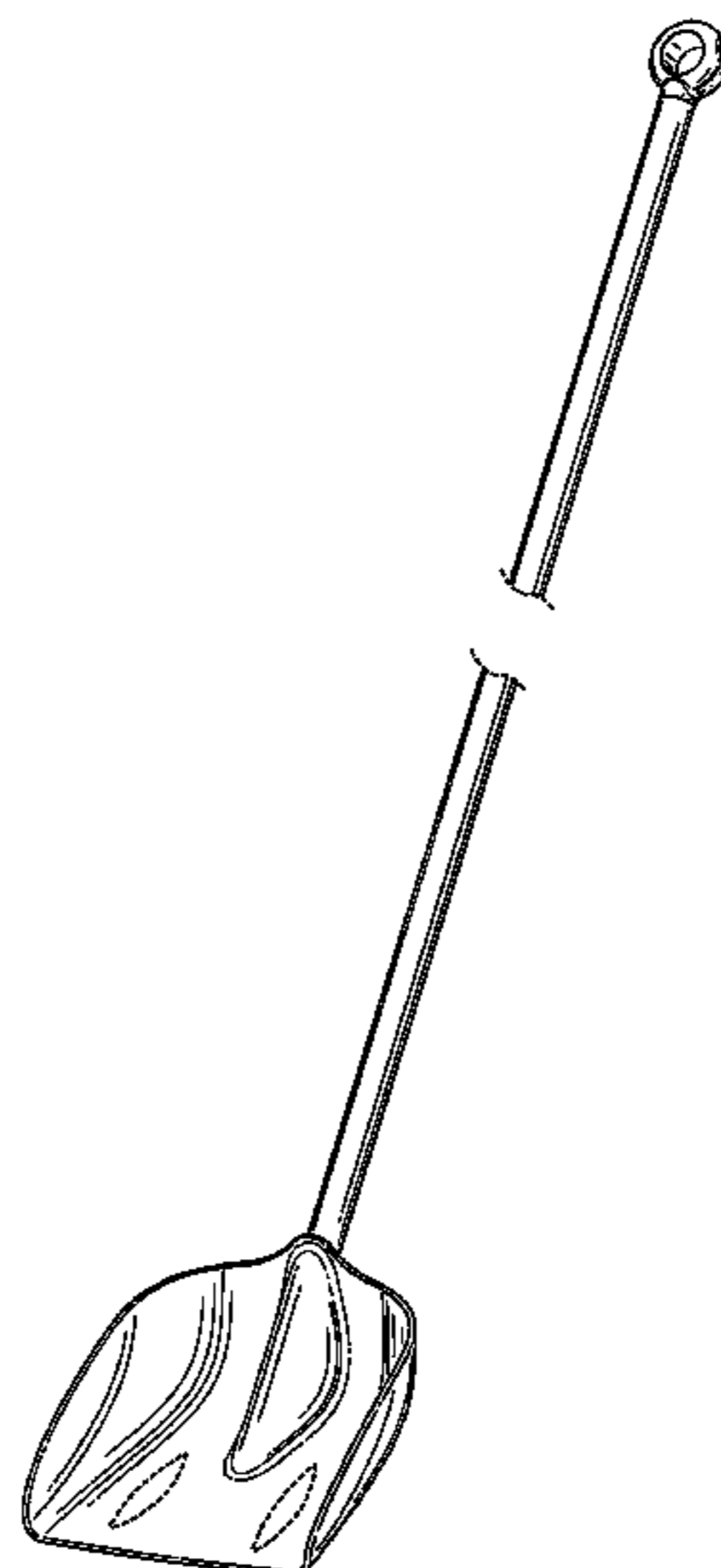
FIG. 7 is a top view of the claimed design of FIG. 1; and,

FIG. 8 is a bottom view of the claimed design of FIG. 1.

The broken lines represent portions of the snow shovel and form no part of the claimed design.

The snow shovel is shown with an illustrative break in the handle. The portion between the break lines forms no part of the claimed design.

**1 Claim, 6 Drawing Sheets**



(56)

**References Cited**

U.S. PATENT DOCUMENTS

D353,978 S	1/1995	Sargeant	
D395,927 S	7/1998	Freelander	
D412,429 S *	8/1999	Toft .....	D8/10
D413,774 S *	9/1999	Spear .....	D8/10
D565,366 S *	4/2008	Buscher .....	D8/10
D569,697 S	5/2008	Baker	

OTHER PUBLICATIONS

Russian Office Action and English Translation for Russian Application No. 2012504453, dated Aug. 5, 2013, 9 pages.

Notice of Allowance on U.S. Appl. No. 29/479,953, mail date Mar. 27, 2014, 9 pages.

\* cited by examiner

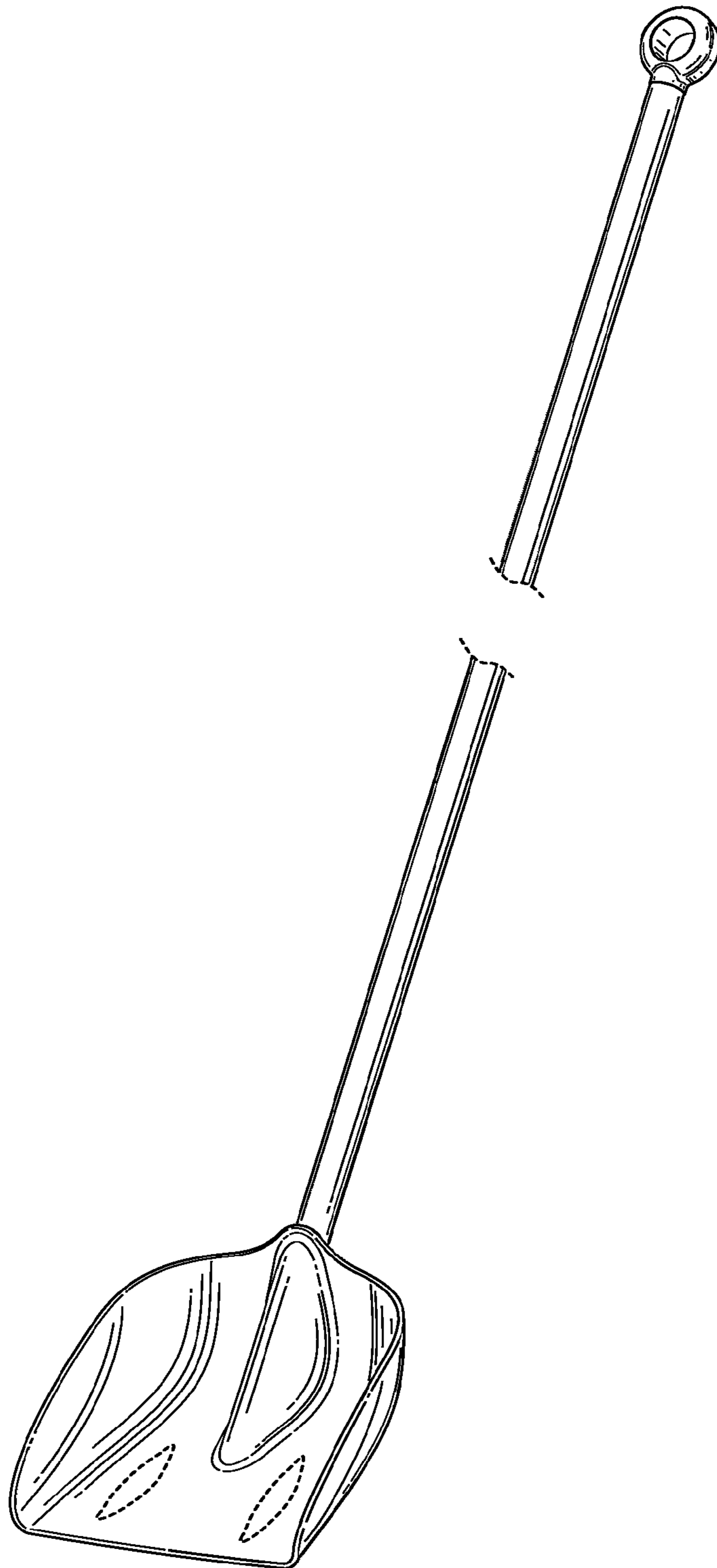


FIG. 1

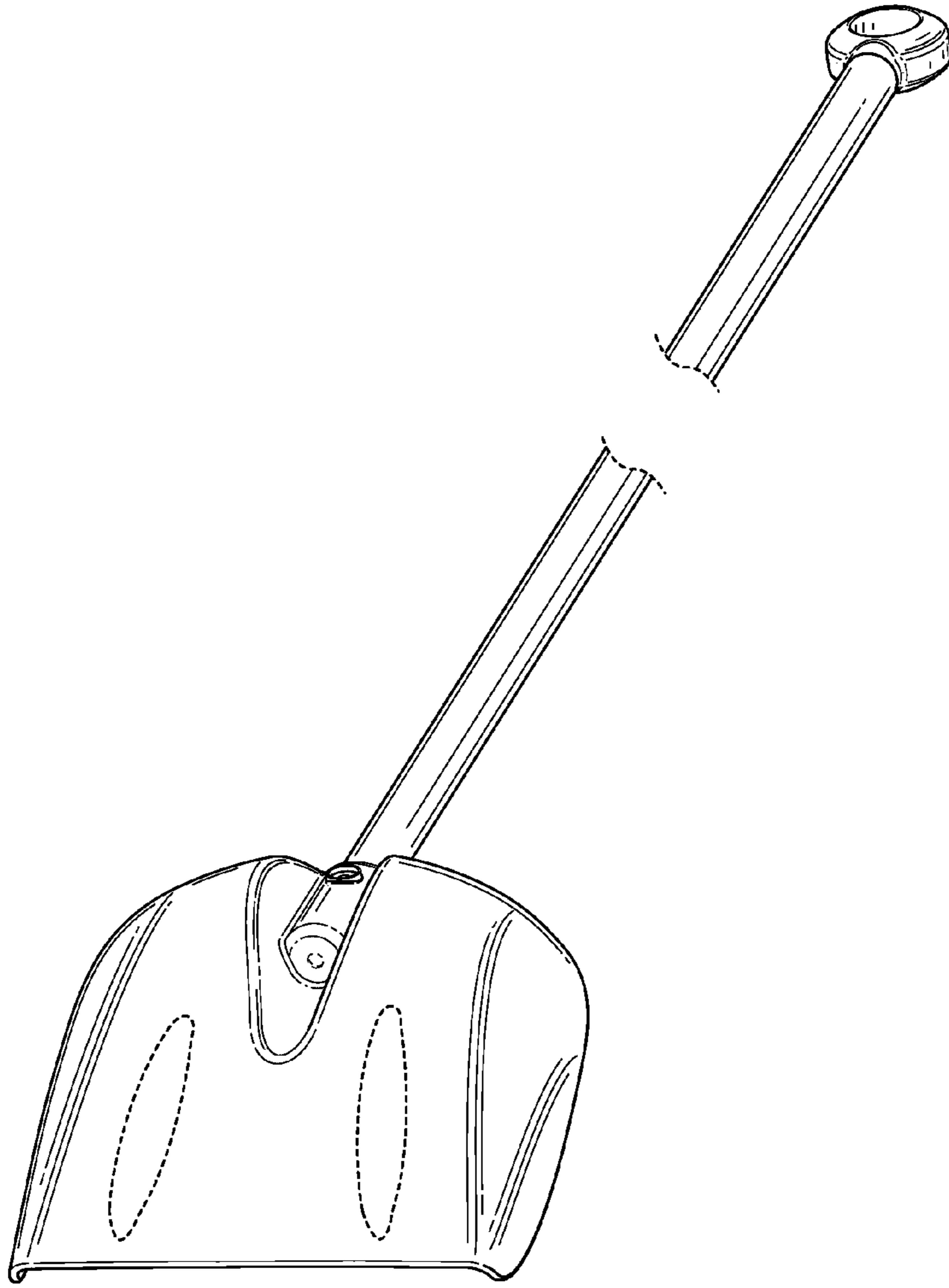


FIG. 2

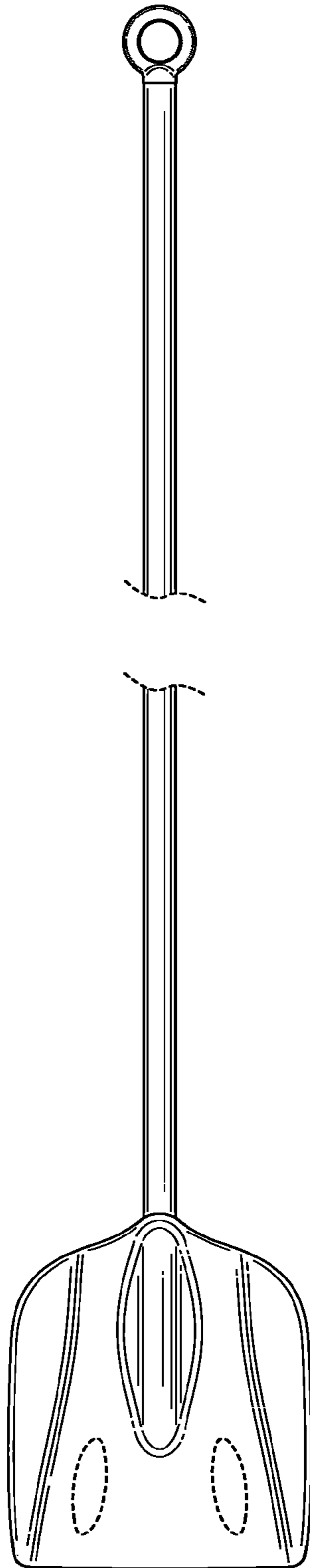


FIG. 3

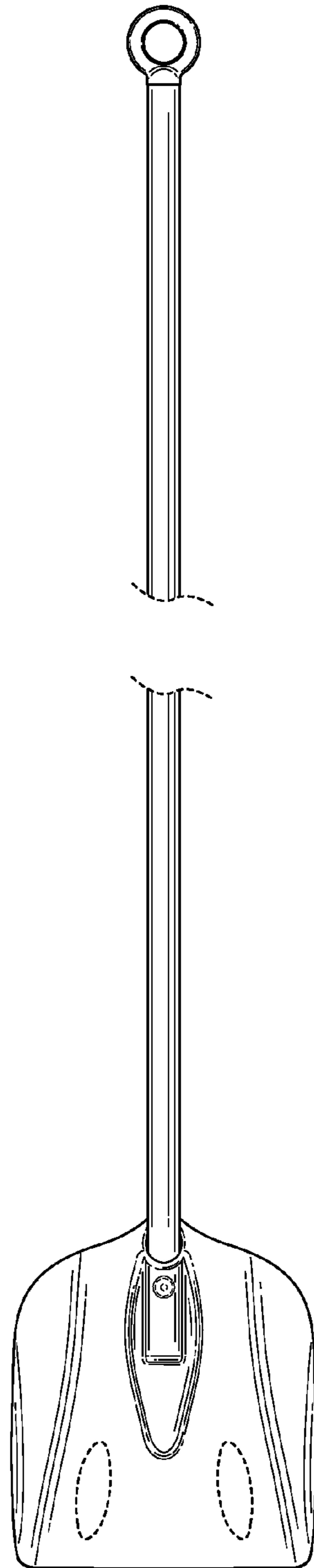


FIG. 4

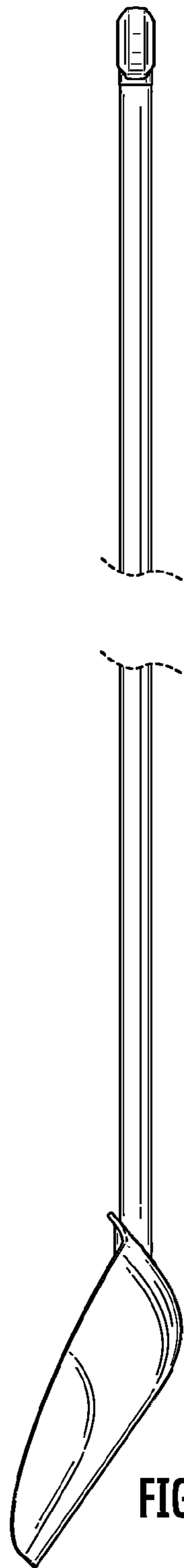


FIG. 5

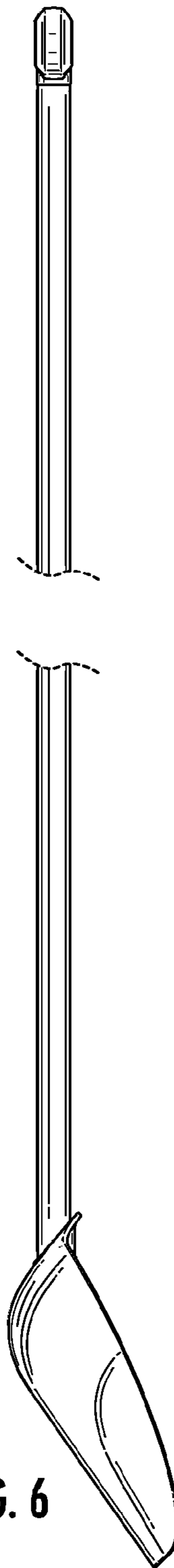


FIG. 6

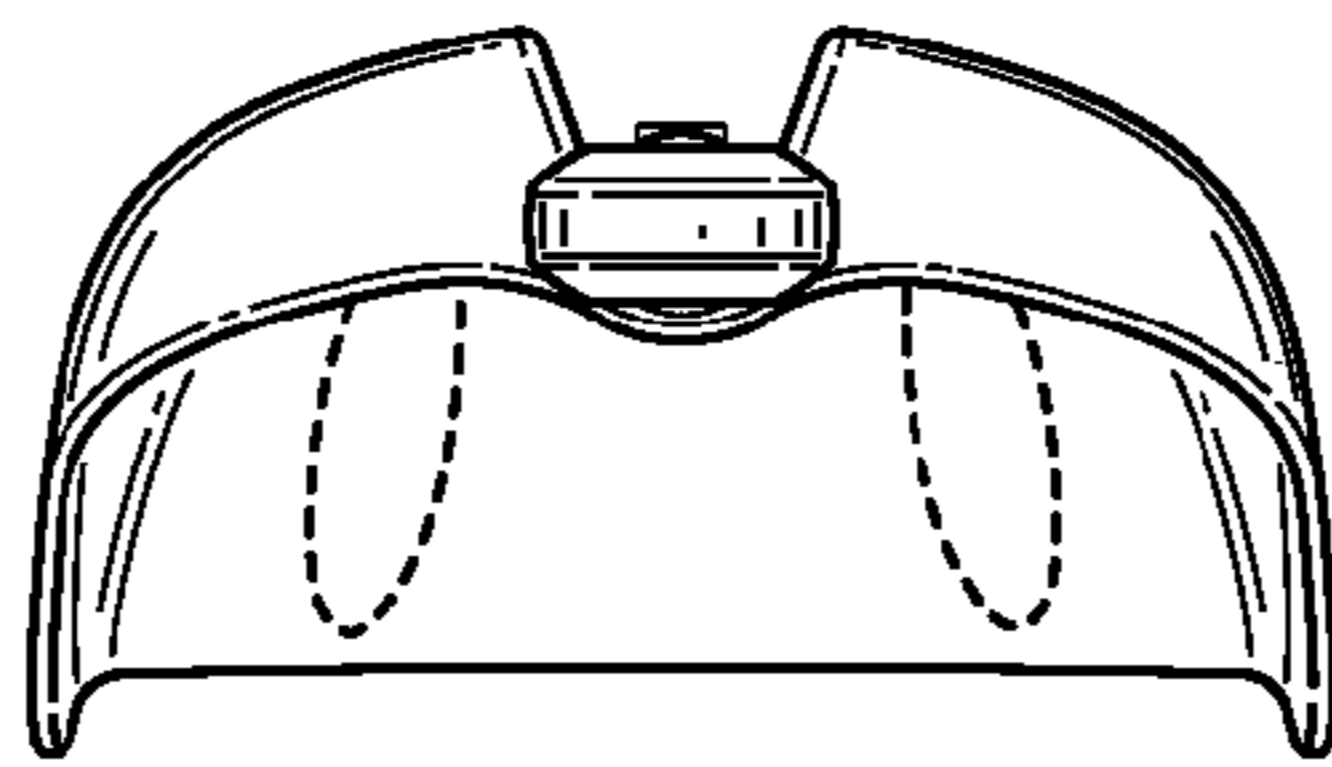


FIG. 7

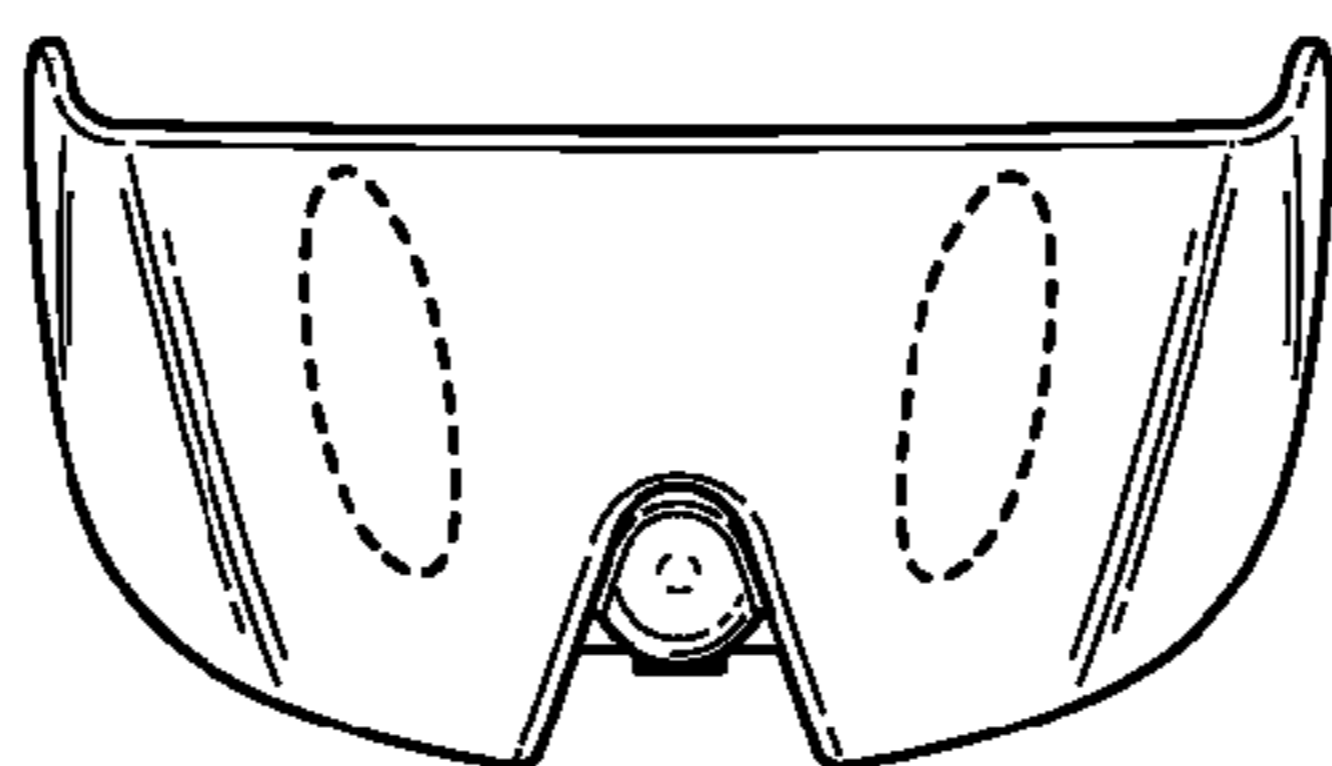


FIG. 8