



US00D718099S

(12) **United States Design Patent**
Cruson et al.

(10) **Patent No.:** **US D718,099 S**

(45) **Date of Patent:** **** Nov. 25, 2014**

(54) **FURROWING OPENER**

(71) Applicant: **Dutch Blacksmith Shop Ltd.**, Pilot Butte (CA)

(72) Inventors: **Brian Cruson**, Pilot Butte (CA); **Clark Behrns**, Pilot Butte (CA); **Ian Bodnaryk**, Pilot Butte (CA)

(73) Assignee: **Dutch Blacksmith Shop Ltd.**, Pilot Butte, Saskatchewan (CA)

(**) Term: **14 Years**

(21) Appl. No.: **29/467,543**

(22) Filed: **Sep. 20, 2013**

(51) **LOC (10) Cl.** **08-01**

(52) **U.S. Cl.**
USPC **D8/1**

(58) **Field of Classification Search**
USPC D8/1, 7, 2; 11/124, 150, 152; 172/699
See application file for complete search history.

(56) **References Cited**

U.S. PATENT DOCUMENTS

D377,299 S * 1/1997 McGill D8/1
6,332,412 B1 * 12/2001 Swab et al. 111/152

6,405,665 B1 * 6/2002 Henry et al. 111/152
7,096,803 B2 * 8/2006 Bergen 111/124
D572,546 S * 7/2008 Stahm D8/1
7,617,783 B1 * 11/2009 Cruson 111/150
8,342,109 B2 * 1/2013 Senchuk et al. 111/150
8,453,586 B2 * 6/2013 Cruson 111/124
8,544,396 B1 * 10/2013 Anderson 111/152

* cited by examiner

Primary Examiner — Sheryl Lane

(74) *Attorney, Agent, or Firm* — Ryan W. Dupuis; Kyle R. Satterthwaite; Ade & Company, Inc.

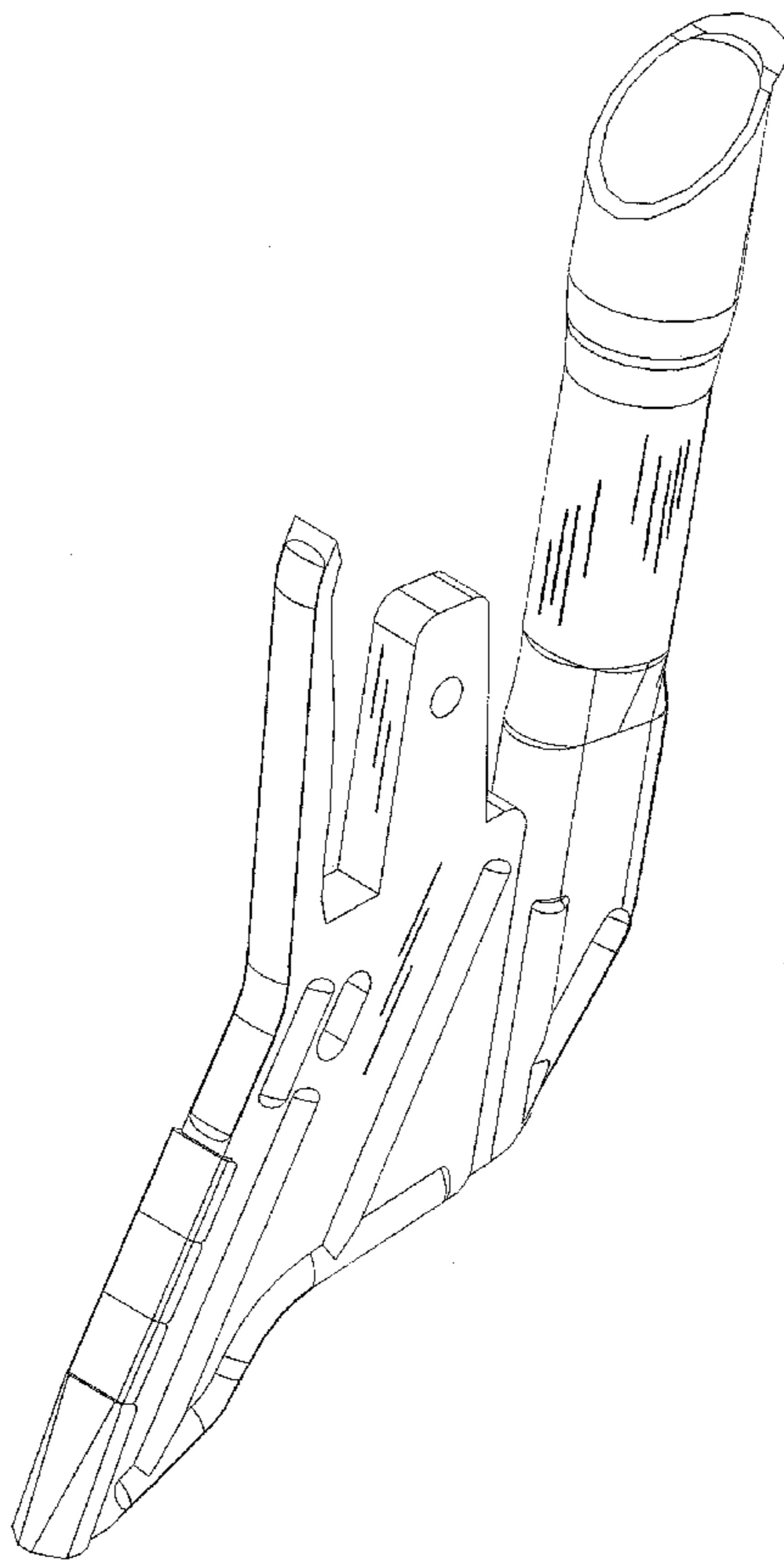
(57) **CLAIM**

The ornamental design for a furrowing opener, as shown and described.

DESCRIPTION

FIG. 1 is perspective view of the furrowing opener;
FIG. 2 is a front elevational view of the furrowing opener;
FIG. 3 is a right side elevational view of the furrowing opener;
FIG. 4 is a rear elevational view of the furrowing opener;
FIG. 5 is a left side elevational view of the furrowing opener;
FIG. 6 is a bottom view of the furrowing opener; and,
FIG. 7 is a top view of the furrowing opener.

1 Claim, 7 Drawing Sheets



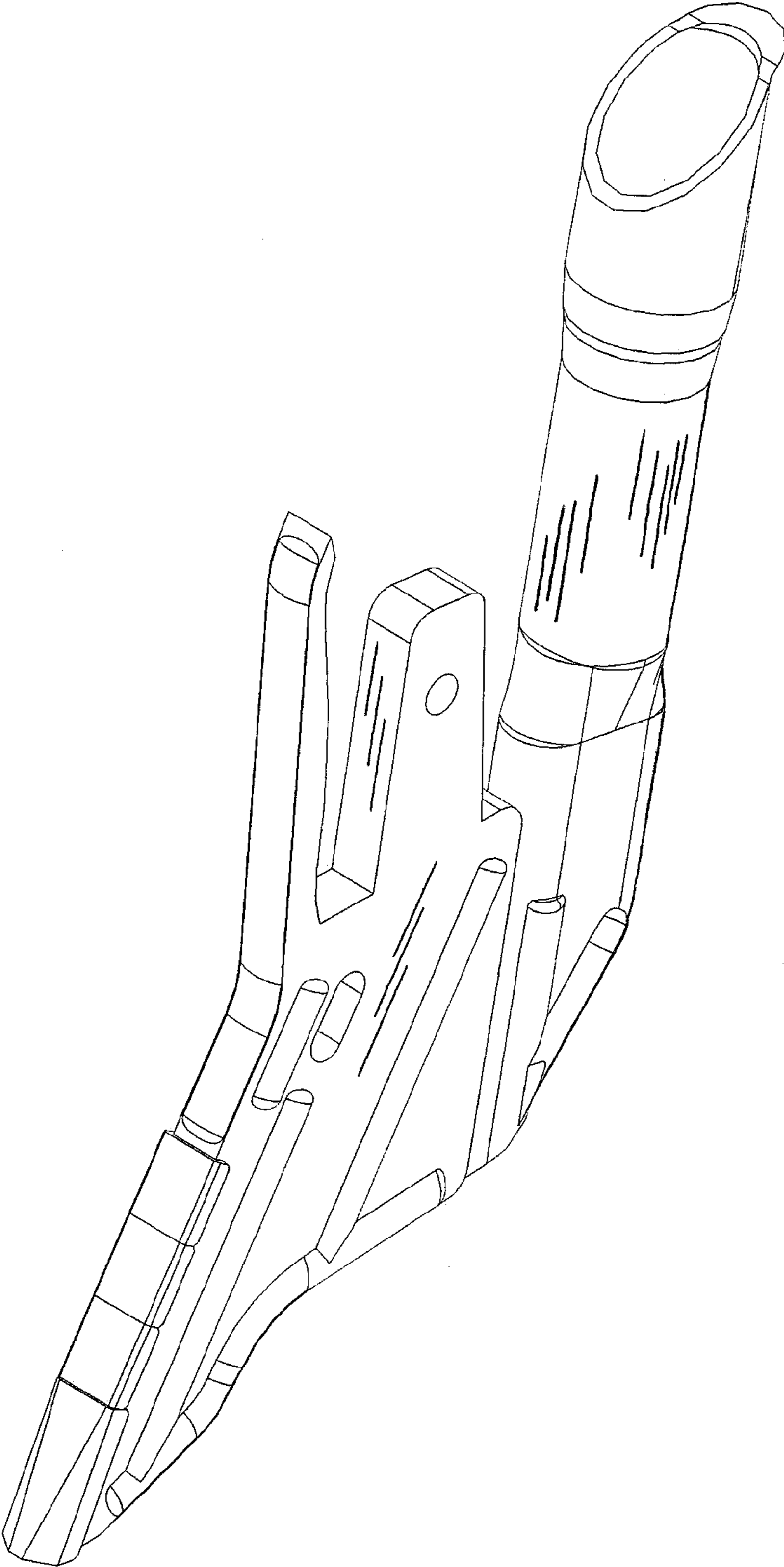


FIG. 1

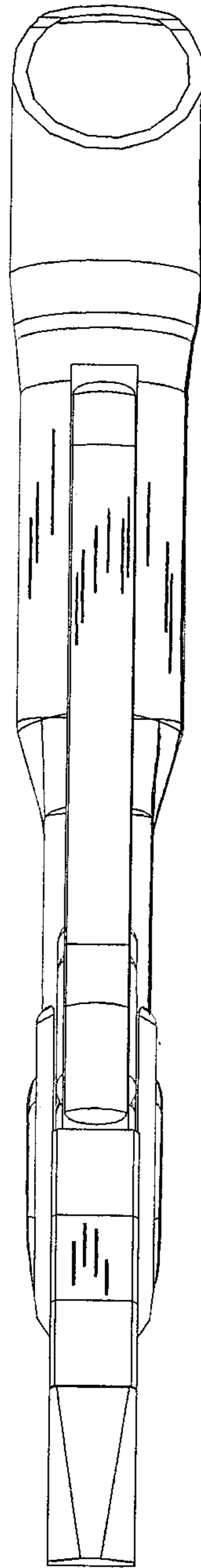


FIG. 2

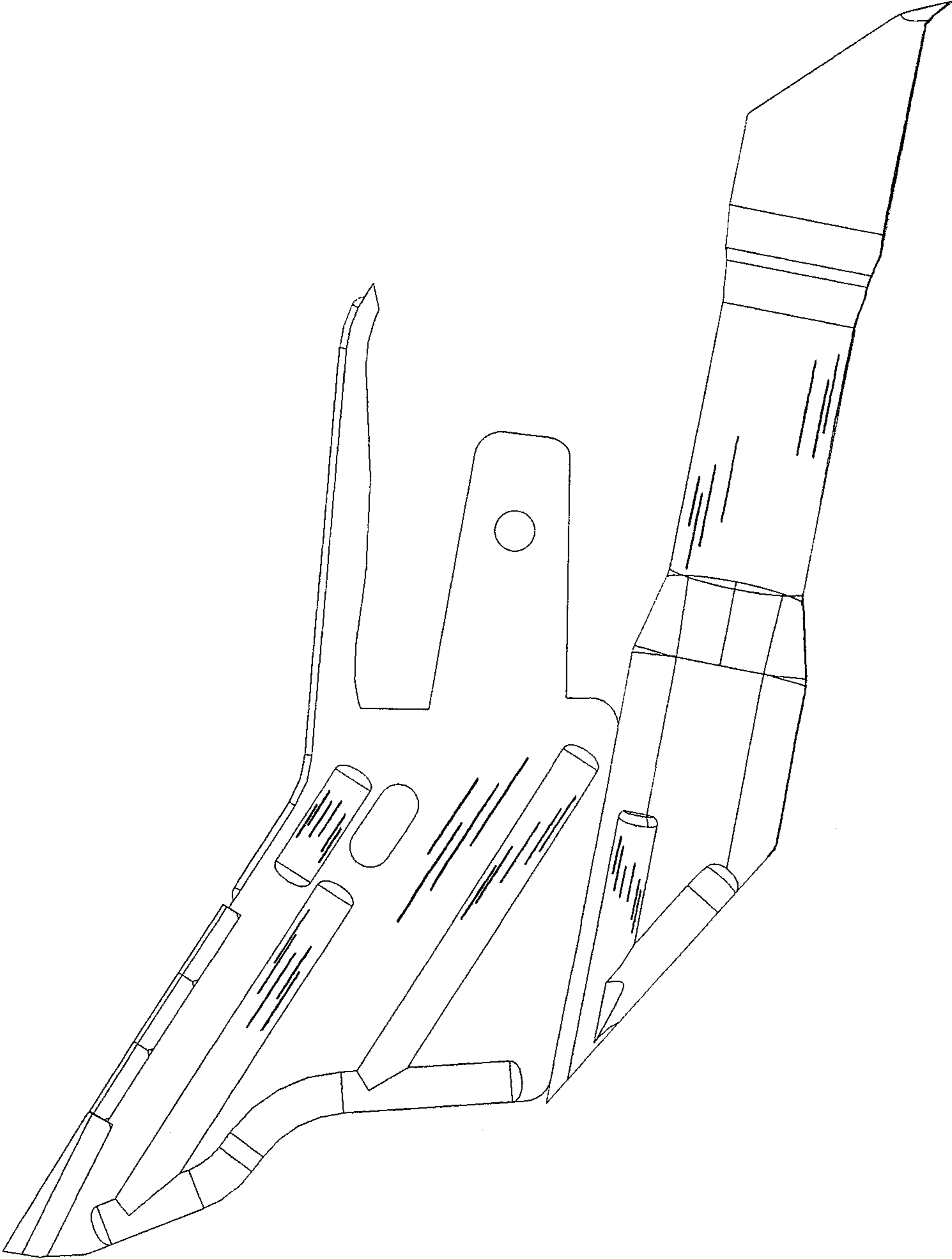


FIG. 3

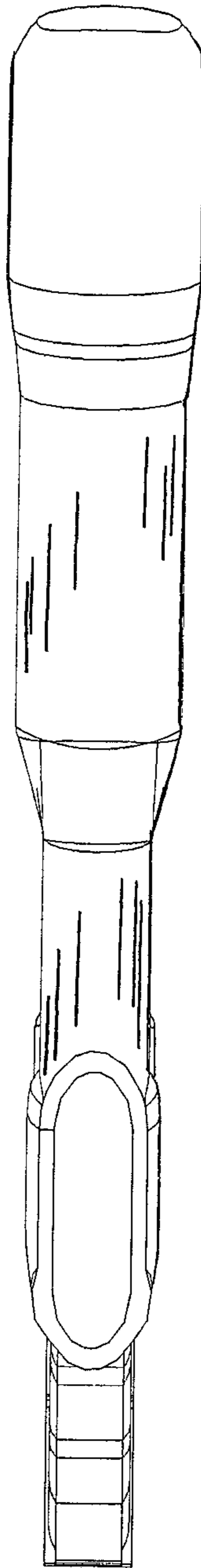


FIG. 4

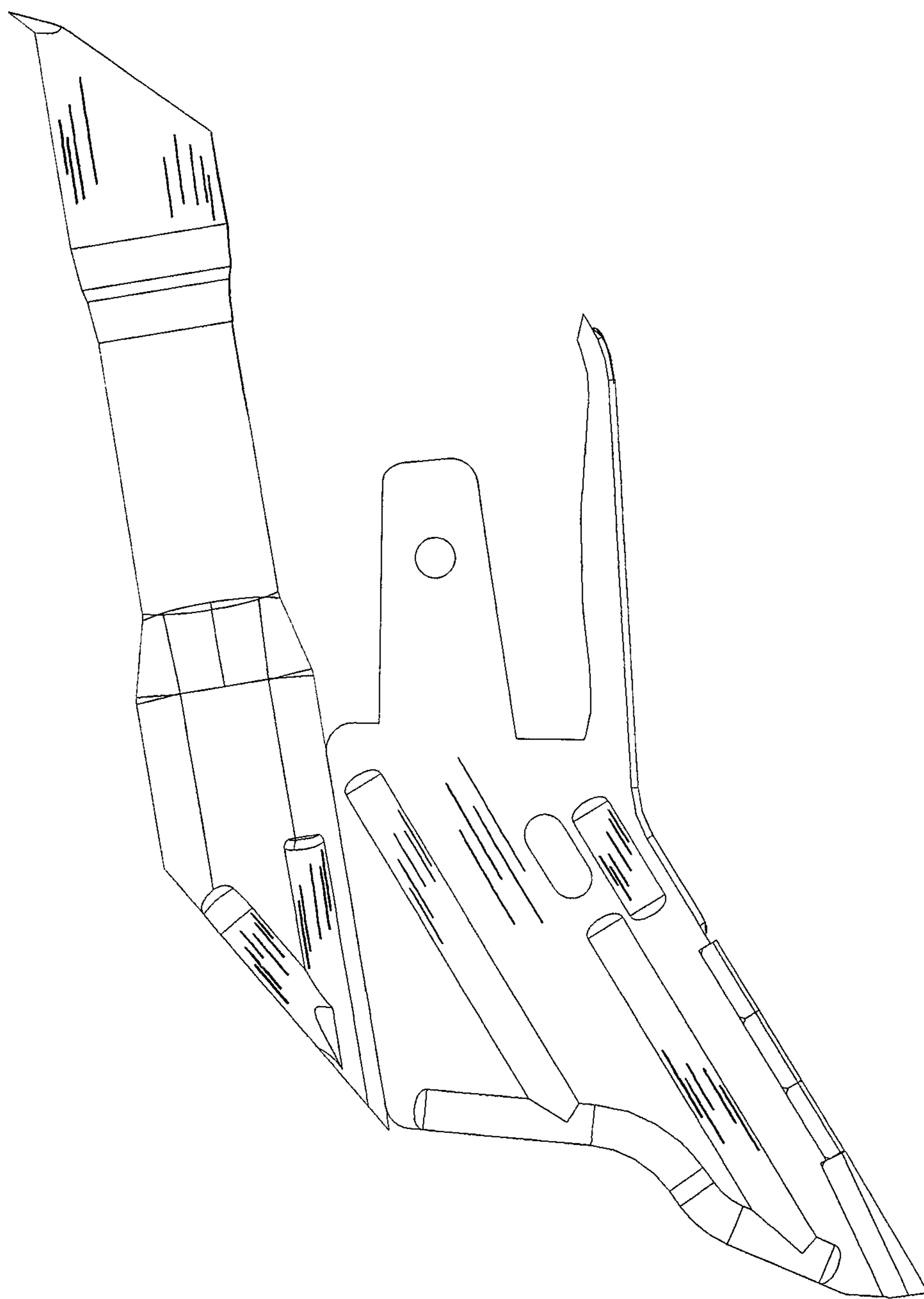


FIG. 5

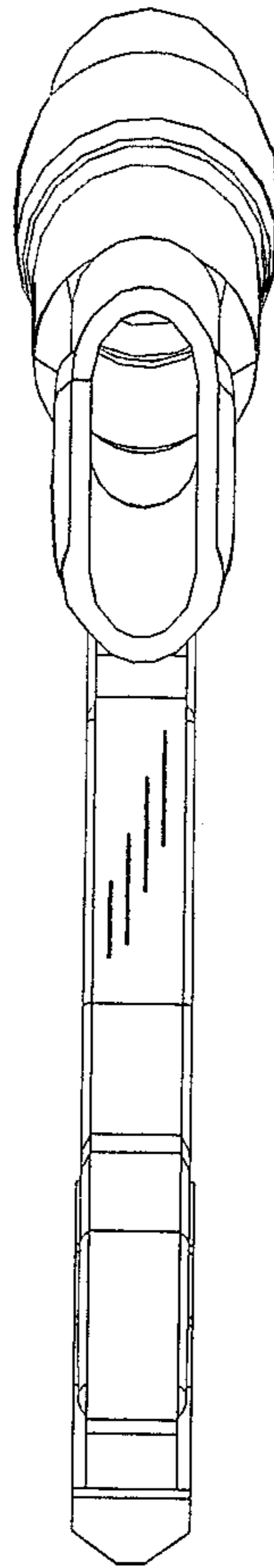


FIG. 6

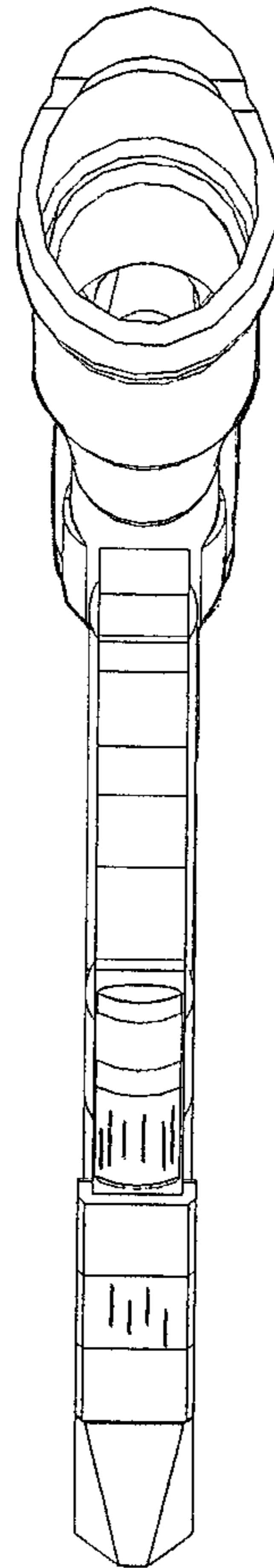


FIG. 7