



US00D718096S

(12) **United States Design Patent**
Smith

(10) **Patent No.:** **US D718,096 S**

(45) **Date of Patent:** **** Nov. 25, 2014**

(54) **CAKE SLICER**

(71) Applicant: **Bruce G. Smith**, Murrells Inlet, SC (US)

(72) Inventor: **Bruce G. Smith**, Murrells Inlet, SC (US)

(**) Term: **14 Years**

(21) Appl. No.: **29/491,560**

(22) Filed: **May 22, 2014**

(51) **LOC (10) Cl.** **07-04**

(52) **U.S. Cl.**

USPC **D7/673**

(58) **Field of Classification Search**

CPC D26D 3/24

USPC D7/672-677; 83/651.1; 30/114-117,
30/165, 277, 302, 303, 305

See application file for complete search history.

(56) **References Cited**

U.S. PATENT DOCUMENTS

| | | | | | |
|-----------|-----|---------|--------------|-------|--------|
| 2,403,190 | A * | 7/1946 | Parraga | | 30/303 |
| 2,824,588 | A * | 2/1958 | Lyon et al. | | 30/114 |
| D246,411 | S * | 11/1977 | Blanchard | | D7/673 |
| 4,195,402 | A * | 4/1980 | Leffer | | 30/114 |
| 4,411,066 | A | 10/1983 | Allahverdian | | |

| | | | |
|--------------|----|---------|----------------|
| 4,625,607 | A | 12/1986 | Maillez |
| 4,637,138 | A | 1/1987 | Piché |
| D358,969 | S | 6/1995 | Romanoff |
| 7,266,894 | B1 | 9/2007 | Hinckley |
| D589,310 | S | 3/2009 | Carrell |
| D632,140 | S | 2/2011 | Burstein |
| 2004/0025651 | A1 | 2/2004 | Bachman et al. |

* cited by examiner

Primary Examiner — Terry Wallace

(74) *Attorney, Agent, or Firm* — P. Jeff Martin; The Law Firm of P. Jeffrey Martin, LLC

(57) **CLAIM**

The ornamental design for a cake slicer, as shown and described.

DESCRIPTION

FIG. 1 is a top perspective view of a cake slicer showing my new design;

FIG. 2 is a right side view thereof;

FIG. 3 is a left side view thereof;

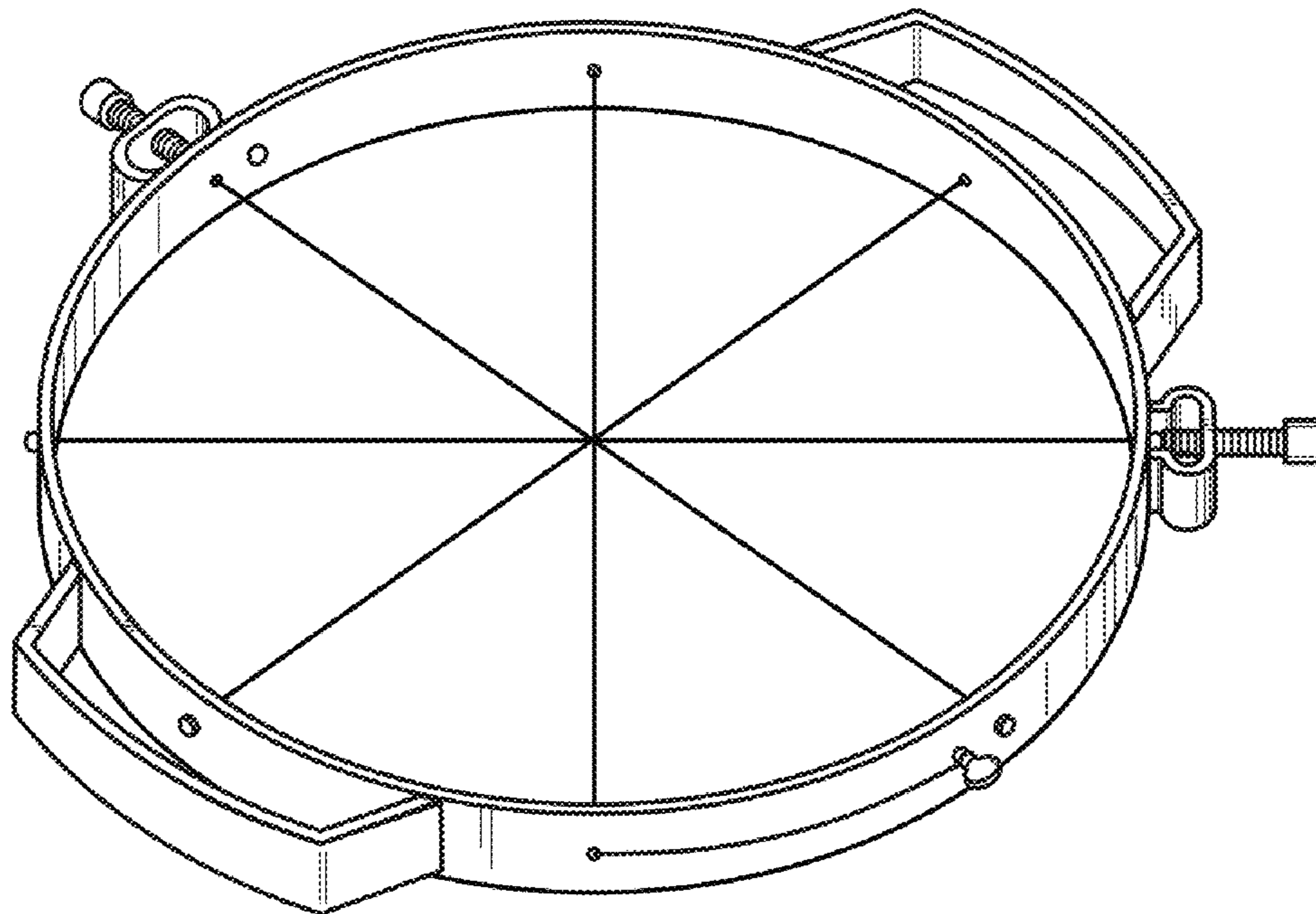
FIG. 4 is a front view thereof;

FIG. 5 is a rear view of thereof;

FIG. 6 is a top plan view thereof; and,

FIG. 7 is a bottom plan view thereof.

1 Claim, 2 Drawing Sheets



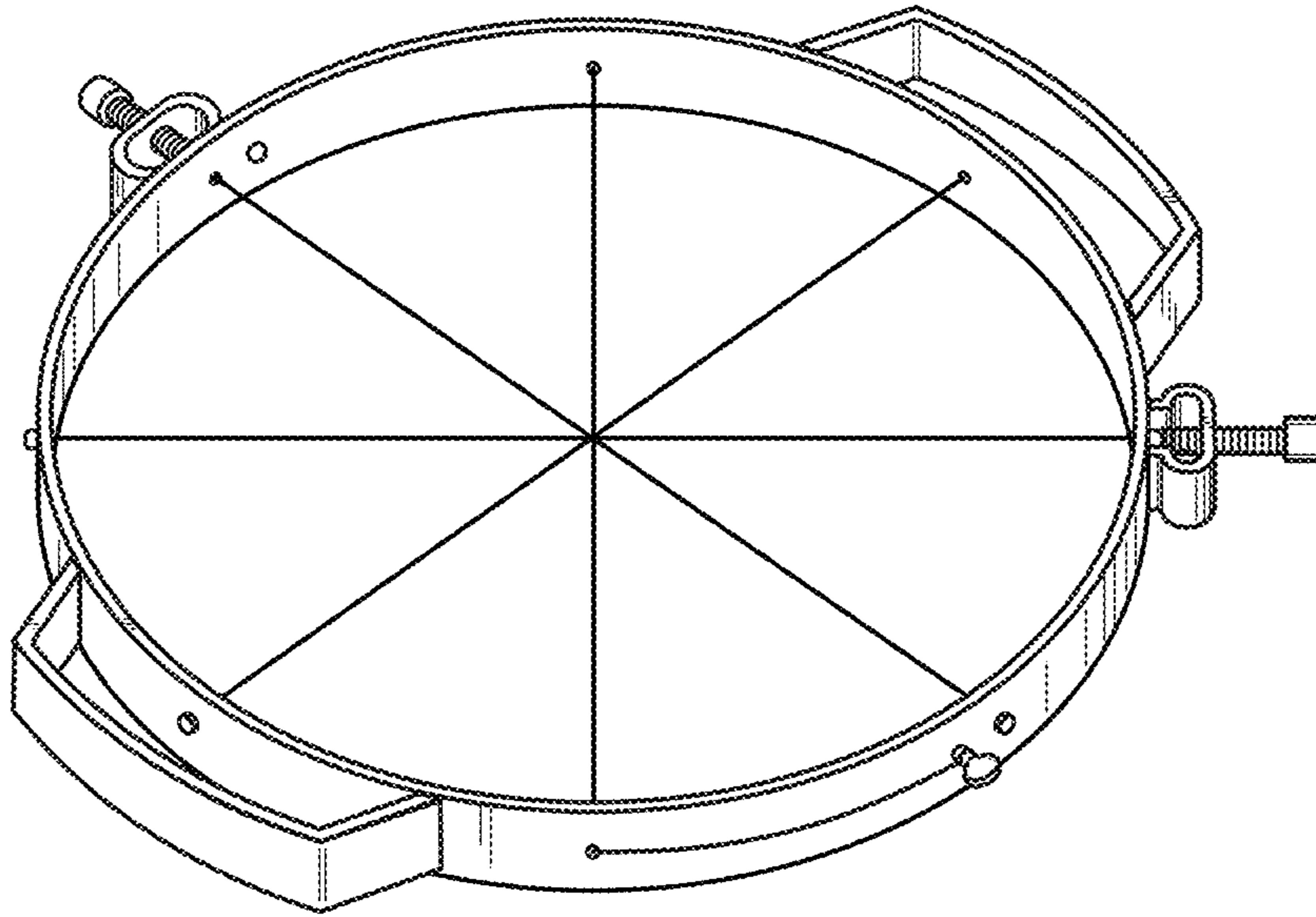


FIG. 1



FIG. 2



FIG. 3



FIG. 4

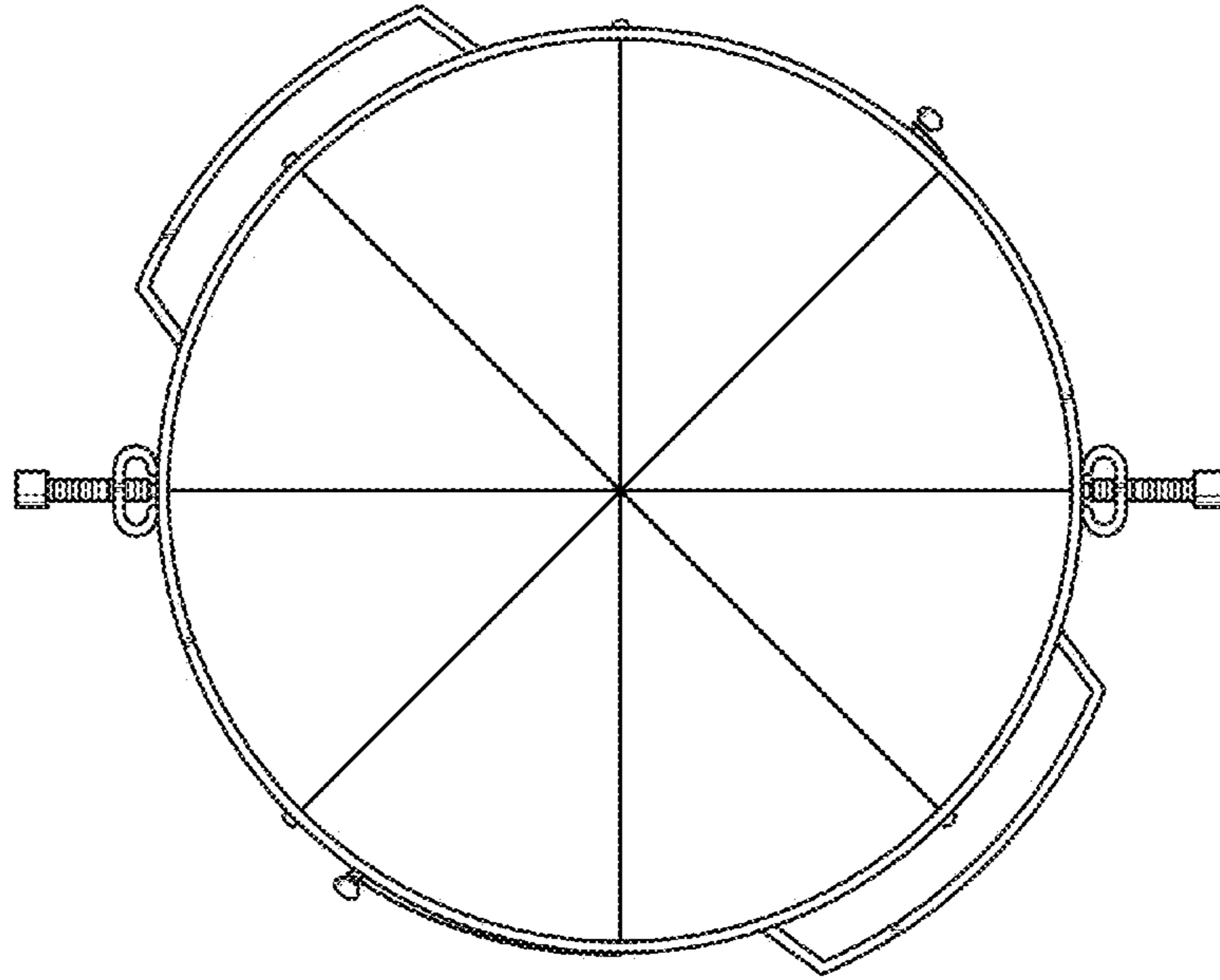


FIG. 7



FIG. 5

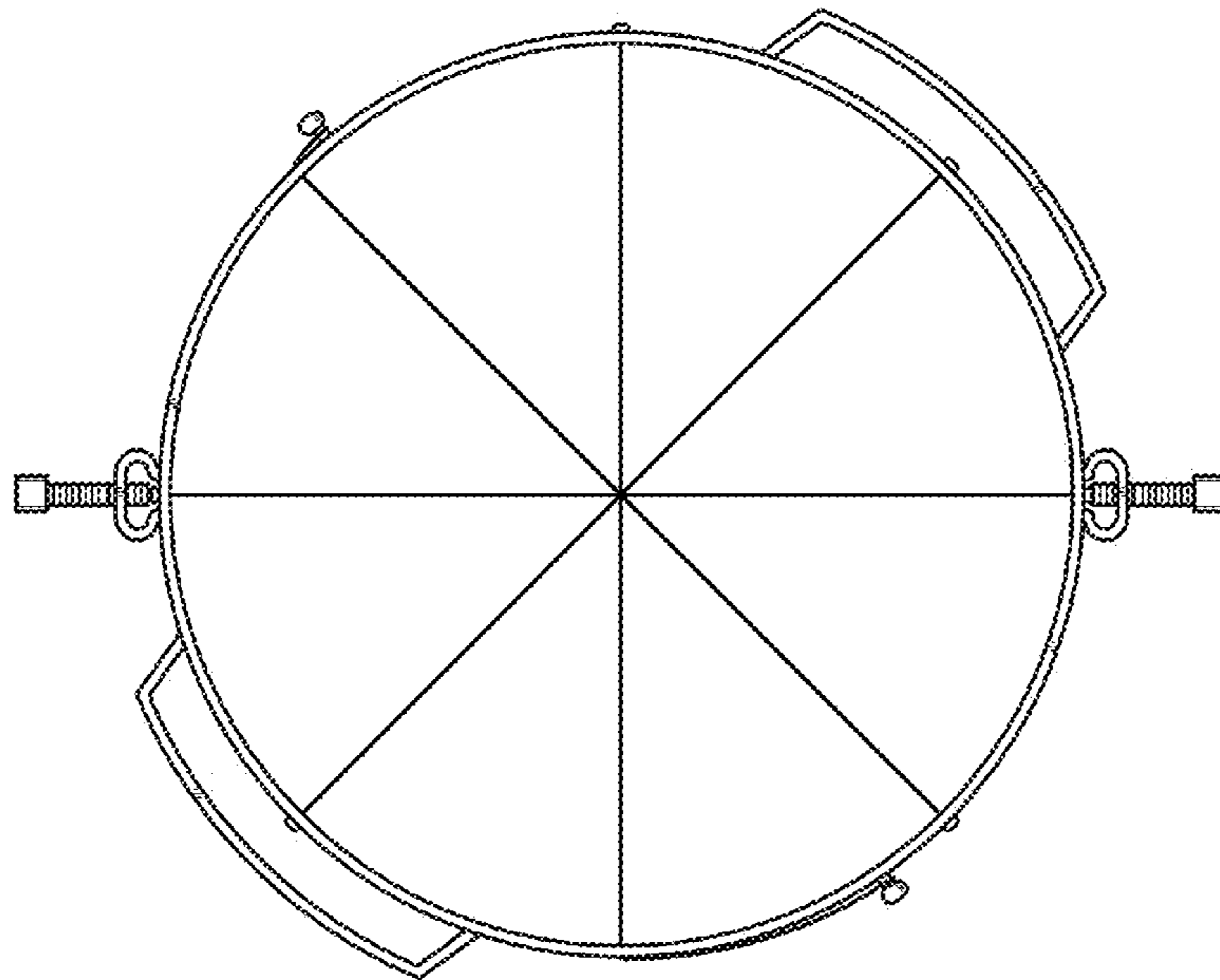


FIG. 6