



US00D718095S

(12) **United States Design Patent**  
**Sullivan, Jr. et al.**

(10) **Patent No.:** **US D718,095 S**  
(45) **Date of Patent:** **\*\* Nov. 25, 2014**

- (54) **DEVICE FOR HANDLING BAKEWARE**
- (71) Applicant: **The Handlr, LLC**, New York, NY (US)
- (72) Inventors: **Richard J. Sullivan, Jr.**, Sag Harbor, NY (US); **Scott William Smith**, Sag Harbor, NY (US)
- (73) Assignee: **The Handlr, LLC**, New York, NY (US)
- (\*\*) Term: **14 Years**
- (21) Appl. No.: **29/487,837**
- (22) Filed: **Apr. 11, 2014**

784,803 A	3/1905	Moylan	
865,917 A *	9/1907	Kuehnlein	294/33
1,541,738 A *	6/1925	Peyton	294/29
1,551,592 A	9/1925	Weatherford	

(Continued)

**FOREIGN PATENT DOCUMENTS**

FR 1326544 A 5/1963

**OTHER PUBLICATIONS**

The above U.S. patent documents and French foreign patent document were cited in a European Search Report issued on May 27, 2014, which is enclosed, that issued in the corresponding European Patent Application No. 14164951.7.

(Continued)

*Primary Examiner* — Terry Wallace

(74) *Attorney, Agent, or Firm* — Cowan, Liebowitz & Latman, P.C.; Mark Montague, Esq.; Serge Krimnus, Esq.

(57) **CLAIM**

The ornamental design for a device for handling bakeware, as shown and described.

**DESCRIPTION**

FIG. 1 is a top perspective view of the device for handling bakeware showing my new design.  
 FIG. 2 is a front elevation view thereof.  
 FIG. 3 is a rear elevation view thereof.  
 FIG. 4 is a top plan view thereof.  
 FIG. 5 is a right side elevation view thereof.  
 FIG. 6 is a bottom plan view thereof.  
 FIG. 7 is a left side elevation view thereof; and,  
 FIG. 8 is a top perspective view thereof.  
 The broken lines are for illustrative purposes only and form no part of the claimed design.

**1 Claim, 4 Drawing Sheets**

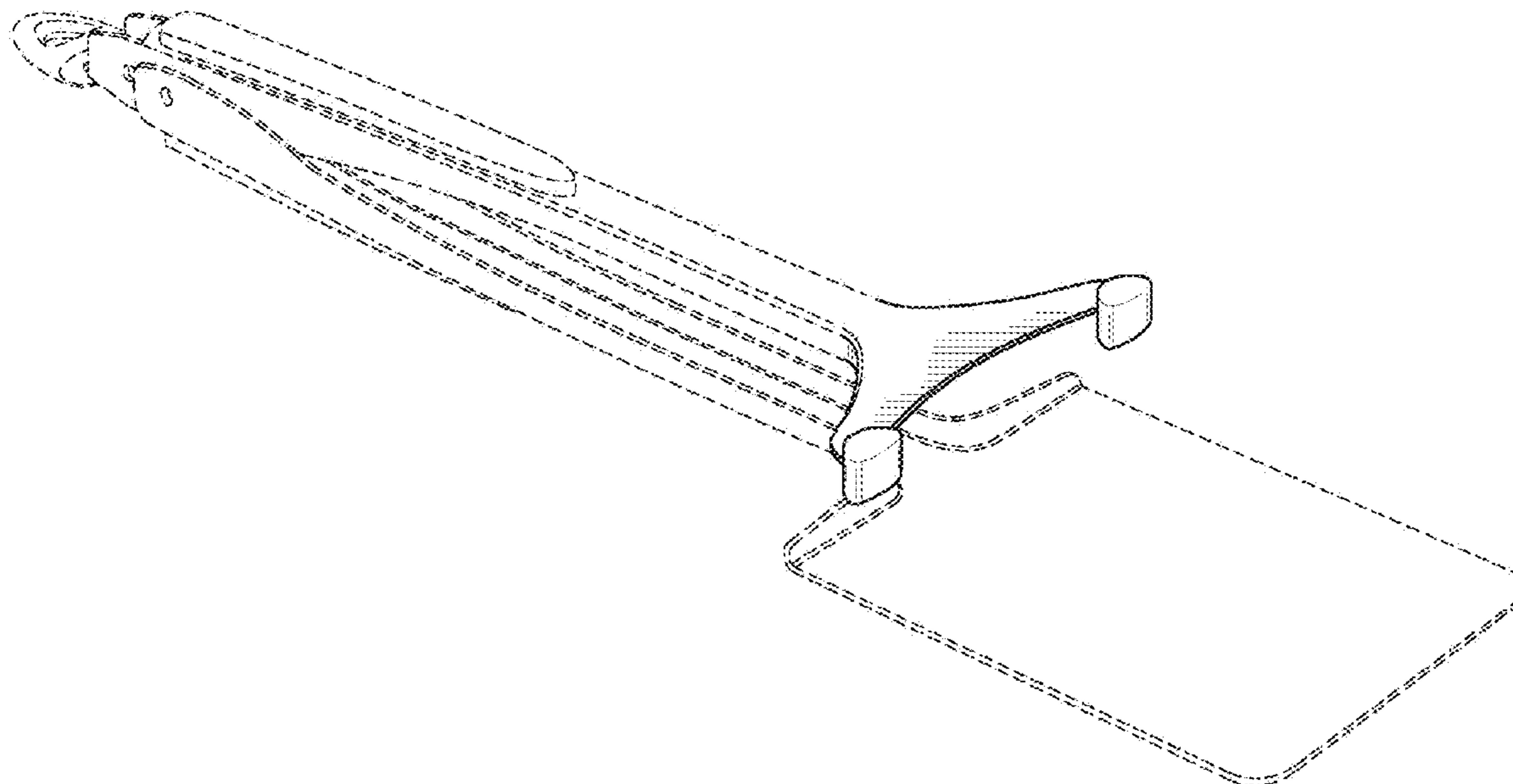
**Related U.S. Application Data**

- (63) Continuation-in-part of application No. 14/171,406, filed on Feb. 3, 2014, and a continuation-in-part of application No. 29/470,267, filed on Oct. 18, 2013.
- (51) **LOC (10) Cl.** ..... **07-04**
- (52) **U.S. Cl.**  
USPC ..... **D7/669**
- (58) **Field of Classification Search**  
CPC ..... A47J 45/10  
USPC ..... D7/669, 368, 680–696, 393, 395;  
294/3, 27.1, 29, 33, 34, 31.1, 118, 119,  
294/99.1, 99.2; 220/573.1  
See application file for complete search history.

(56) **References Cited**

**U.S. PATENT DOCUMENTS**

116,330 A	6/1871	Collamore et al.	
156,563 A *	11/1874	Goodrich et al.	294/29
475,363 A	5/1892	Traylor	
572,031 A	11/1896	Rush	
629,799 A	8/1899	Marsh	



(56)

**References Cited**

U.S. PATENT DOCUMENTS

2,200,432	A *	5/1940	Reed .....	294/29
2,217,319	A *	10/1940	Poole et al. ....	294/99.2
2,232,941	A *	2/1941	Fender .....	30/279.6
2,333,564	A	11/1943	Hargrave	
2,705,166	A	3/1955	Garrison	
2,733,947	A *	2/1956	Smith .....	294/34
3,272,547	A	9/1966	Pryce	
3,598,438	A *	8/1971	Taft .....	294/29
D262,346	S	12/1981	Riggles, Jr. et al.	
4,753,472	A *	6/1988	Fout .....	294/32
5,865,489	A	2/1999	Kobas	
D601,390	S	10/2009	Kiraly	
2003/0155785	A1 *	8/2003	Kitagawa et al. ....	294/15

OTHER PUBLICATIONS

Ebay, Norpro Grip-Ez Grab And Lift Tong Spatula Gripper Pick New, [http://www.ebay.com/itm/Norpro-Grip-Ez-Grab-And-Lift-Tong-Spatula-Gripper-Pick-New-/370988869381?pt=LH\\_DefaultDomain\\_0&hash=item5660a8e705#ht\\_1833wt\\_986](http://www.ebay.com/itm/Norpro-Grip-Ez-Grab-And-Lift-Tong-Spatula-Gripper-Pick-New-/370988869381?pt=LH_DefaultDomain_0&hash=item5660a8e705#ht_1833wt_986).

Ebay, IMCG NC3985 High Grade Stainless Steel Pizza Grip Tongs, [http://www.ebay.com/itm/IMCG-NC3985-High-Grade-Stainless-Steel-Pizza-Grip-Tongs-/390732960754?pt=LH\\_DefaultDomain\\_0&hash=item5af97fd3f2#ht\\_1610wt\\_1224](http://www.ebay.com/itm/IMCG-NC3985-High-Grade-Stainless-Steel-Pizza-Grip-Tongs-/390732960754?pt=LH_DefaultDomain_0&hash=item5af97fd3f2#ht_1610wt_1224).

Ebay, pizza pan shallow pan gripper /PPG-S/2030158ne213, [http://www.ebay.com/itm/pizza-pan-shallow-pan-gripper-PPG-S-2030158ne213-/321279327092?pt=UK\\_BOI\\_Restaurant\\_RL&hash=item4acdbd7b74#ht\\_96wt\\_1224](http://www.ebay.com/itm/pizza-pan-shallow-pan-gripper-PPG-S-2030158ne213-/321279327092?pt=UK_BOI_Restaurant_RL&hash=item4acdbd7b74#ht_96wt_1224).

\* cited by examiner

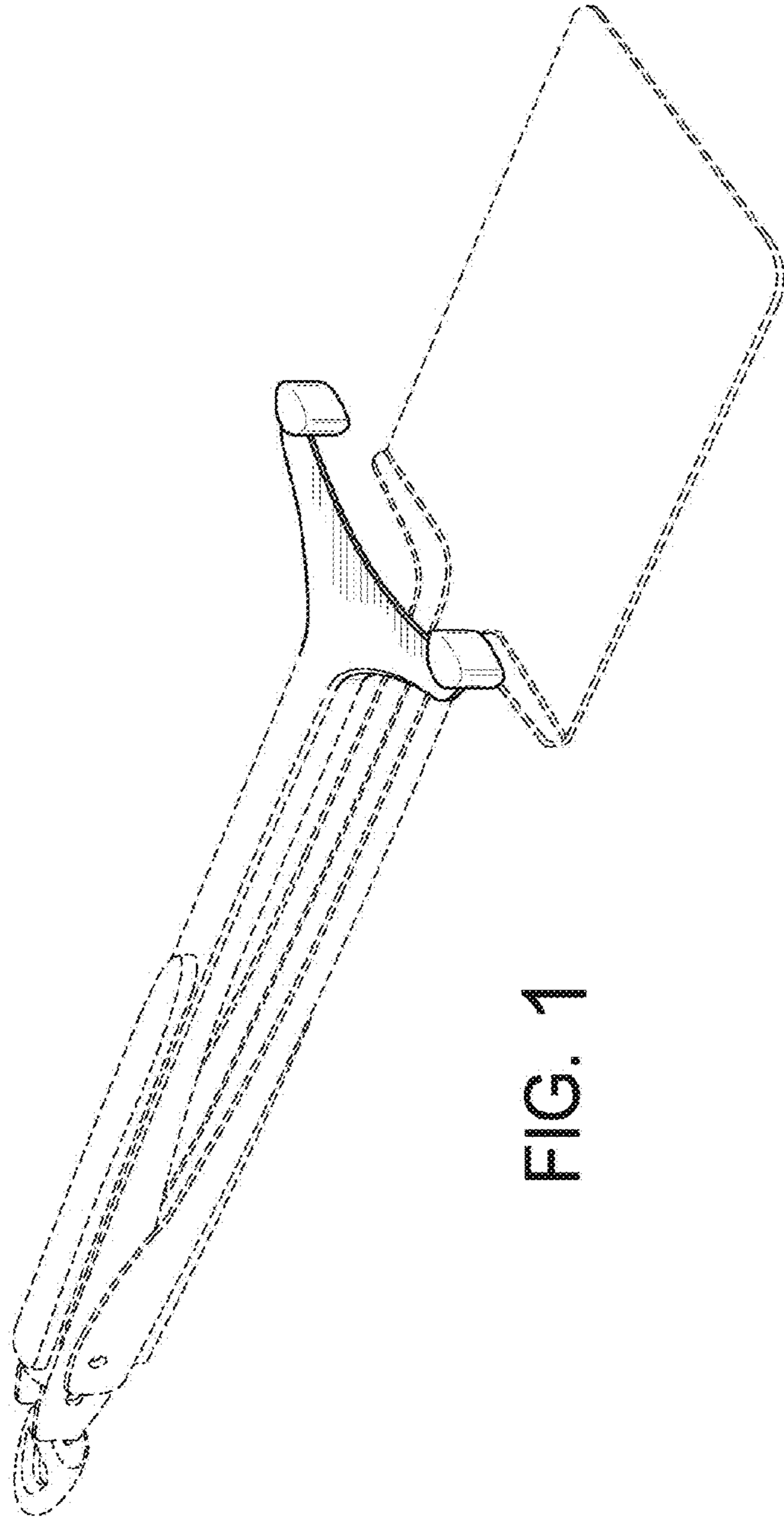


FIG. 1

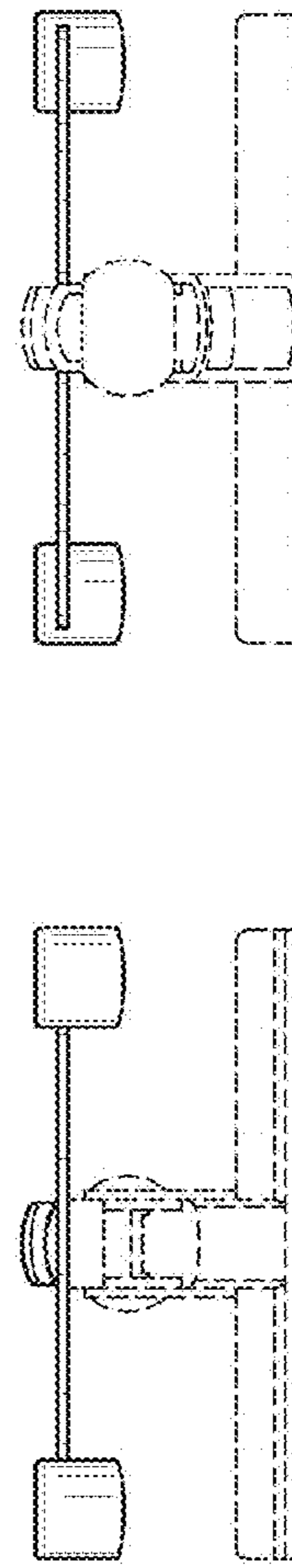


FIG. 2

FIG. 3

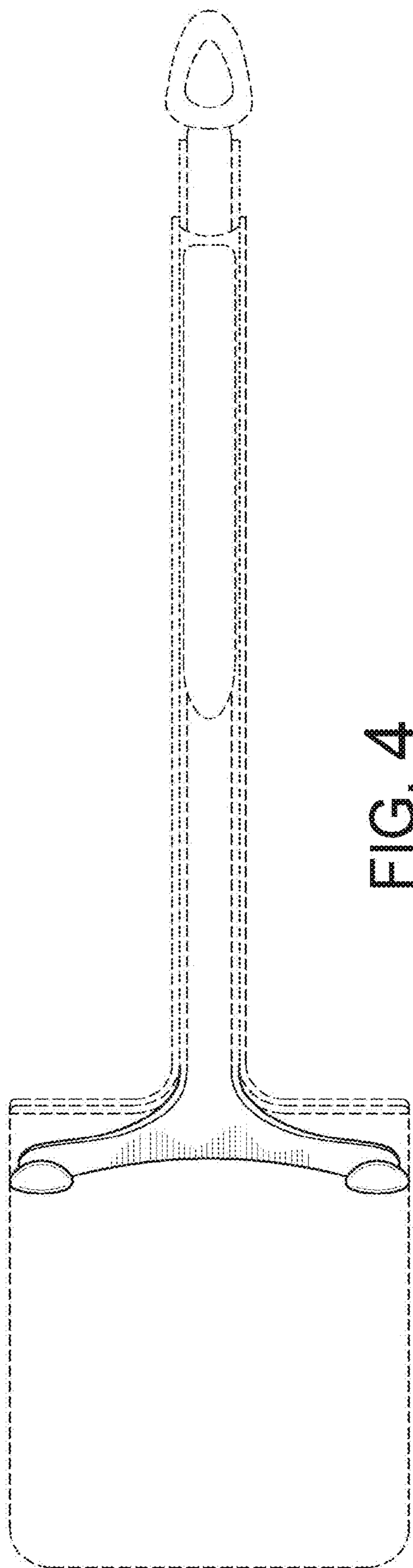


FIG. 4

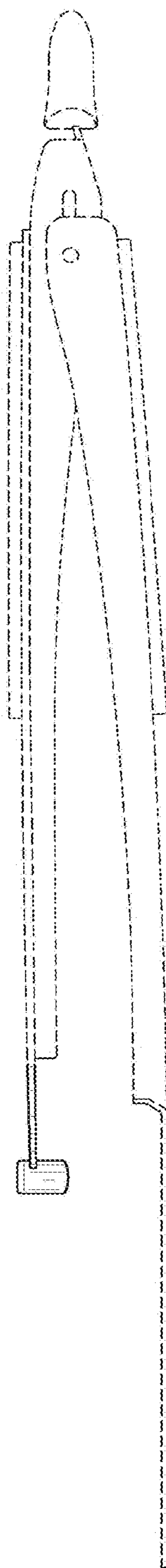


FIG. 5

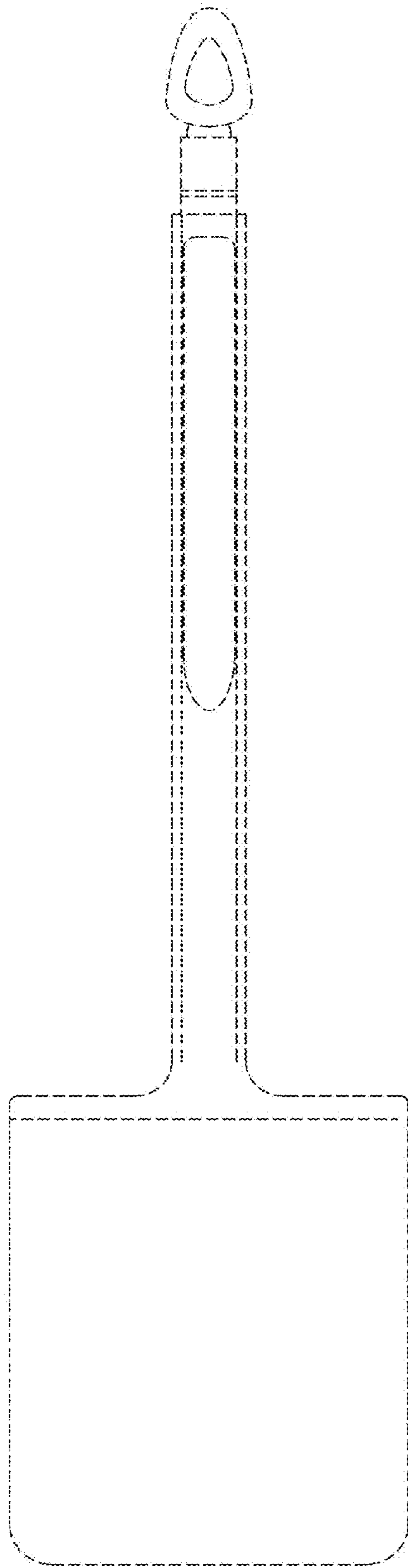


FIG. 6

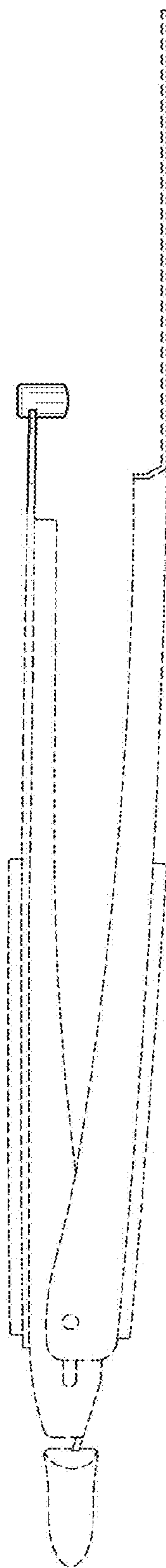


FIG. 7

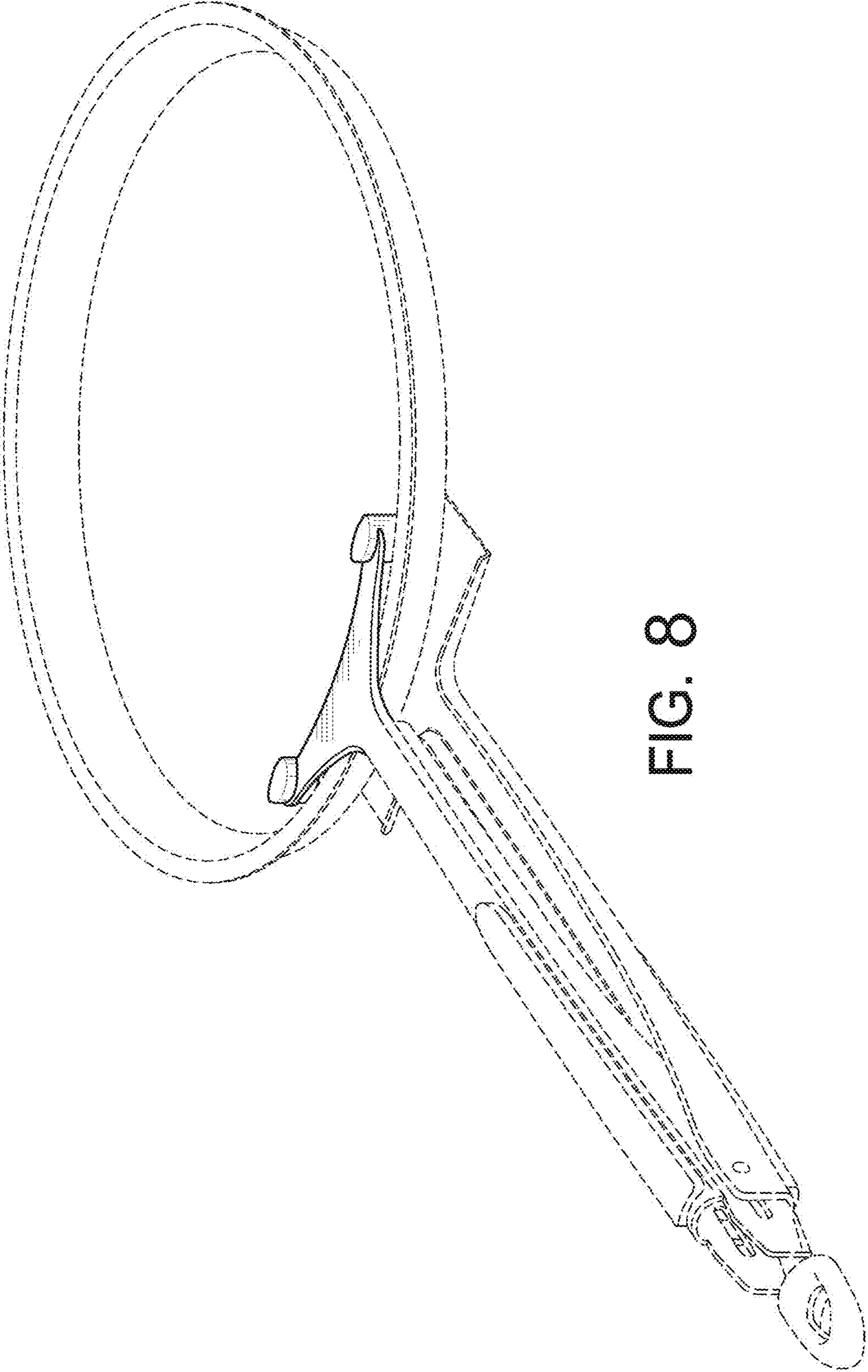


FIG. 8