



US00D718092S

(12) **United States Design Patent**
Lion et al.

(10) **Patent No.:** **US D718,092 S**

(45) **Date of Patent:** **** Nov. 25, 2014**

(54) **DIVIDED PLATE**

(75) Inventors: **Mathieu Lion**, Paris (FR); **Bérengère Suquet**, Paris (FR)

(73) Assignee: **Mastrad. S.A.**, Paris (FR)

(**) Term: **14 Years**

(21) Appl. No.: **29/427,123**

(22) Filed: **Jul. 13, 2012**

(51) **LOC (10) Cl.** **07-01**

(52) **U.S. Cl.**
USPC **D7/555**

(58) **Field of Classification Search**
CPC A47G 19/02–19/03
USPC D7/555, 557, 584–588, 601–603,
D7/543–545; D30/129, 130; 220/574,
220/574.1, 575

See application file for complete search history.

(56) **References Cited**

U.S. PATENT DOCUMENTS

D9,661 S *	12/1876	Heuacker	D7/555
1,945,013 A *	1/1934	Wilson	220/574
D99,827 S *	5/1936	Scaman	D7/555
2,672,697 A *	3/1954	La Tour	D7/555
D180,329 S *	5/1957	Highberger	D7/587
D262,069 S *	11/1981	Khider	D30/130
D400,315 S *	10/1998	Keller et al.	D30/130
D514,384 S *	2/2006	Mitchell et al.	D7/410
D543,074 S *	5/2007	Luft	D7/543

D592,458 S *	5/2009	Scherer	D7/587
D670,041 S *	10/2012	Chance et al.	D30/129
D684,429 S *	6/2013	Lion et al.	D7/543
D699,077 S *	2/2014	Ehrenhaus	D7/587

* cited by examiner

Primary Examiner — Susan Bennett Hattan

Assistant Examiner — Brett Miller

(74) *Attorney, Agent, or Firm* — Novak Druce Connolly Bove + Quigg LLP

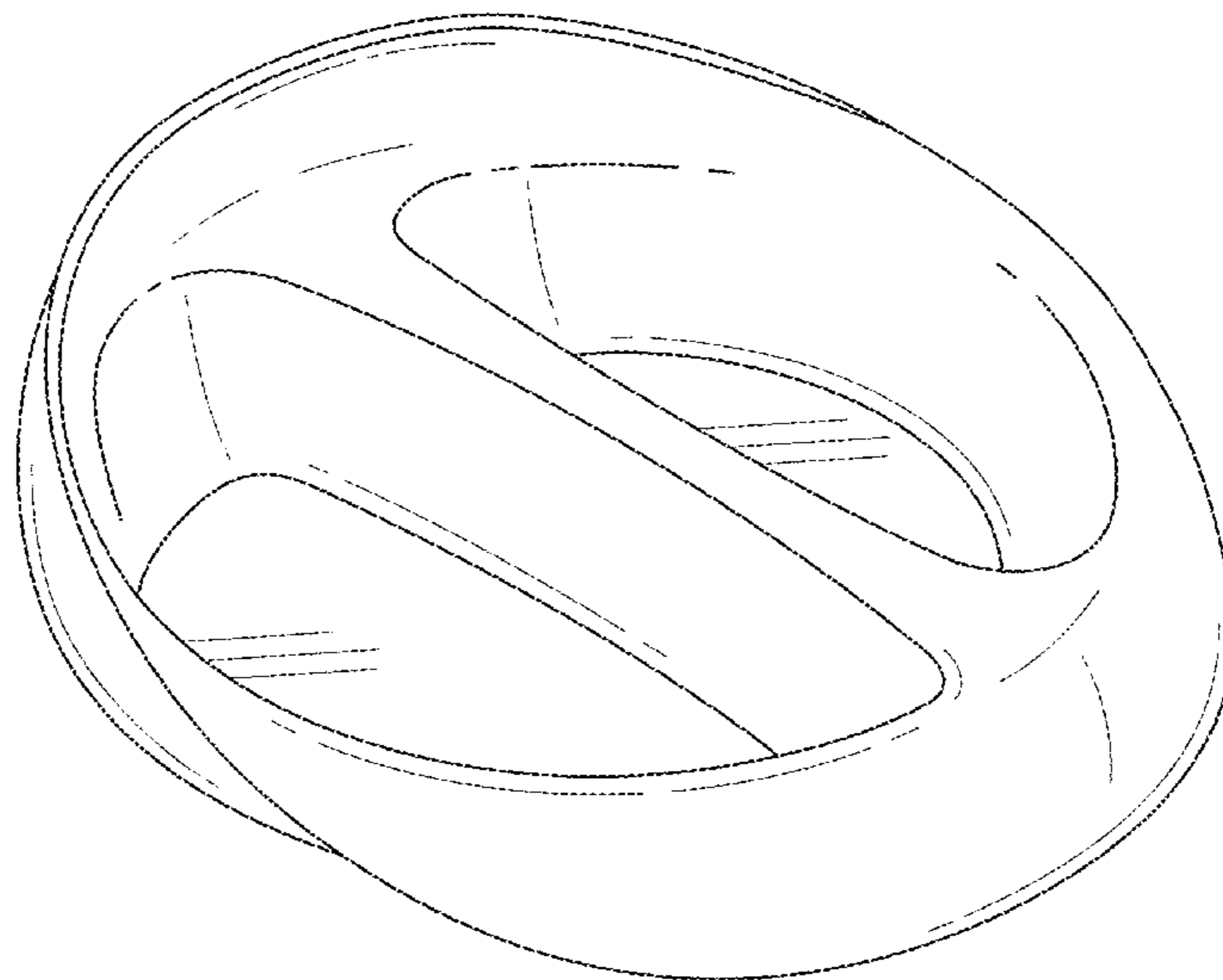
(57) **CLAIM**

The ornamental design for a divided plate, as shown and described.

DESCRIPTION

FIG. 1 is a perspective view of the divided plate;
FIG. 2 is top plan view of the divided plate;
FIG. 3 is a bottom plan view of the divided plate;
FIG. 4 is a front side view of the divided plate of FIG. 2;
FIG. 5 is the rear view of the divided plate of FIG. 2;
FIG. 6 is a right side view of the divided plate of FIG. 2;
FIG. 7 is a left side view of the divided plate of FIG. 2;
FIG. 8 is a cross-sectional view taken along 8-8 of the divided plate of FIG. 4; and,
FIG. 9 is a cross-sectional view taken along 9-9 of the divided plate of FIG. 6.

1 Claim, 9 Drawing Sheets



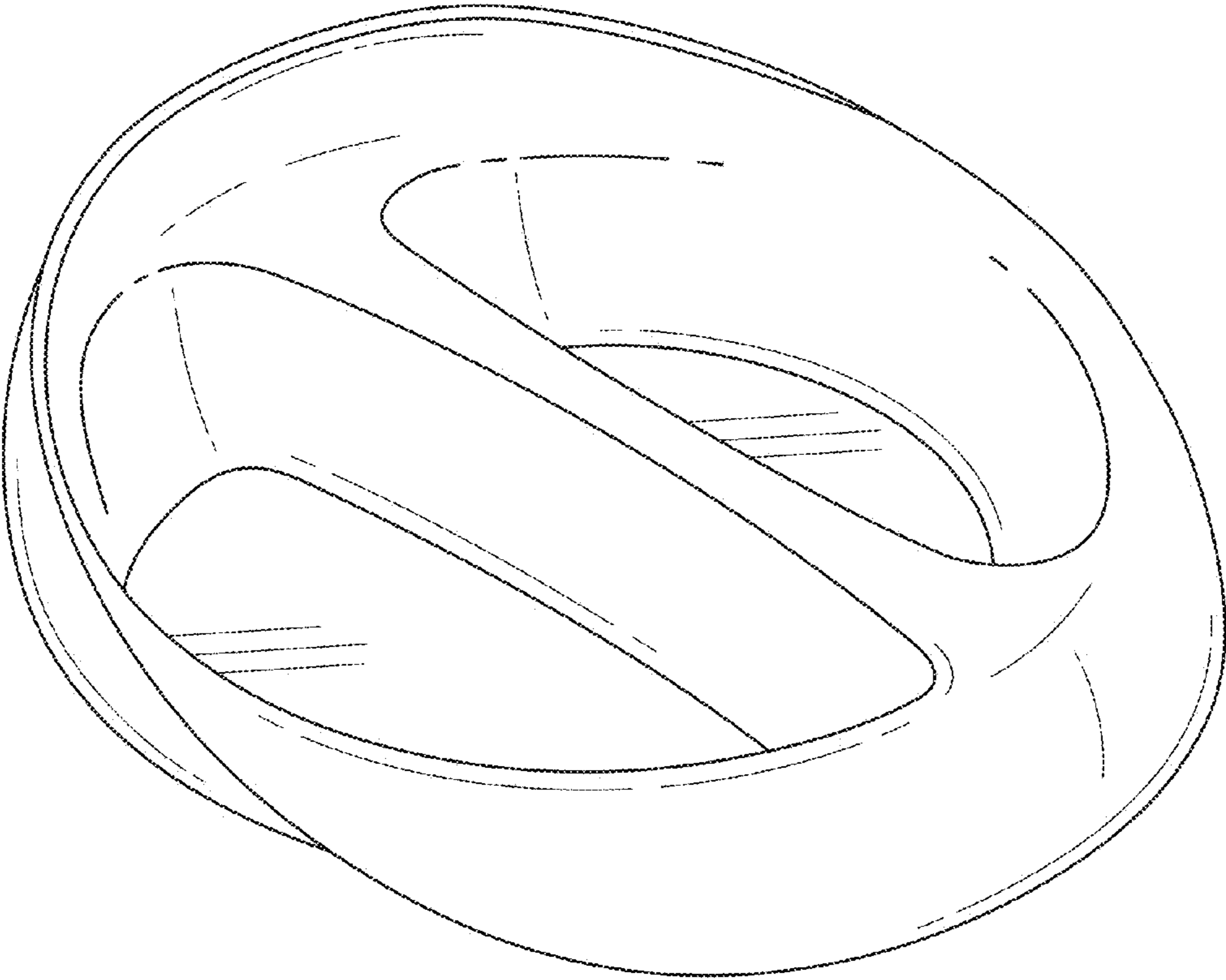


FIG. 1

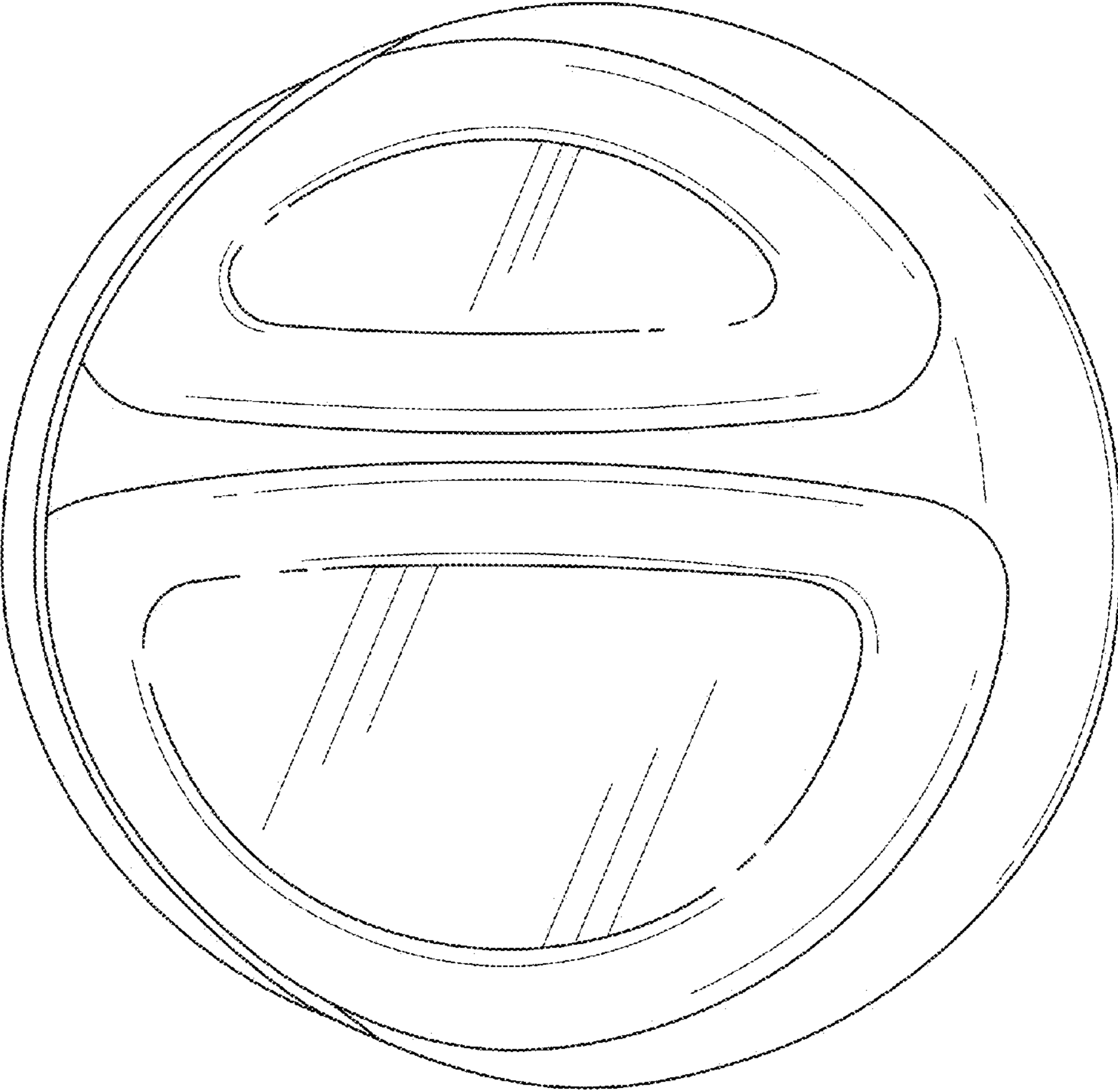


FIG. 2

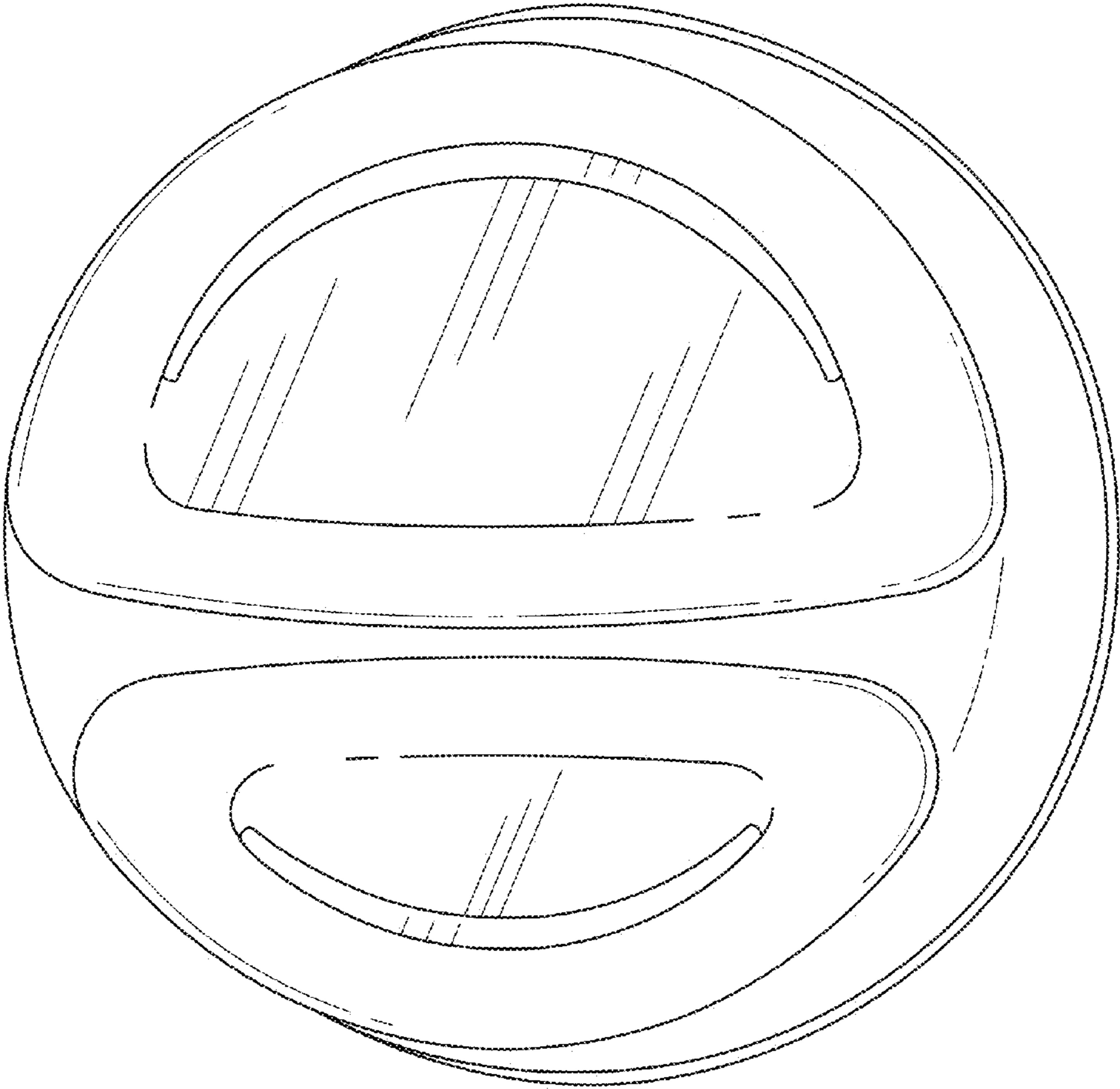


FIG. 3

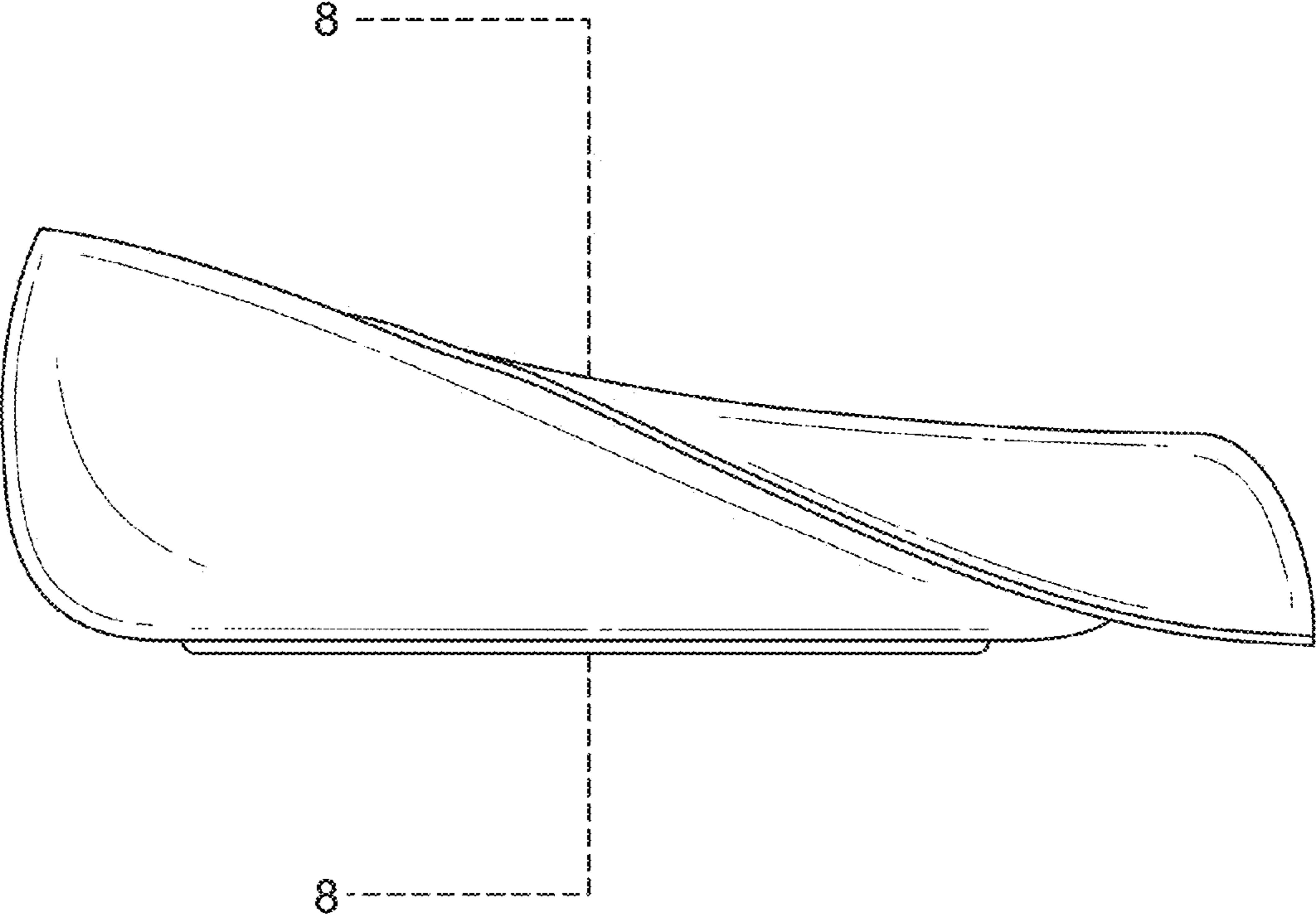


FIG. 4

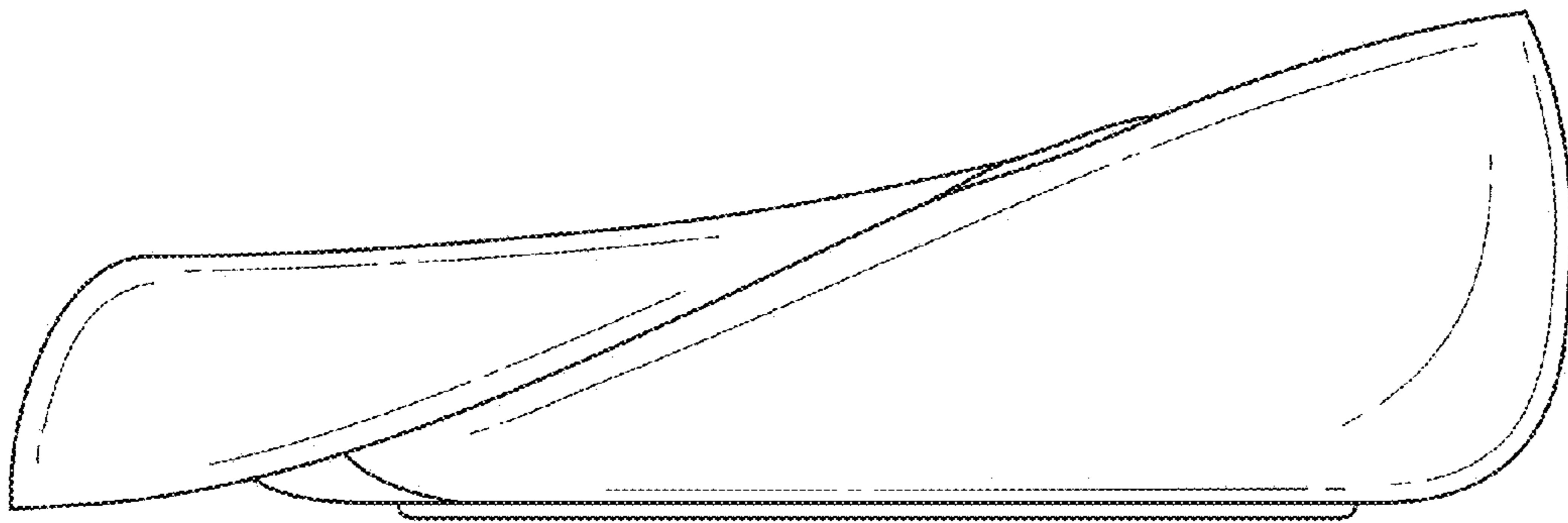


FIG. 5

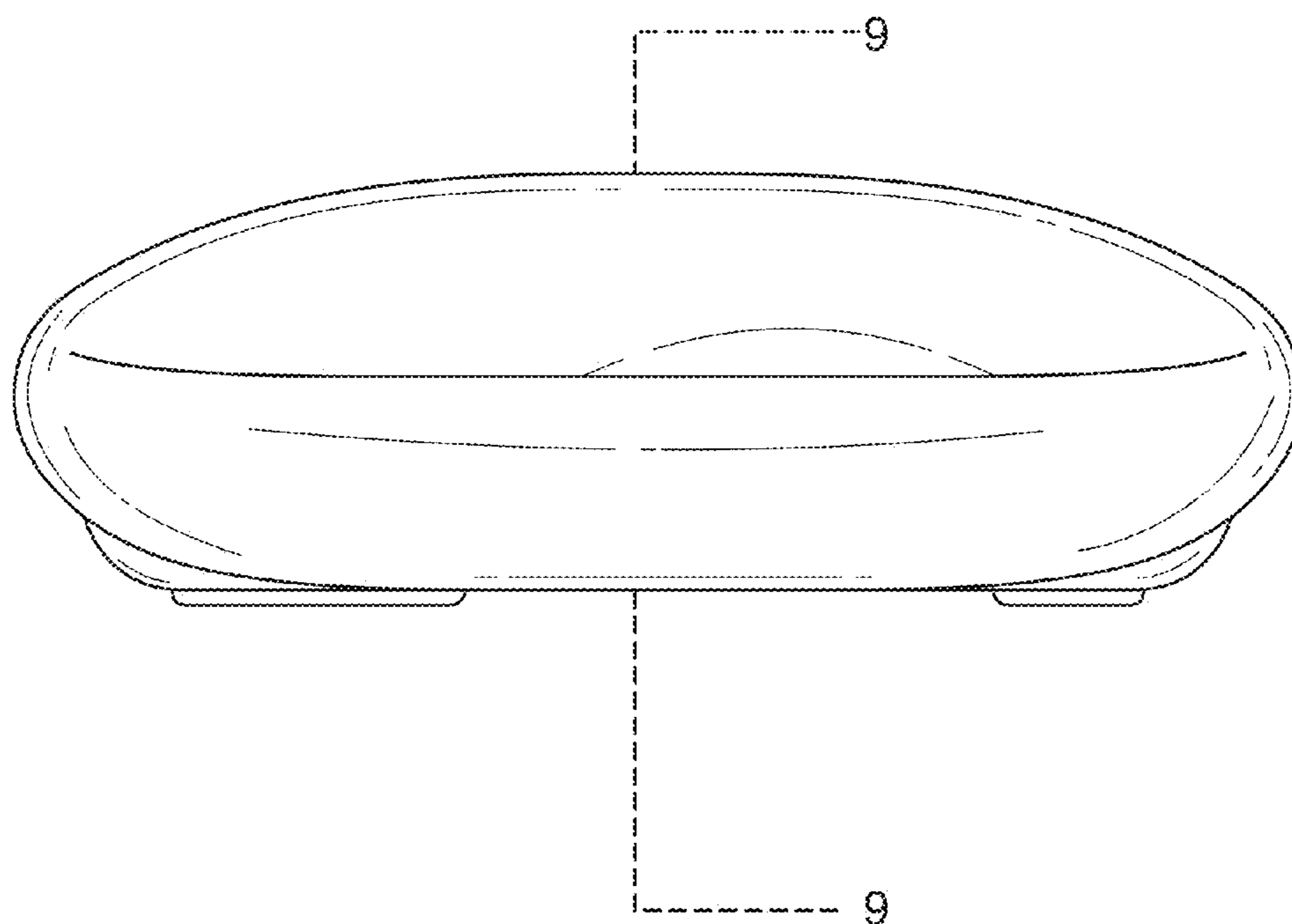


FIG. 6

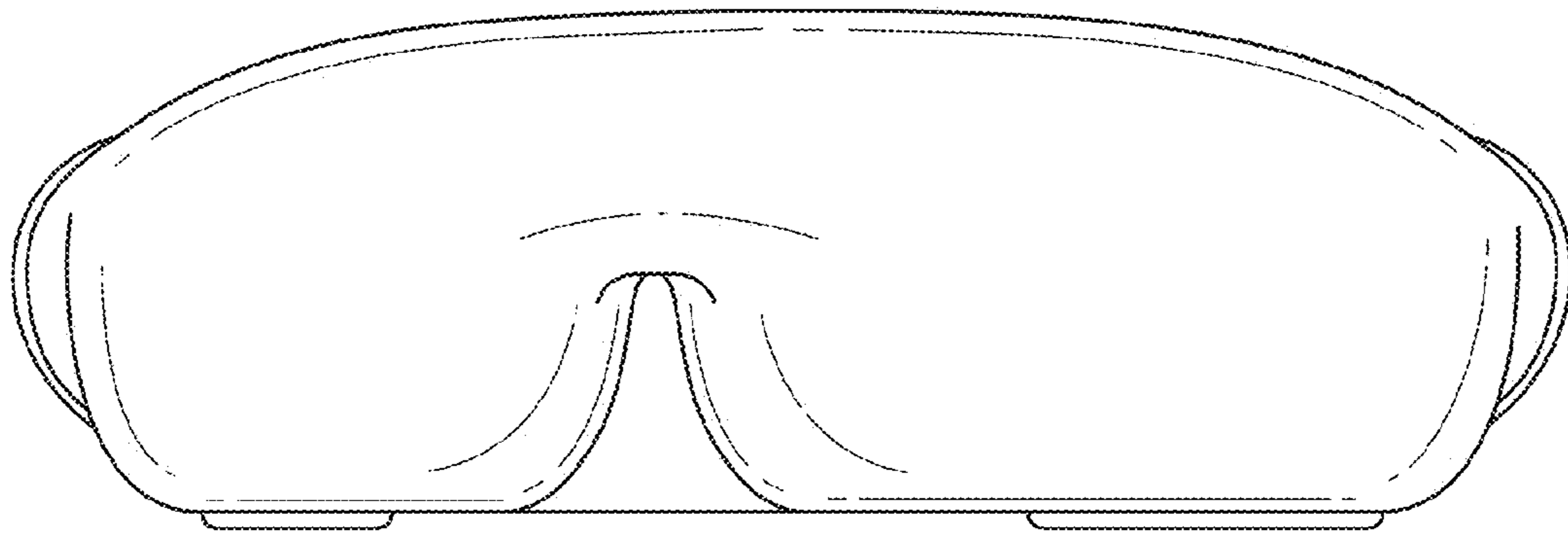


FIG. 7

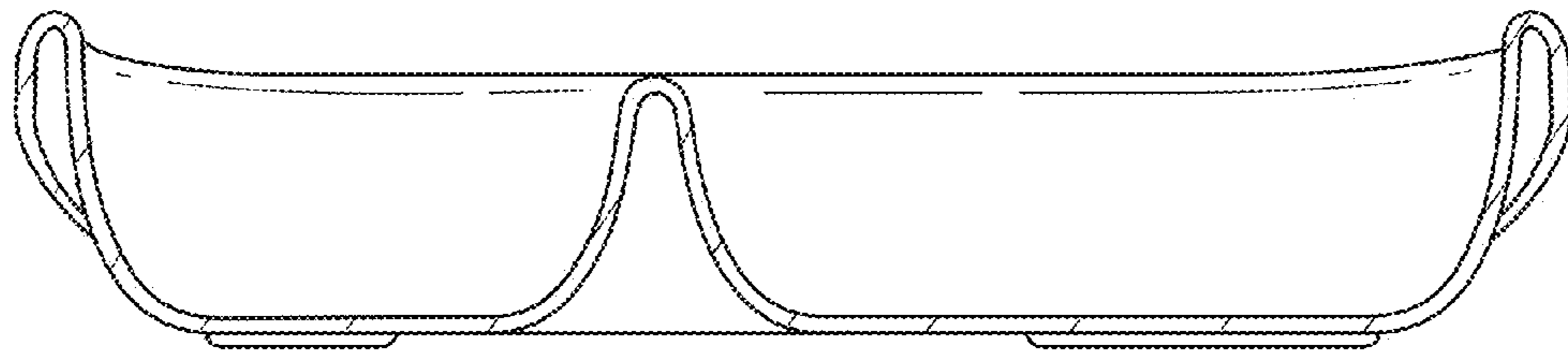


FIG. 8

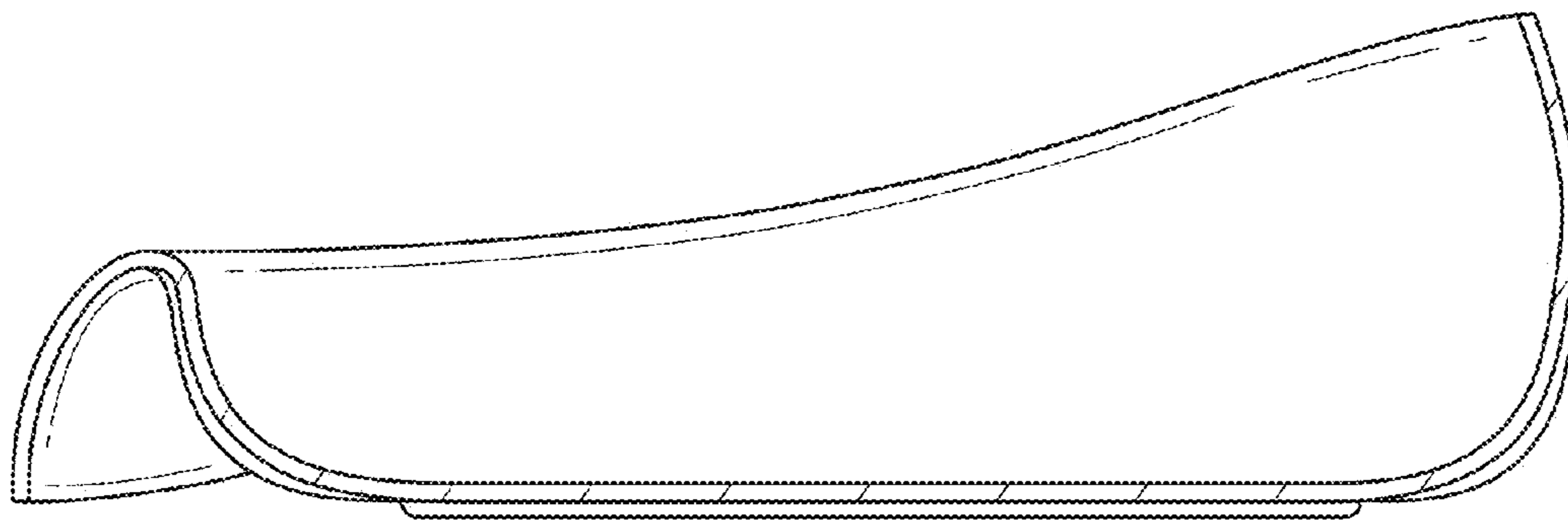


FIG. 9