



US00D718088S

(12) **United States Design Patent**
Chung

(10) **Patent No.:** **US D718,088 S**

(45) **Date of Patent:** **** Nov. 25, 2014**

(54) **BARBECUE GRILL COVER**

(71) Applicant: **Kiosky Chung**, Taichung (TW)

(72) Inventor: **Kiosky Chung**, Taichung (TW)

(**) Term: **14 Years**

(21) Appl. No.: **29/462,521**

(22) Filed: **Aug. 5, 2013**

(51) **LOC (10) Cl.** **07-02**

(52) **U.S. Cl.**
USPC **D7/402**

(58) **Field of Classification Search**
USPC D7/332, 334-337, 402-406; 126/25 R,
126/25 A, 25 AA, 9 R, 38, 41 R, 40, 50, 276;
99/449

See application file for complete search history.

(56) **References Cited**

U.S. PATENT DOCUMENTS

D465,130 S * 11/2002 Pai D7/402
D514,872 S * 2/2006 Chung D7/337
D549,047 S * 8/2007 Chung D7/402

D610,862 S * 3/2010 Chung D7/337
D623,888 S * 9/2010 Chung D7/334
D680,795 S * 4/2013 Chung D7/334
D680,796 S * 4/2013 Chung D7/334

* cited by examiner

Primary Examiner — Ruth McInroy

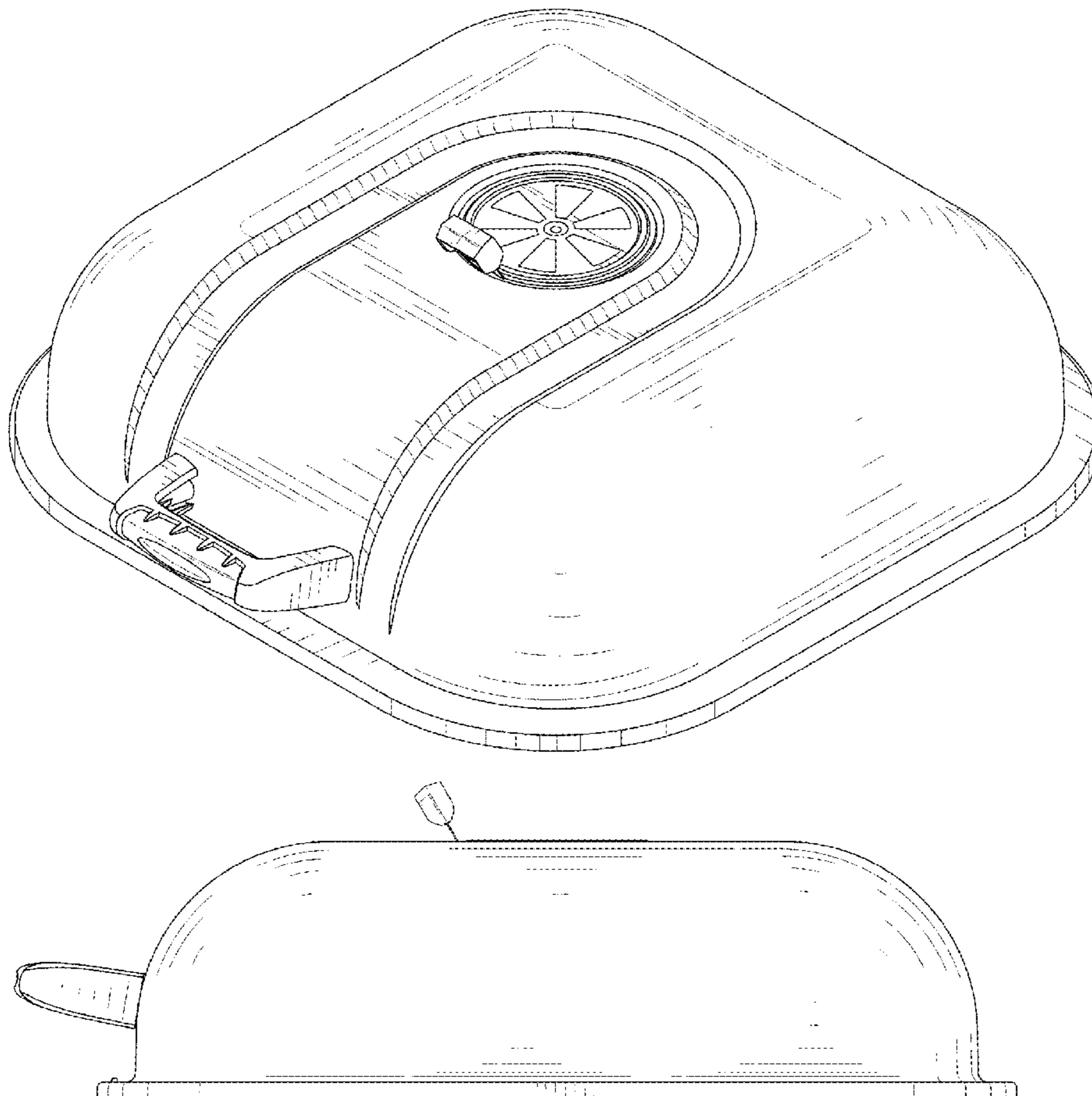
(57) **CLAIM**

I claim the ornamental design for a barbecue grill cover, as shown and described.

DESCRIPTION

FIG. 1 is a perspective view of a barbecue grill cover, showing my new design;
FIG. 2 is a front elevational view thereof;
FIG. 3 is a rear elevational view thereof;
FIG. 4 is a left side elevational view thereof;
FIG. 5 is a right side elevational view thereof;
FIG. 6 is a top plan view thereof; and
FIG. 7 is a bottom plan view thereof; and
FIG. 8 is a perspective view thereof; the portion of the grill shown in broken lines forms no part of the claimed design.

1 Claim, 8 Drawing Sheets



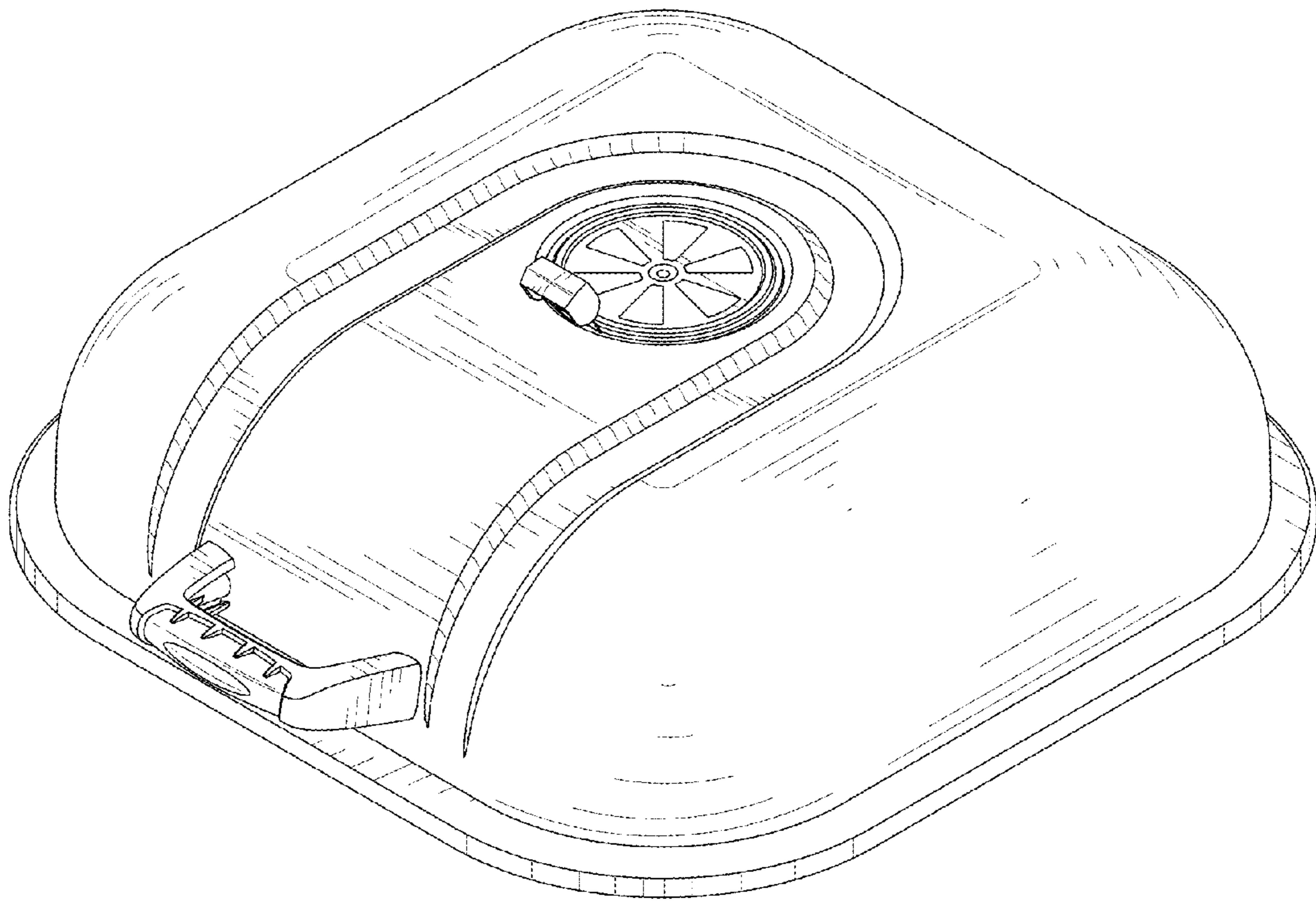


FIG. 1

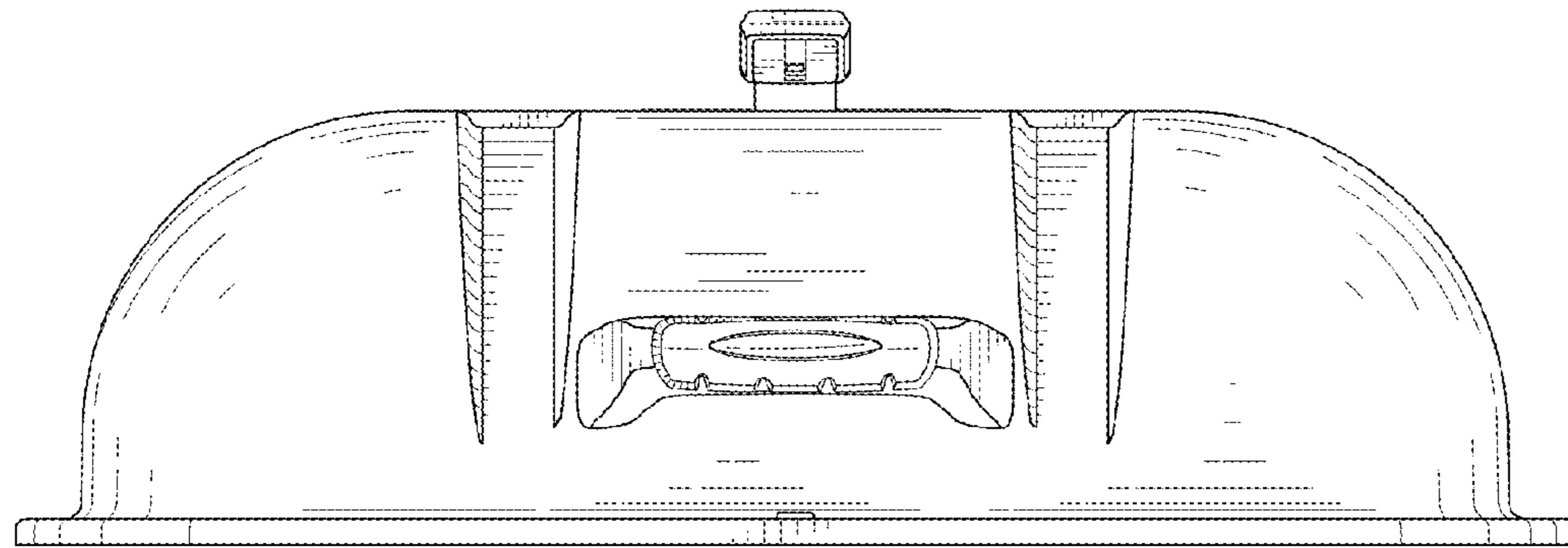


FIG. 2

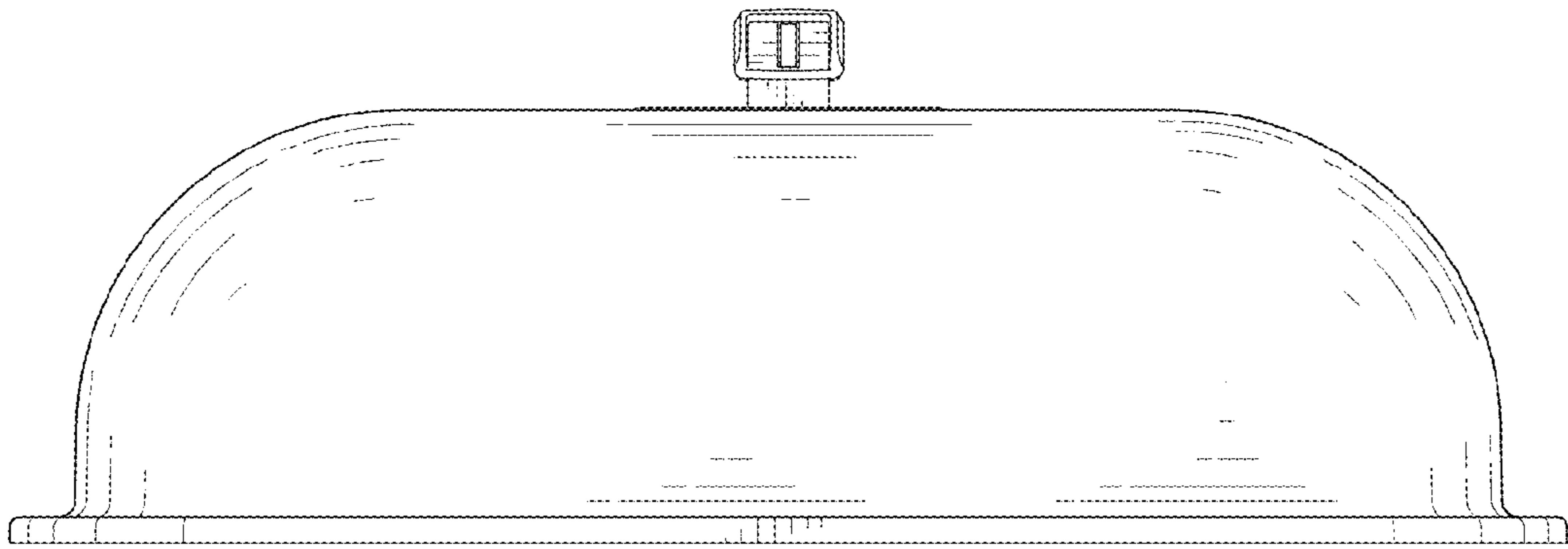


FIG. 3

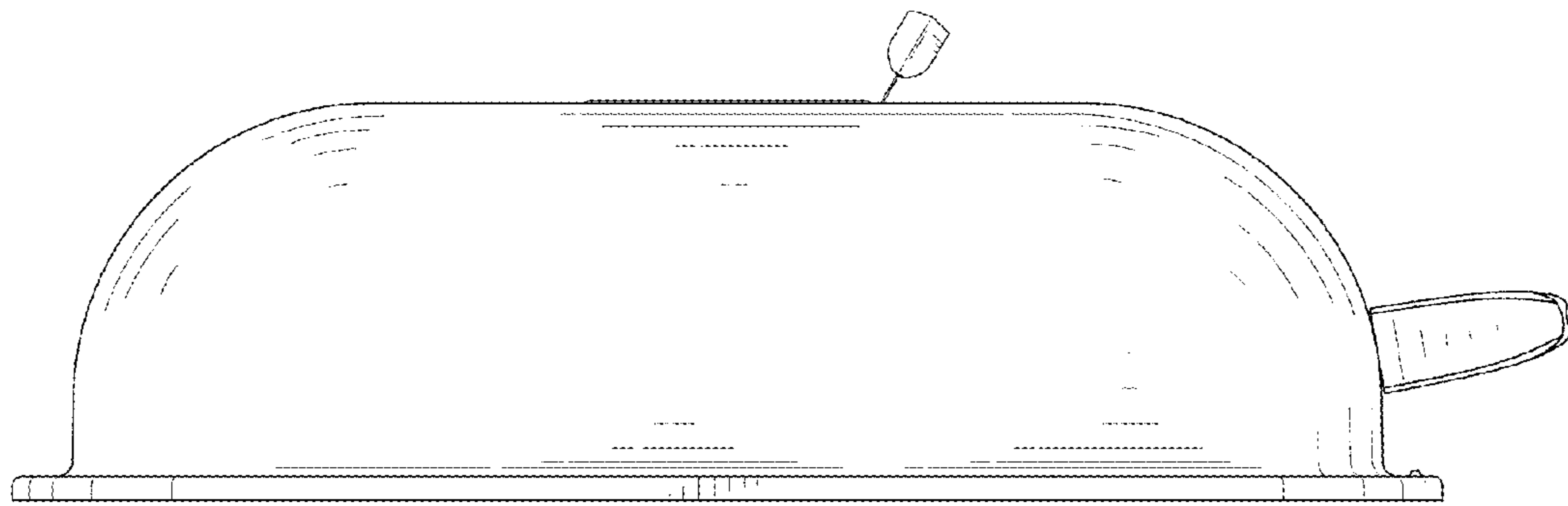


FIG. 4

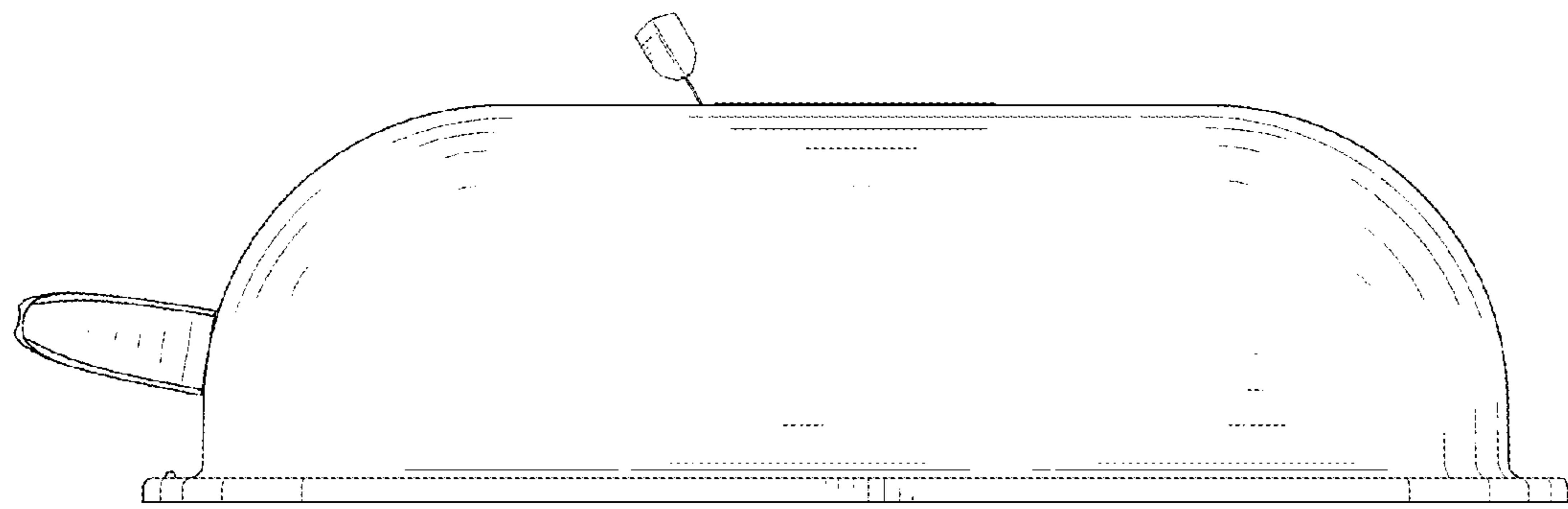


FIG. 5

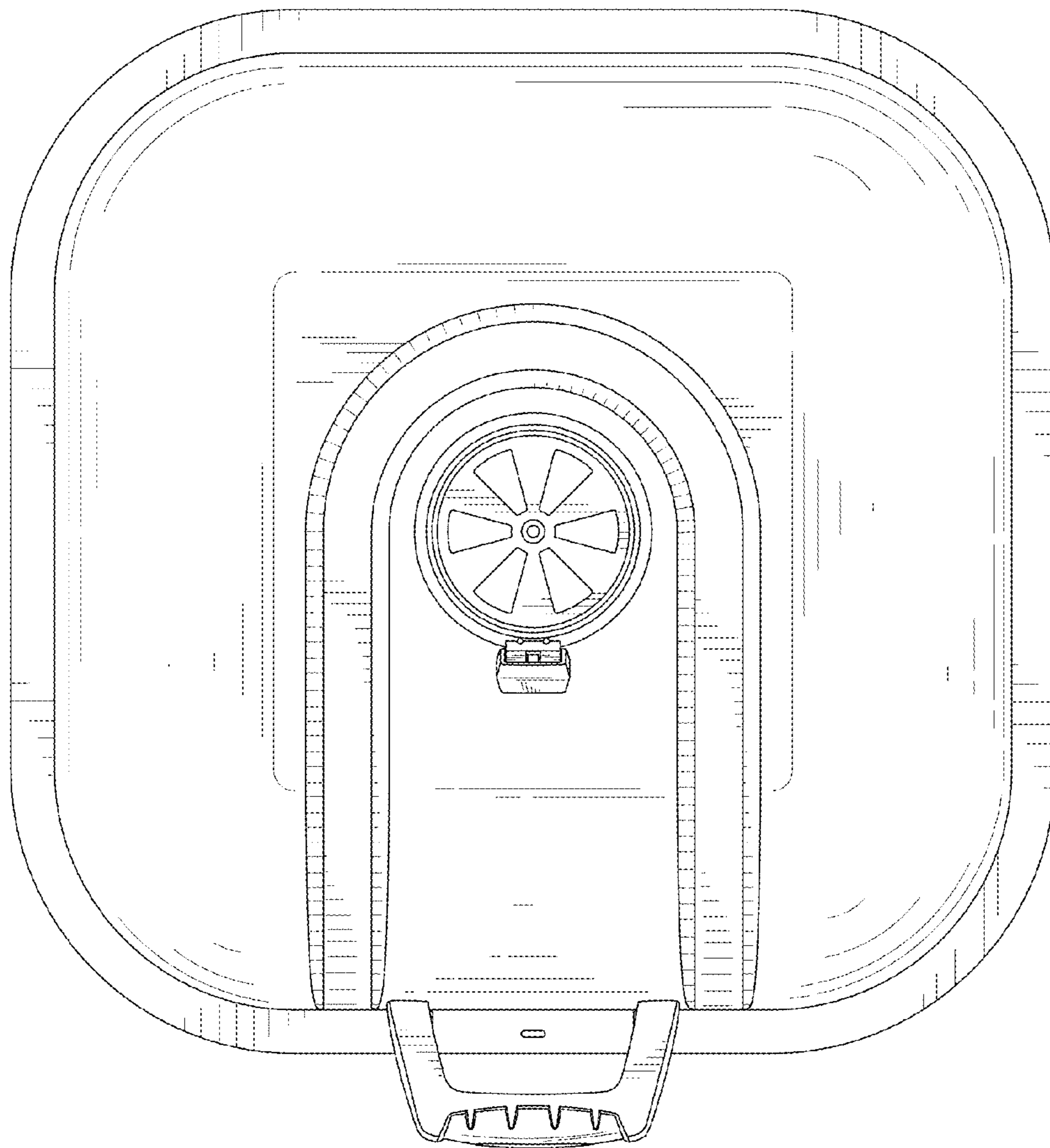


FIG. 6

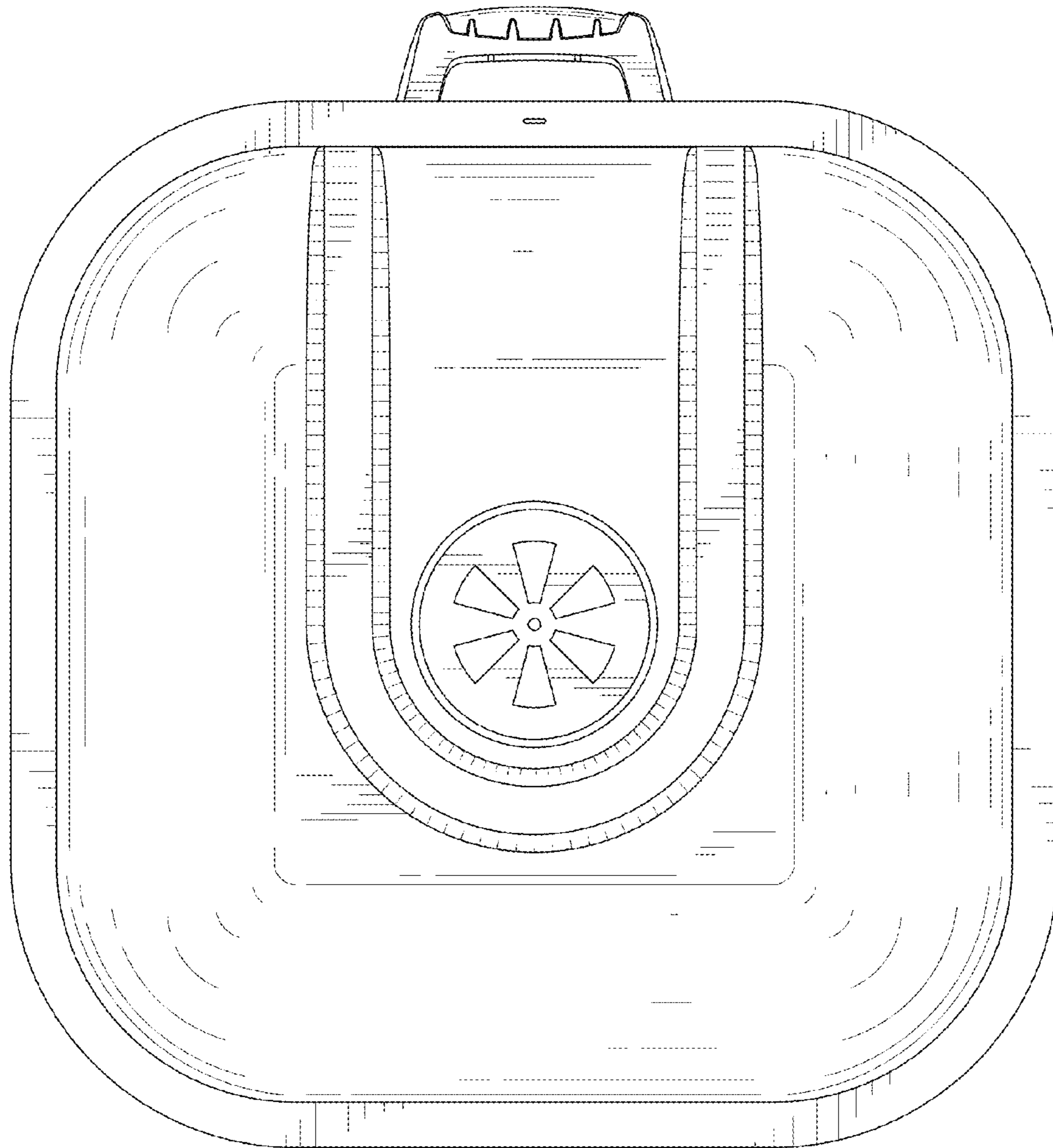


FIG. 7

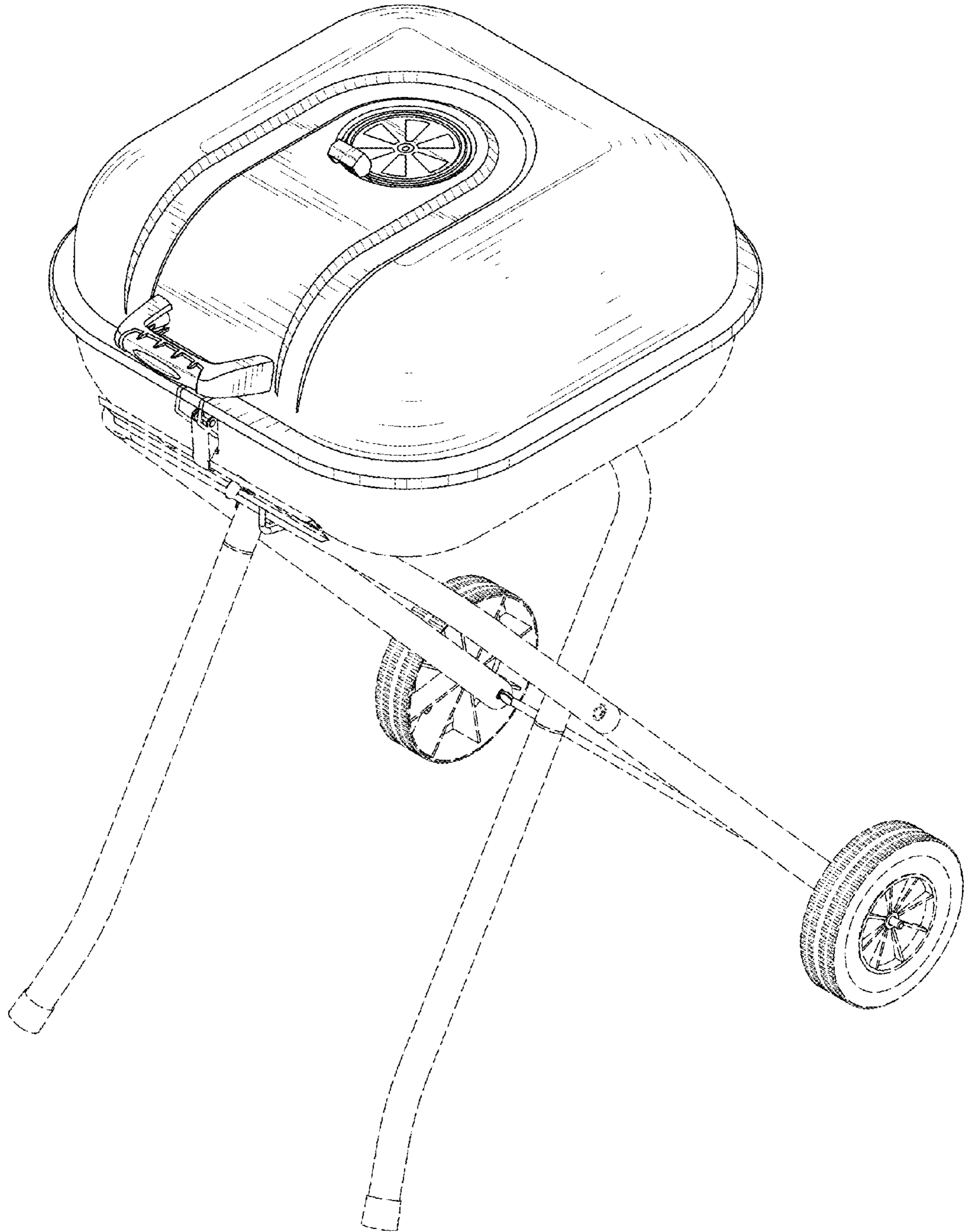


FIG. 8