



US00D718087S

(12) **United States Design Patent**
Marasligiller et al.

(10) **Patent No.:** **US D718,087 S**

(45) **Date of Patent:** **** Nov. 25, 2014**

(54) **SIPPY CUP**

(71) Applicant: **Tervis Tumbler Company**, North Venice, FL (US)

(72) Inventors: **Ares M. Marasligiller**, Cincinnati, OH (US); **Aldo Javier Barreto**, Amelia, OH (US); **Yashodhan H. Dhuru**, Cincinnati, OH (US)

(73) Assignee: **Tervis Tumbler Company**, North Venice, FL (US)

(**) Term: **14 Years**

(21) Appl. No.: **29/449,447**

(22) Filed: **Mar. 15, 2013**

(51) **LOC (10) Cl.** **07-01**

(52) **U.S. Cl.**
USPC **D7/396.2**

(58) **Field of Classification Search**

CPC ... A47G 19/2266-19/2272; A61J 9/00-9/008; A61J 9/08-9/085

USPC D7/509-513, 533-536, 392.1, 392.2, D7/397, 398, 538, 514-518; 220/717, 718, 220/713, 203.18, 303; D24/194-197; D9/447, 529, 503, 504, 723, 435

See application file for complete search history.

(56) **References Cited**

U.S. PATENT DOCUMENTS

D397,906 S * 9/1998 Briggs et al. D7/392.1
D417,591 S * 12/1999 Roehrig D7/510
D421,878 S * 3/2000 Roehrig D7/510
D460,322 S * 7/2002 Orr et al. D7/510
D476,850 S * 7/2003 Featherston et al. D7/510

D479,946 S * 9/2003 Jalet et al. D7/392.1
D520,809 S * 5/2006 Randolph et al. D7/392.1
D538,938 S * 3/2007 Pillado D24/197
D579,722 S * 11/2008 Sakulsacha et al. D7/510
D634,439 S * 3/2011 Hakim D24/196
D642,436 S * 8/2011 Schofield et al. D7/510
2008/0128438 A1 * 6/2008 Lane 220/717
2009/0020544 A1 * 1/2009 Yuen 220/714

* cited by examiner

Primary Examiner — Susan Bennett Hattan

Assistant Examiner — Brett Miller

(74) *Attorney, Agent, or Firm* — Caesar, Rivise, Berntein, Cohen & Pokotilow, Ltd.

(57) **CLAIM**

The ornamental design for a sippy cup, as shown and described.

DESCRIPTION

FIG. 1 is an isometric view taken from an oblique angle looking downward at a sippy cup;

FIG. 2 is an isometric view taken from an oblique angle looking upward of the sippy cup of FIG. 1;

FIG. 3 is a front elevational view of the sippy cup of FIG. 1;

FIG. 4 is a rear elevational view of the sippy cup of FIG. 1;

FIG. 5 is a left side elevational view of the sippy cup of FIG. 1;

FIG. 6 is a right side elevational view of the sippy cup of FIG. 1;

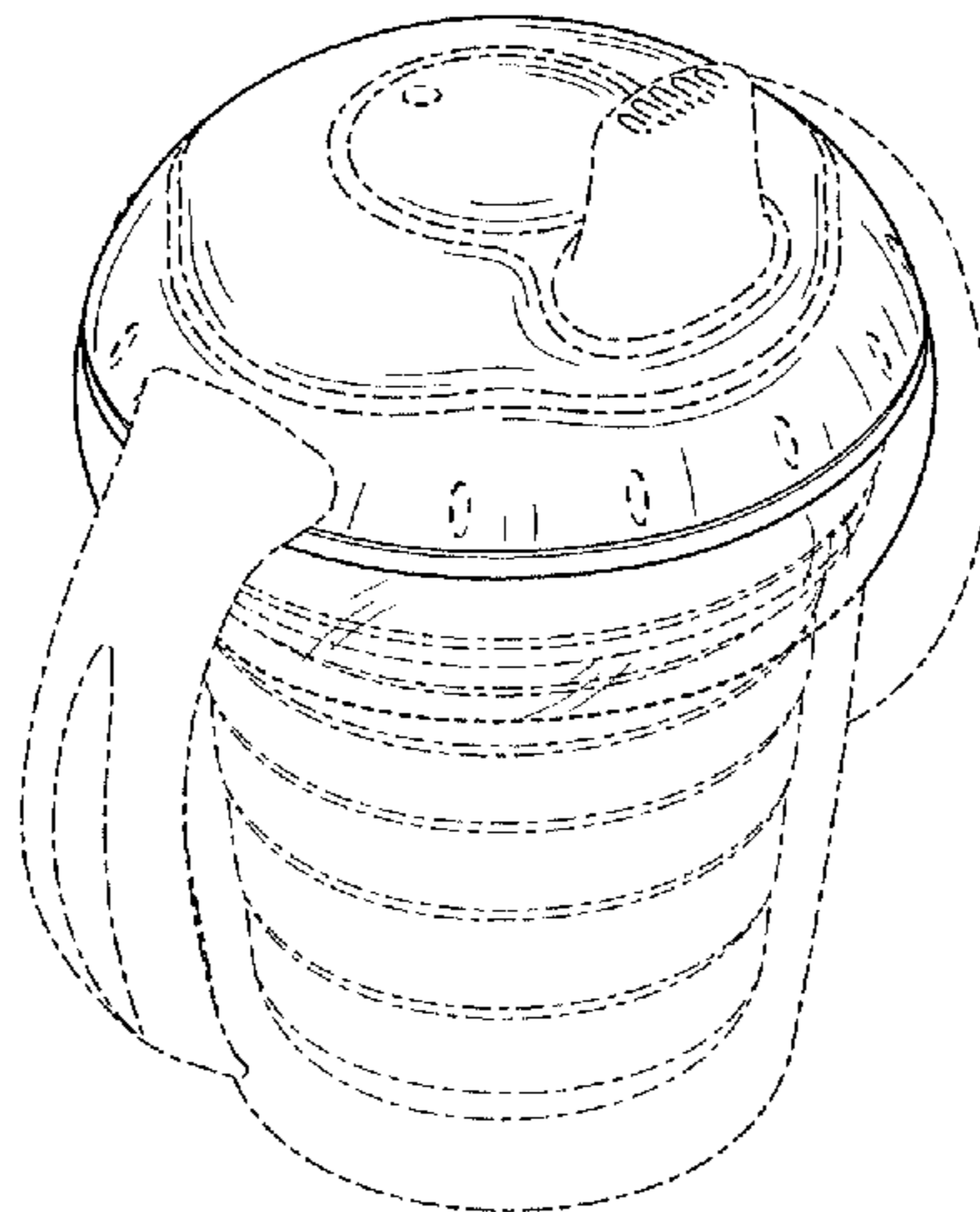
FIG. 7 is a top plan view of the sippy cup of FIG. 1; and,

FIG. 8 is a bottom plan view of the sippy cup of FIG. 1.

The broken lines designated by the alternating dashes and dots are directed to unclaimed portions of the sippy cup and form no part of the claimed design.

The broken lines designated by evenly spaced dashes represent the boundary of the claimed design.

1 Claim, 6 Drawing Sheets



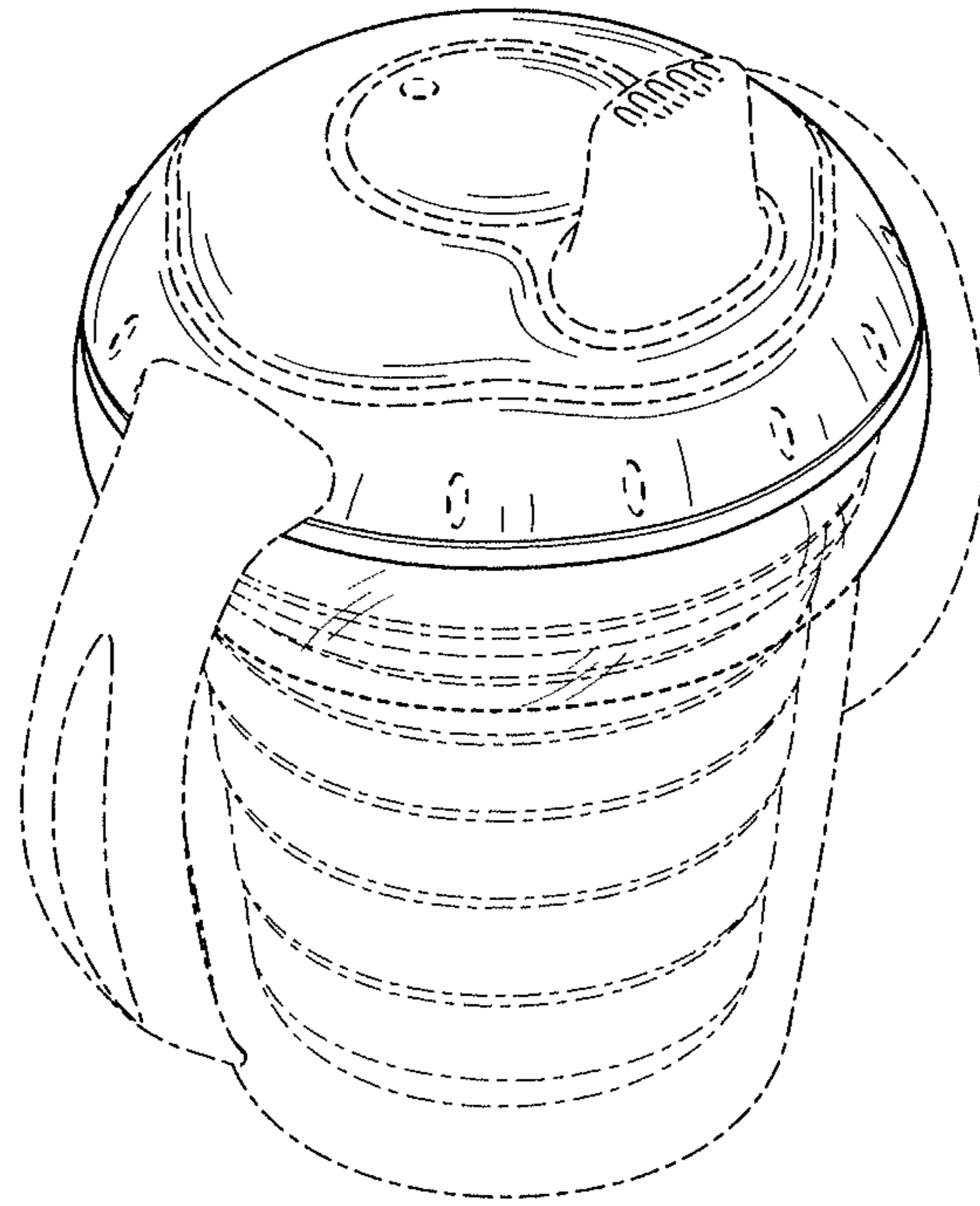


FIG. 1

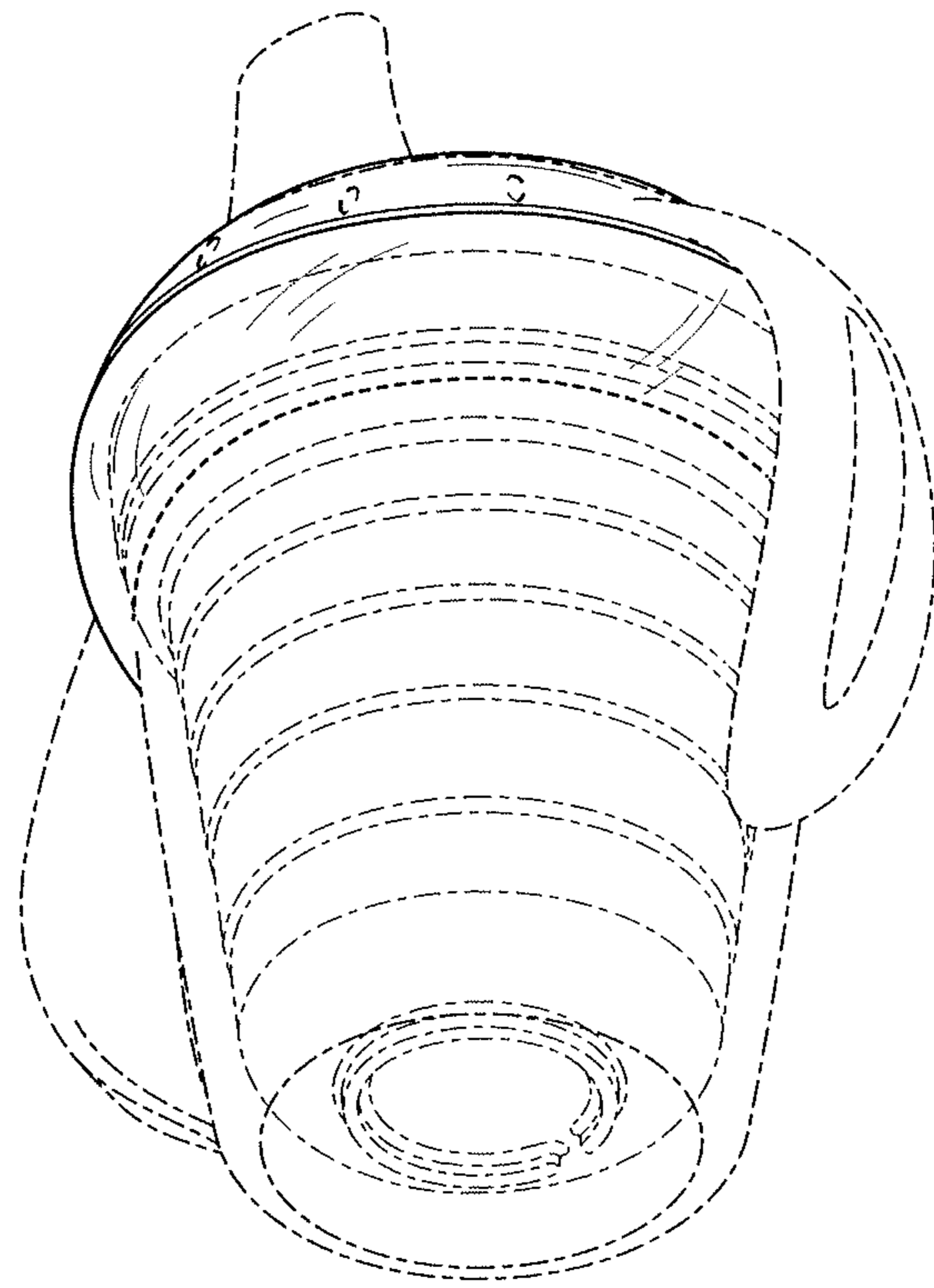


FIG. 2

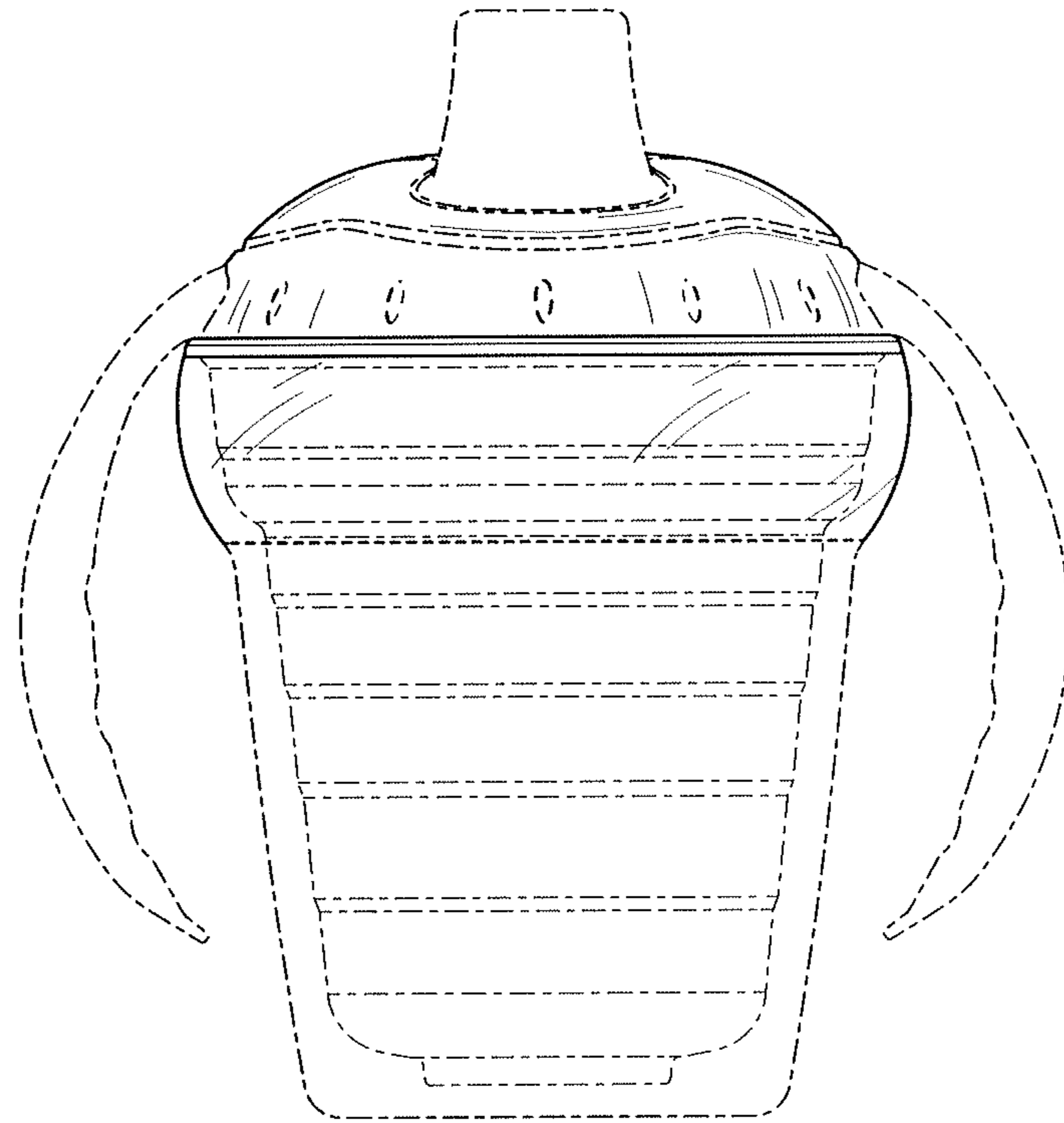


FIG. 3

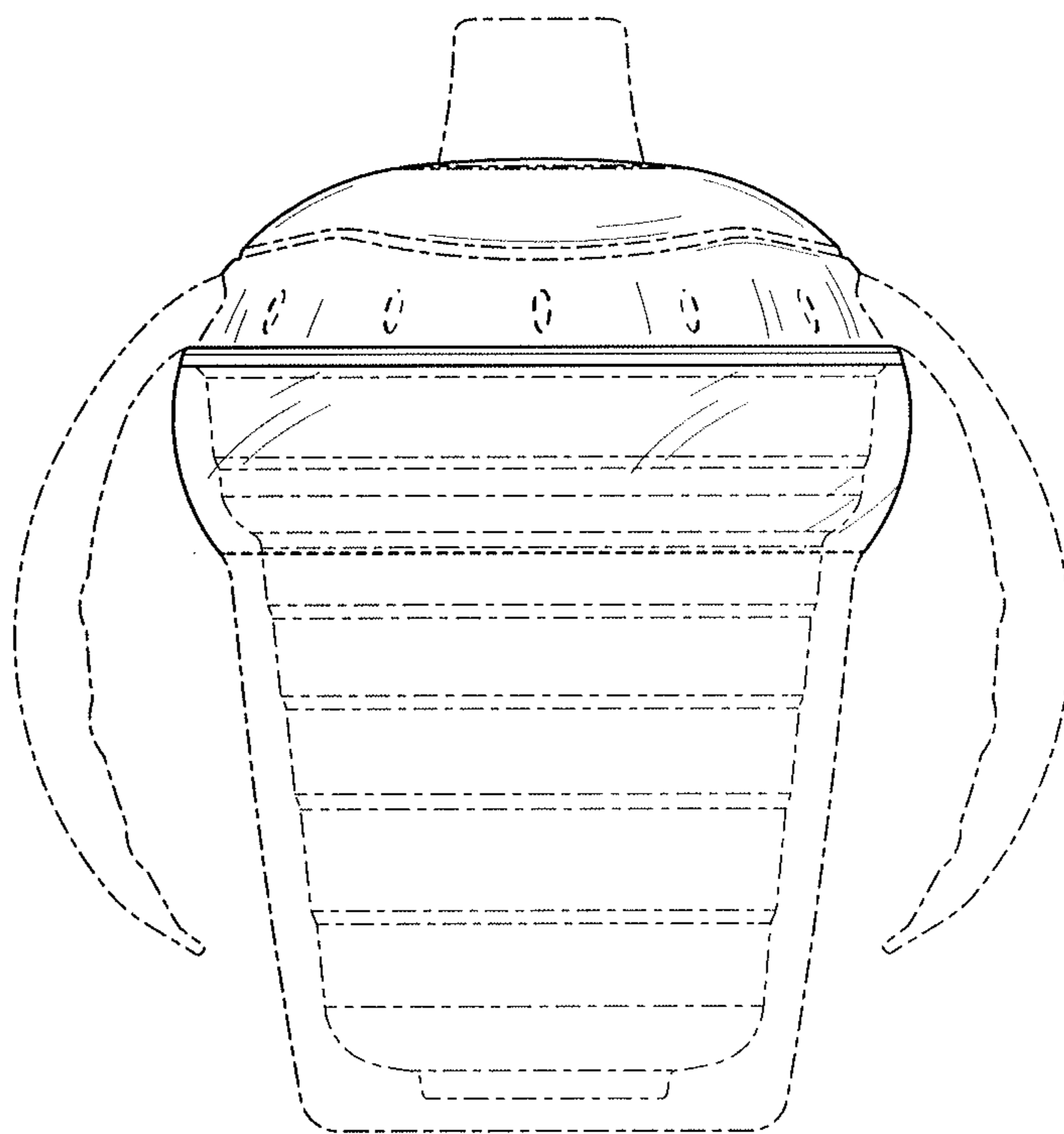


FIG. 4

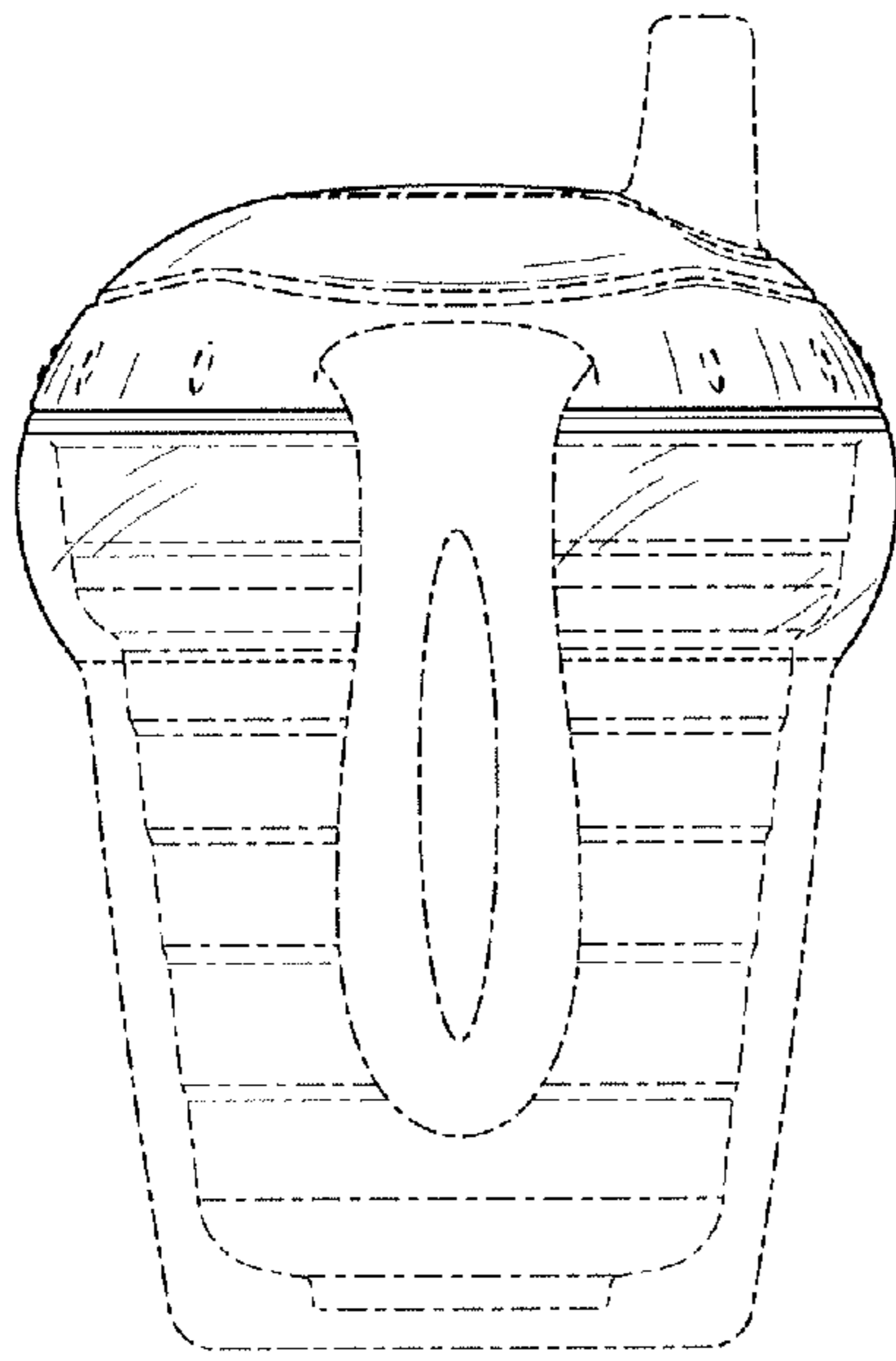


FIG. 5

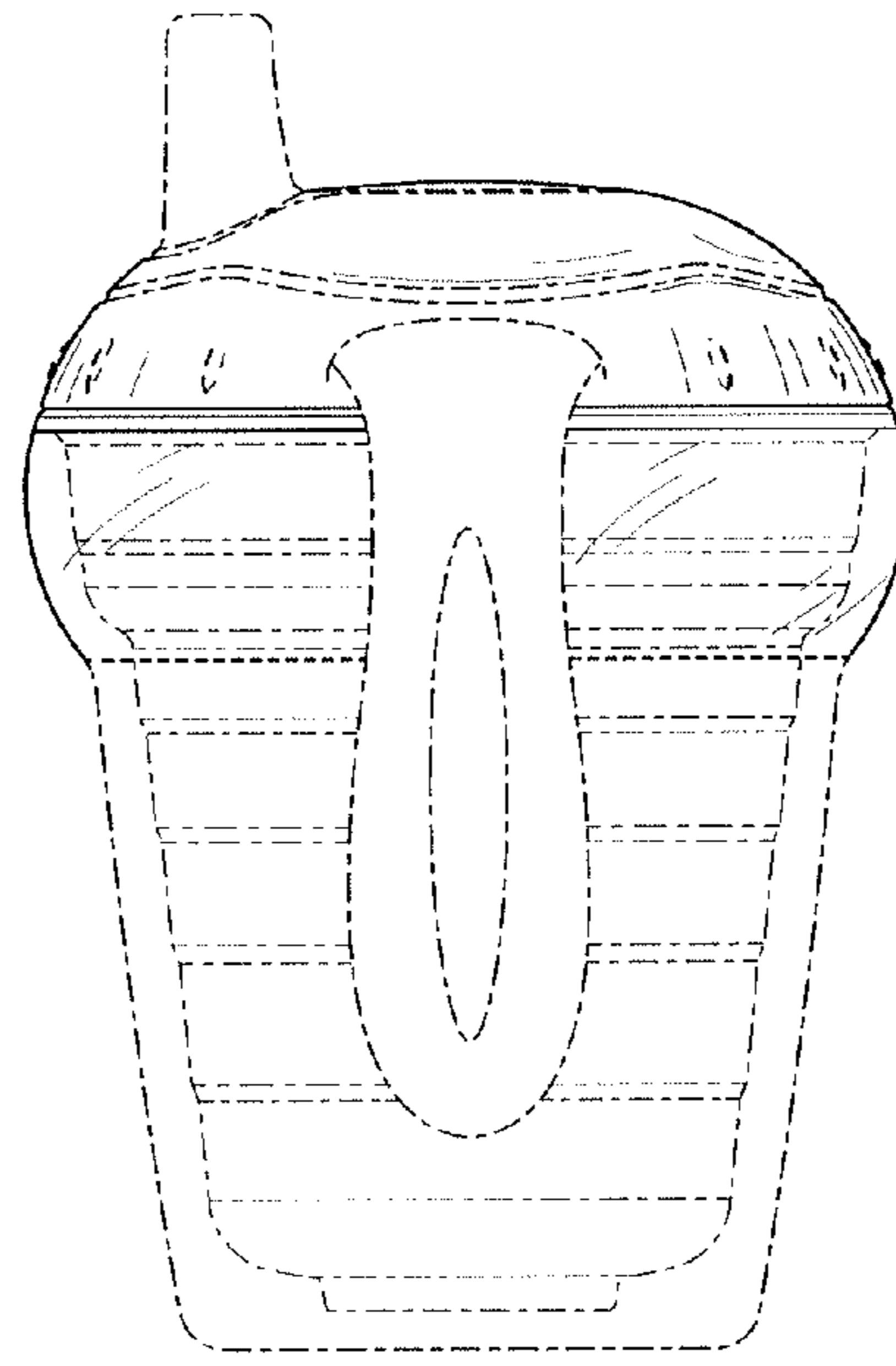


FIG. 6

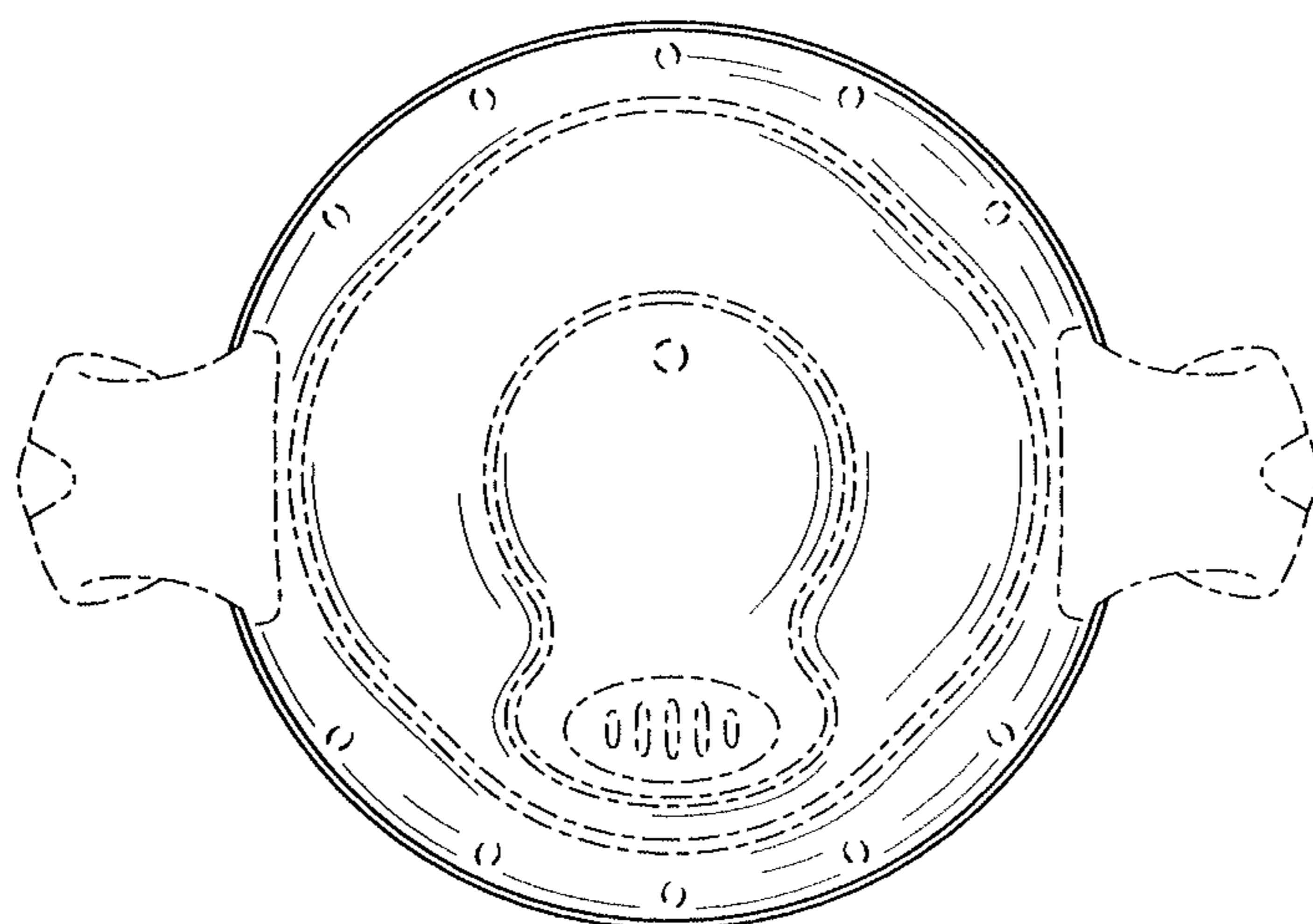


FIG. 7

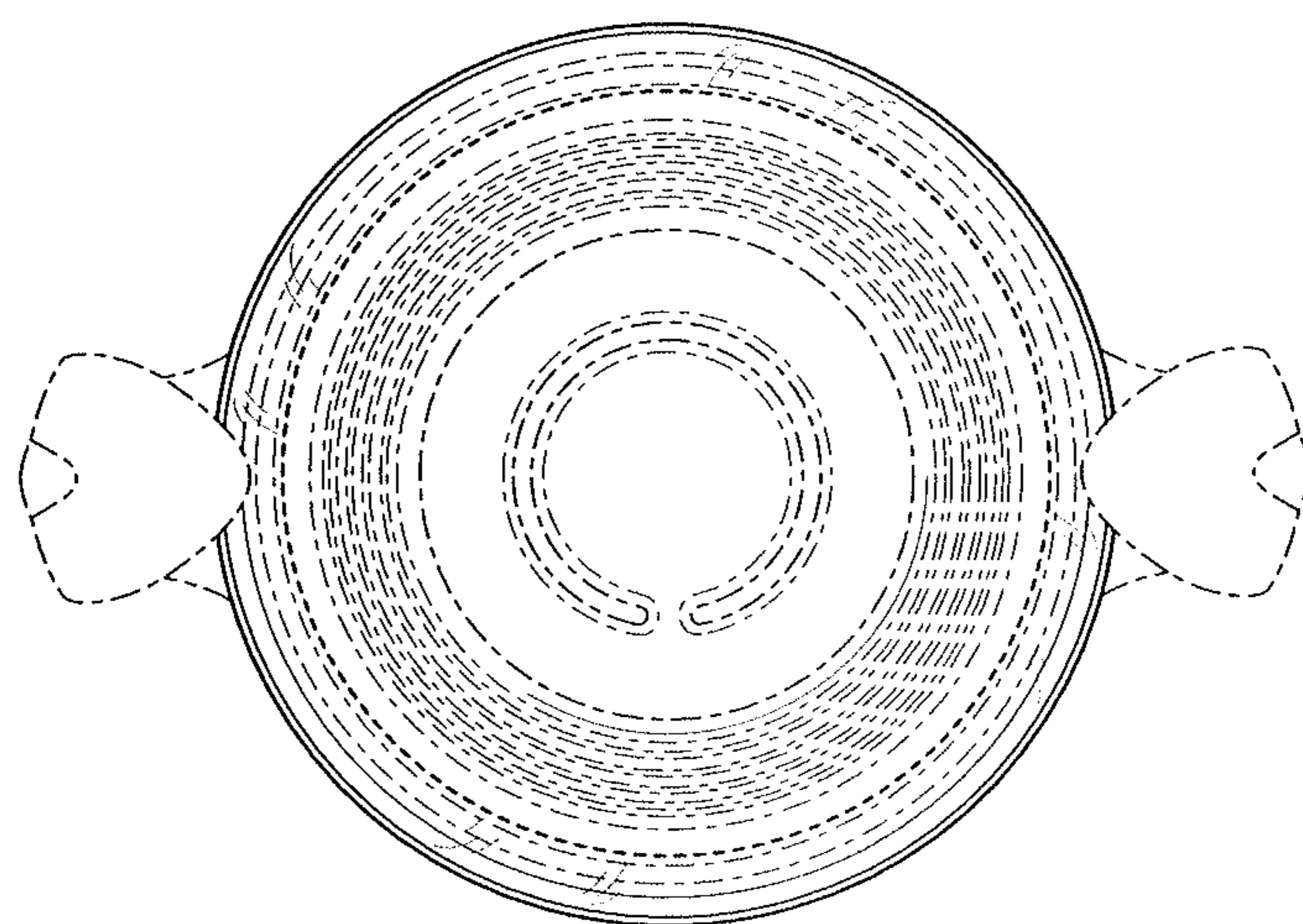


FIG. 8