



US00D718086S

(12) **United States Design Patent**
Lewis et al.

(10) **Patent No.:** **US D718,086 S**
(45) **Date of Patent:** **** Nov. 25, 2014**

(54) **FLEXIBLE CONTAINER COVER**
(71) Applicants: **Andre Anton Lewis**, Benicia, CA (US);
Ryan Duke, Oakland, CA (US)
(72) Inventors: **Andre Anton Lewis**, Benicia, CA (US);
Ryan Duke, Oakland, CA (US)
(73) Assignee: **Abutech LLC**, Memphis, TN (US)
(**) Term: **14 Years**

(21) Appl. No.: **29/435,874**
(22) Filed: **Oct. 30, 2012**
(51) **LOC (10) Cl.** **07-01**
(52) **U.S. Cl.**
USPC **D7/391**
(58) **Field of Classification Search**
USPC D6/611; D12/401-405; D7/392.1, 504,
D7/357; D9/456, 454; 99/426, 427;
D14/440
See application file for complete search history.

(56) **References Cited**
U.S. PATENT DOCUMENTS
3,015,834 A * 1/1962 Marrinson et al. 15/228
D268,646 S * 4/1983 Hudson, Jr. D9/456
(Continued)

Primary Examiner — Deanna L Pratt
Assistant Examiner — Kendra L Hamilton
(74) *Attorney, Agent, or Firm* — Nixon Peabody LLP

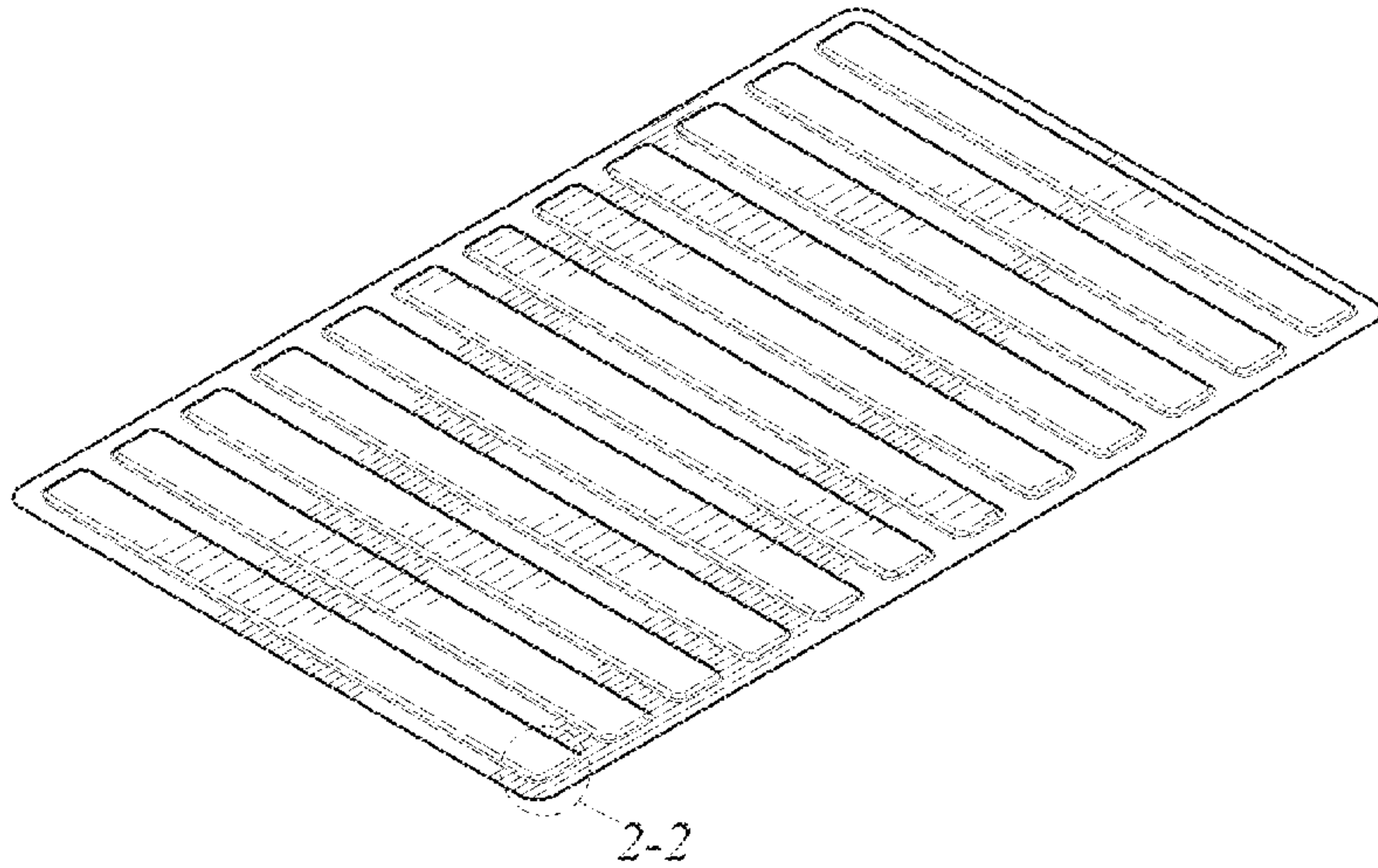
(57) **CLAIM**
We claim the ornamental design for a flexible container cover,
as shown and described.

DESCRIPTION

FIG. 1 illustrates a perspective top view of a flexible container cover according to a first embodiment of the present invention.
FIG. 2 is an enlarged view of portion 1-1 of FIG. 1.
FIG. 3 illustrates a perspective bottom view of the flexible container cover of FIG. 1.
FIG. 4 is a top view of the flexible container cover of FIG. 1.

FIG. 5 is a first side view along a first axis of the flexible container cover of FIG. 4.
FIG. 6 is a second side view along a second axis of the flexible container cover of FIG. 4.
FIG. 7 is a first side view along a first axis of the flexible container cover of FIG. 8.
FIG. 8 is a bottom view of the flexible container cover of FIG. 1.
FIG. 9 is a second side view along a second axis of the flexible container cover of FIG. 8.
FIG. 10 is a cross-sectional view taken along line 10-10 in FIG. 4.
FIG. 11 is an enlarged view taken along line 11-11 of FIG. 6.
FIG. 12 is a cross-sectional view taken along line 12-12 in FIG. 4.
FIG. 13 is an enlarged view taken along line 13-13 of FIG. 5.
FIG. 14 illustrates a perspective top view of a flexible container cover according to a second embodiment of the present invention.
FIG. 15 is an enlarged view of portion 15-15 of FIG. 14.
FIG. 16 illustrates a perspective bottom view of the flexible container cover of FIG. 14.
FIG. 17 is a top view of the flexible container cover of FIG. 14.
FIG. 18 is a first side view along a first axis of the flexible container cover of FIG. 17.
FIG. 19 is a second side view along a second axis of the flexible container cover of FIG. 17.
FIG. 20 is a second side view along a second axis of the flexible container cover of FIG. 21.
FIG. 21 is a bottom view of the flexible container cover of FIG. 14.
FIG. 22 is a first side view along a first axis of the flexible container cover of FIG. 21.
FIG. 23 is a cross-sectional view taken along line 23-23 in FIG. 17.
FIG. 24 is an enlarged view taken along line 24-24 of FIG. 19.
FIG. 25 is a cross-sectional view taken along line 25-25 in FIG. 17; and,
FIG. 26 is an enlarged view taken along line 26-26 of FIG. 18. Broken lines, where used, are only for illustrative purposes to show visible environmental structure and form no part of the claimed invention.

1 Claim, 8 Drawing Sheets



(56)

References Cited

U.S. PATENT DOCUMENTS

D365,732 S * 1/1996 Kellen et al. D7/701
D480,971 S * 10/2003 DeLuca et al. D9/456
D508,368 S * 8/2005 Lion et al. D7/388
D518,330 S * 4/2006 Doran et al. D7/357
D542,780 S * 5/2007 Nguyen et al. D14/217
D560,425 S * 1/2008 Choi D7/368
D560,947 S * 2/2008 Kreucher D6/601
D591,013 S * 4/2009 Mose D30/199

D592,402 S * 5/2009 Ahlgrim et al. D3/318
D596,305 S * 7/2009 Usui et al. D24/206
D602,733 S * 10/2009 Huber D7/388
D651,043 S * 12/2011 Sarnoff et al. D7/409
D654,162 S * 2/2012 Sykes D23/393
D663,304 S * 7/2012 Akana et al. D14/440
D679,715 S * 4/2013 Akana et al. D14/440
D682,836 S * 5/2013 Akana et al. D14/440
D685,916 S * 7/2013 Høglund D24/206
D691,805 S * 10/2013 Chang D3/301

* cited by examiner

FIG. 1

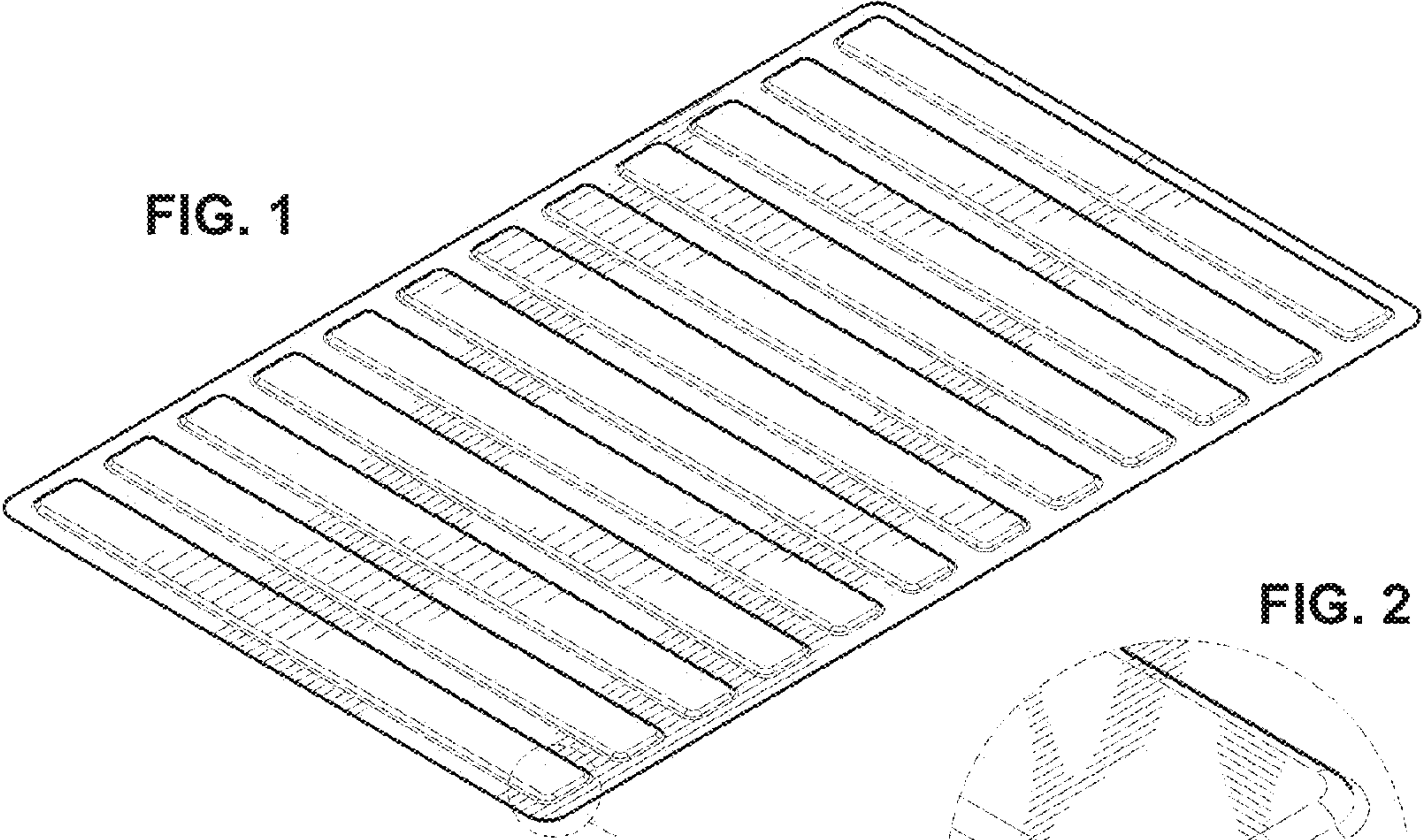
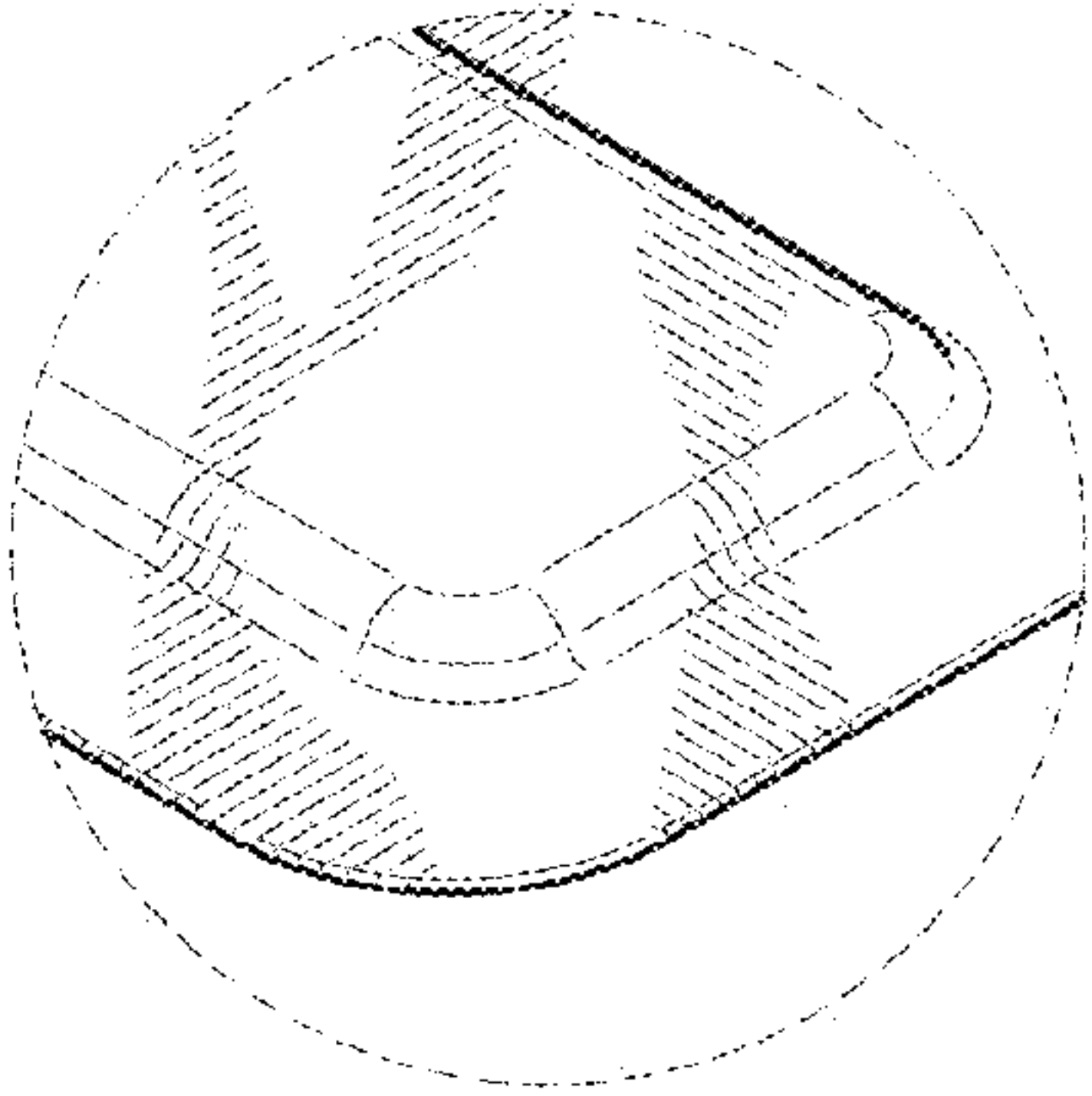


FIG. 2



2-2

FIG. 3

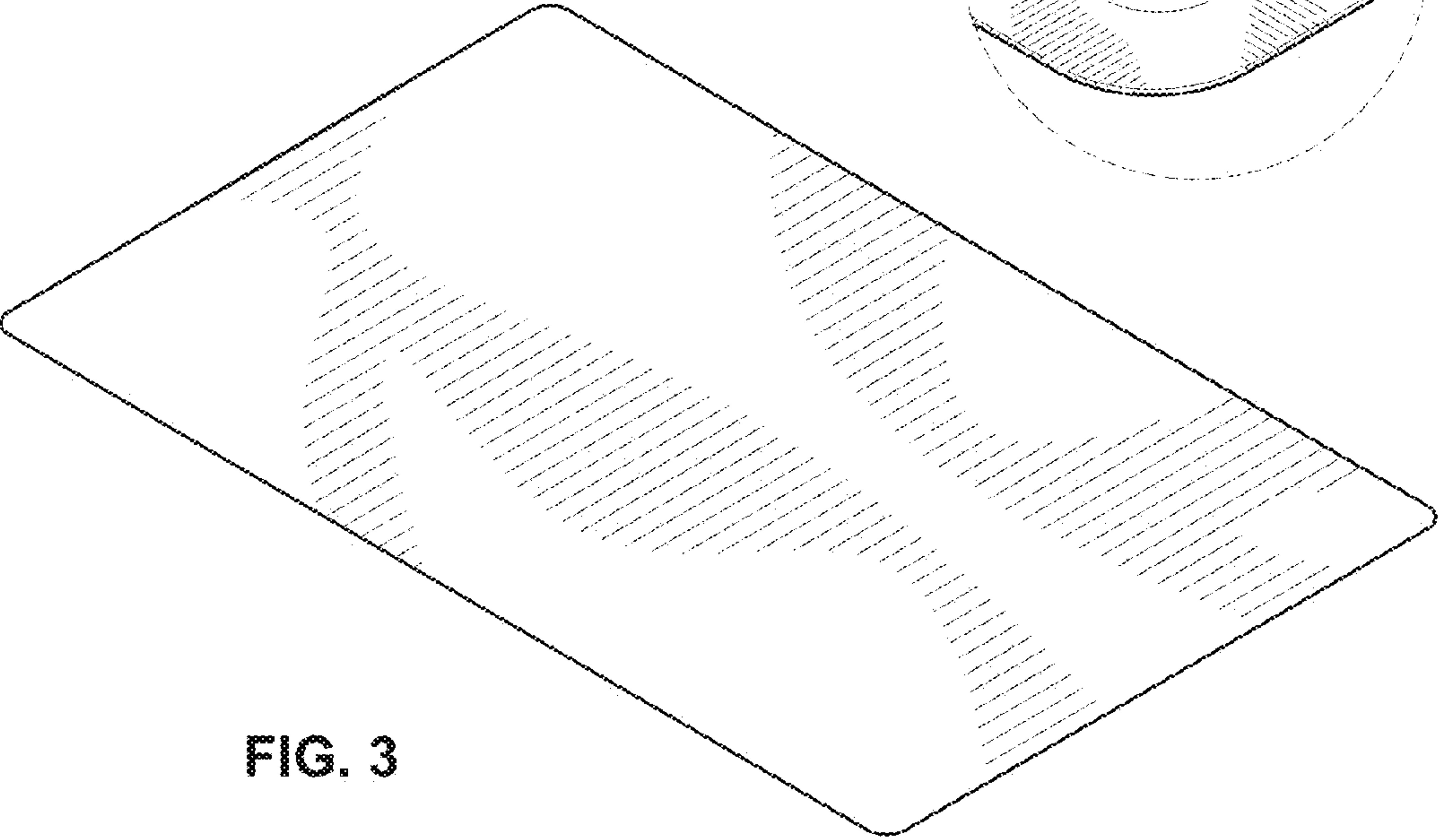


FIG. 5

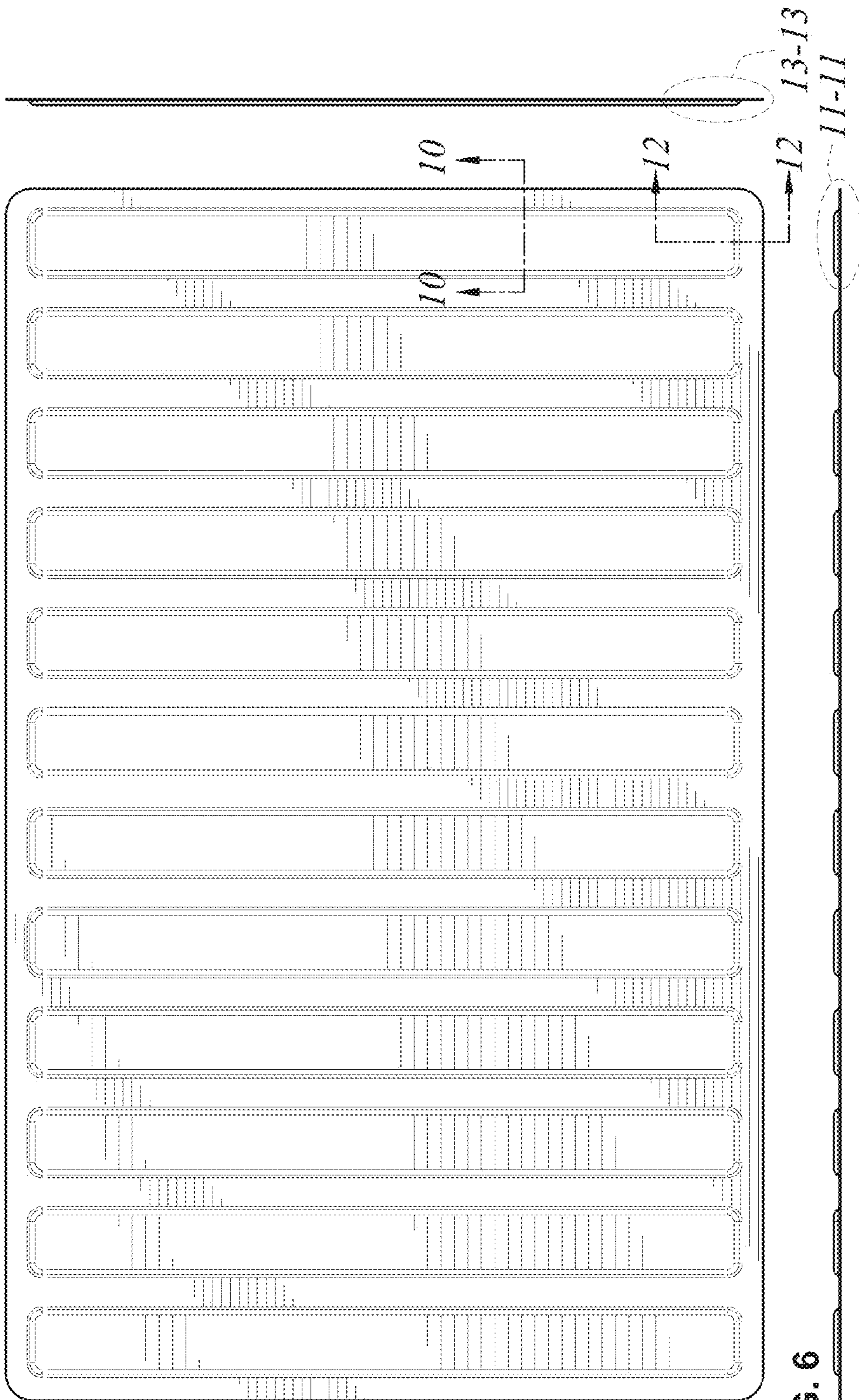


FIG. 4

FIG. 6



FIG. 7

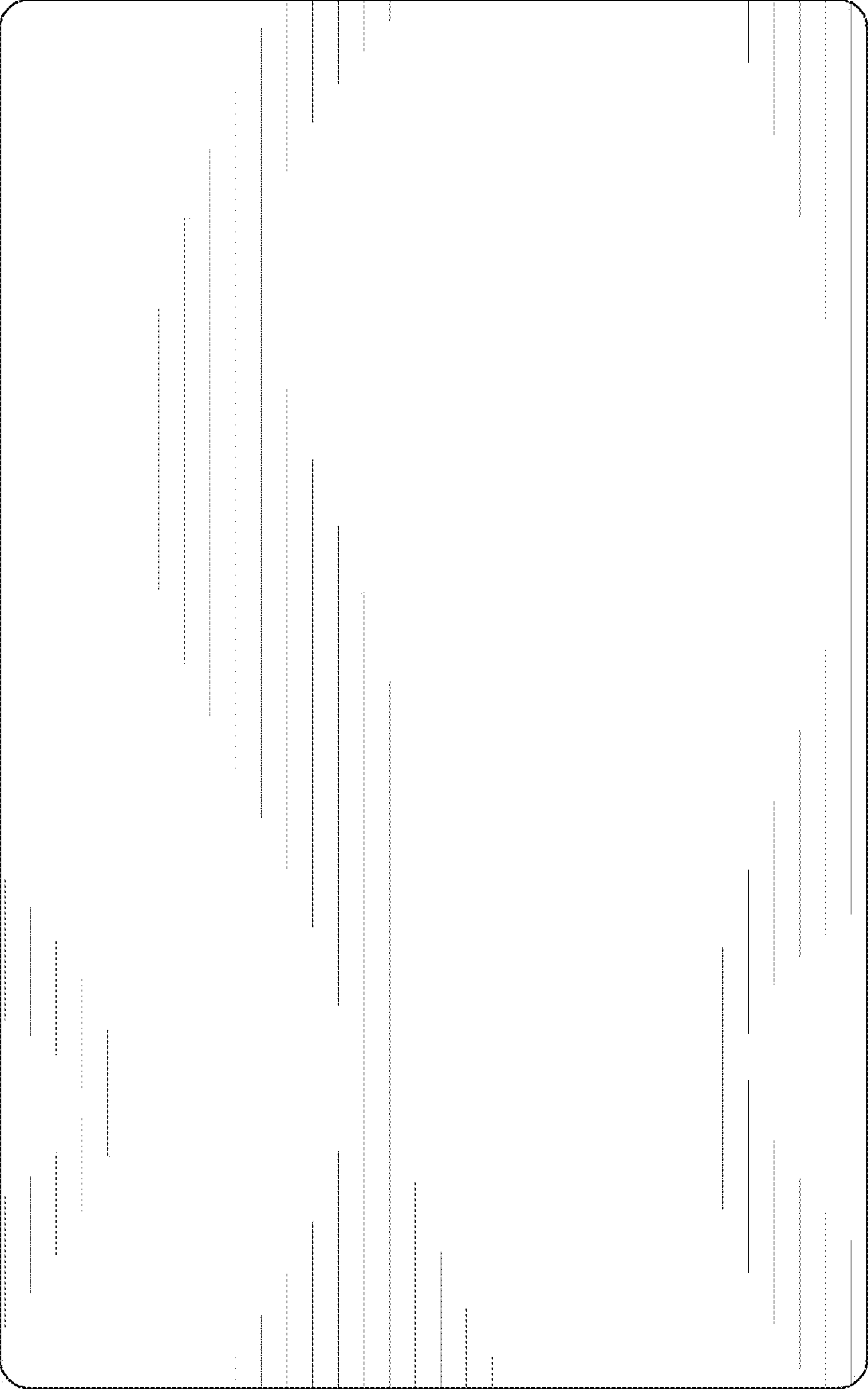


FIG. 8



FIG. 9



FIG. 10

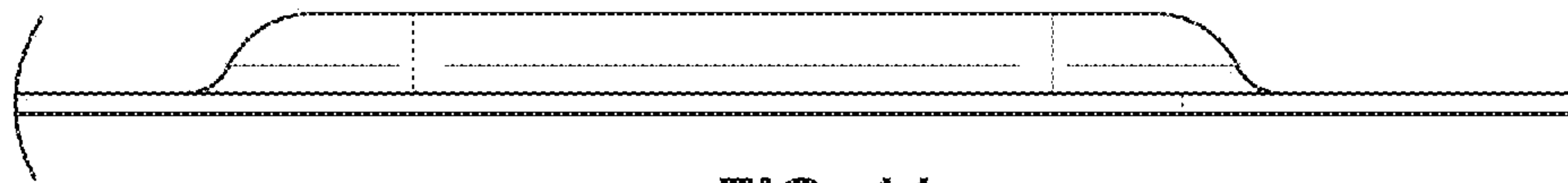


FIG. 11



FIG. 12

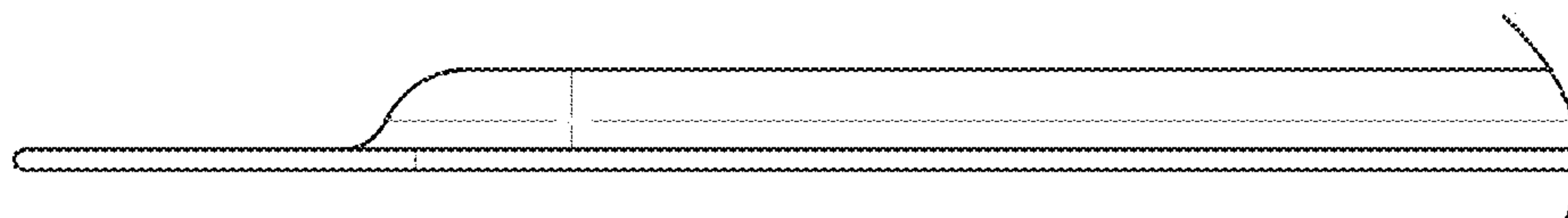


FIG. 13

FIG. 14

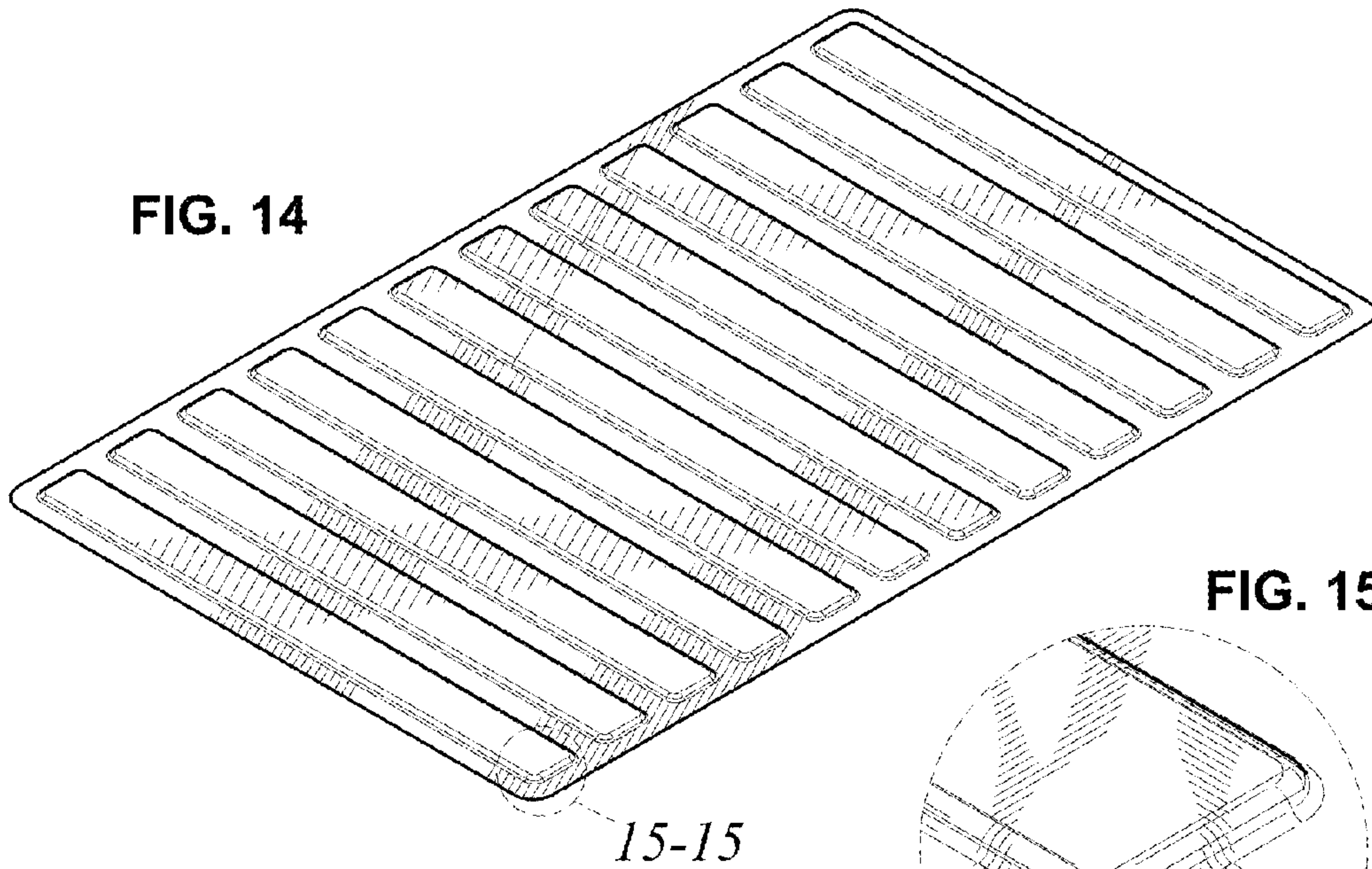


FIG. 15

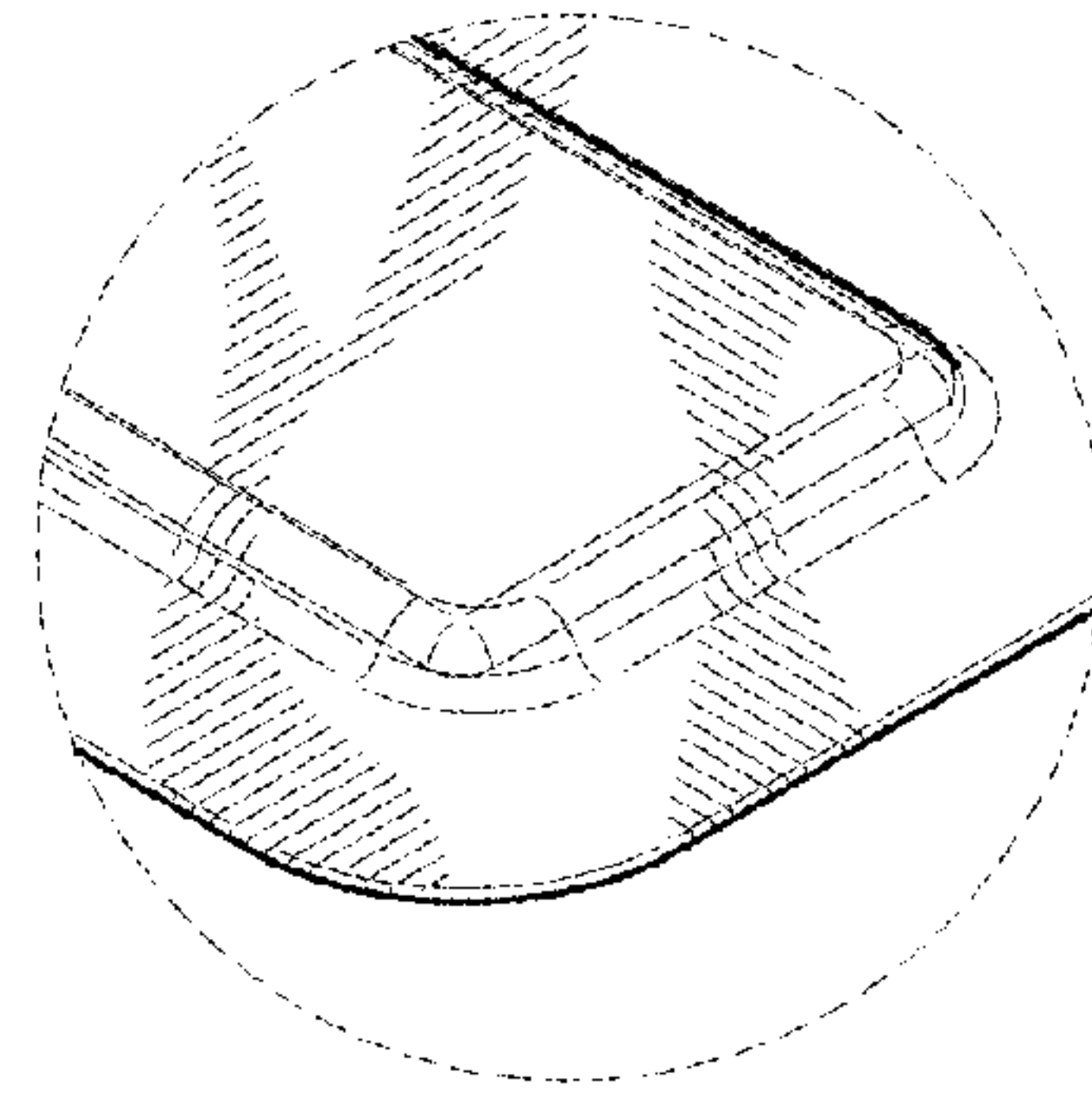


FIG. 16

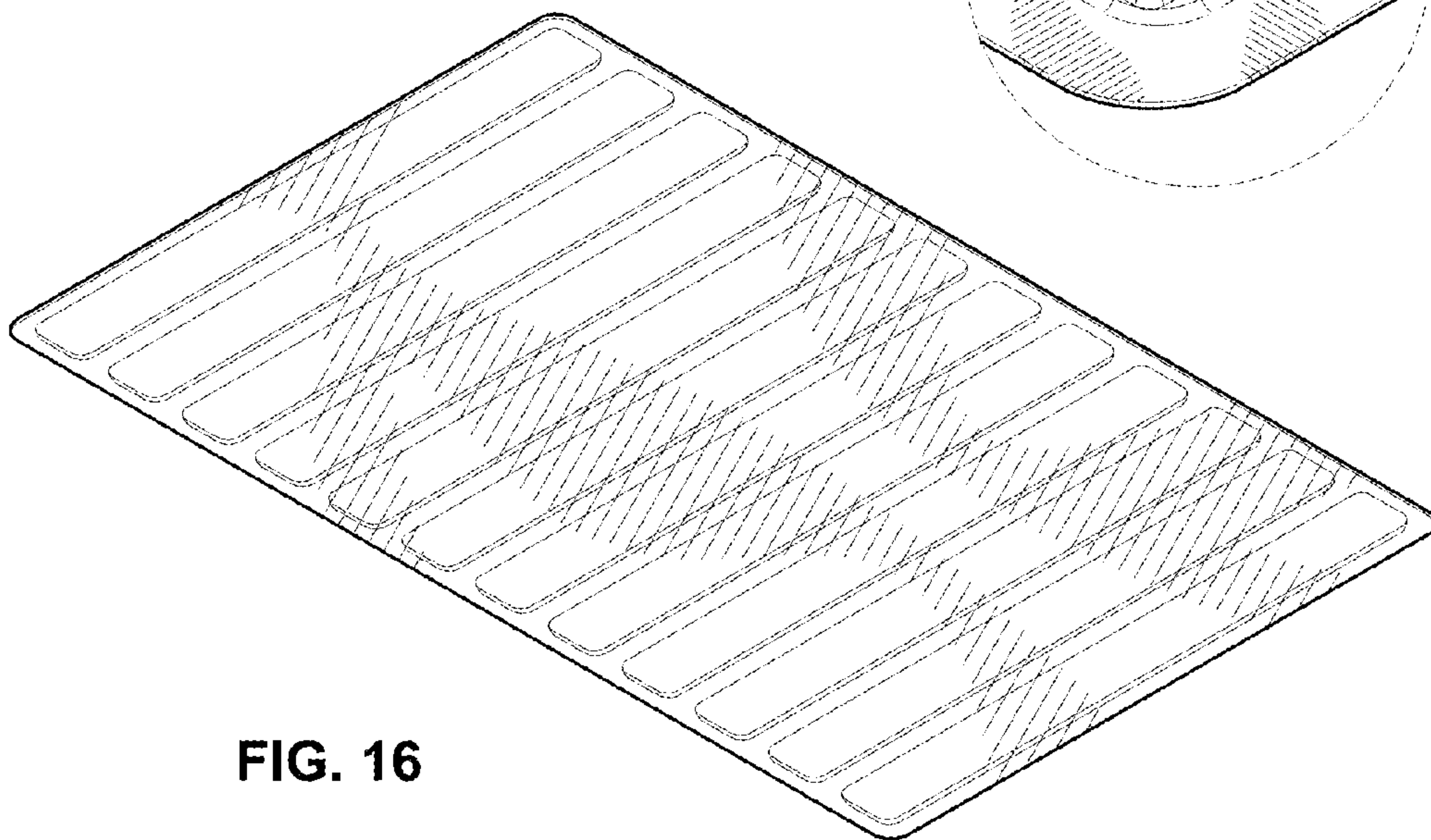


FIG. 18

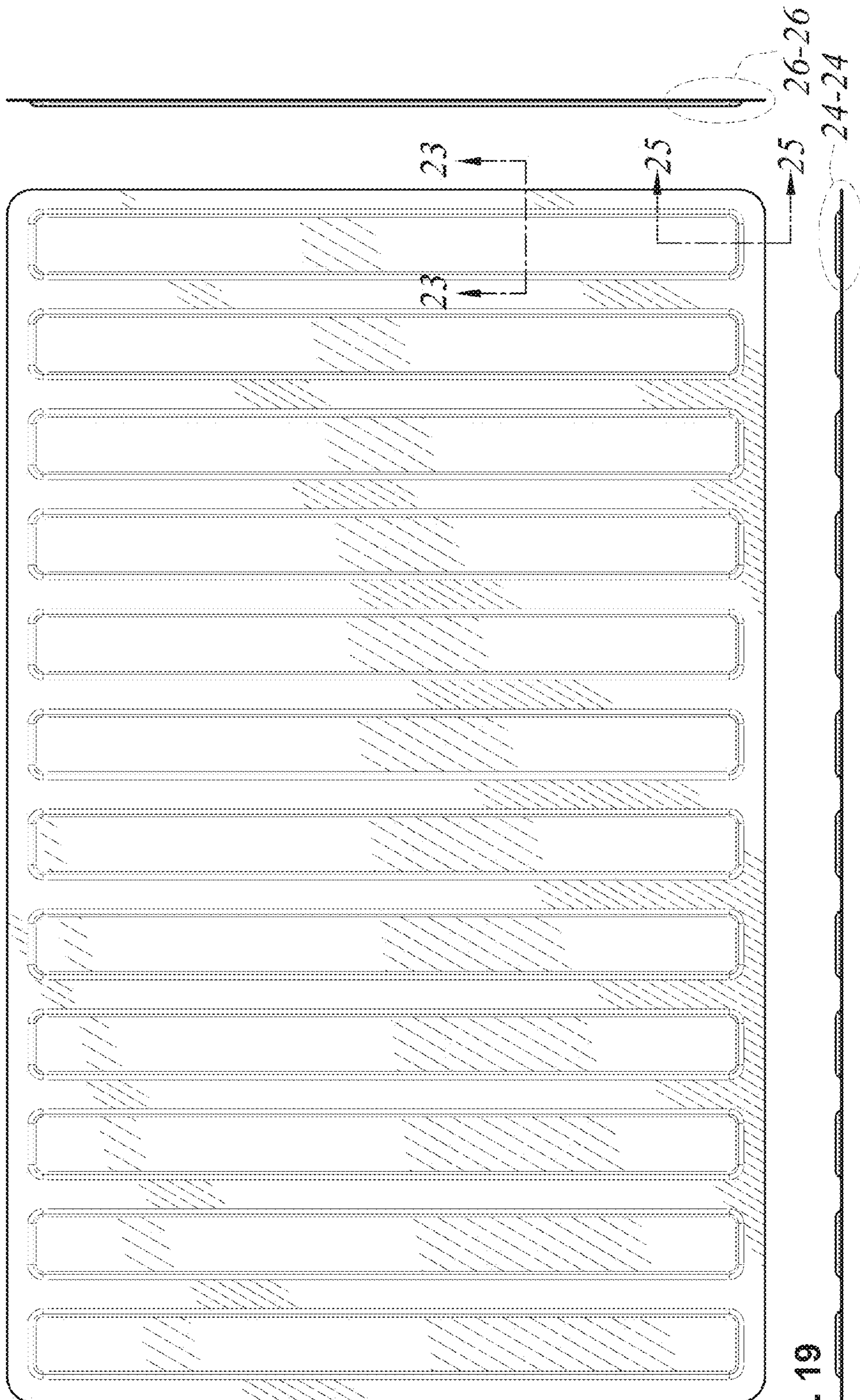


FIG. 17

FIG. 19



FIG. 20

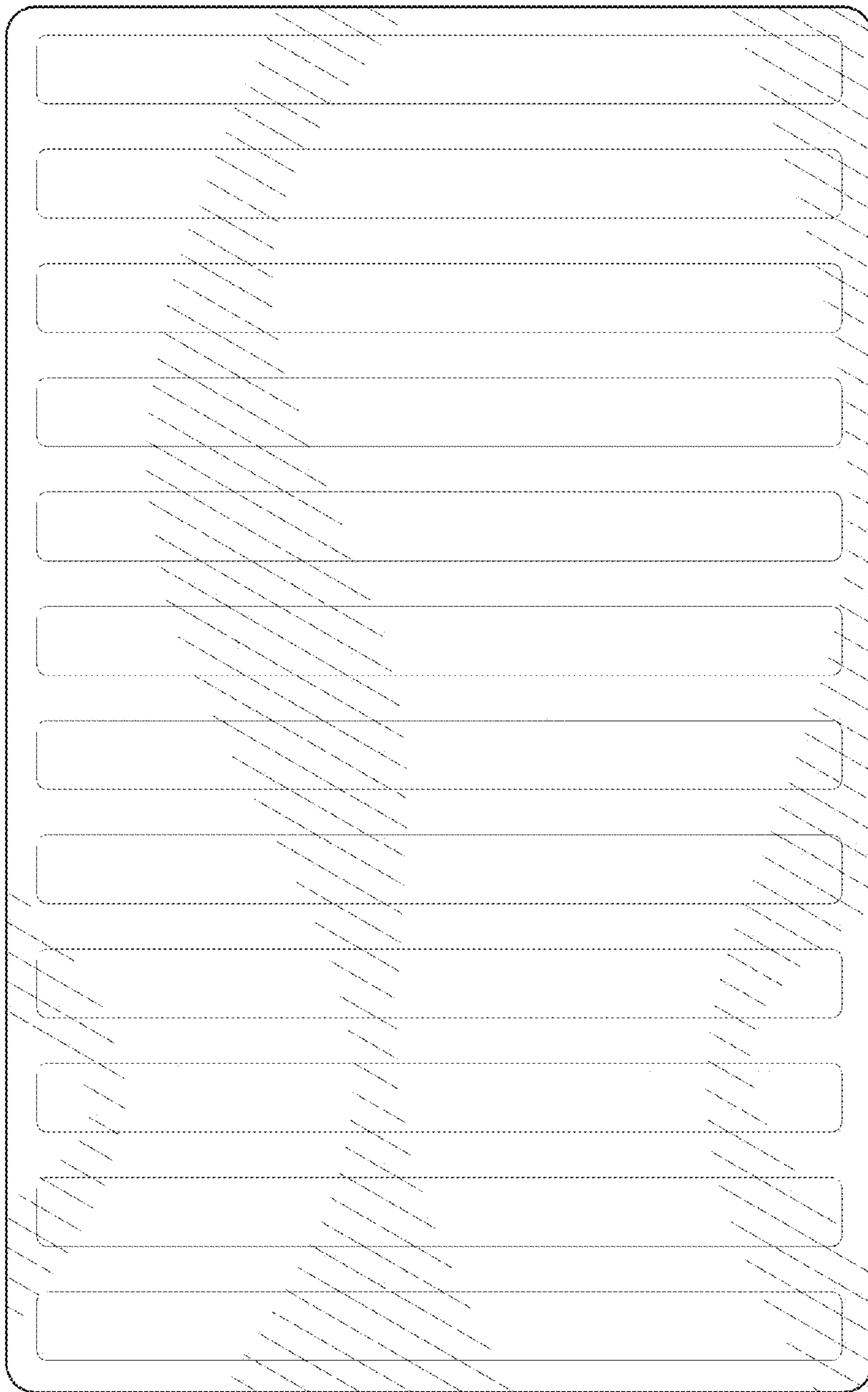


FIG. 21



FIG. 22



FIG. 23

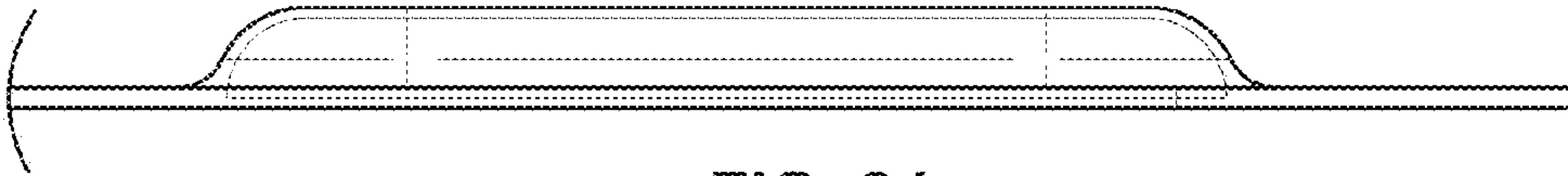


FIG. 24



FIG. 25

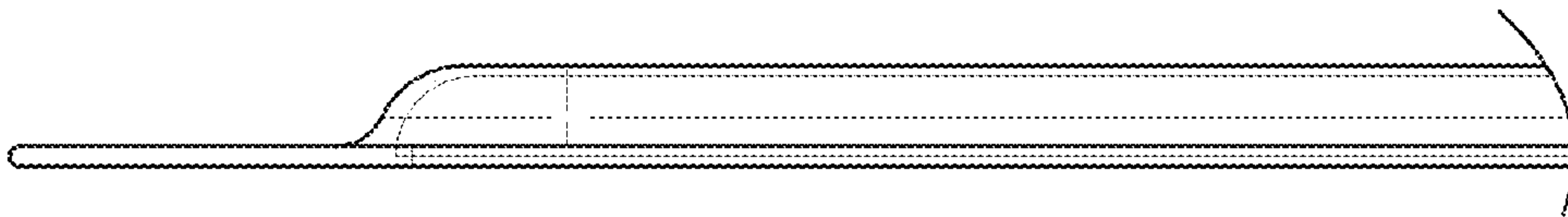


FIG. 26