



US00D718085S

(12) **United States Design Patent**
Elek et al.

(10) **Patent No.:** **US D718,085 S**

(45) **Date of Patent:** **** Nov. 25, 2014**

(54) **FOOD SLICER**

83/859; 99/537, 543; 134/6; 451/422, 444
See application file for complete search history.

(71) Applicant: **Edgcraft Corporation**, Avondale, PA
(US)

(56) **References Cited**

(72) Inventors: **Bela Elek**, Wilmington, DE (US);
Daniel D. Friel, Jr., Kennett Square, PA
(US); **Samuel Weiner**, Wilmington, DE
(US)

U.S. PATENT DOCUMENTS

(73) Assignee: **Edgcraft Corporation**, Avondale, PA
(US)

2,086,759	A *	7/1937	Wood	83/730
D107,855	S *	1/1938	Dapp	D7/383
D113,839	S *	3/1939	Hand	D7/383
D129,559	S	9/1941	Wood	D7/383
D135,739	S *	6/1943	Arens et al.	D7/383
D145,406	S	8/1946	Meyer	D7/383
D155,292	S	9/1949	Klingens et al.	D7/383
2,486,797	A *	11/1949	Meyer	451/422
D162,996	S *	4/1951	Sivertsen	D7/383
2,563,120	A *	8/1951	Klingens et al.	83/94
D165,082	S *	11/1951	Little	D7/383
2,573,861	A *	11/1951	Meeker et al.	83/729

(**) Term: **14 Years**

(21) Appl. No.: **29/491,472**

(22) Filed: **May 21, 2014**

(Continued)

Related U.S. Application Data

Primary Examiner — Ricky Pham

(63) Continuation-in-part of application No. 29/479,124,
filed on Jan. 13, 2014, now abandoned.

(74) *Attorney, Agent, or Firm* — Drinker Biddle & Reath

(51) **LOC (10) Cl.** **31-00**

(57) **CLAIM**

(52) **U.S. Cl.**
USPC **D7/383**

The ornamental design for a food slicer, as shown and described.

(58) **Field of Classification Search**

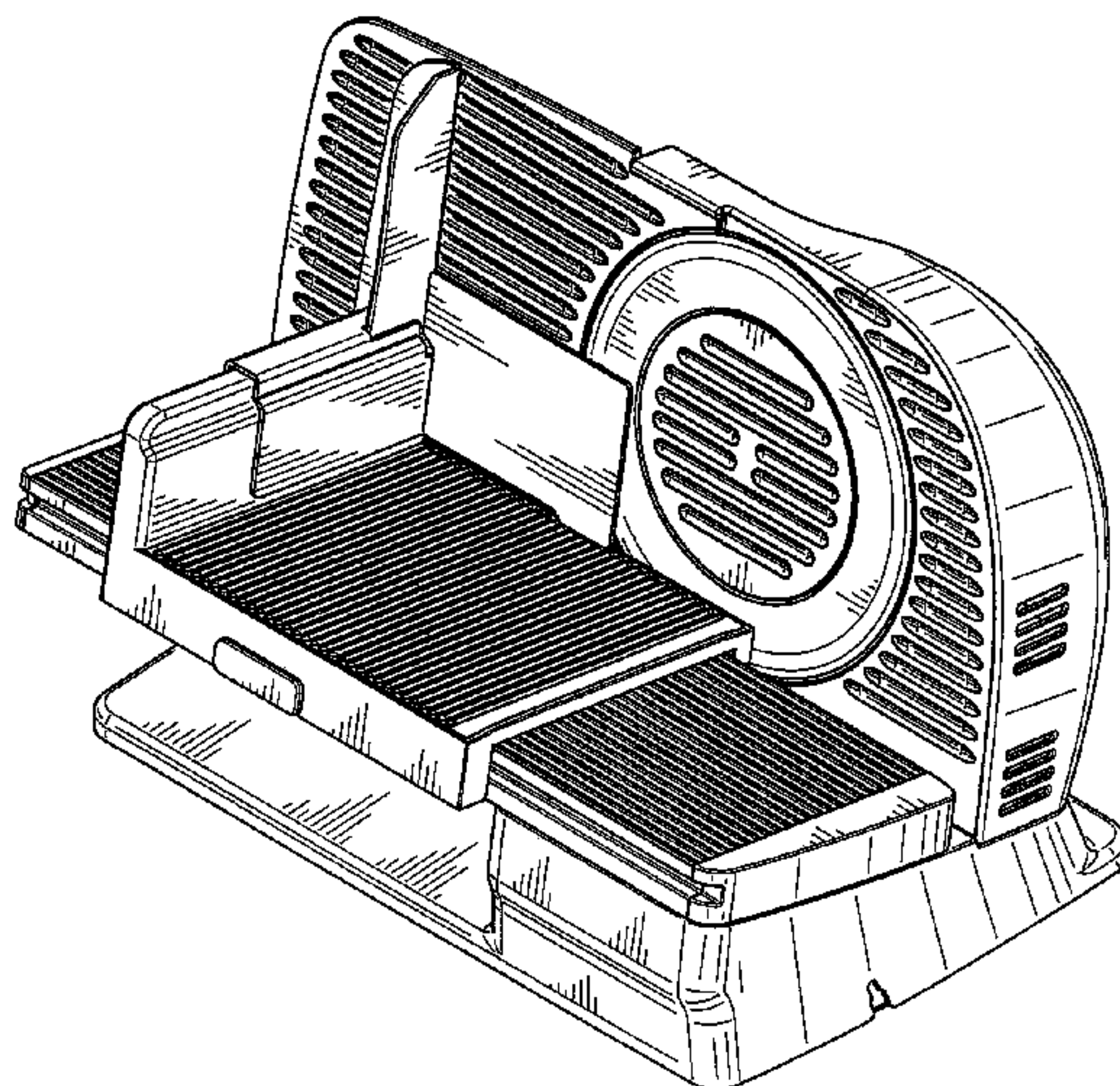
DESCRIPTION

CPC B26D 1/14; B26D 1/143; B26D 1/15;
B26D 1/153; B26D 1/157; B26D 1/18;
B26D 1/28; B26D 5/00; B26D 5/06; B26D
5/08; B26D 5/10; B26D 5/12; B26D 5/22;
B26D 5/26; B26D 5/38; B26D 5/42; B26D
7/00; B26D 7/01; B26D 7/08; B26D 7/088;
B26D 7/12; B26D 7/18; B26D 7/1818;
B26D 7/22; B26D 7/225; B26D 7/24; B26D
7/26; B26D 7/2614; B26D 7/2621; B26D
7/2628; B26D 7/2635; B26D 7/30; B26D
7/32; B26D 7/325; B24B 3/463; B27G 13/00;
B27G 13/005; B27G 13/10

USPC D7/376-386, 412; 83/13, 77, 91, 94,
83/102, 104, 167-168, 174.1, 247, 478,
83/546, 703, 707-708, 717, 729-730,

FIG. 1 is a front perspective view of a food slicer showing our new design;
FIG. 2 is a rear perspective view thereof;
FIG. 3 is a front elevational view thereof;
FIG. 4 is a left side elevational view thereof;
FIG. 5 is a right side elevational view thereof;
FIG. 6 is a top plan view thereof;
FIG. 7 is a rear elevational view thereof; and,
FIG. 8 is a bottom plan view thereof.
The broken lines in FIG. 8 illustrate portions of the design that form no part of the claim.

1 Claim, 8 Drawing Sheets



(56)

References Cited

U.S. PATENT DOCUMENTS

2,665,531 A *	1/1954	Sivertsen	451/444	5,478,404 A	12/1995	Kenamer	134/6
D180,304 S	5/1957	Van Duyn	D7/383	5,509,337 A *	4/1996	Norman et al.	83/546
2,827,092 A *	3/1958	Fehlmann	83/717	5,970,840 A *	10/1999	Yan et al.	83/717
D230,630 S	3/1974	McCue	D7/383	D418,011 S *	12/1999	van Dullemen et al.	D7/383
D239,462 S *	4/1976	Gourley	D7/383	D418,012 S	12/1999	Van Dullemen et al.	D7/383
D262,860 S	2/1982	Loiseau	D7/383	D424,867 S *	5/2000	Van Dullemen	D7/383
D263,594 S *	3/1982	Kuchler	D7/383	6,119,566 A *	9/2000	Yan et al.	83/13
D263,712 S *	4/1982	Rixen	D7/383	D439,587 S	3/2001	Lauer	D7/383
D263,841 S	4/1982	Rinaldi	D7/383	D488,953 S	4/2004	Friel, Sr.	D7/383
D264,720 S	6/1982	Fuse	D7/383	D513,682 S	1/2006	Friel, Sr. et al.	D7/383
4,345,498 A	8/1982	Best	83/707	D544,747 S *	6/2007	Biddle et al.	D7/383
D269,347 S	6/1983	Cantatore et al.	D7/383	7,234,382 B2 *	6/2007	Zhu	83/729
4,817,480 A *	4/1989	Young	83/174.1	D548,517 S *	8/2007	Piret	D7/381
D310,934 S	10/1990	Storsberg	D7/383	7,832,317 B2 *	11/2010	Zeeb et al.	83/247
5,188,011 A	2/1993	Somal et al.	83/478	8,220,383 B2 *	7/2012	Rummel et al.	99/537
				2002/0069737 A1	6/2002	Zhu	83/91
				2010/0089254 A1 *	4/2010	Gosis et al.	99/537

* cited by examiner

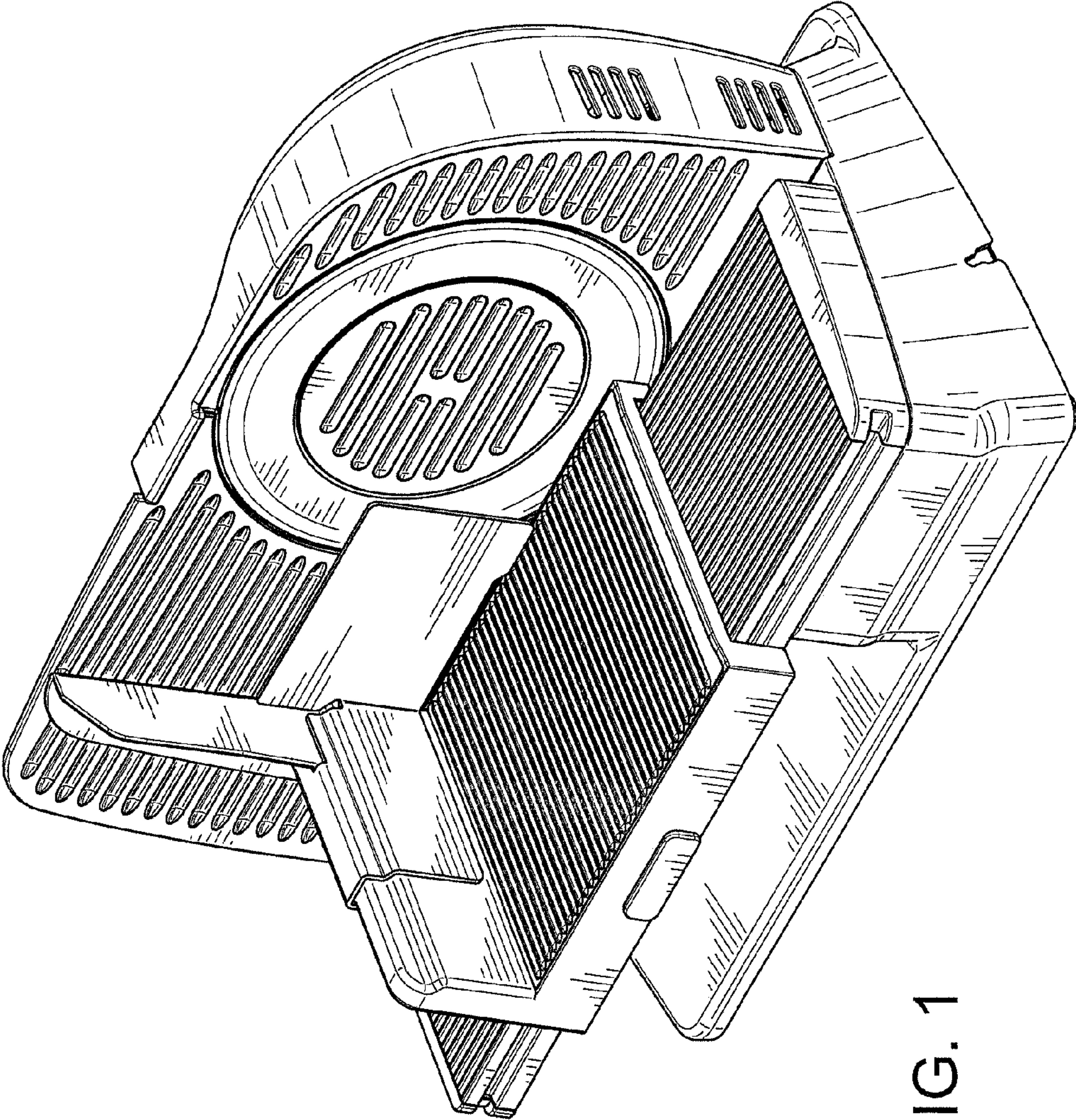


FIG. 1

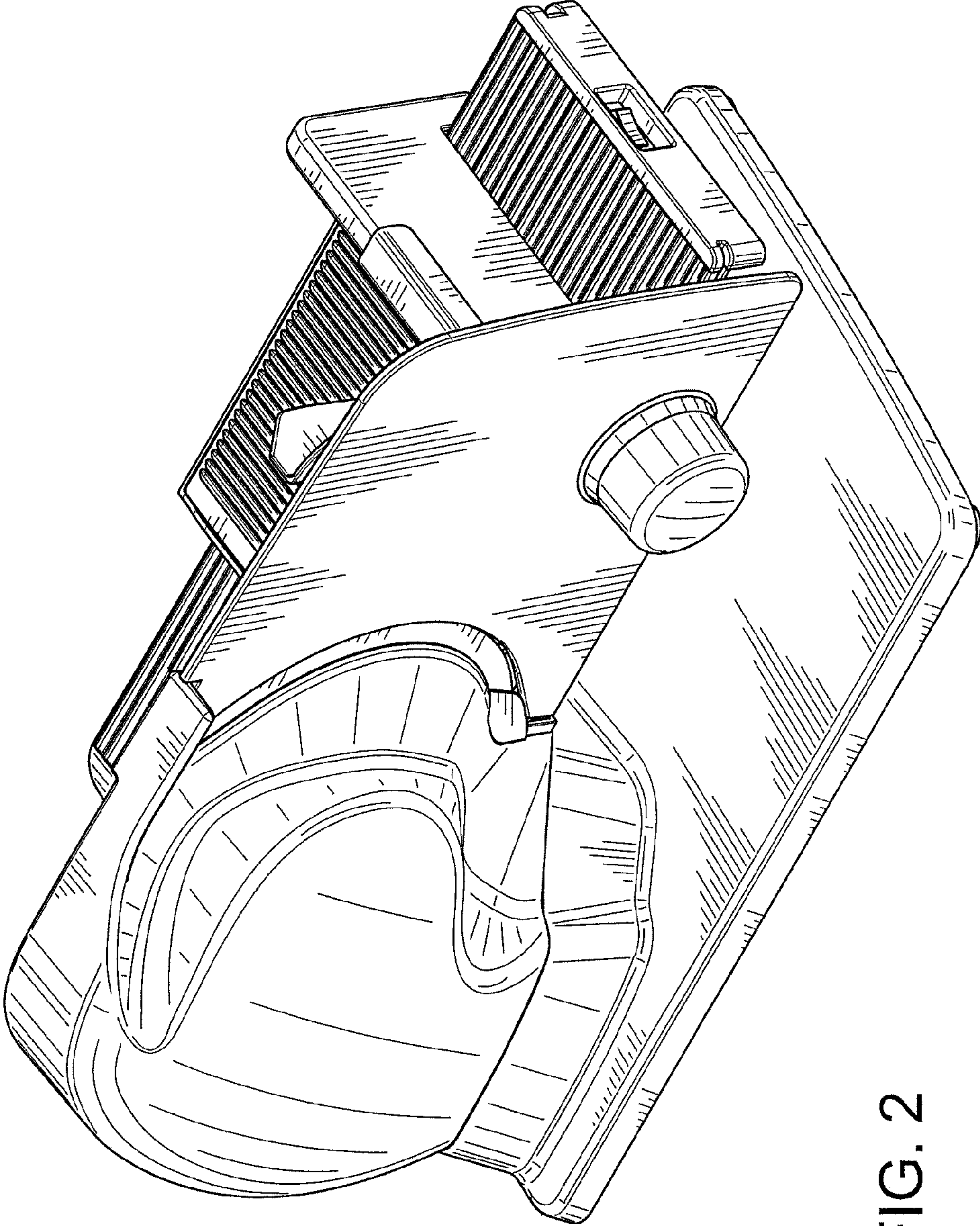


FIG. 2

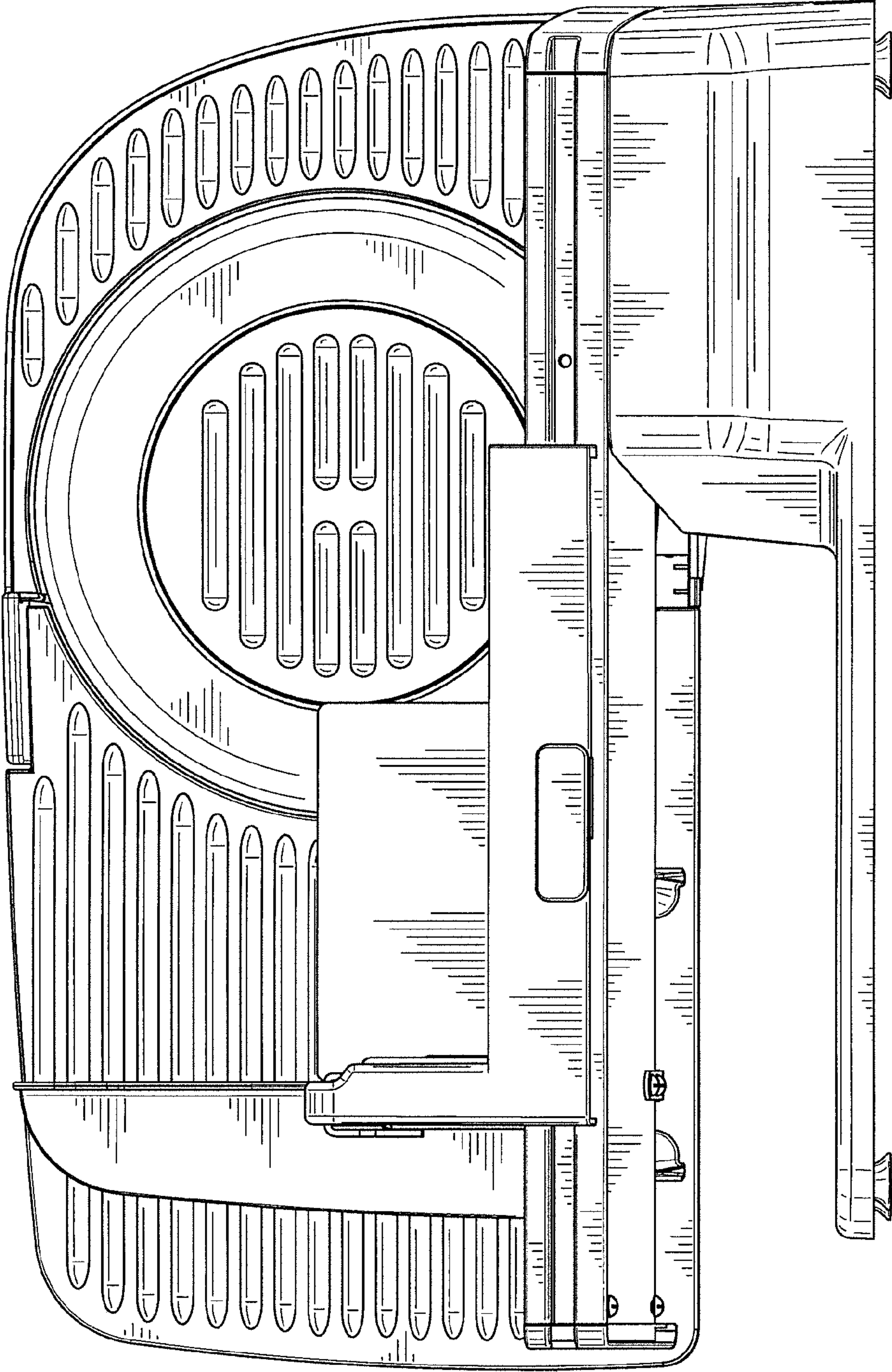


FIG. 3

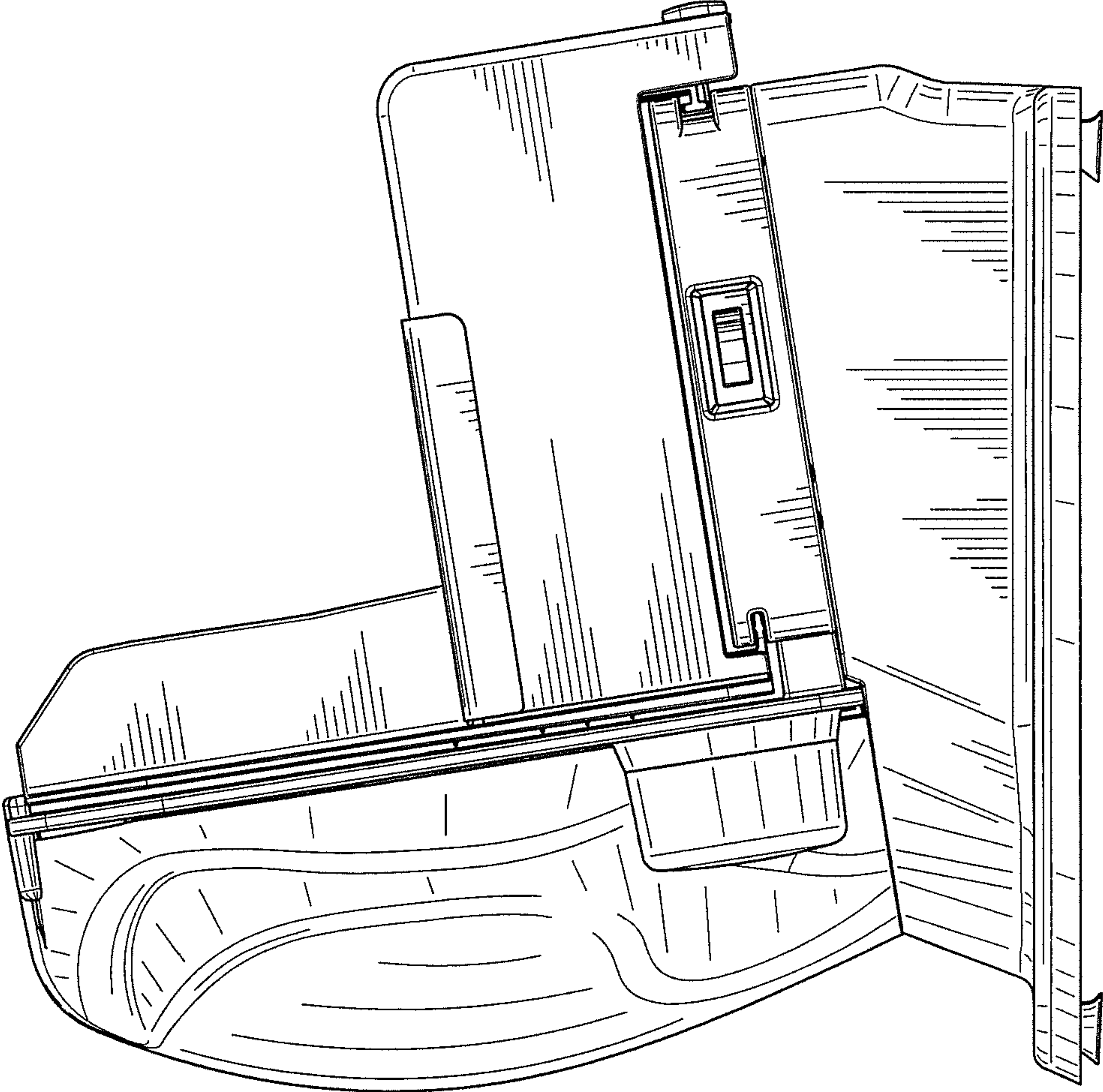


FIG. 4

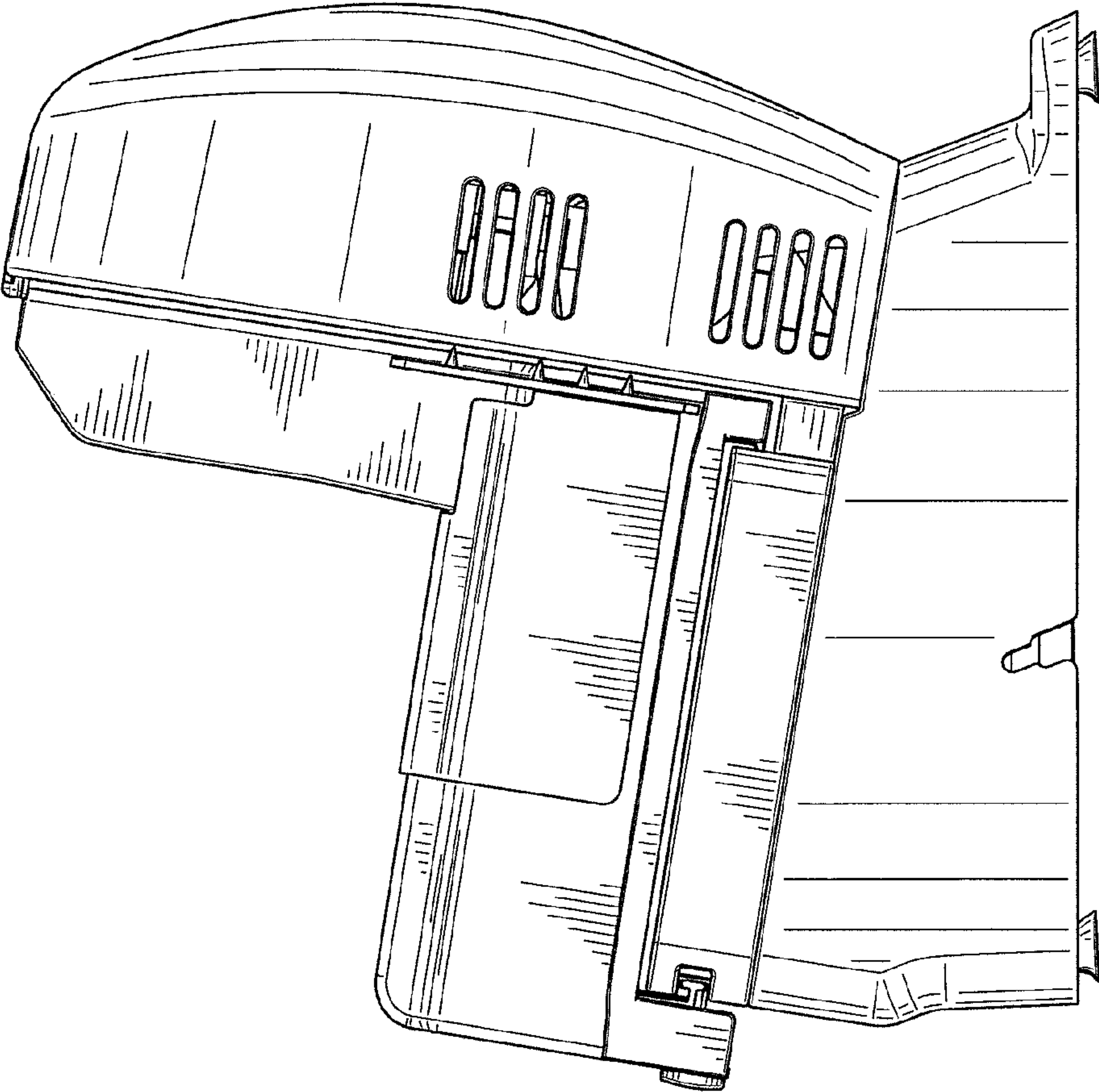


FIG. 5

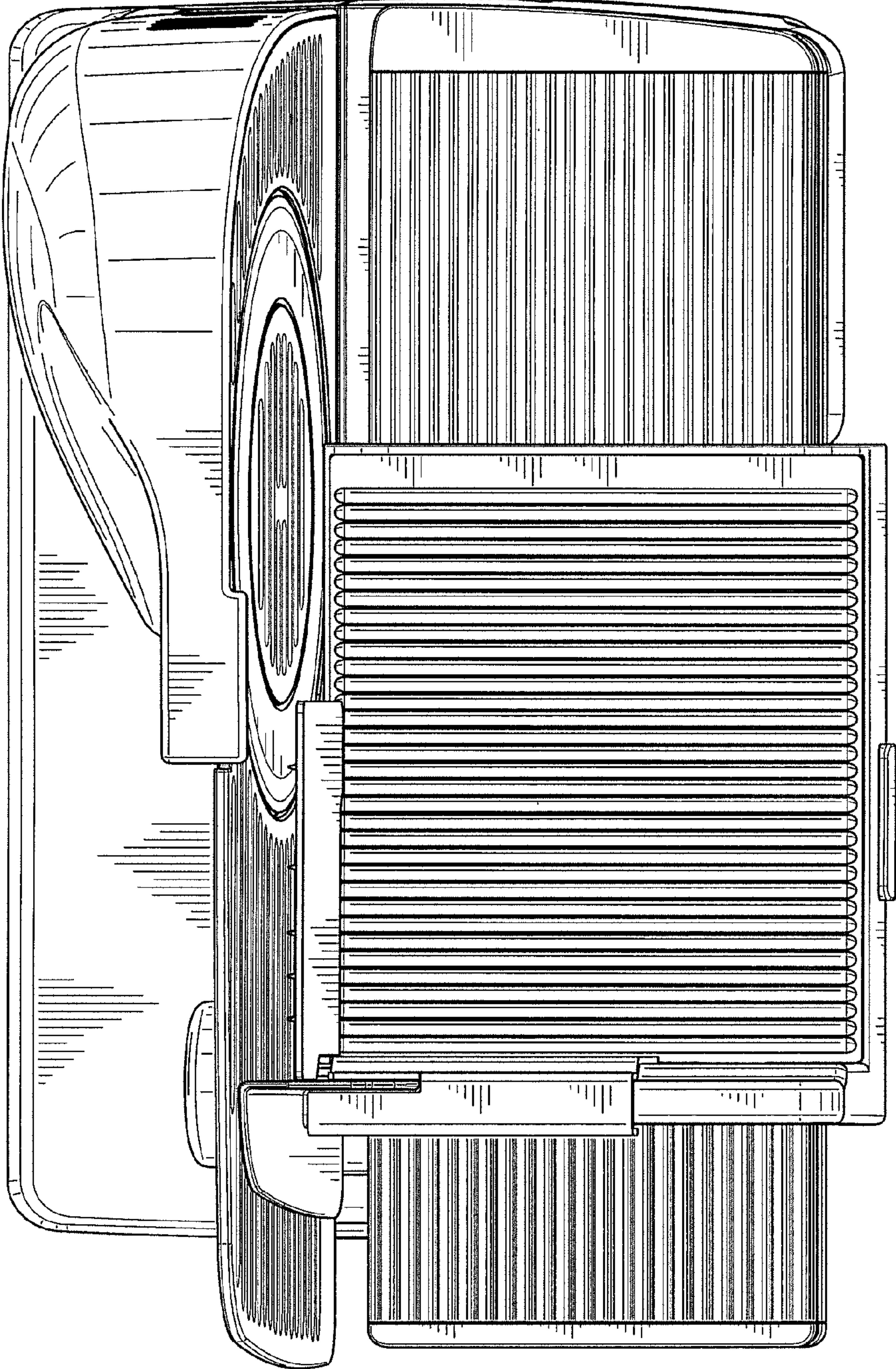


FIG. 6

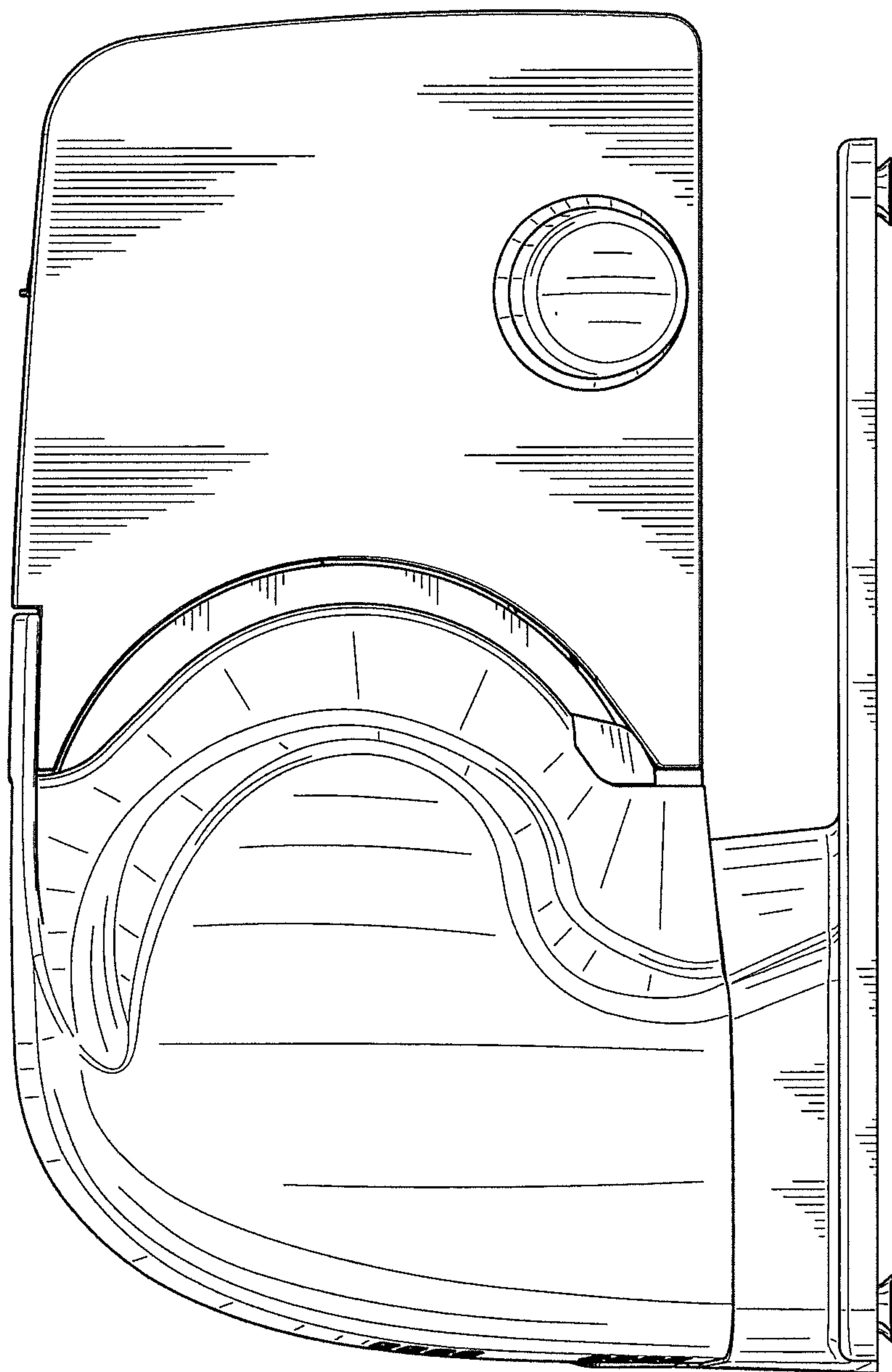


FIG. 7

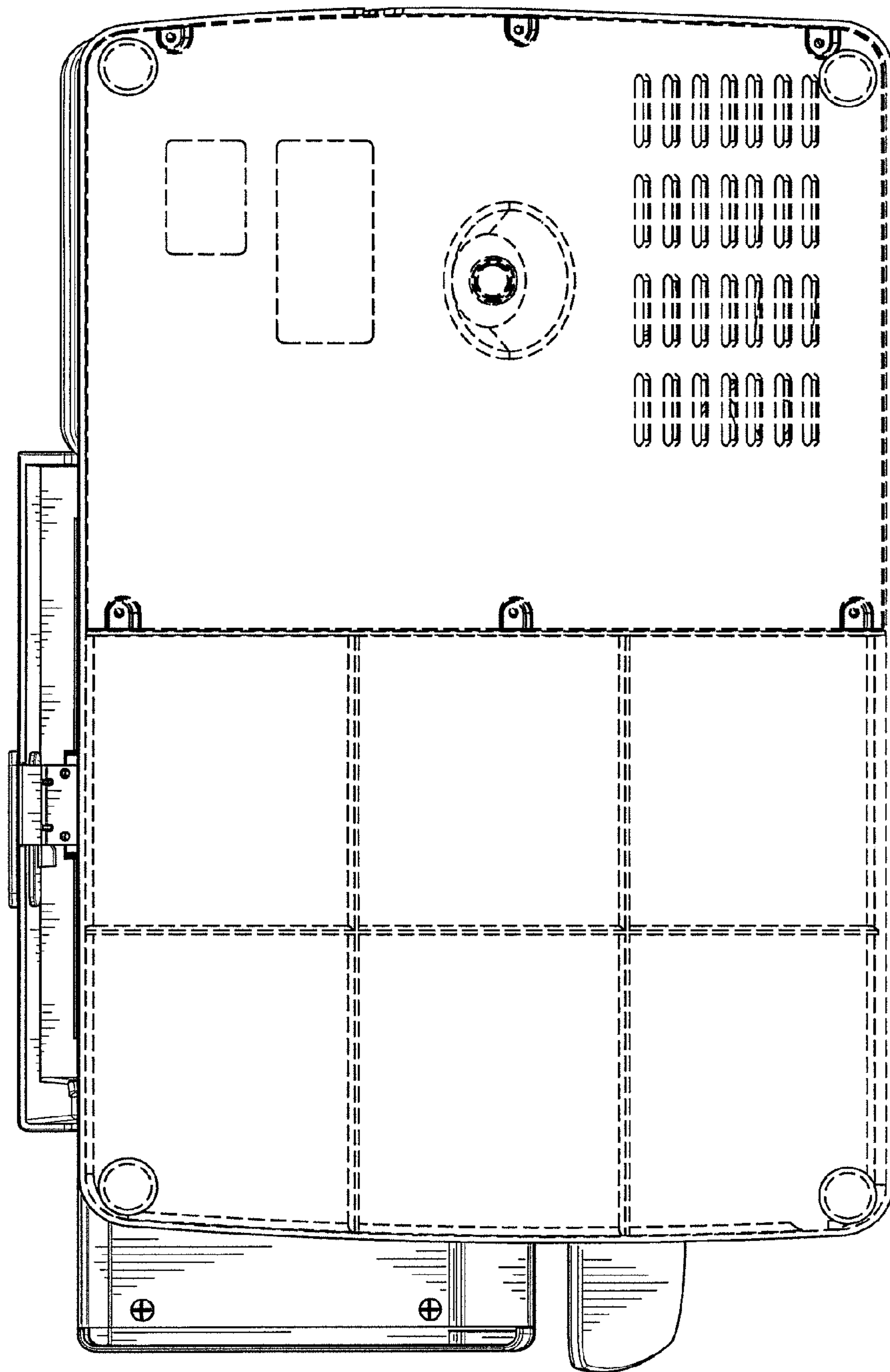


FIG. 8