



US00D718084S

(12) **United States Design Patent**
Kim et al.

(10) **Patent No.:** **US D718,084 S**

(45) **Date of Patent:** **** Nov. 25, 2014**

(54) **MICROWAVE OVEN**

(71) Applicant: **Samsung Electronics Co., Ltd.**,
Suwon-si (KR)

(72) Inventors: **Tai Kyung Kim**, Seoul (KR); **Jaejun Kim**, Seoul (KR)

(73) Assignee: **Samsung Electronics Co., Ltd.**,
Suwon-si (KR)

(**) Term: **14 Years**

(21) Appl. No.: **29/462,294**

(22) Filed: **Aug. 1, 2013**

(30) **Foreign Application Priority Data**

Feb. 5, 2013 (KR) 30-2013-6344

(51) **LOC (10) Cl.** **07-02**

(52) **U.S. Cl.**
USPC **D7/351**

(58) **Field of Classification Search**
USPC D7/350.1, 350.3, 350.4, 351, 402, 405,
D7/406; 219/756-758; 126/19 M, 21 A,
126/275 E

See application file for complete search history.

(56) **References Cited**

U.S. PATENT DOCUMENTS

D253,575 S * 12/1979 Scott et al. D7/351

D310,616 S * 9/1990 Murai et al. D7/351
D364,311 S * 11/1995 Kim D7/351
D371,042 S * 6/1996 Ozaki et al. D7/351
D436,285 S * 1/2001 Taira D7/351
D442,018 S * 5/2001 Kusachi et al. D7/351
D460,659 S * 7/2002 Hessen et al. D7/351
D654,314 S * 2/2012 Benold D7/405

* cited by examiner

Primary Examiner — Ruth McInroy

(74) *Attorney, Agent, or Firm* — NSIP Law

(57) **CLAIM**

We claim the ornamental design for a microwave oven, as shown and described.

DESCRIPTION

FIG. 1 is a front perspective view of a microwave oven, showing our new design;

FIG. 2 is a front view thereof;

FIG. 3 is a rear view thereof;

FIG. 4 is a left-side view thereof;

FIG. 5 is a right-side view thereof;

FIG. 6 is a top view thereof;

FIG. 7 is a bottom view thereof; and,

FIG. 8 is a perspective view thereof, showing the door in an open position.

The broken lines are for illustrative purposes only and form no part of the claimed design.

1 Claim, 8 Drawing Sheets

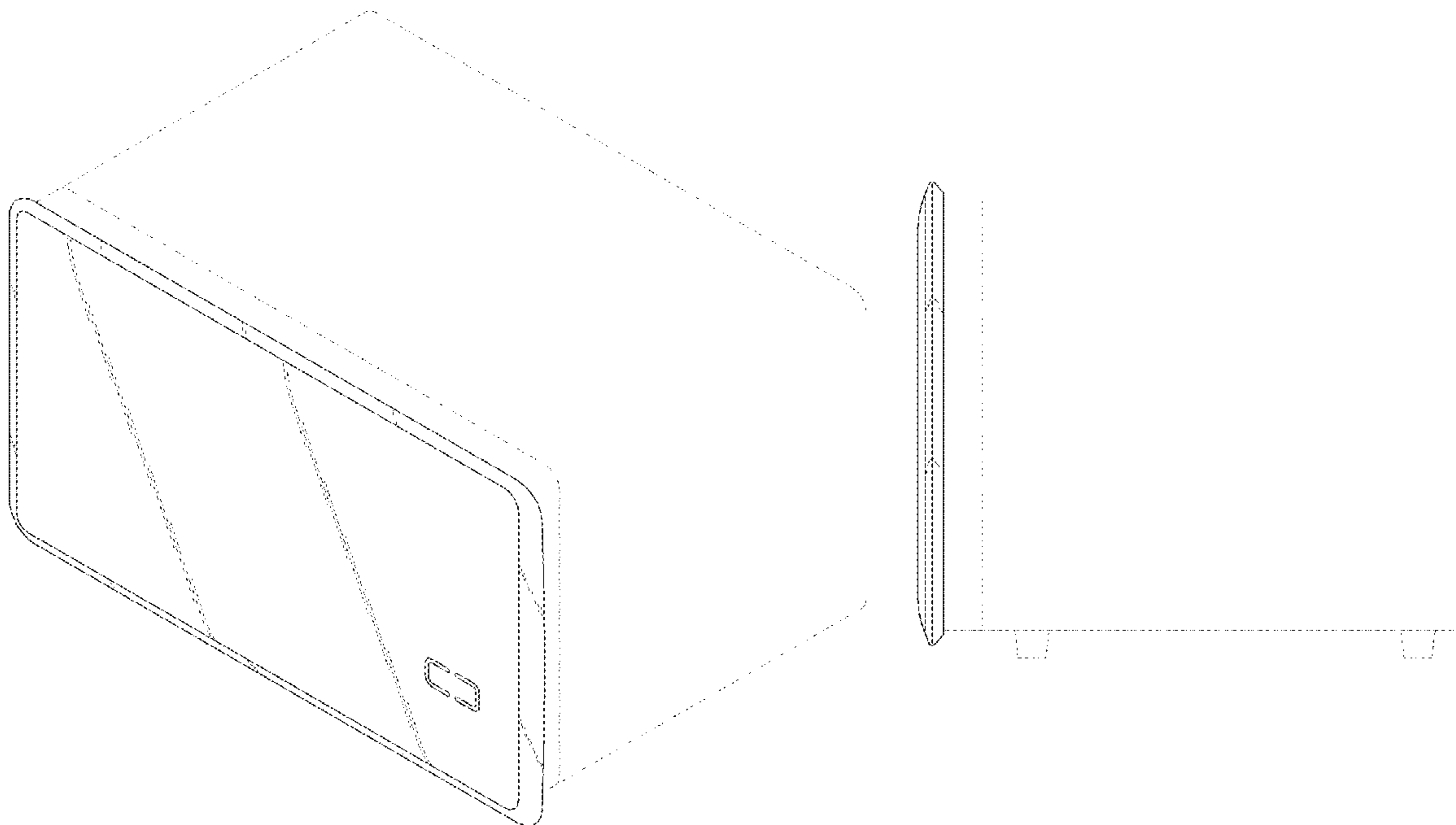


FIG. 1

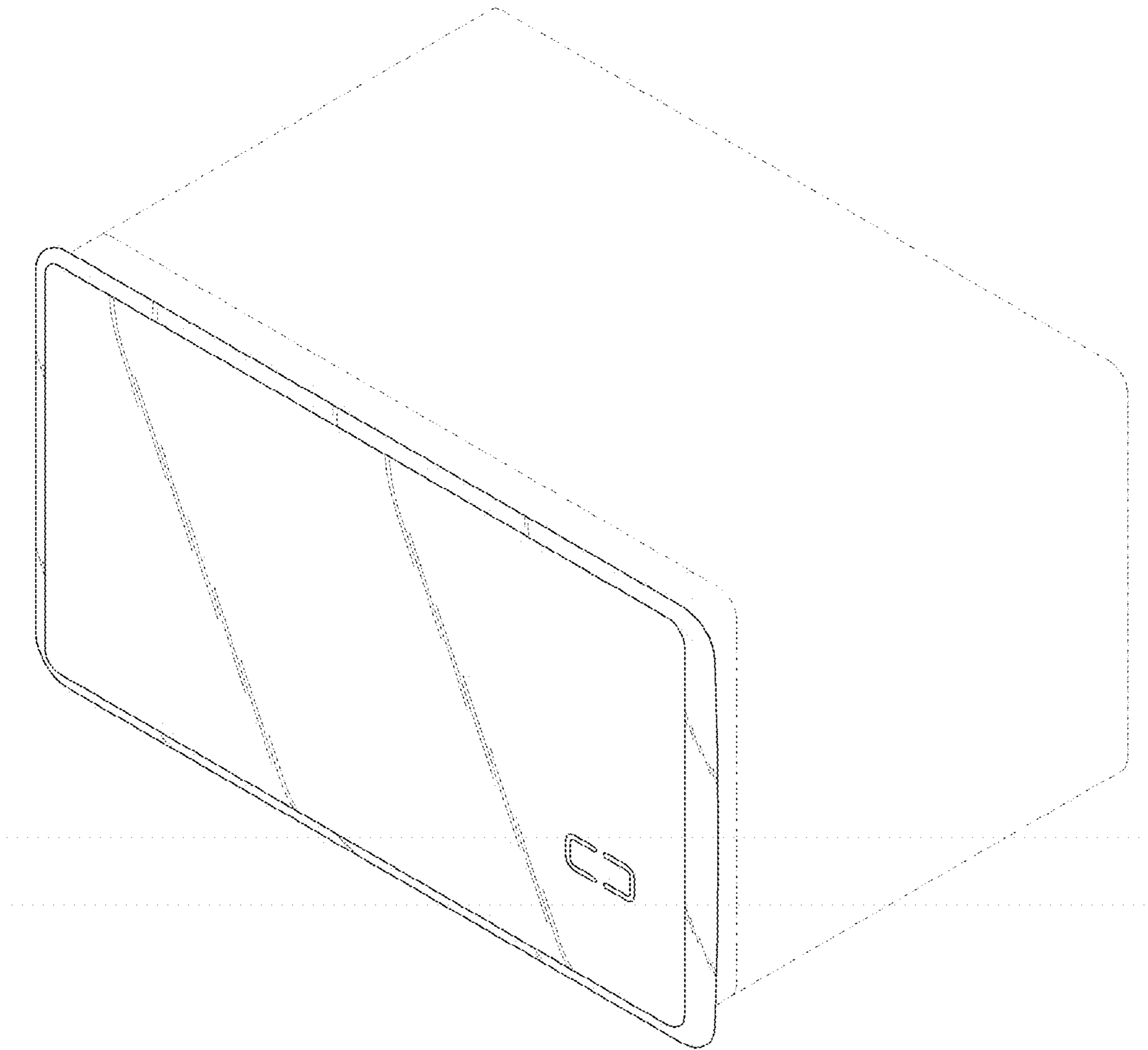


FIG. 2

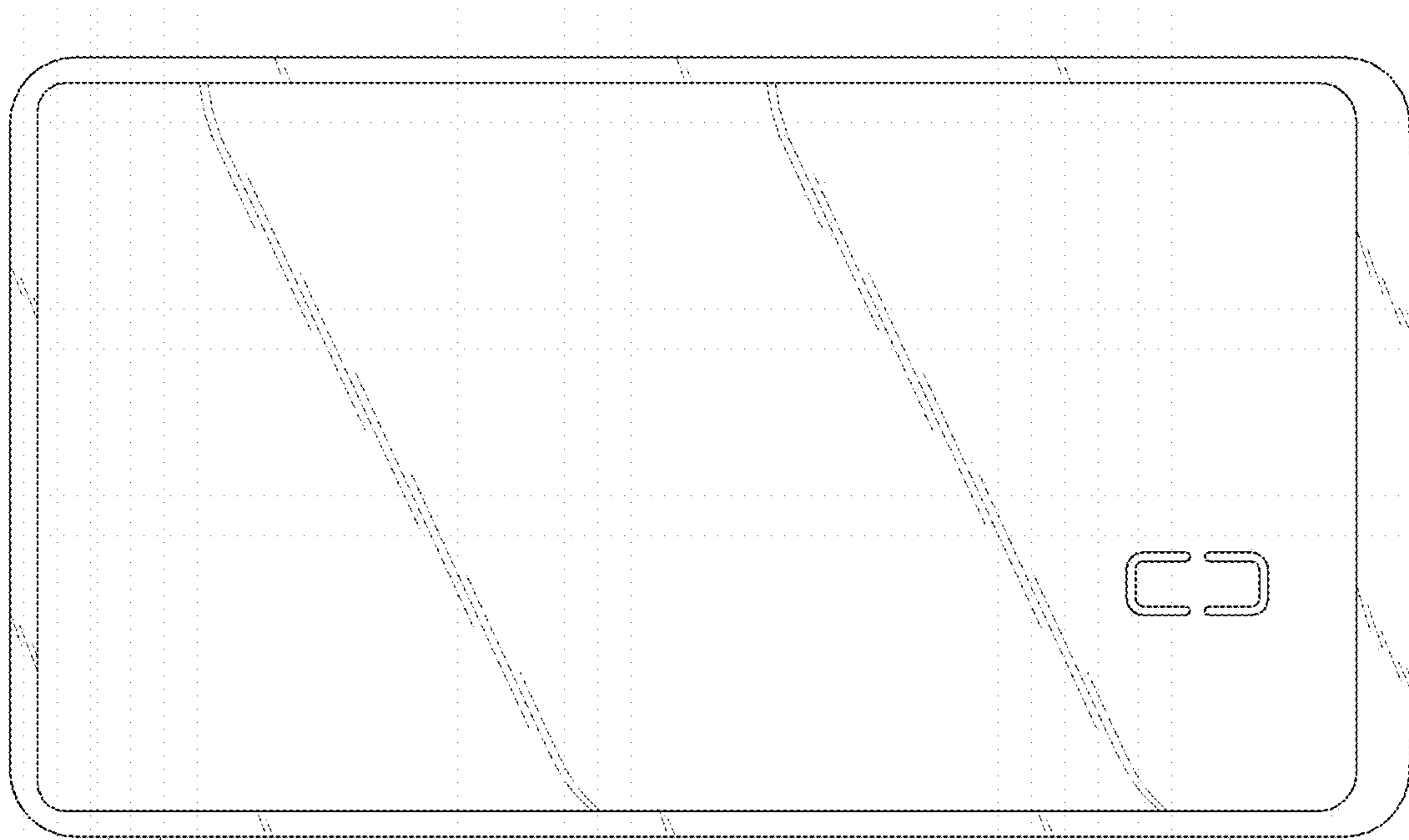


FIG. 3

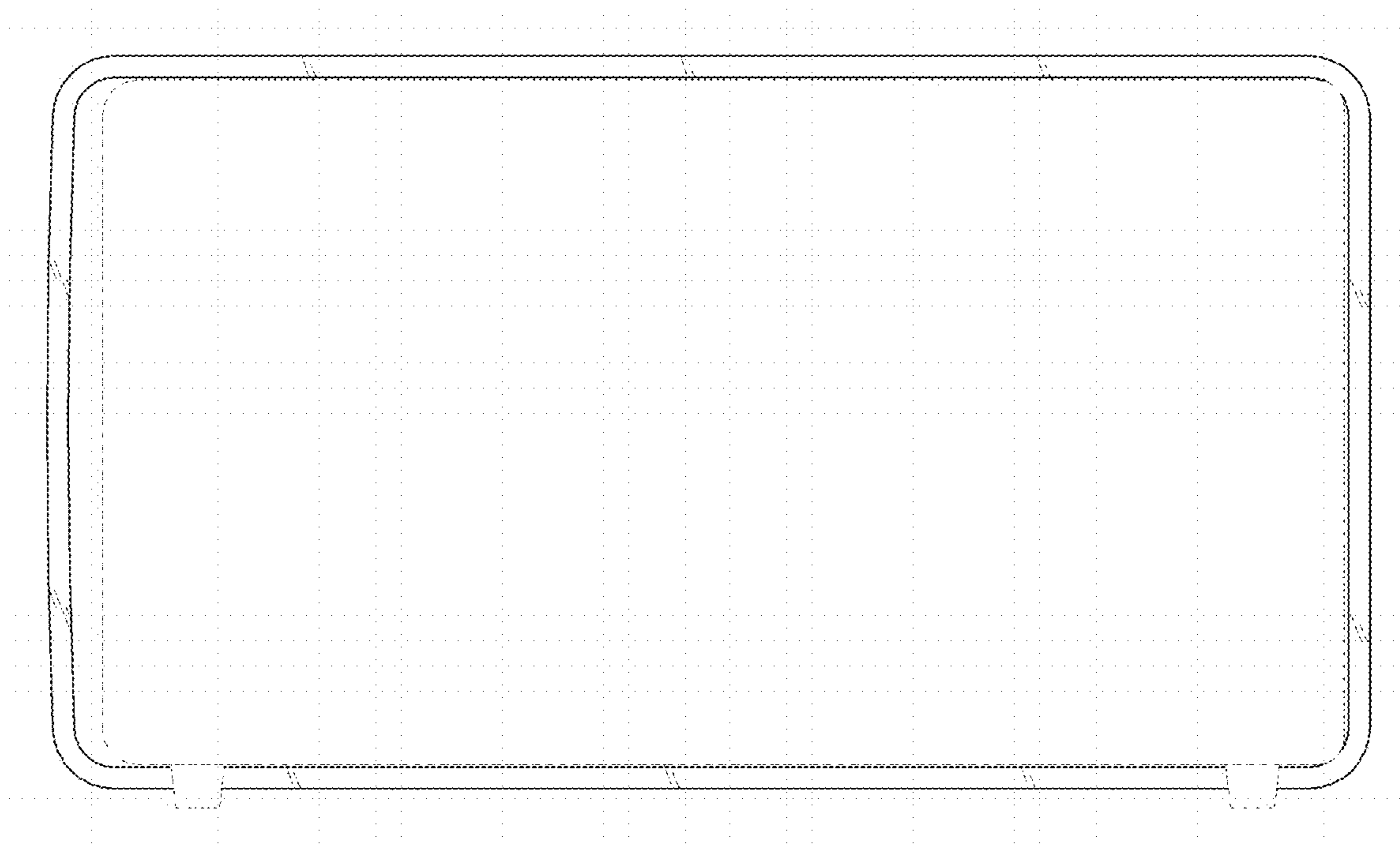


FIG. 4

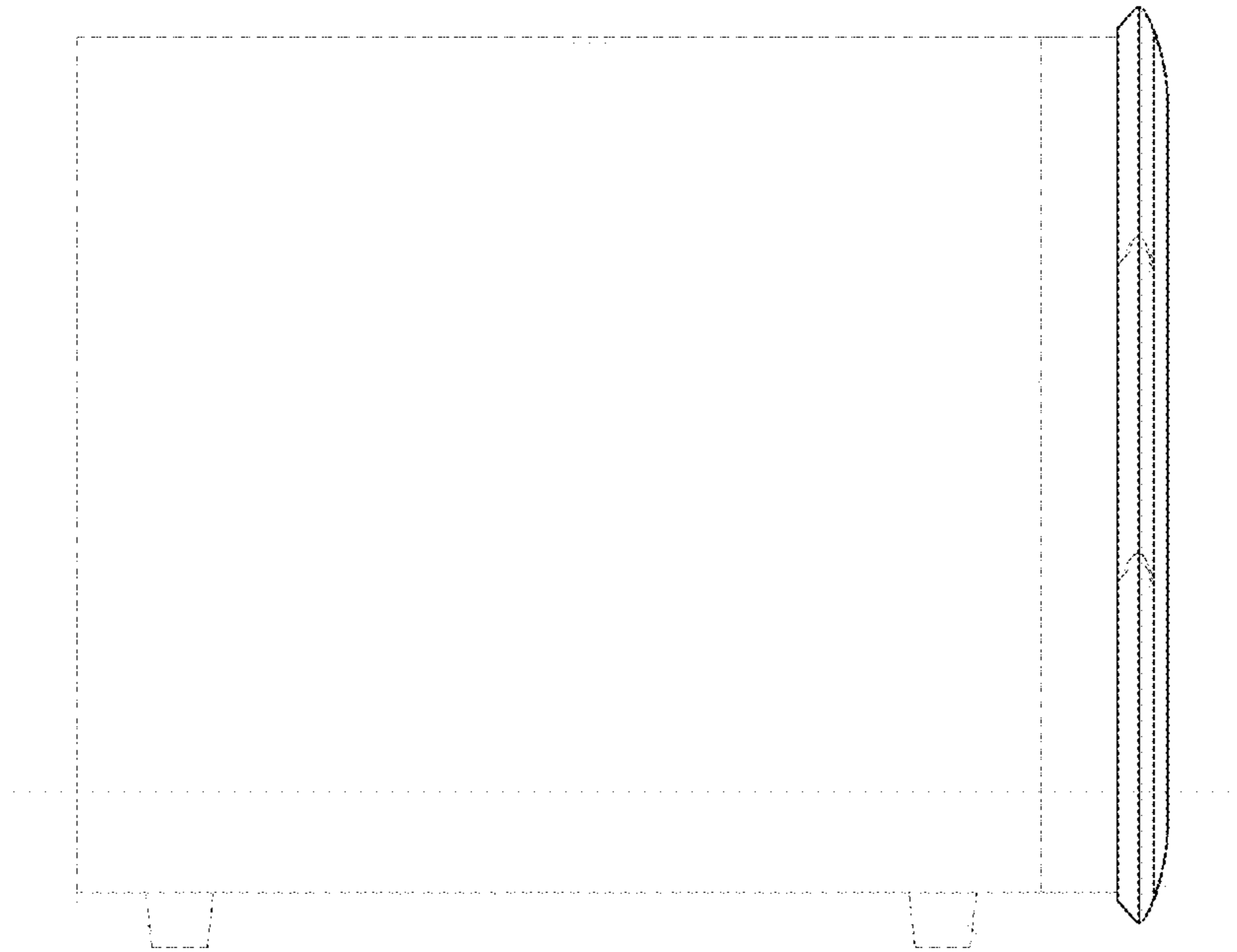


FIG. 5



FIG. 6

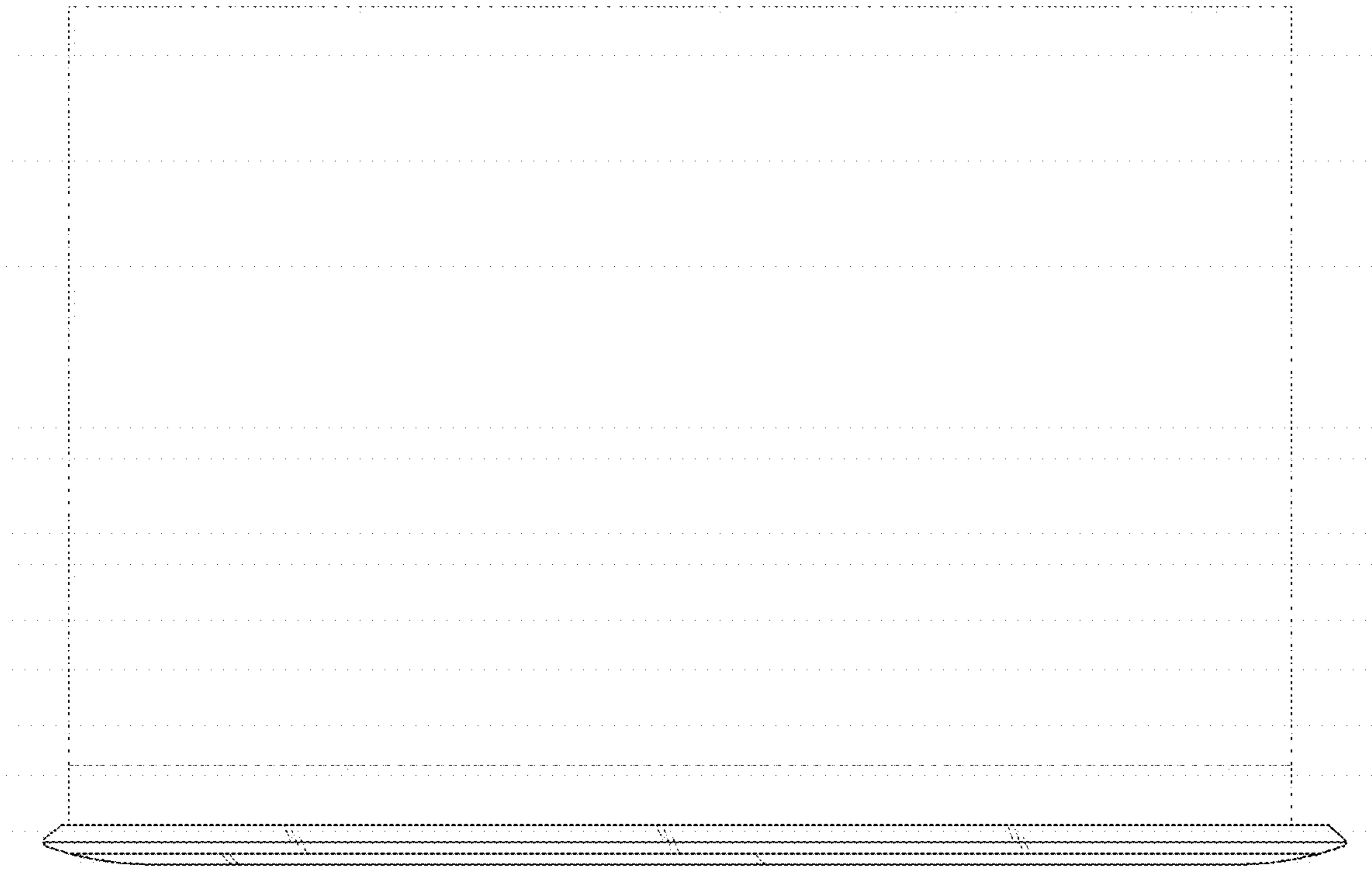


FIG. 7

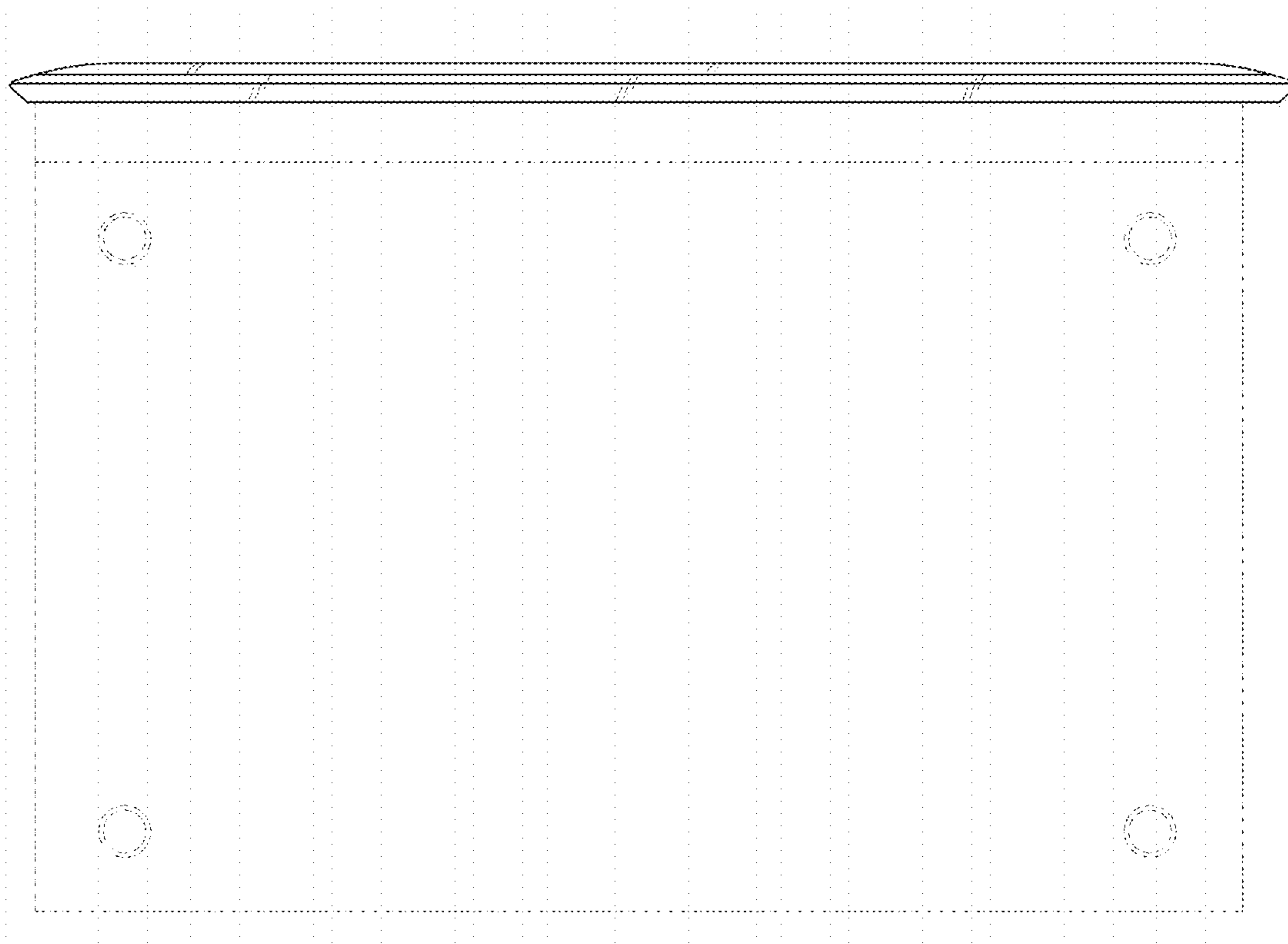


FIG. 8

