



US00D718083S

(12) **United States Design Patent**
Chung

(10) **Patent No.:** **US D718,083 S**

(45) **Date of Patent:** **** Nov. 25, 2014**

(54) **BARBECUE GRILL**

(71) Applicant: **Kiosky Chung**, Taichung (TW)

(72) Inventor: **Kiosky Chung**, Taichung (TW)

(**) Term: **14 Years**

(21) Appl. No.: **29/461,808**

(22) Filed: **Jul. 27, 2013**

(51) **LOC (10) Cl.** **07-02**

(52) **U.S. Cl.**
USPC **D7/337**

(58) **Field of Classification Search**

CPC ... A47J 37/07; A47J 37/0704; A47J 37/0709;
A47J 37/0713; A47J 37/0718; A47J 37/0727;
A47J 37/0731; A47J 37/0763; A47J 37/0772;
A47J 36/26; F24B 1/182; F24B 1/202; F24B
3/00; F24B 13/00; F24C 3/085; F24C 3/14;
F24C 5/00; F24C 5/20; F24C 15/08; F24C
15/10; F24C 15/18

USPC D7/332, 334-337, 402-405
See application file for complete search history.

(56) **References Cited**

U.S. PATENT DOCUMENTS

D284,929 S * 8/1986 Schlosser et al. D7/332
4,836,179 A * 6/1989 Schlosser et al. 126/25 R

D427,840 S * 7/2000 Pai D7/332
D459,629 S * 7/2002 Pai D7/332
D463,707 S * 10/2002 Bossler D7/332
D473,746 S * 4/2003 Yeh D7/337
D481,256 S * 10/2003 Bossler D7/337
D501,115 S * 1/2005 Zhang D7/332
D508,364 S * 8/2005 Nipke et al. D7/334
D511,640 S * 11/2005 Nipke et al. D7/337
D637,034 S * 5/2011 Bodum D7/337
D675,862 S * 2/2013 Bodum D7/337
D677,107 S * 3/2013 Chung D7/337
D677,512 S * 3/2013 Bodum D7/337

* cited by examiner

Primary Examiner — Ruth McInroy

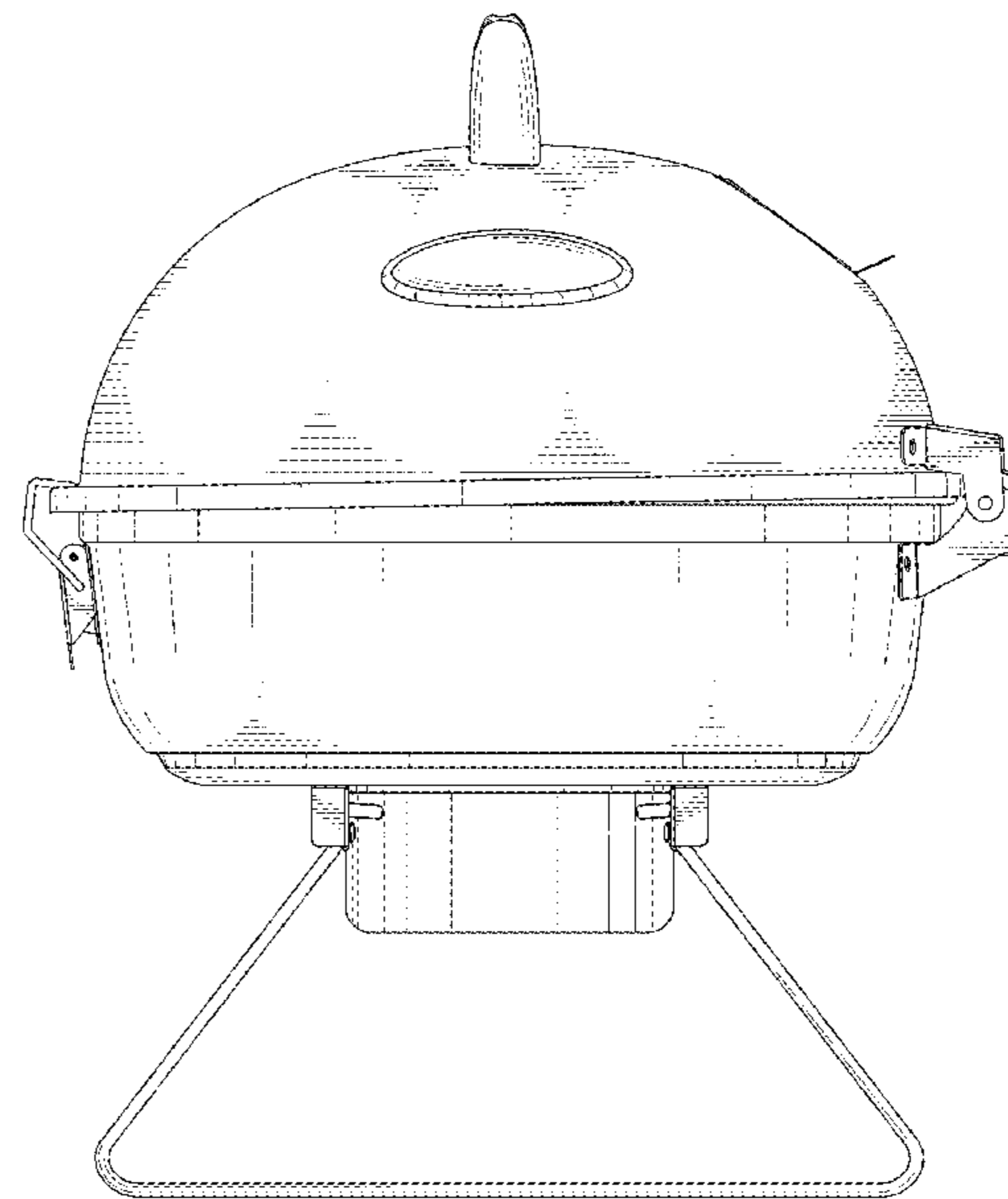
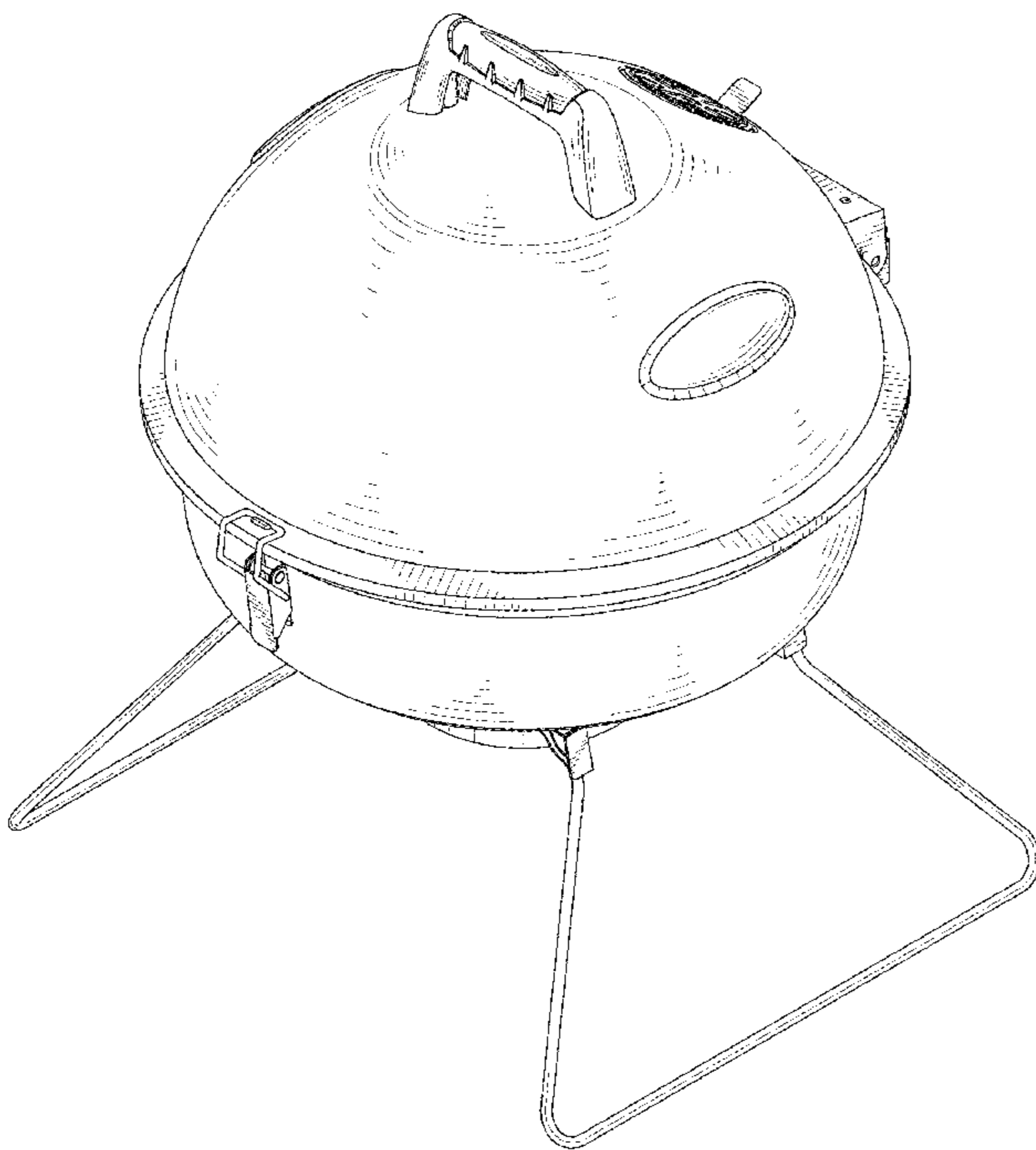
(57) **CLAIM**

I claim the ornamental design for a barbecue grill, as shown and described.

DESCRIPTION

FIG. 1 is a perspective view of a barbecue grill, showing my new design;
FIG. 2 is a front elevational view thereof;
FIG. 3 is a rear elevational view thereof;
FIG. 4 is a left side elevational view thereof;
FIG. 5 is a right side elevational view thereof;
FIG. 6 is a top plan view thereof; and,
FIG. 7 is a bottom plan view thereof.

1 Claim, 7 Drawing Sheets



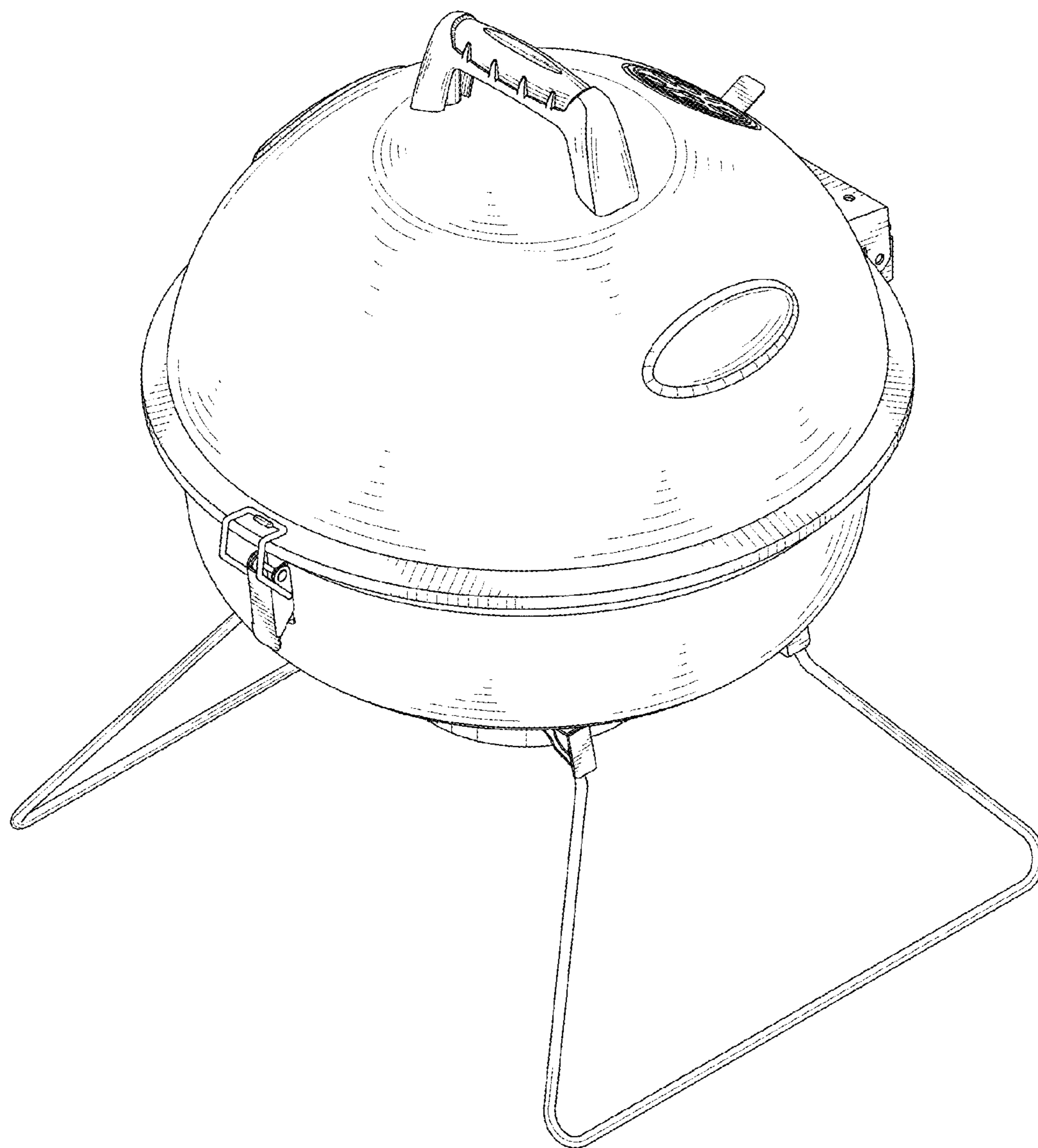


FIG. 1

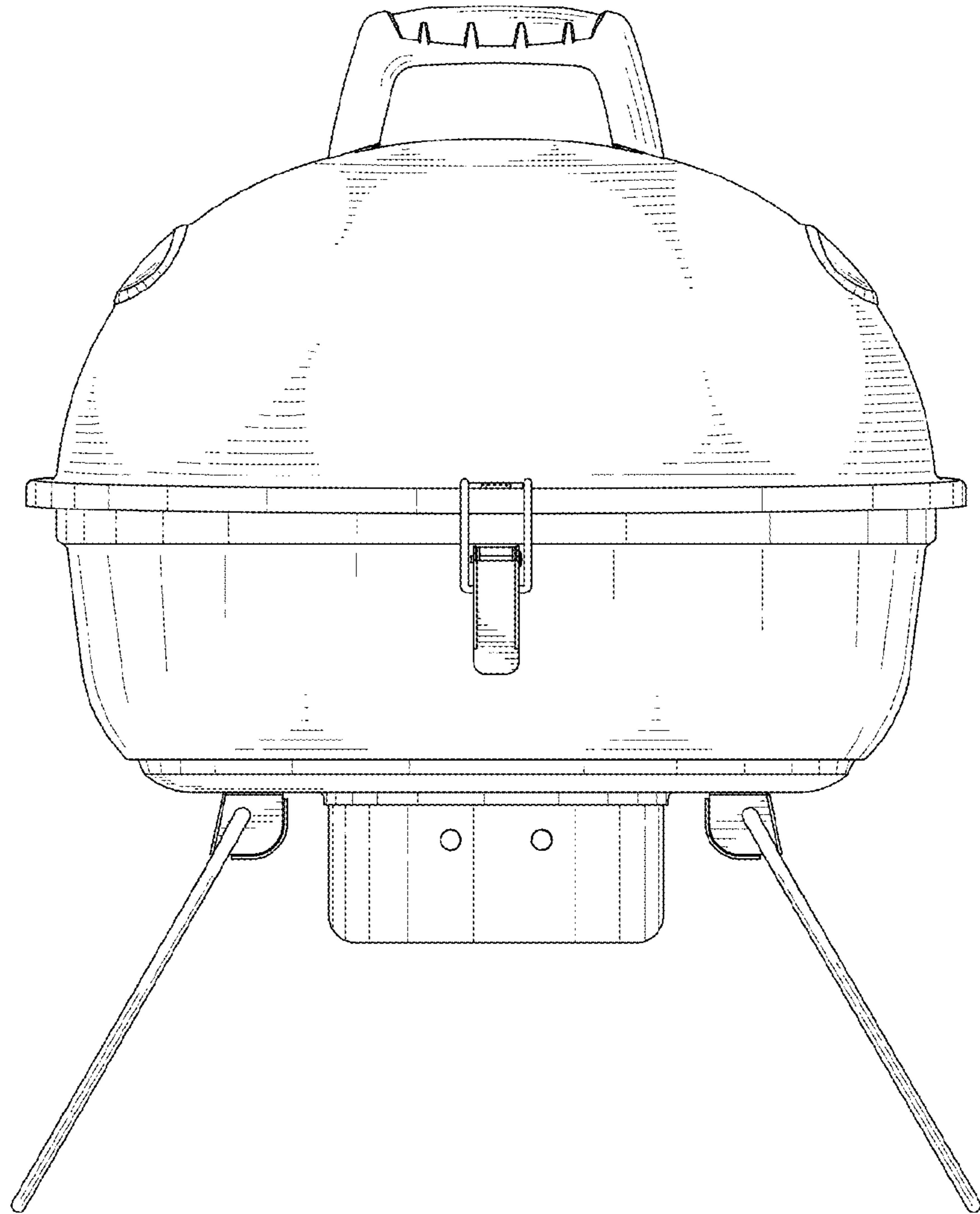


FIG. 2

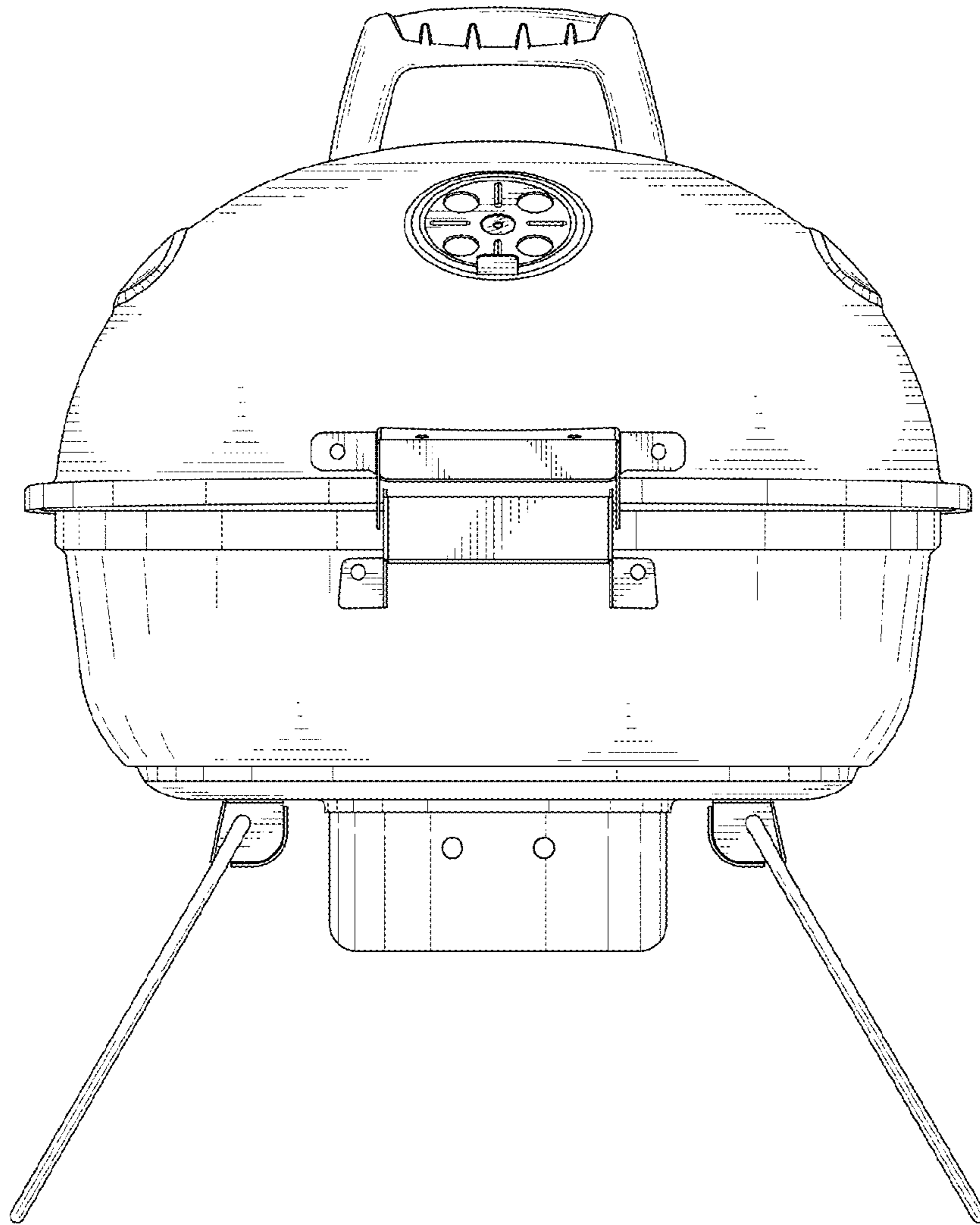


FIG. 3

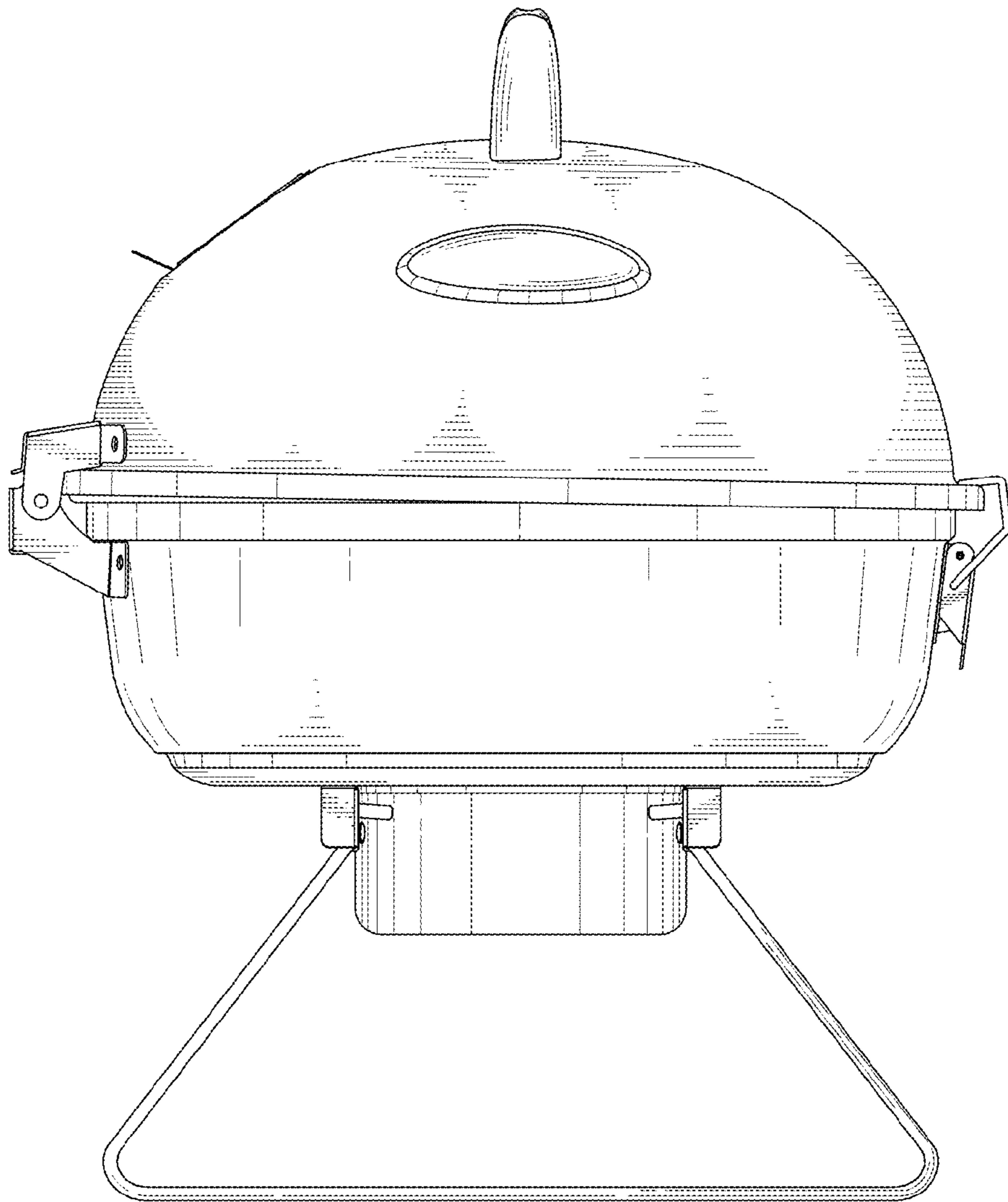


FIG. 4

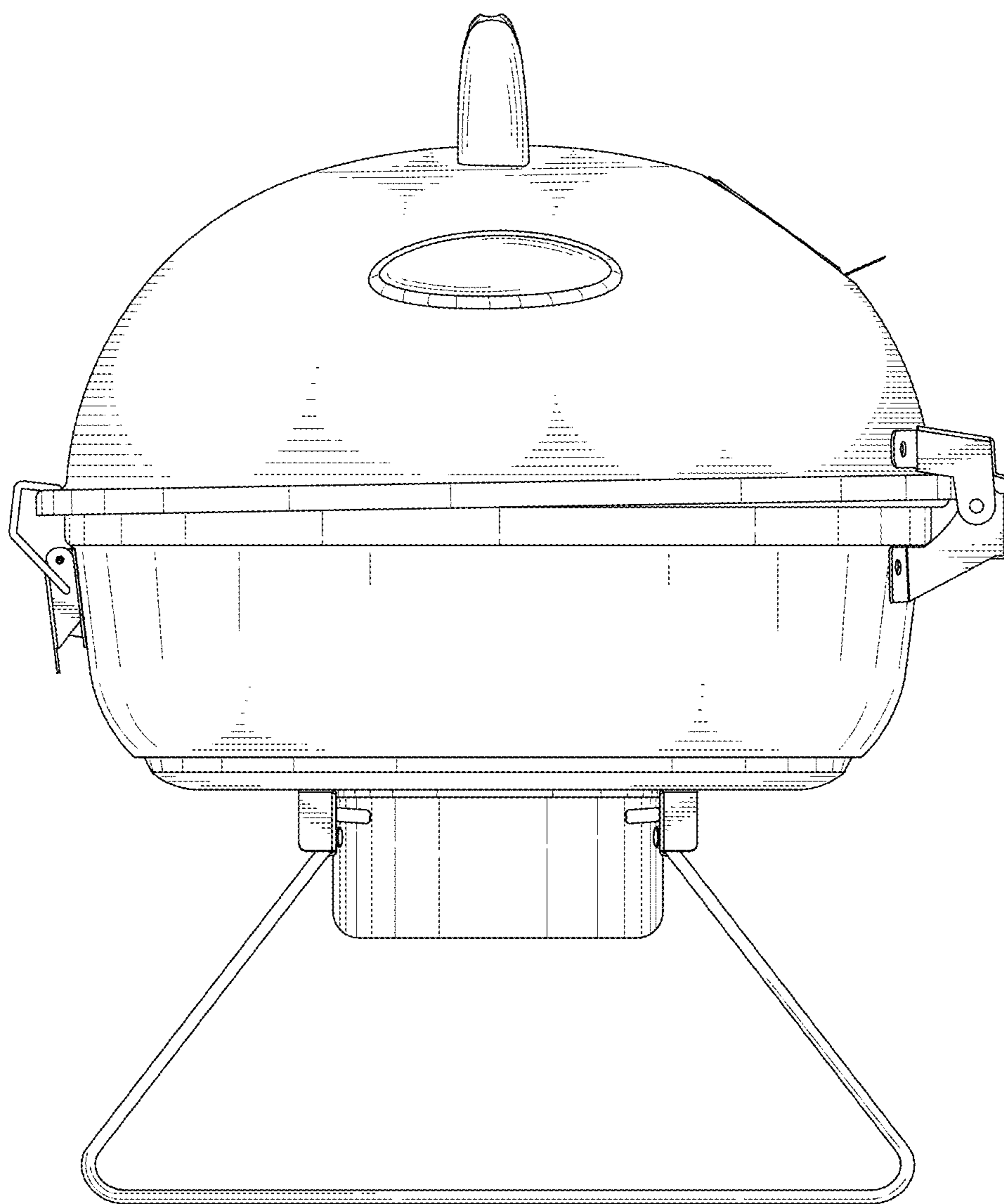


FIG. 5

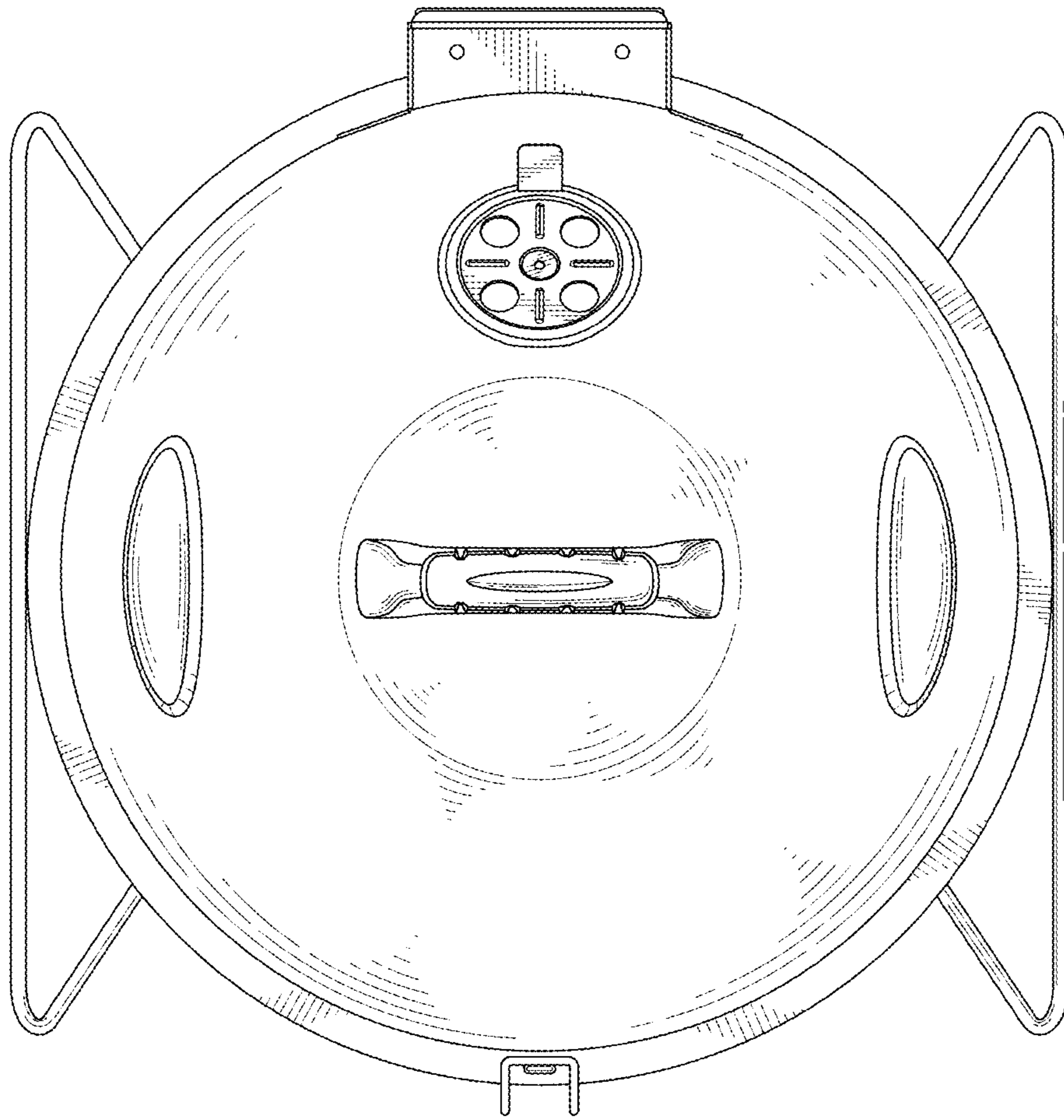


FIG. 6

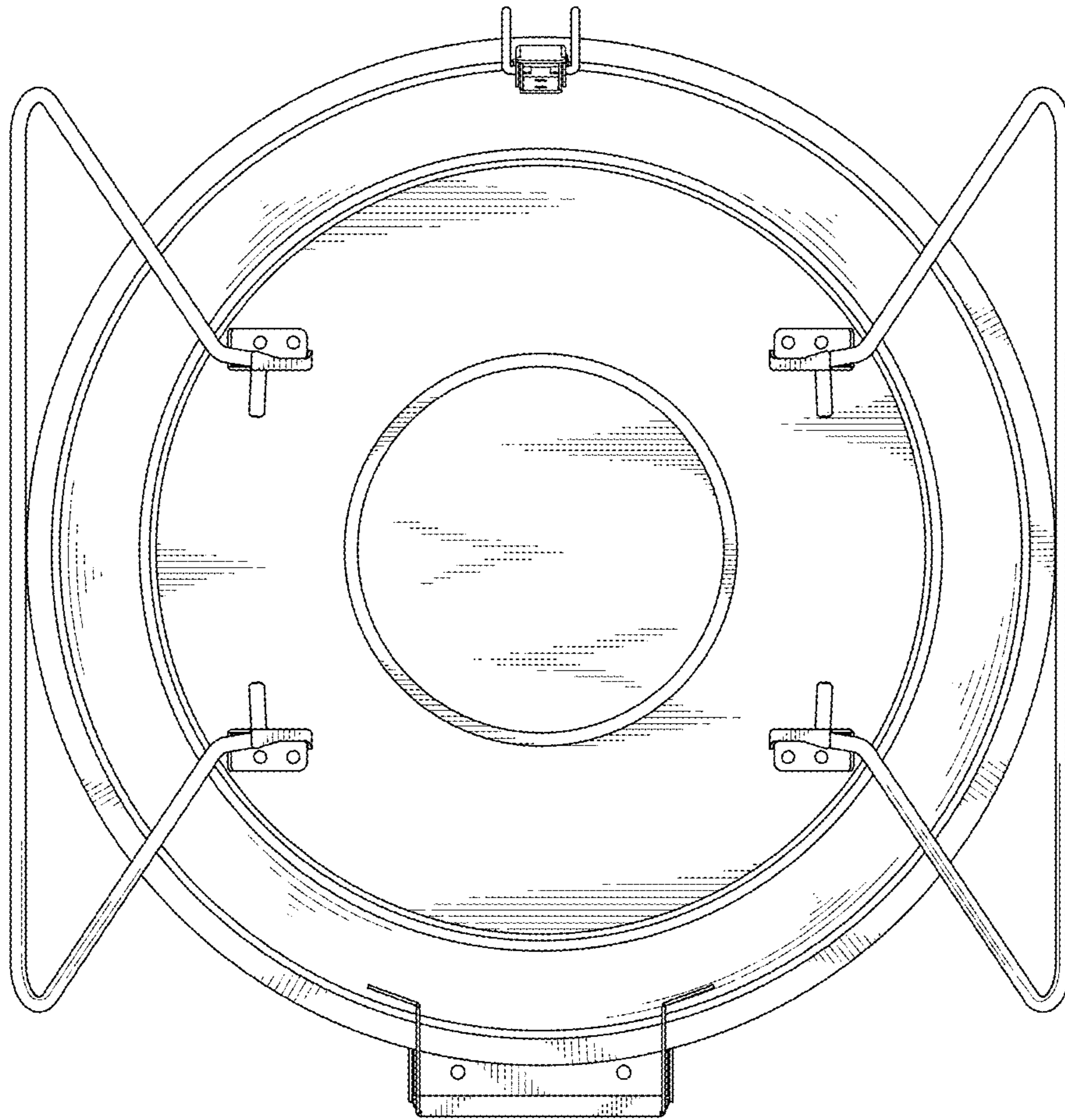


FIG. 7