



US00D718082S

(12) **United States Design Patent**
Chung

(10) **Patent No.:** **US D718,082 S**

(45) **Date of Patent:** **** Nov. 25, 2014**

(54) **BARBECUE GRILL**

(71) Applicant: **Kiosky Chung**, Taichung (TW)

(72) Inventor: **Kiosky Chung**, Taichung (TW)

(**) Term: **14 Years**

(21) Appl. No.: **29/461,811**

(22) Filed: **Jul. 27, 2013**

(51) **LOC (10) Cl.** **07-02**

(52) **U.S. Cl.**
USPC **D7/335**

(58) **Field of Classification Search**

CPC ... A47J 37/07; A47J 37/0704; A47J 37/0709;
A47J 37/0713; A47J 37/0718; A47J 37/0727;
A47J 37/0731; A47J 37/0763; A47J 37/0772;
A47J 36/26; F24B 1/182; F24B 1/202; F24B
3/00; F24B 13/00; F24C 3/085; F24C 3/14;
F24C 5/00; F24C 5/20; F24C 15/08; F24C
15/10; F24C 15/18

USPC D7/332, 334-337, 402-405
See application file for complete search history.

(56) **References Cited**

U.S. PATENT DOCUMENTS

D211,919 S * 8/1968 Harff D7/335
D242,593 S * 12/1976 Sterkel D7/332
5,158,067 A * 10/1992 Dutro et al. 126/39 R
D382,765 S * 8/1997 Kellermann D7/332
D438,750 S * 3/2001 Mashburn et al. D7/335

D468,150 S * 1/2003 Schroeter et al. D7/335
D520,802 S * 5/2006 McLemore et al. D7/335
D520,804 S * 5/2006 Lu D7/335
D548,513 S * 8/2007 Huang D7/332
D548,514 S * 8/2007 Huang D7/335
D567,011 S * 4/2008 DeMars D7/335
7,900,624 B2 * 3/2011 DeMars et al. 126/25 R
8,118,019 B2 * 2/2012 DeMars et al. 126/25 B
D679,936 S * 4/2013 Chung D7/332
2011/0265663 A1 * 11/2011 Li 99/446

* cited by examiner

Primary Examiner — Ruth McInroy

(57) **CLAIM**

I claim the ornamental design for a barbecue grill, as shown and described.

DESCRIPTION

FIG. 1 is a perspective view of a barbecue grill, showing my new design;

FIG. 2 is a front elevational view thereof;

FIG. 3 is a rear elevational view thereof;

FIG. 4 is a left side elevational view thereof;

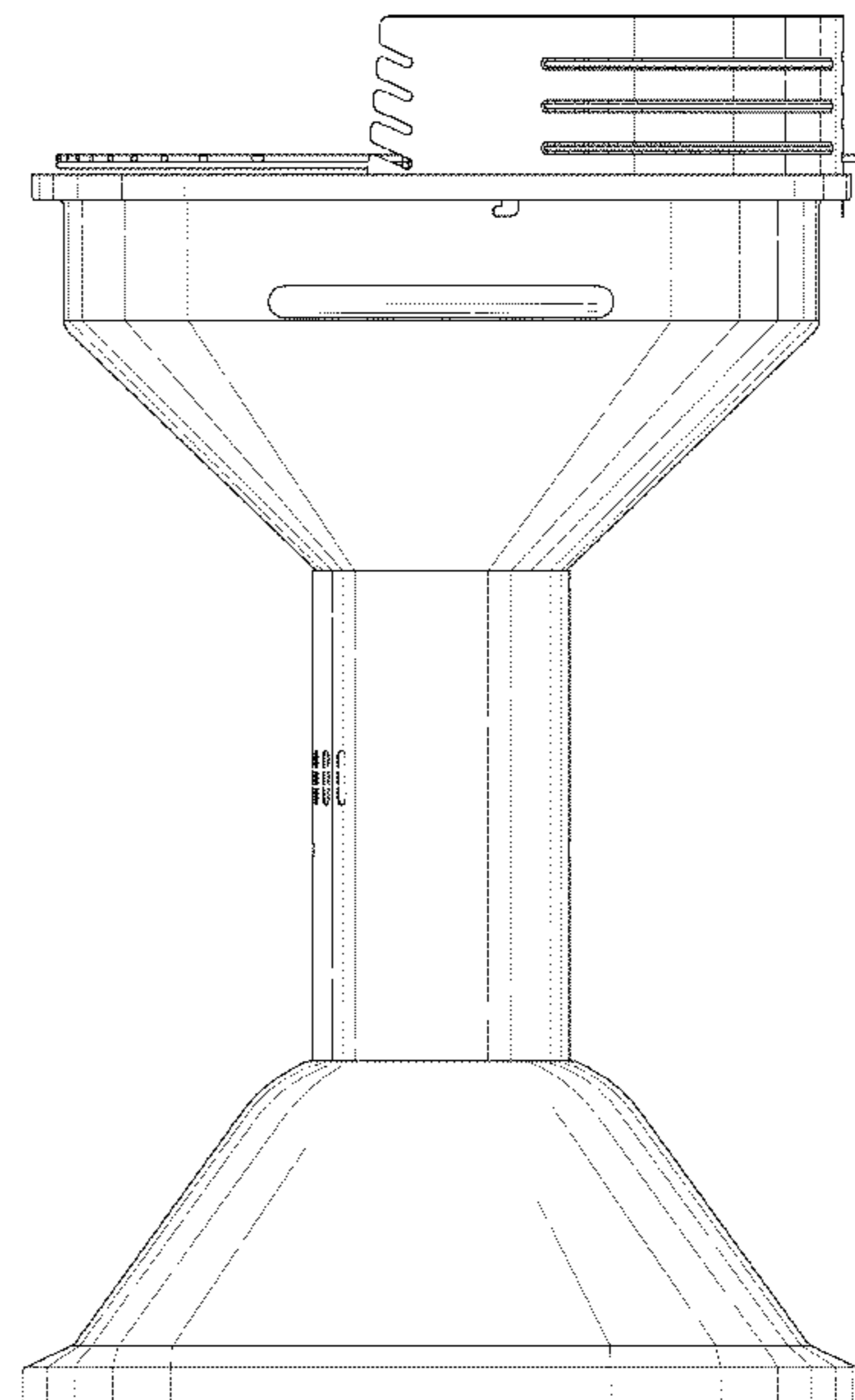
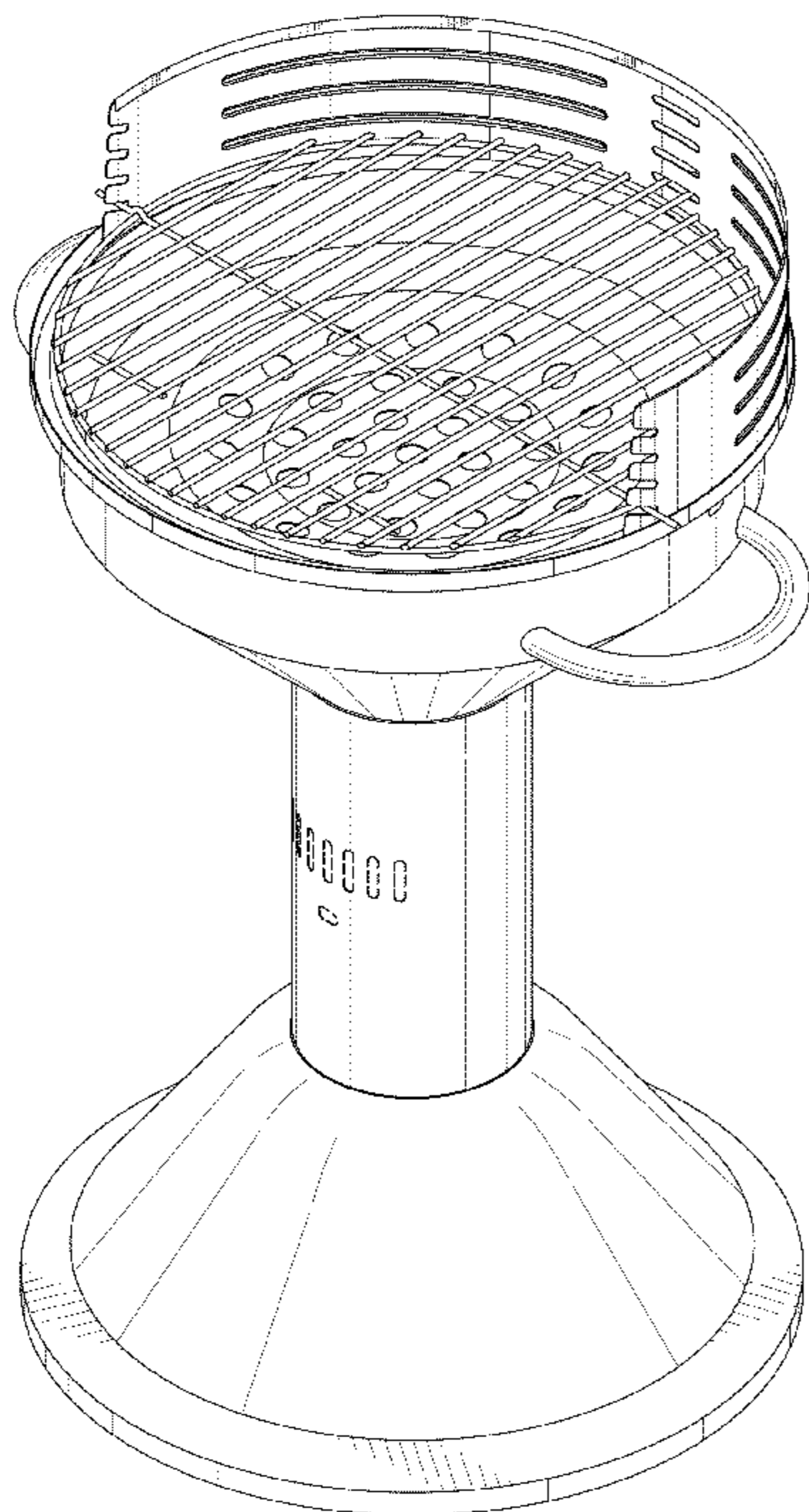
FIG. 5 is a right side elevational view thereof;

FIG. 6 is a top plan view thereof; and,

FIG. 7 is a bottom plan view thereof.

The broken lines shown in the drawings are for the purpose of illustrating unclaimed portions of the barbecue grill and form no part of the claimed design.

1 Claim, 7 Drawing Sheets



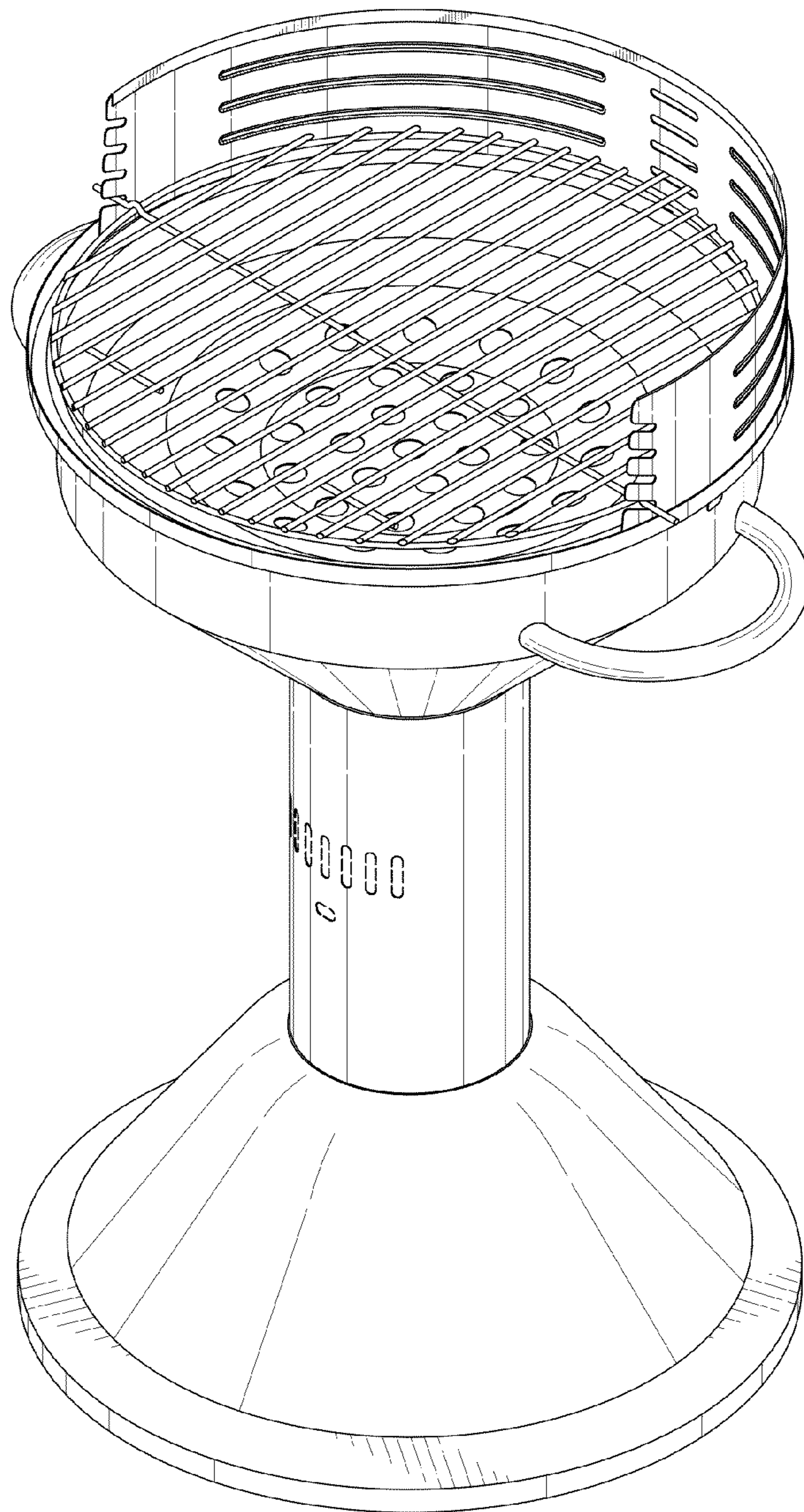


FIG. 1

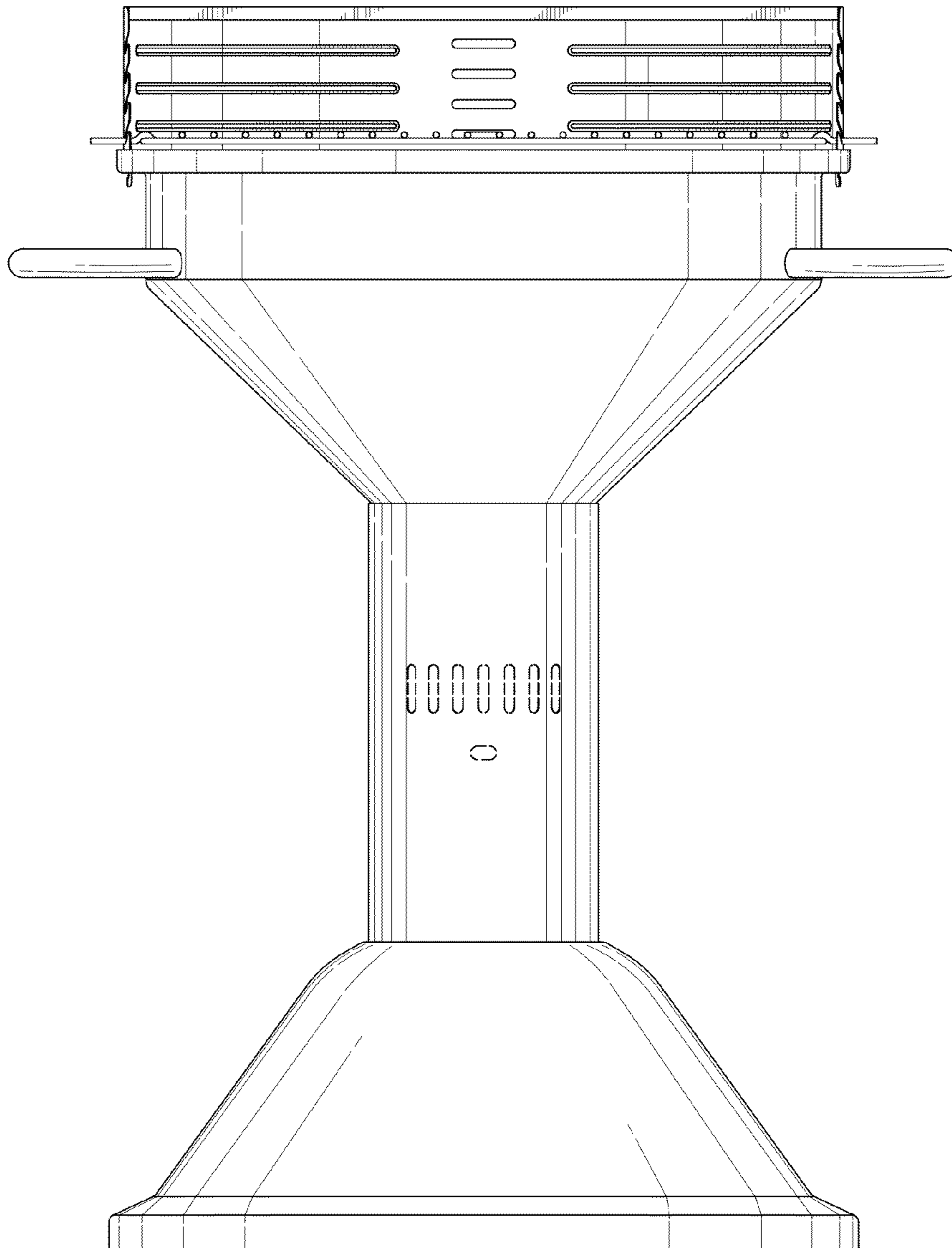


FIG. 2

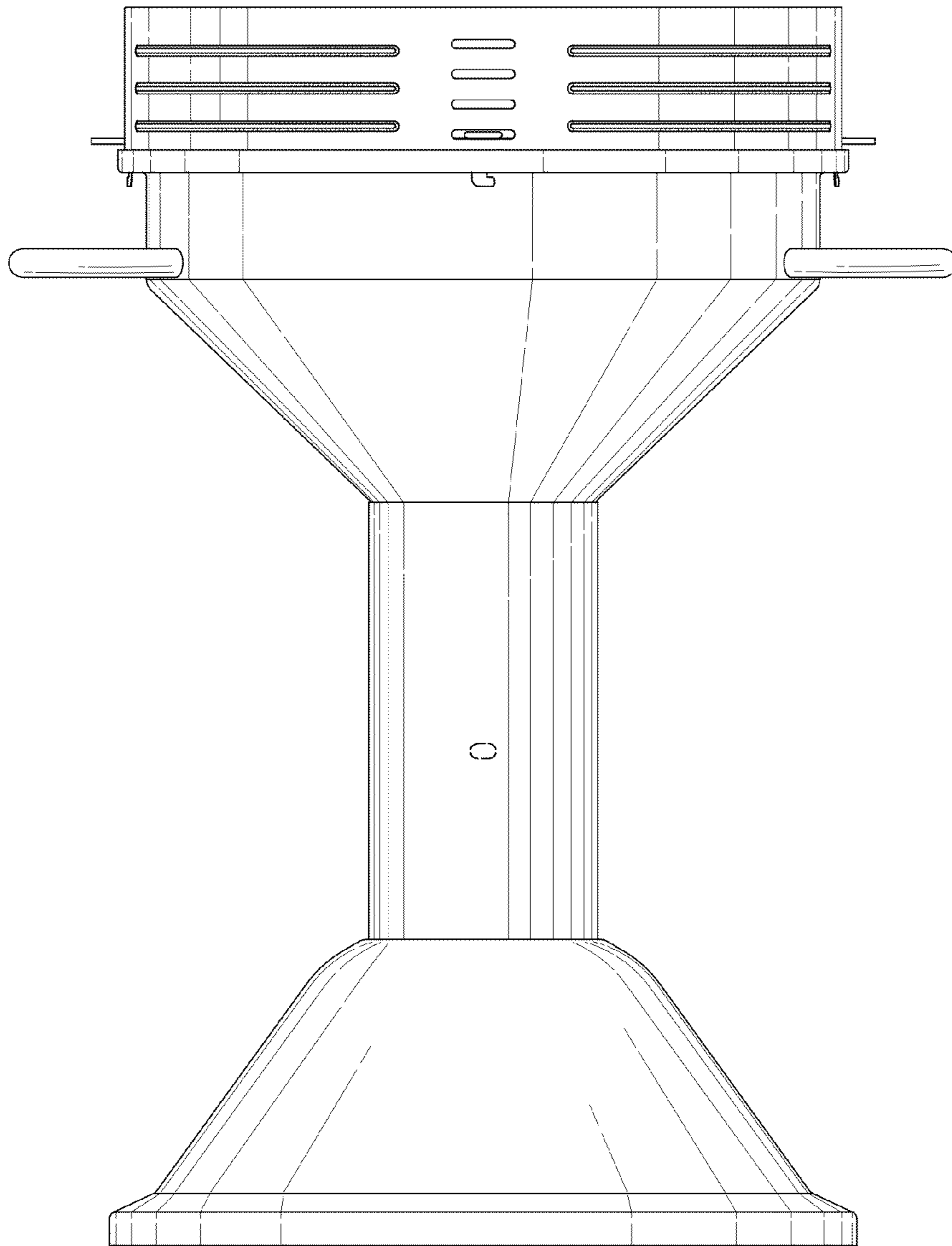


FIG. 3

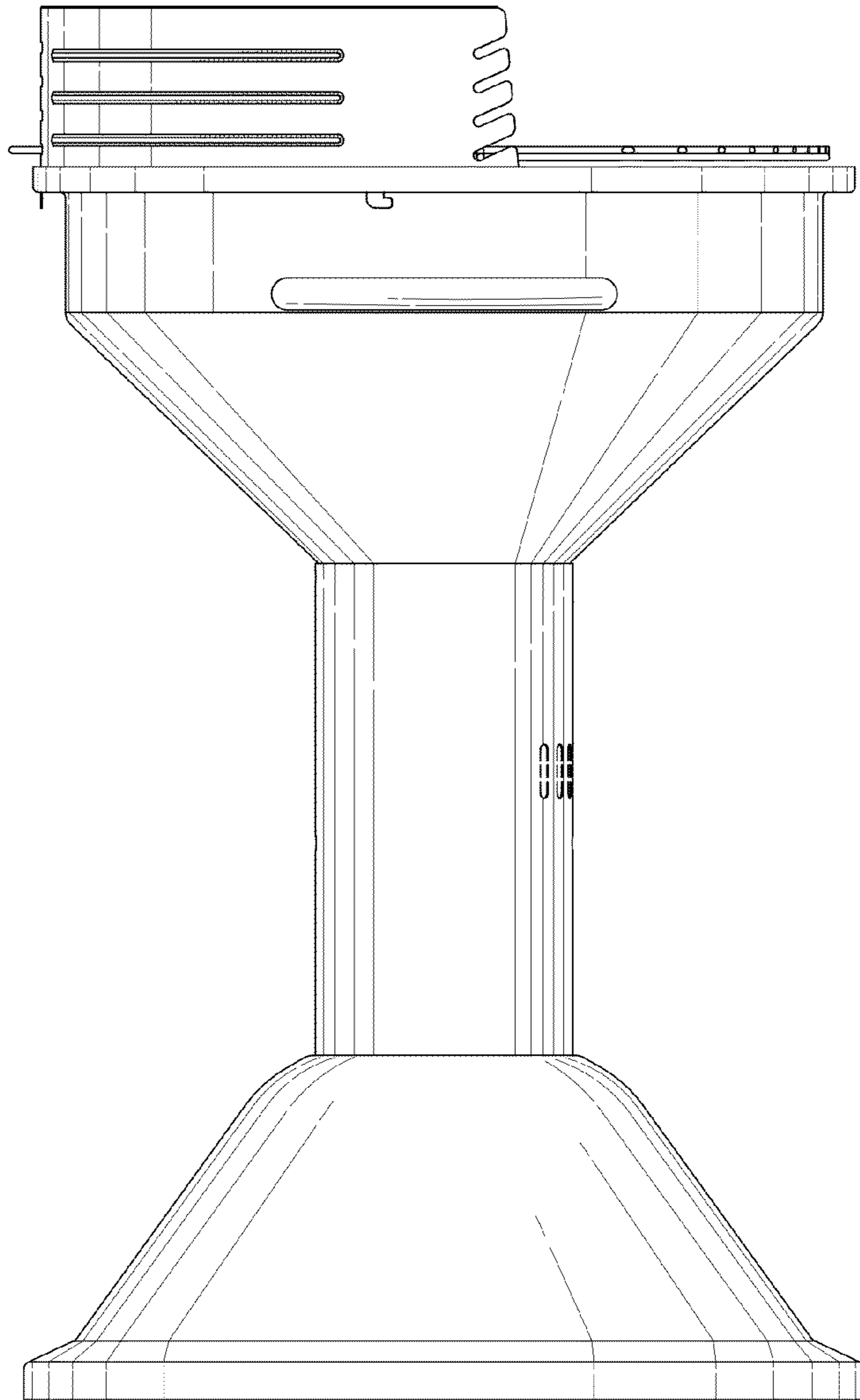


FIG. 4

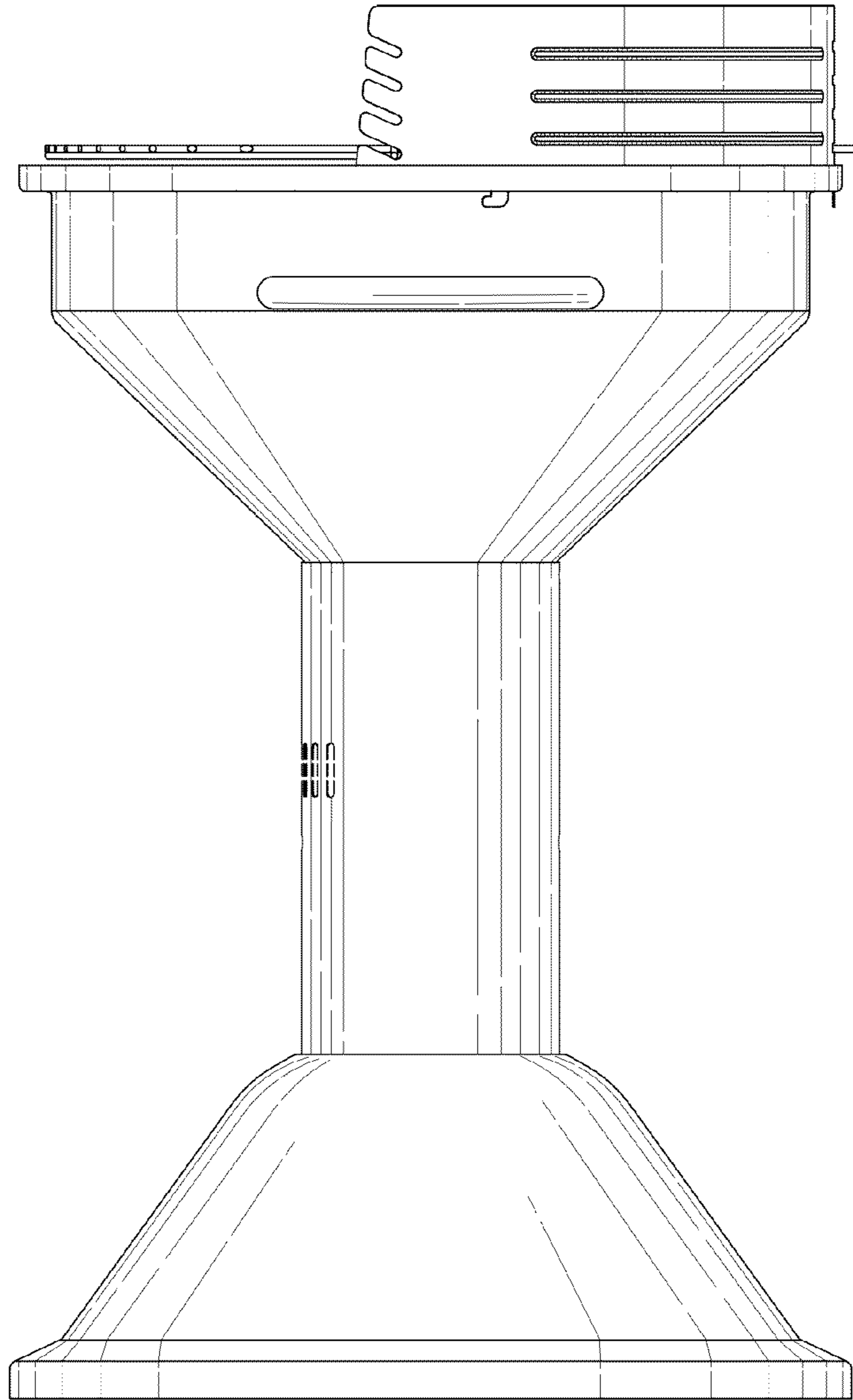


FIG. 5

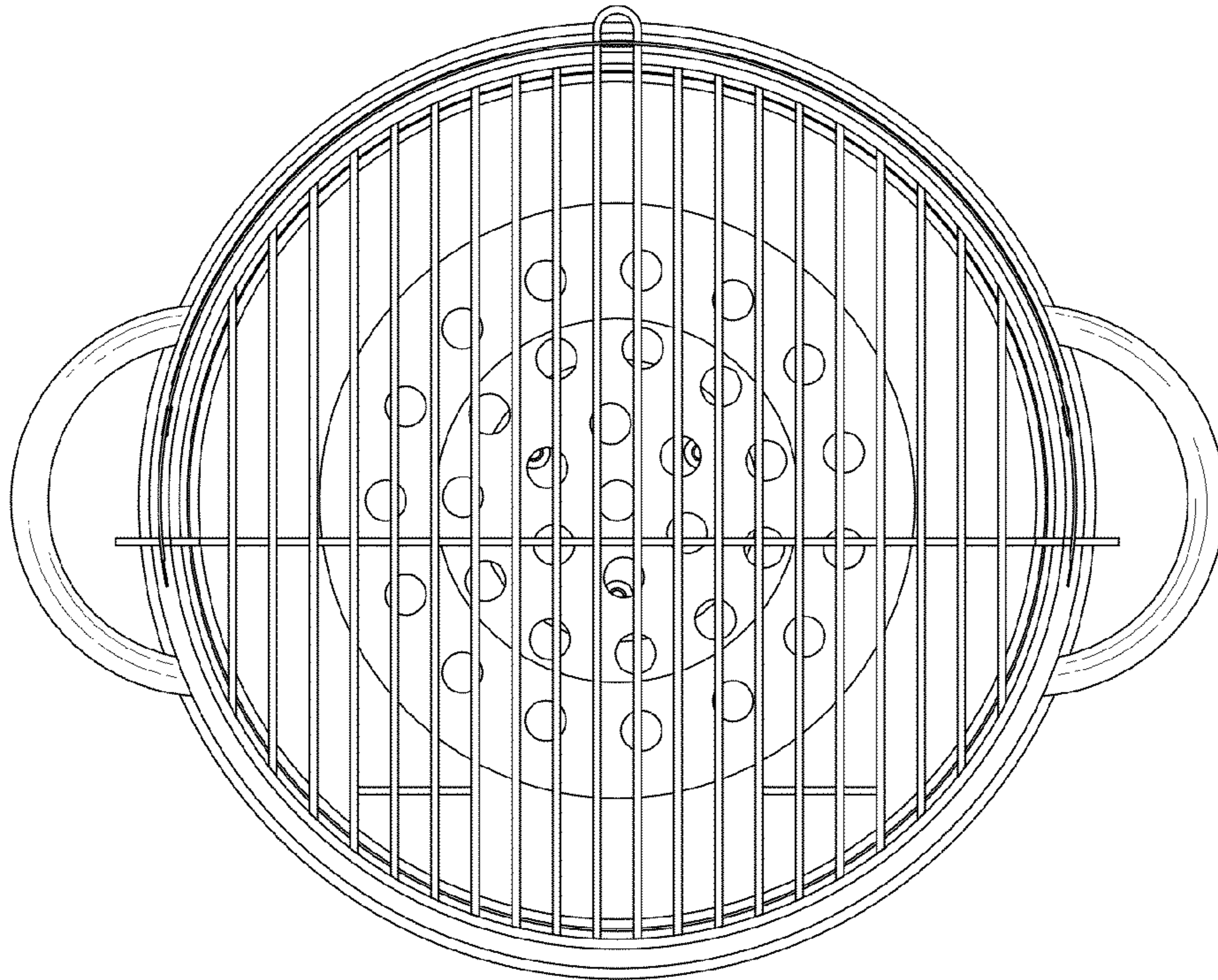


FIG. 6

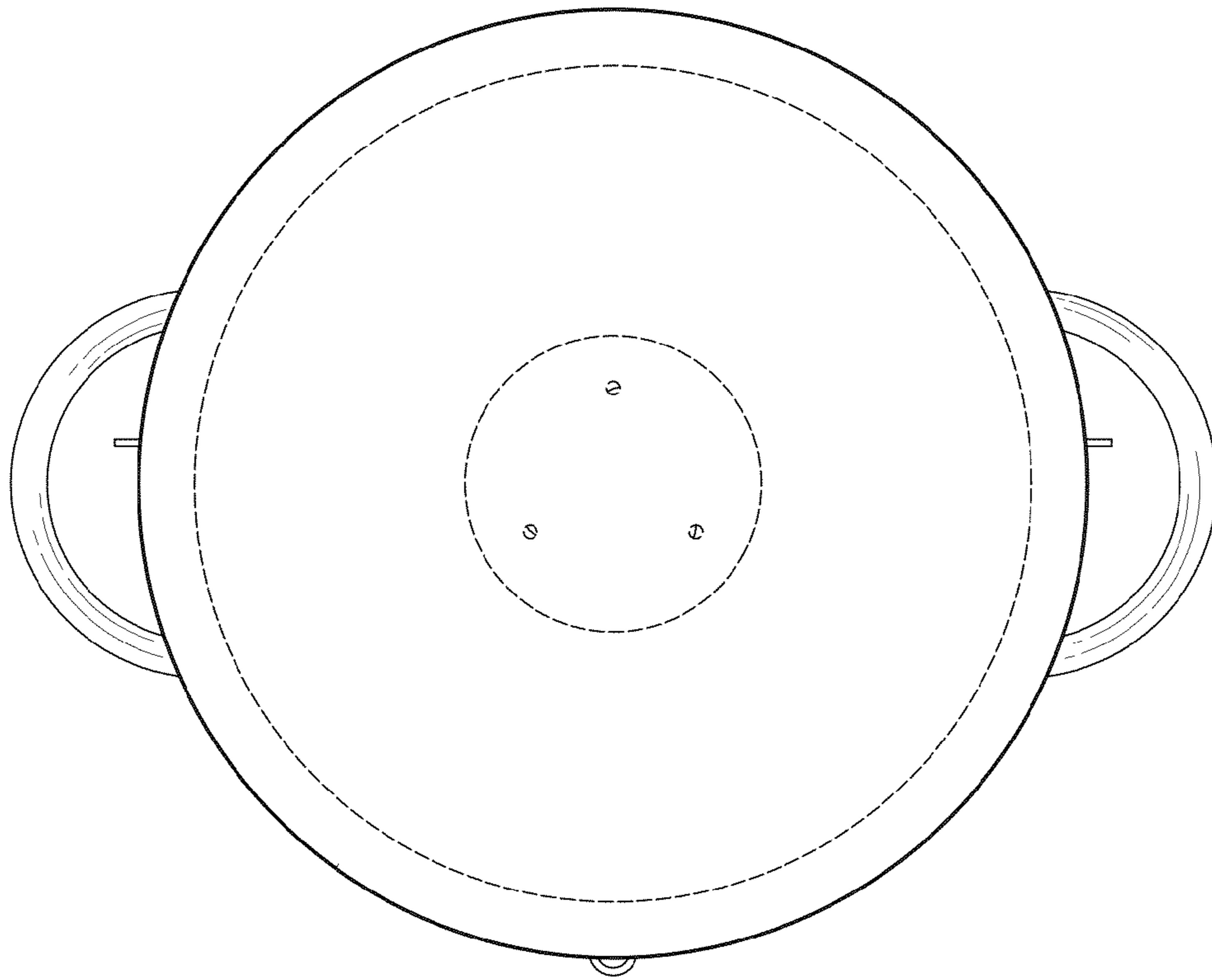


FIG. 7