

US00D718081S

(12) **United States Design Patent**
Rinderle

(10) **Patent No.:** **US D718,081 S**

(45) **Date of Patent:** **** Nov. 25, 2014**

(54) **GRILL**

(71) Applicant: **Gary E. Rinderle**, Clifton, CO (US)

(72) Inventor: **Gary E. Rinderle**, Clifton, CO (US)

(**) Term: **14 Years**

(21) Appl. No.: **29/490,764**

(22) Filed: **May 13, 2014**

(51) **LOC (10) Cl.** **07-02**

(52) **U.S. Cl.**
USPC **D7/332**

(58) **Field of Classification Search**
USPC D7/332, 335-337, 402-403, 405;
126/25 R, 29-30, 9 R, 9 B, 38, 40, 50,
126/41 R, 43-44; 99/450

See application file for complete search history.

(56) **References Cited**

U.S. PATENT DOCUMENTS

D158,844 S *	6/1950	Ellis	D7/336
D191,186 S *	8/1961	Maki	D7/336
D256,084 S *	7/1980	Lepper	D7/332
D279,644 S *	7/1985	Schoonmaker	D7/336
4,532,912 A *	8/1985	Burnside, III	126/30
4,553,525 A *	11/1985	Ruble	126/30
D327,602 S *	7/1992	Walker	D7/335
D344,207 S *	2/1994	Bauman	D7/336

5,287,844 A *	2/1994	Fieber	126/30
D369,939 S *	5/1996	Gibbs	D7/335
D396,379 S *	7/1998	Stoetzl	D7/335
7,013,885 B2 *	3/2006	Czajkoski	126/30
D577,946 S *	10/2008	Carroll	D7/336
D592,443 S *	5/2009	Fraser	D7/335
D637,446 S *	5/2011	McMillian	D7/332
2010/0319674 A1 *	12/2010	Schneidewend	126/30
2011/0192390 A1 *	8/2011	Johnson	126/30

* cited by examiner

Primary Examiner — Ruth McInroy

(74) *Attorney, Agent, or Firm* — Luis Figarella

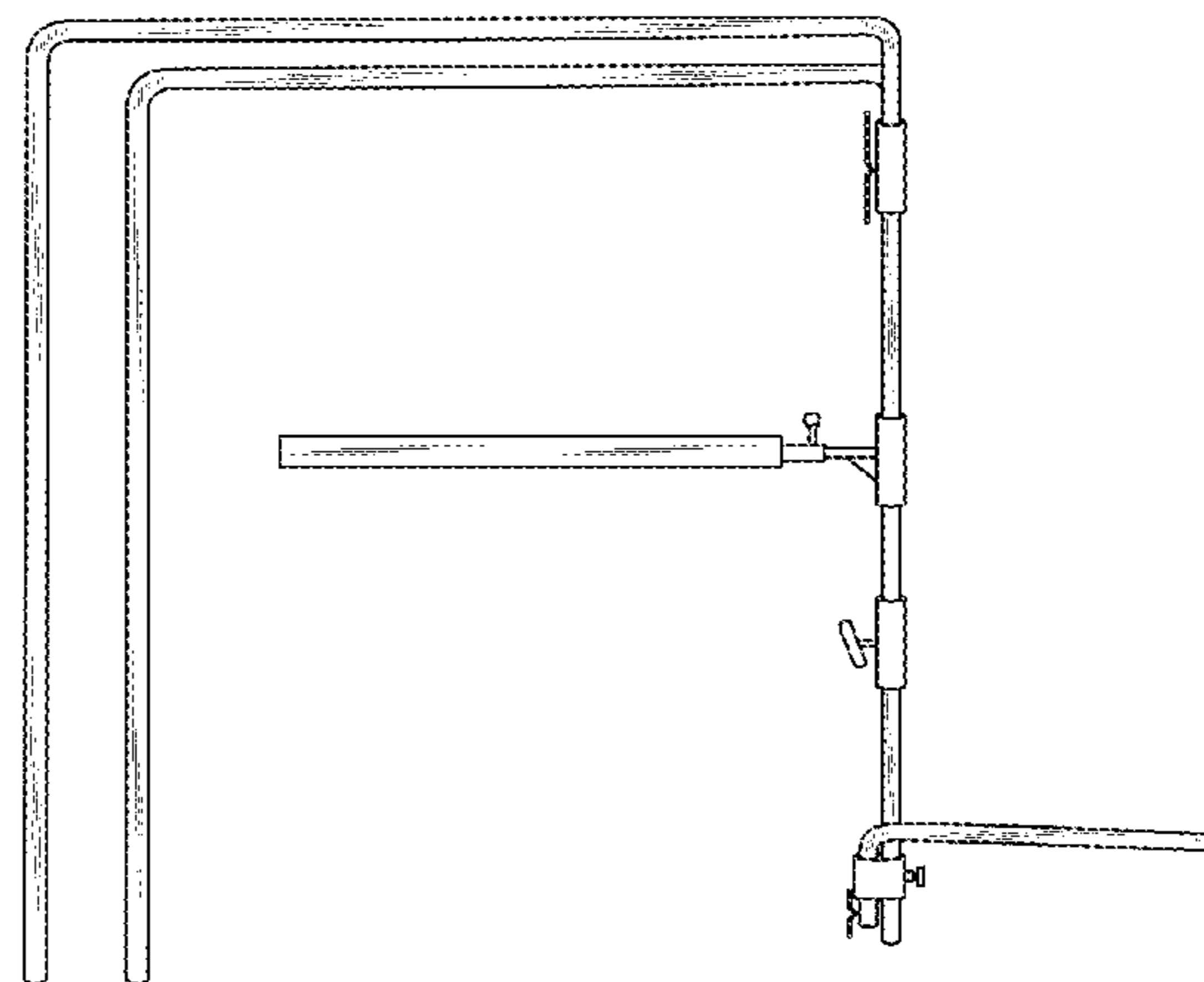
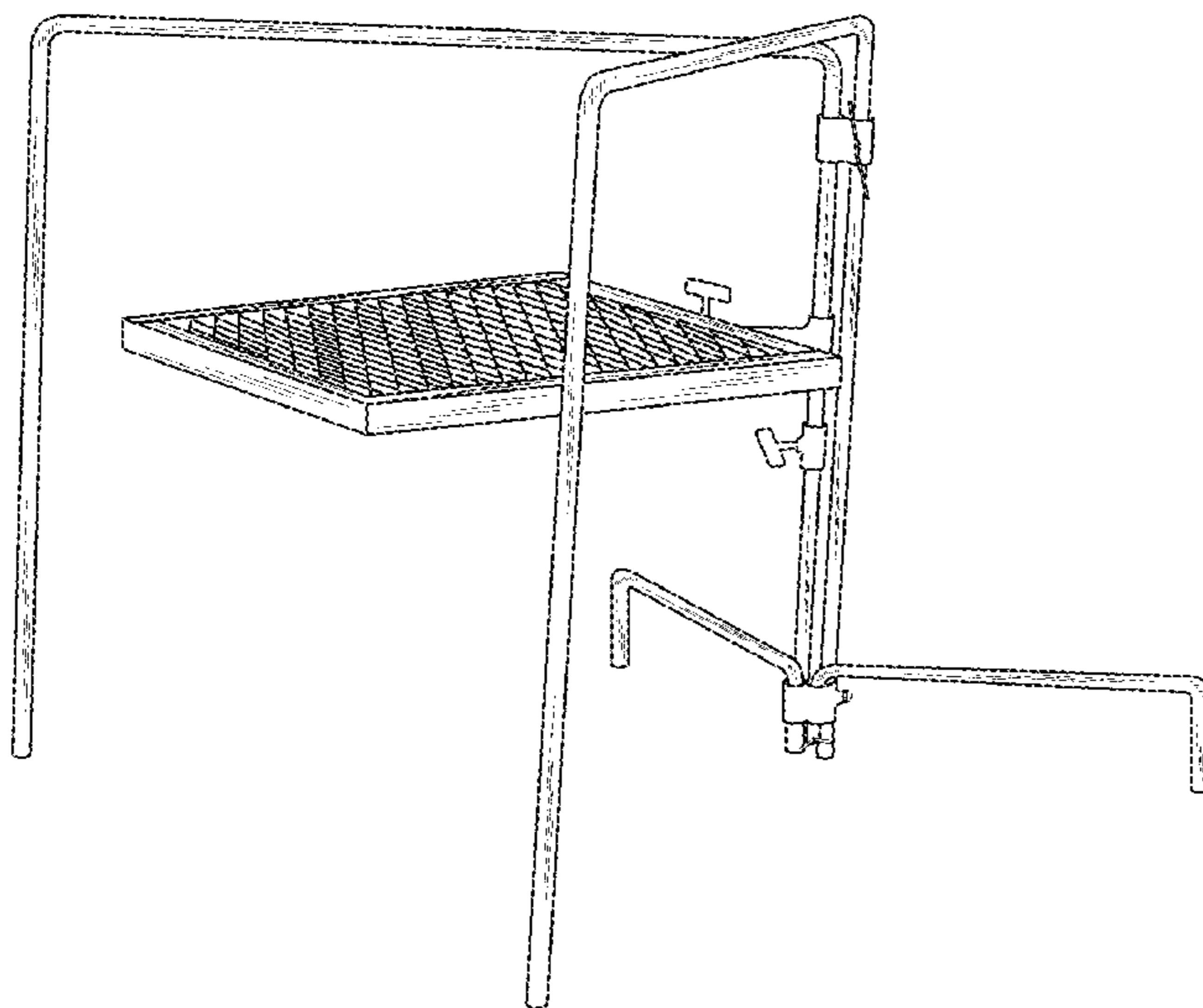
(57) **CLAIM**

I claim the ornamental design for a grill, as shown and described.

DESCRIPTION

FIG. 1 is a perspective view of a grill showing my new design;
FIG. 2 is a front view thereof;
FIG. 3 is a rear view thereof;
FIG. 4 is a top view thereof;
FIG. 5 is a bottom view thereof;
FIG. 6 is a right side view thereof; and,
FIG. 7 is a left side view thereof.

1 Claim, 4 Drawing Sheets



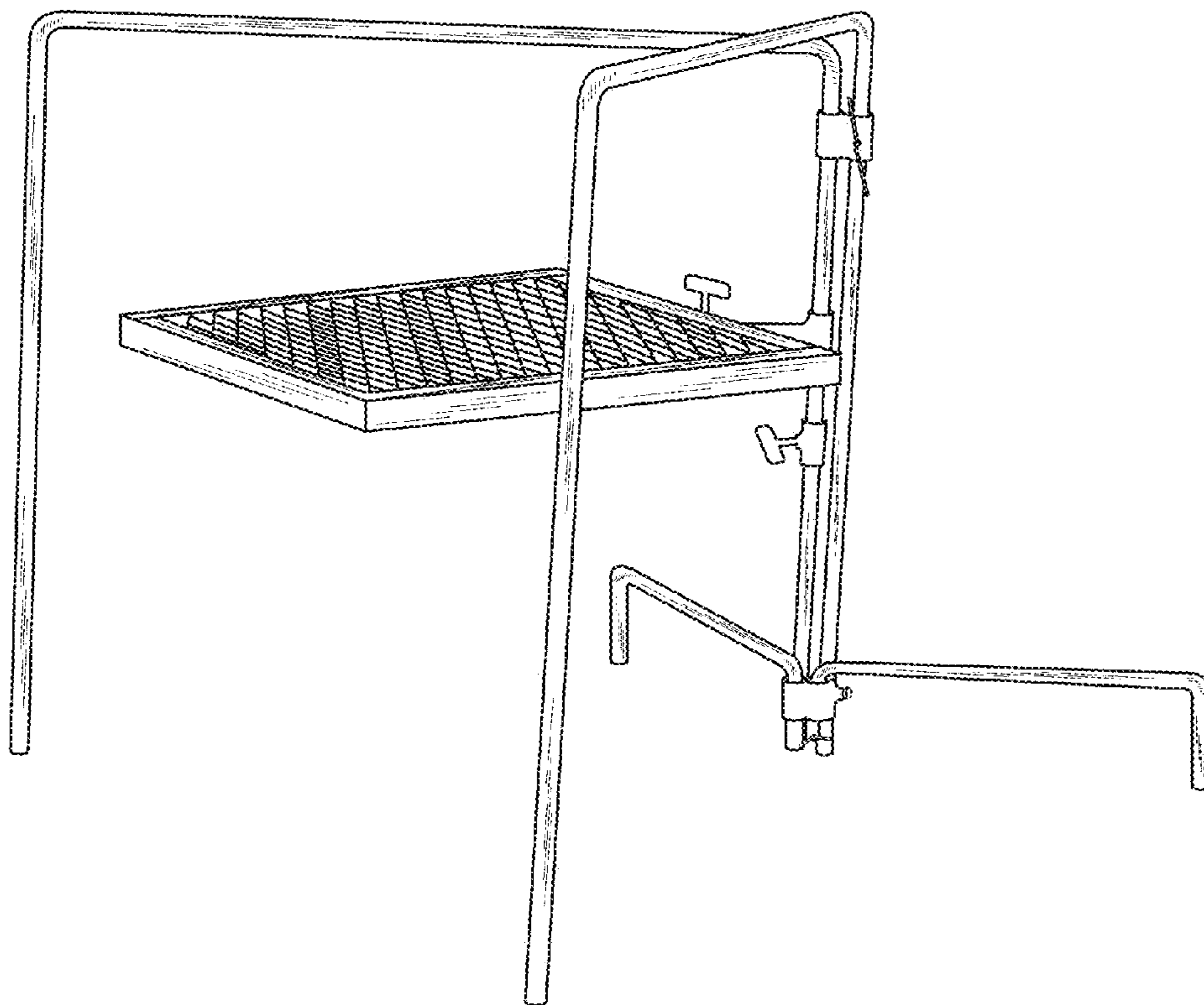


FIG. 1

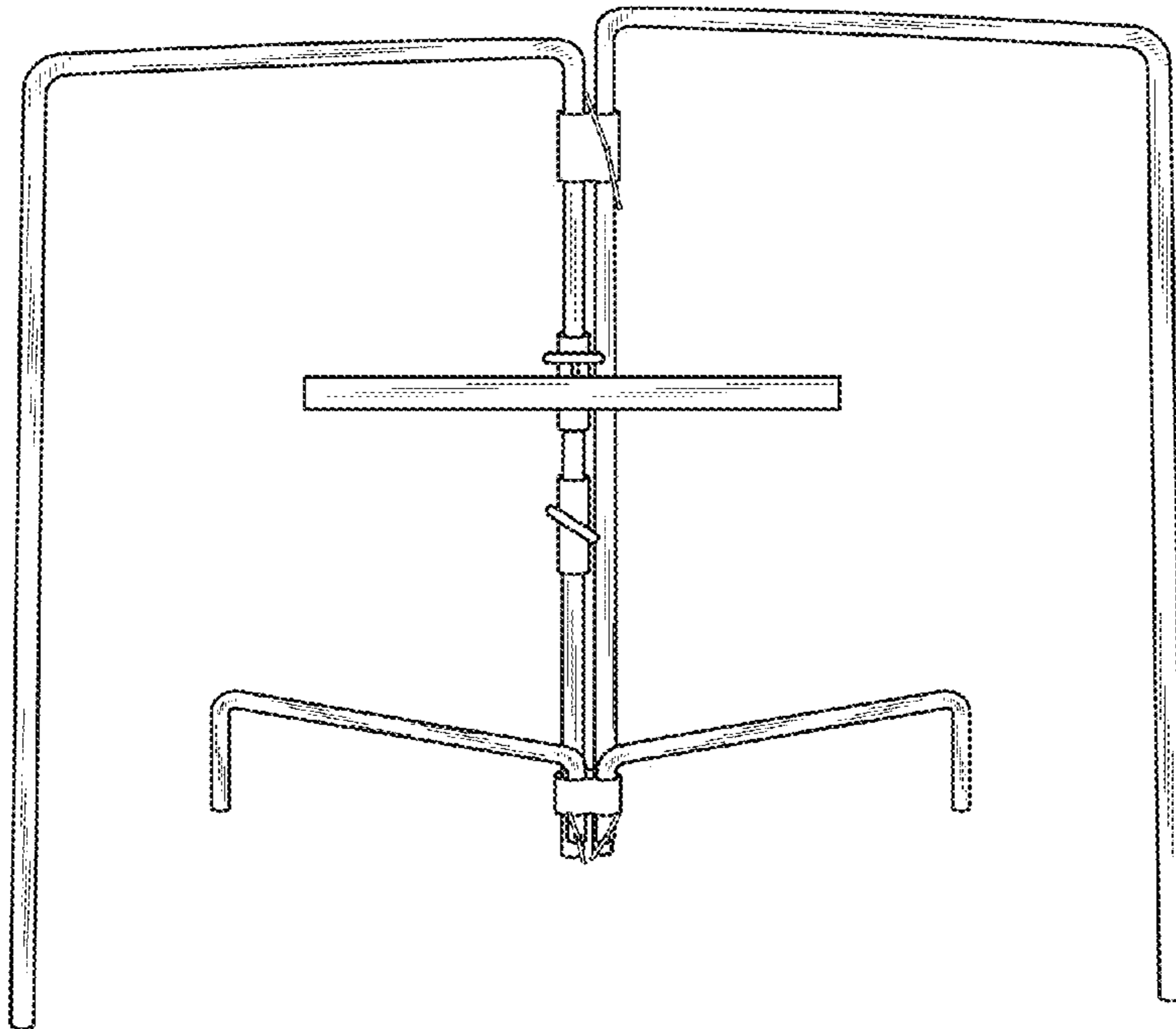


FIG. 2

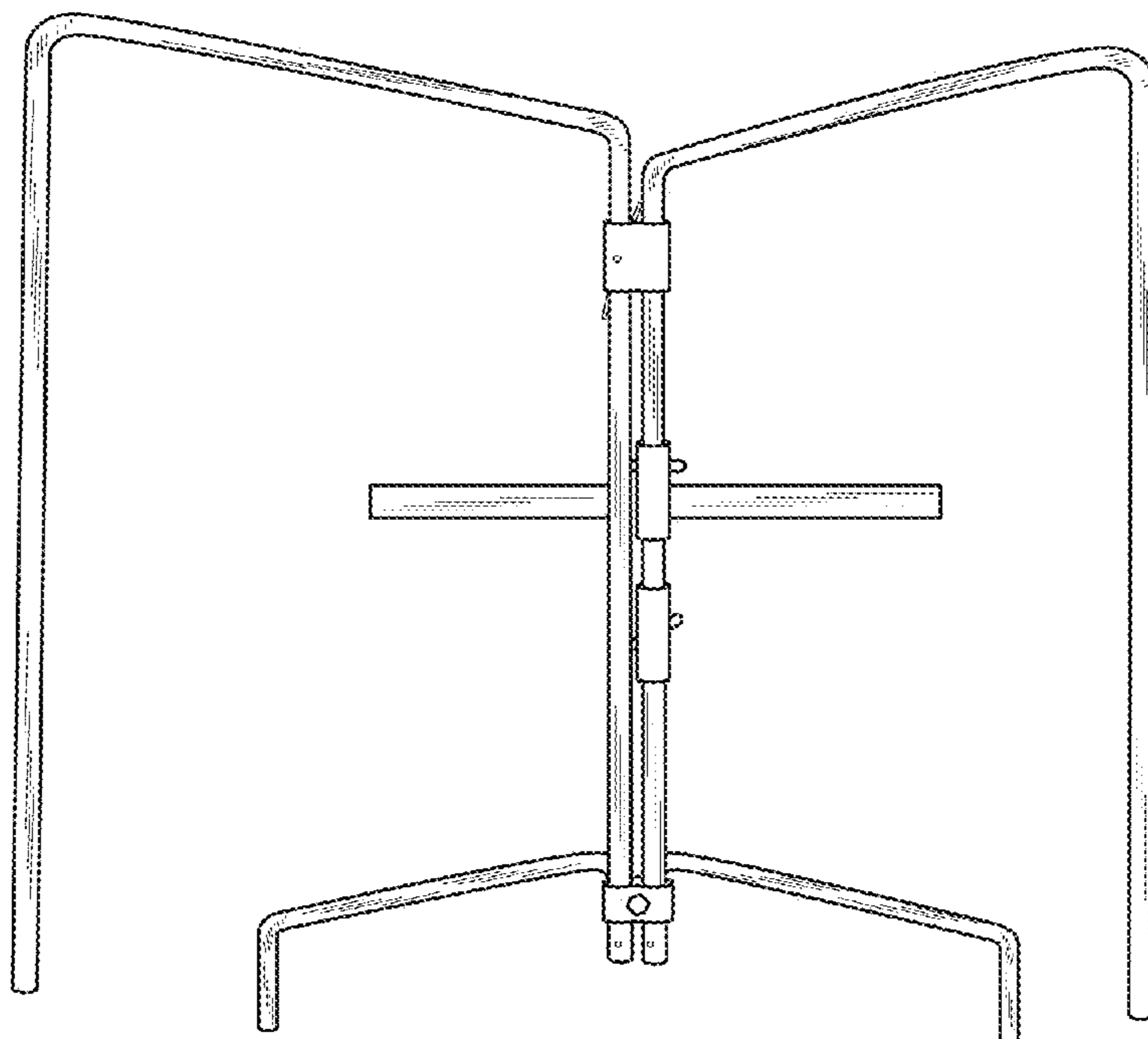


FIG. 3

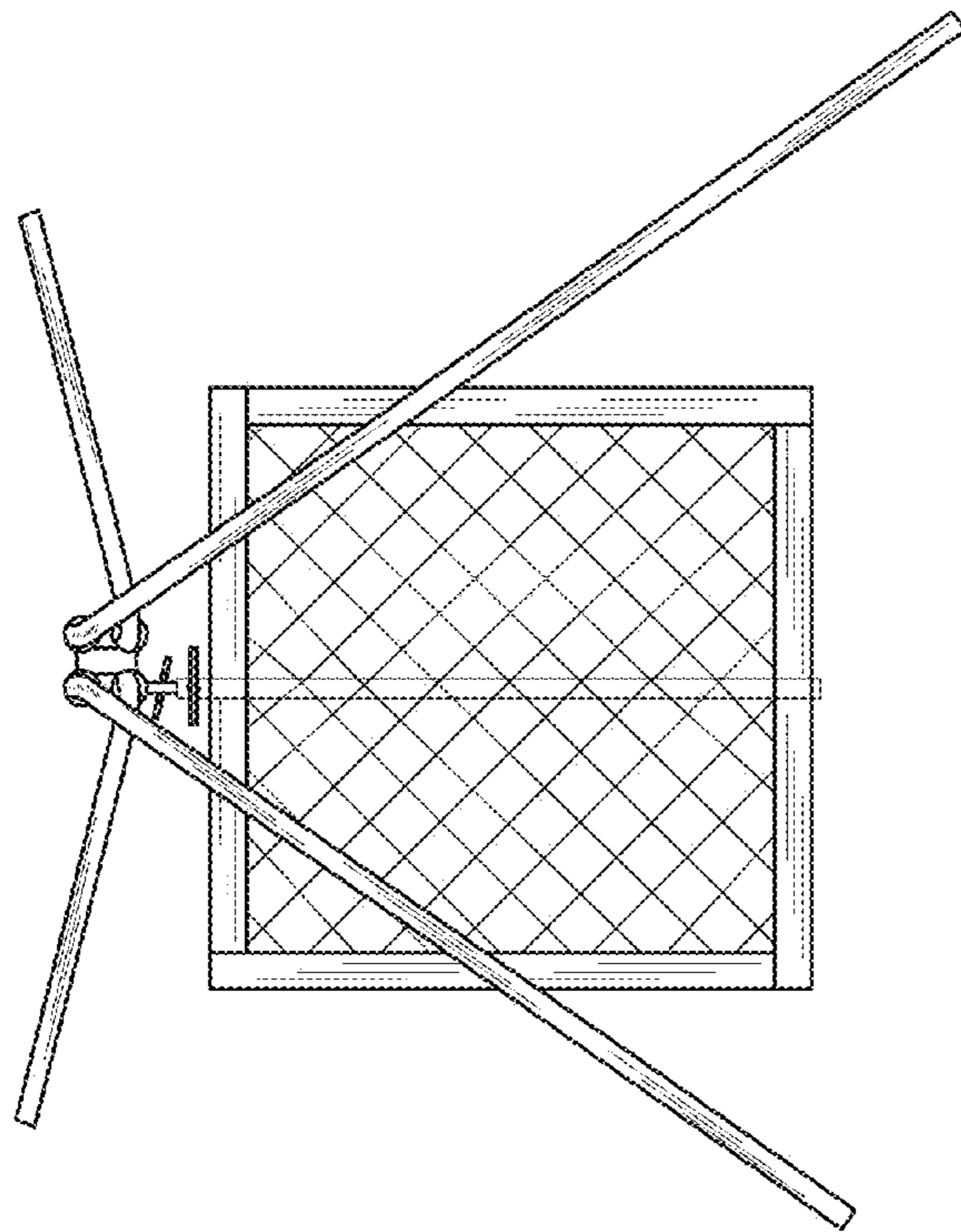


FIG. 4

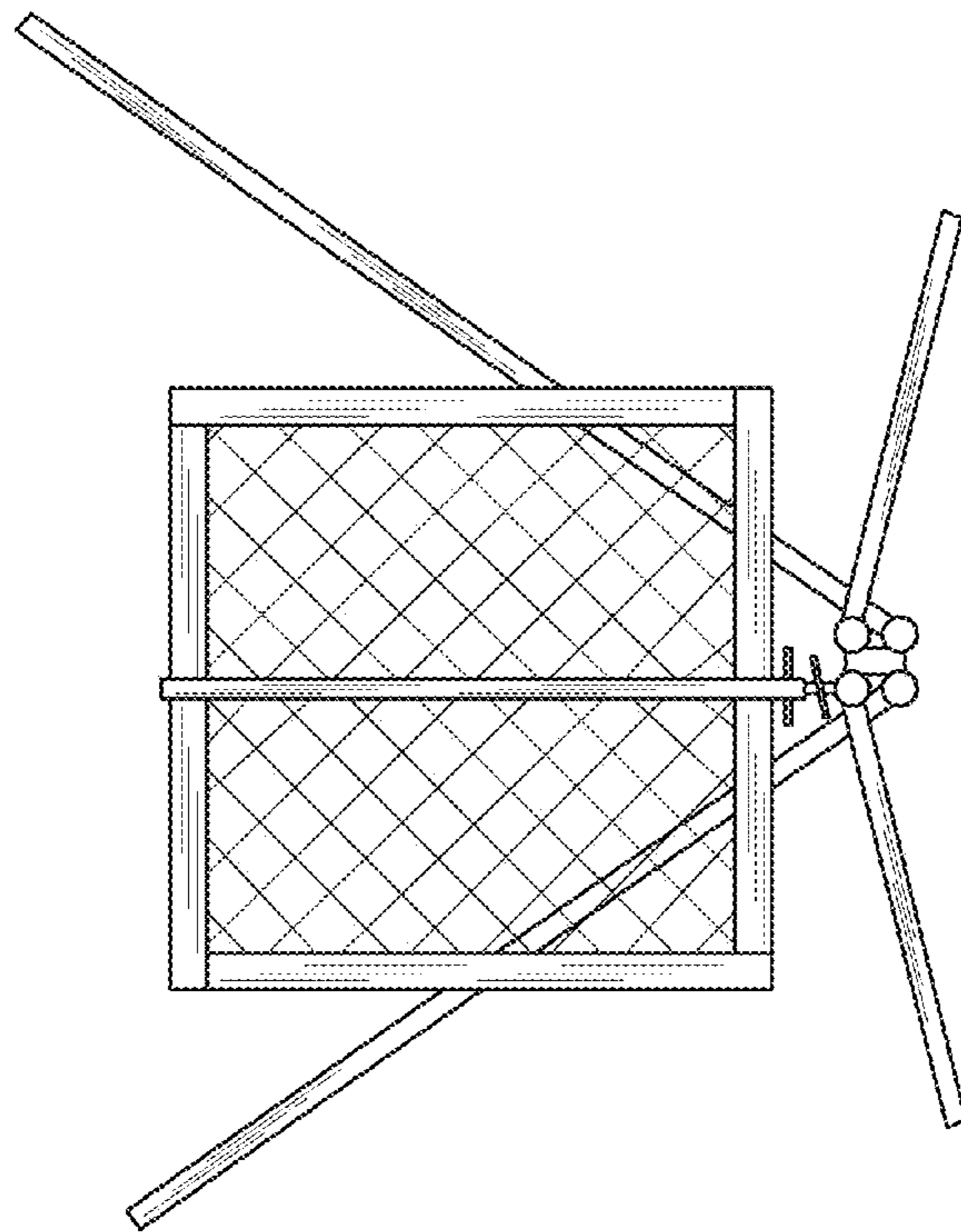


FIG. 5

