



US00D718075S

(12) **United States Design Patent**  
**Franco**

(10) **Patent No.:** **US D718,075 S**

(45) **Date of Patent:** **\*\* Nov. 25, 2014**

(54) **BEACH TOWEL**

(71) Applicant: **Abraham Franco**, Miami Beach, FL  
(US)

(72) Inventor: **Abraham Franco**, Miami Beach, FL  
(US)

(\*\*) Term: **14 Years**

(21) Appl. No.: **29/476,409**

(22) Filed: **Dec. 13, 2013**

(51) **LOC (10) Cl.** ..... **06-13**

(52) **U.S. Cl.**  
USPC ..... **D6/608**; D2/717

(58) **Field of Classification Search**  
CPC ..... A41B 1/00; A47G 27/02; A47G 9/00;  
A47G 9/02  
USPC ..... D2/702, 717, 731, 734, 739, 741, 840,  
D2/844, 847; D5/4, 5, 16, 24, 32, 37, 45,  
D5/46, 55-64, 66, 99; D6/303, 305, 582,  
D6/591, 592, 597-599, 601-603, 606-609,  
D6/620, 717; D20/11; 2/69; 5/496

See application file for complete search history.

(56) **References Cited**

**U.S. PATENT DOCUMENTS**

D126,967 S \* 5/1941 Rhodes ..... D5/46  
D255,169 S \* 6/1980 McCue ..... D2/717  
5,960,476 A \* 10/1999 Danzy ..... 2/115  
D486,342 S \* 2/2004 Suzuki ..... D6/601  
D505,886 S \* 6/2005 Puett, III ..... D11/172  
D603,644 S \* 11/2009 Ketner ..... D6/601

7,740,215 B2 \* 6/2010 Lang ..... 248/206.5  
D632,056 S \* 2/2011 Pijut ..... D2/717  
D647,280 S \* 10/2011 Beeler ..... D2/717  
8,732,866 B2 \* 5/2014 Genz et al. .... 2/244  
2004/0083529 A1 \* 5/2004 Tate ..... 2/115  
2005/0108907 A1 \* 5/2005 Noble ..... 40/582  
2009/0134048 A1 \* 5/2009 Zeh et al. .... 206/278

**OTHER PUBLICATIONS**

Big Time Jersey Jersey-shaped Rally Towels, announced Mar. 2014 [online], [site visited Aug. 11, 2014], Available from Internet, <<https://www.facebook.com/pages/Big-Time-Jersey/109215839118254?fref=photo>>.\*

\* cited by examiner

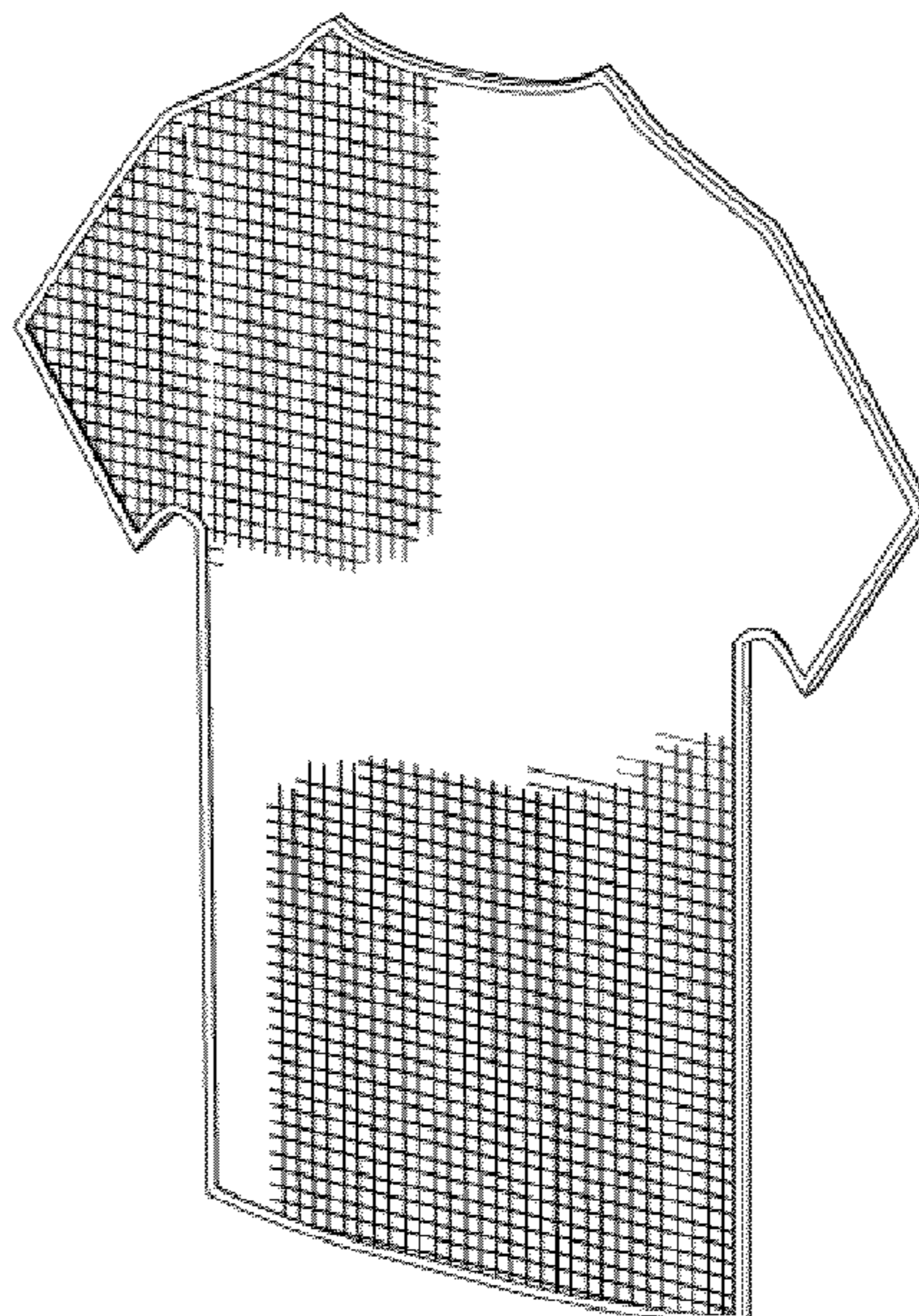
*Primary Examiner* — Karen S Acker  
*Assistant Examiner* — Clare Ann Gannon  
(74) *Attorney, Agent, or Firm* — Malloy & Malloy, P.L.

(57) **CLAIM**  
The ornamental design for a beach towel, as shown and described.

**DESCRIPTION**

FIG. 1 is a front perspective view illustrating my design for a beach towel;  
FIG. 2 is a front view thereof;  
FIG. 3 is a right side view thereof;  
FIG. 4 is a top view thereof;  
FIG. 5 is a left side view thereof;  
FIG. 6 is a bottom view thereof; and,  
FIG. 7 is a rear view thereof.

**1 Claim, 4 Drawing Sheets**



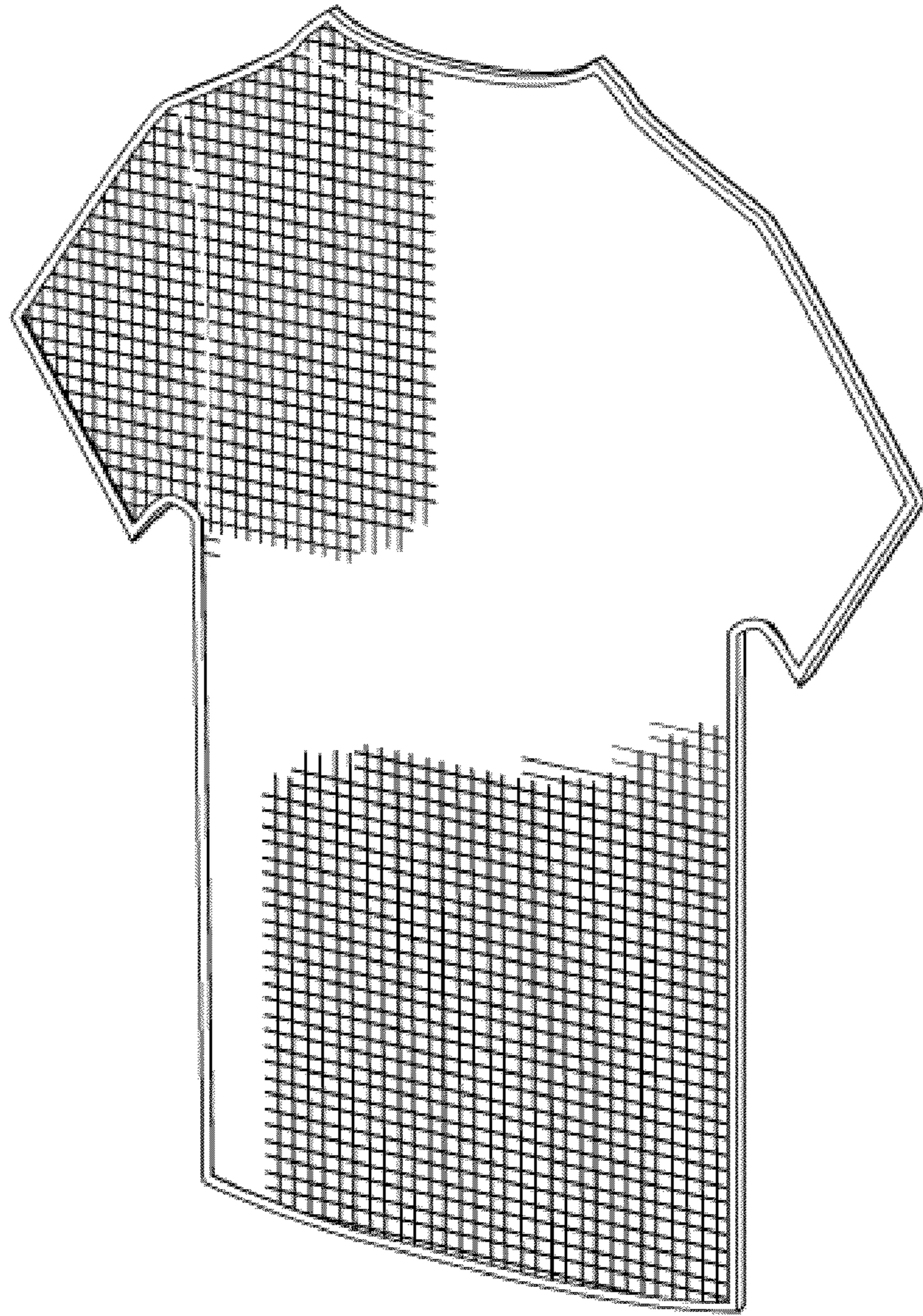


FIG. 1

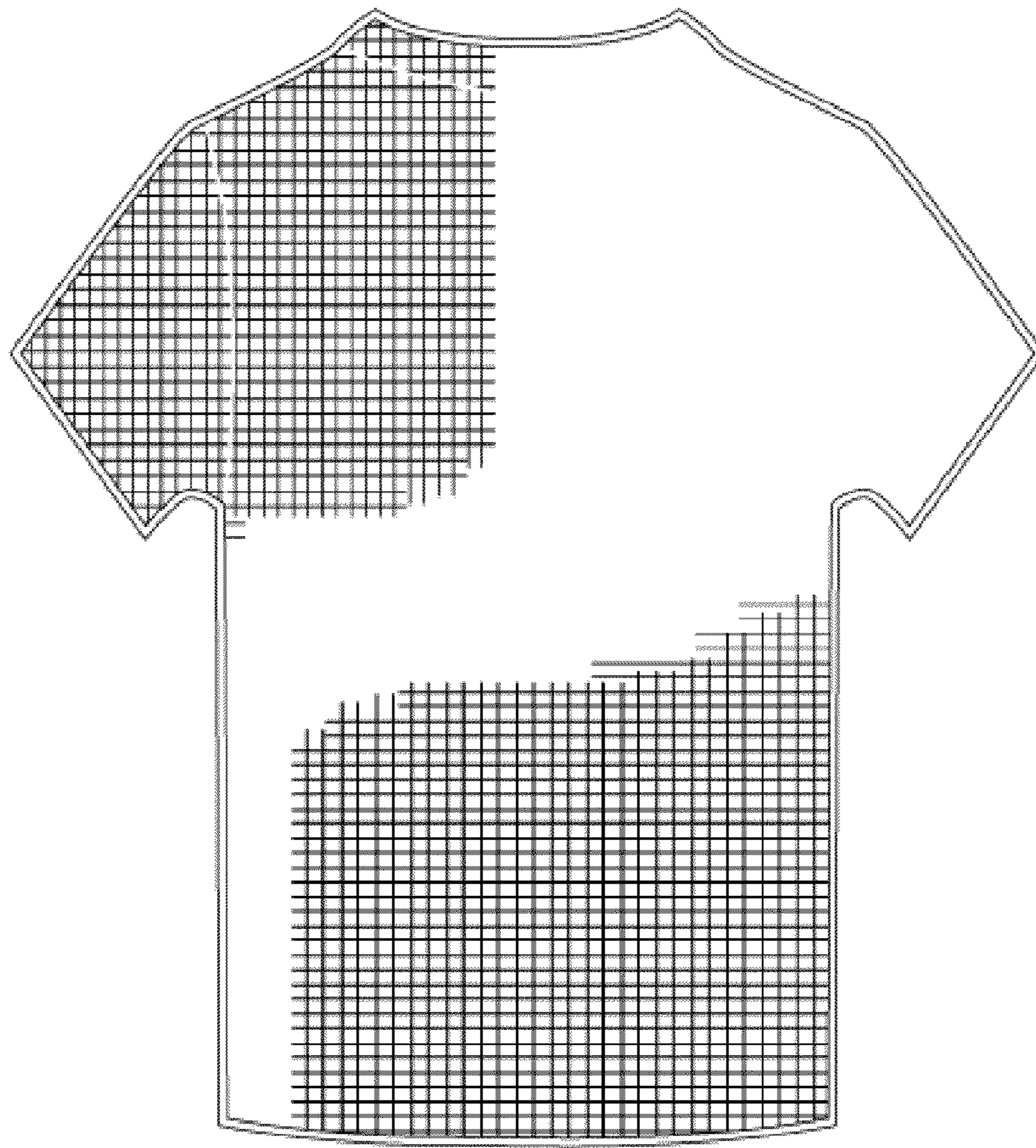


FIG. 2

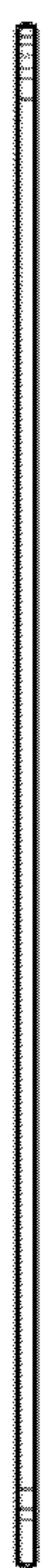


FIG. 3



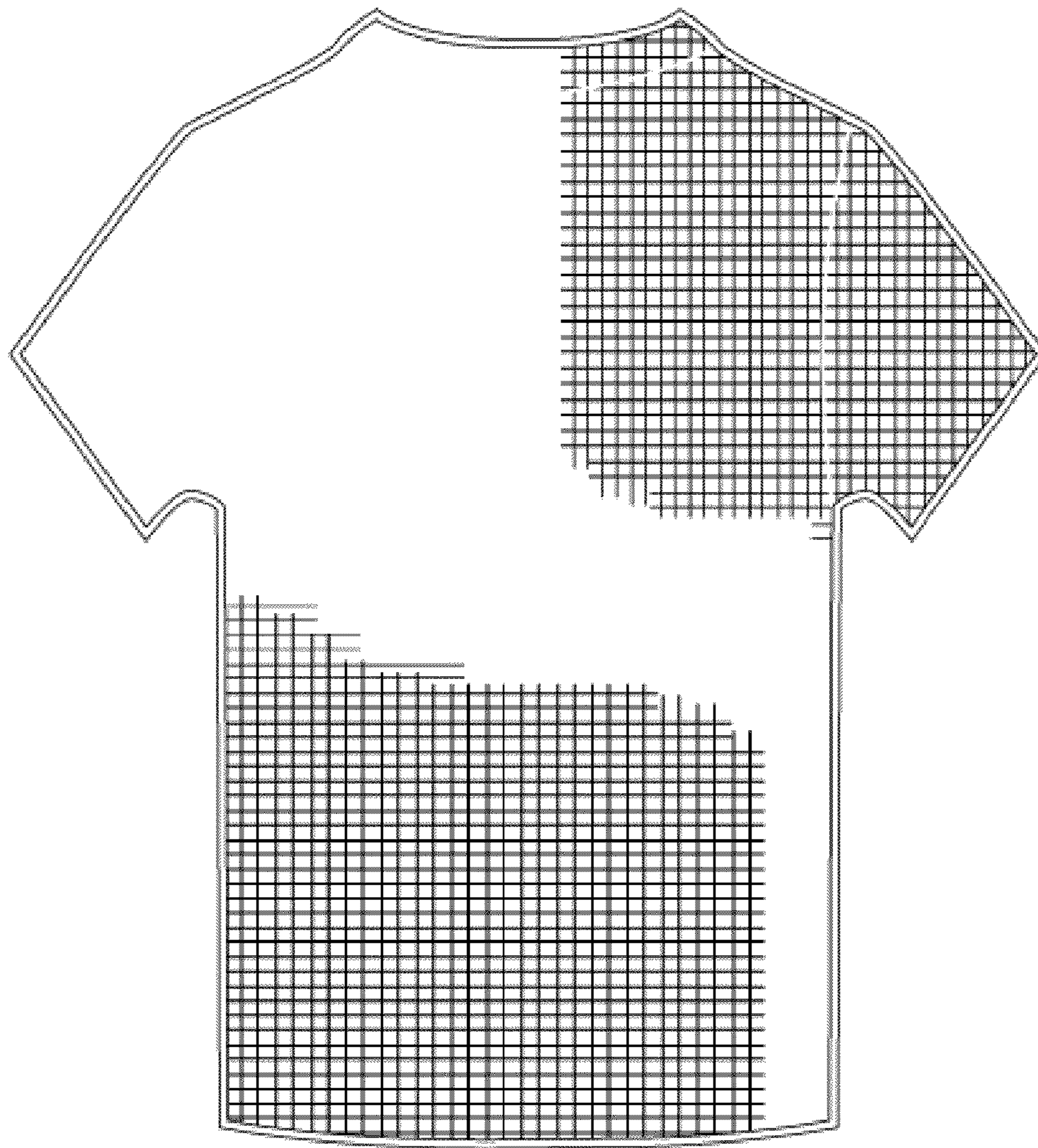
FIG. 4



FIG. 5



**FIG. 6**



**FIG. 7**