



US00D718074S

(12) **United States Design Patent**  
**Savolainen**

(10) **Patent No.:** **US D718,074 S**

(45) **Date of Patent:** **\*\* Nov. 25, 2014**

(54) **PILLOW**

(56) **References Cited**

U.S. PATENT DOCUMENTS

(71) Applicant: **Sami Tuomas Savolainen**, Hyvinkää  
(FI)

5,960,494	A *	10/1999	Gilliland et al. ....	5/638
6,079,067	A *	6/2000	Becker et al. ....	5/655
6,842,924	B1 *	1/2005	Walters .....	5/637
7,036,168	B1	5/2006	Knickerbocker	
D642,278	S *	7/2011	Sharps et al. ....	D24/184
2004/0172064	A1	9/2004	MacDonald	
2006/0053557	A1	3/2006	Damron	
2007/0277319	A1	12/2007	Calvert	
2010/0205743	A1	8/2010	Harges	

(72) Inventor: **Sami Tuomas Savolainen**, Hyvinkää  
(FI)

(\*\*) Term: **14 Years**

\* cited by examiner

(21) Appl. No.: **29/455,712**

*Primary Examiner* — Janice Seeger

(22) Filed: **May 23, 2013**

(74) *Attorney, Agent, or Firm* — Sand & Sebolt

(30) **Foreign Application Priority Data**

Nov. 23, 2012 (EM) ..... 001353577-0001

(51) **LOC (10) Cl.** ..... **06-09**

(52) **U.S. Cl.**  
USPC ..... **D6/601**

(58) **Field of Classification Search**

CPC ..... A47C 7/383; A47G 9/10; A47G 9/1054;  
A47G 9/1081; A47G 9/1072; A61G 2200/325;  
A61G 13/121

USPC ..... D6/595, 596, 601; 5/630, 636-638,  
5/643, 633, 652, 652.1, 653-655, 655.9,  
5/656, 657

See application file for complete search history.

(57) **CLAIM**

The ornamental design for a pillow, as shown and described.

**DESCRIPTION**

FIG. 1 is a perspective view of the pillow in accordance with the design of the present invention;

FIG. 2 is a front elevational view of the pillow shown in FIG. 1;

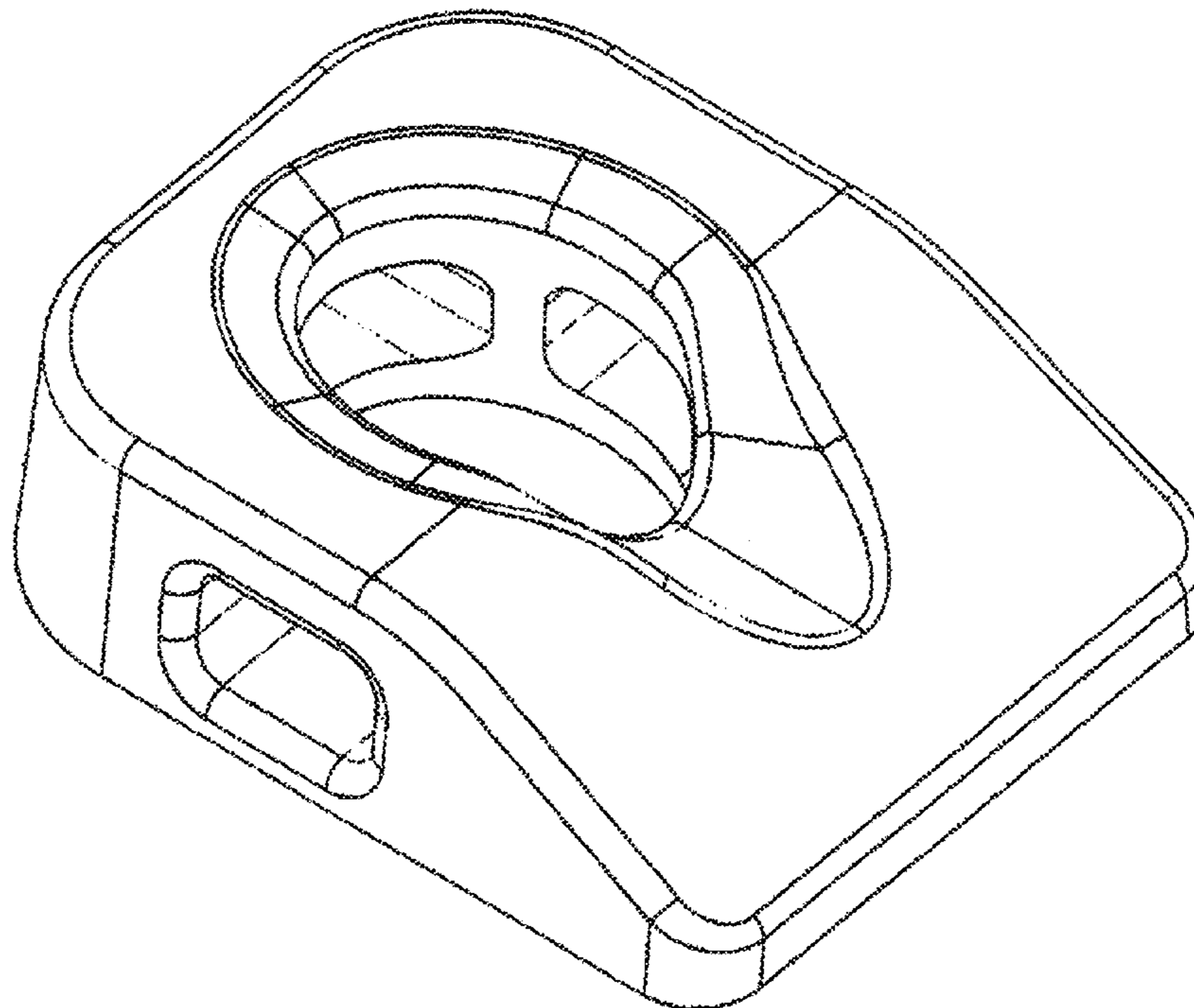
FIG. 3 is a right elevational side view of the pillow shown in FIG. 1;

FIG. 4 is a rear elevational view of the pillow shown in FIG. 1;

FIG. 5 is a left side elevational view of the pillow shown in FIG. 1;

FIG. 6 is a top plan view of the pillow shown in FIG. 1; and, FIG. 7 is a bottom plan view of the pillow shown in FIG. 1.

**1 Claim, 7 Drawing Sheets**



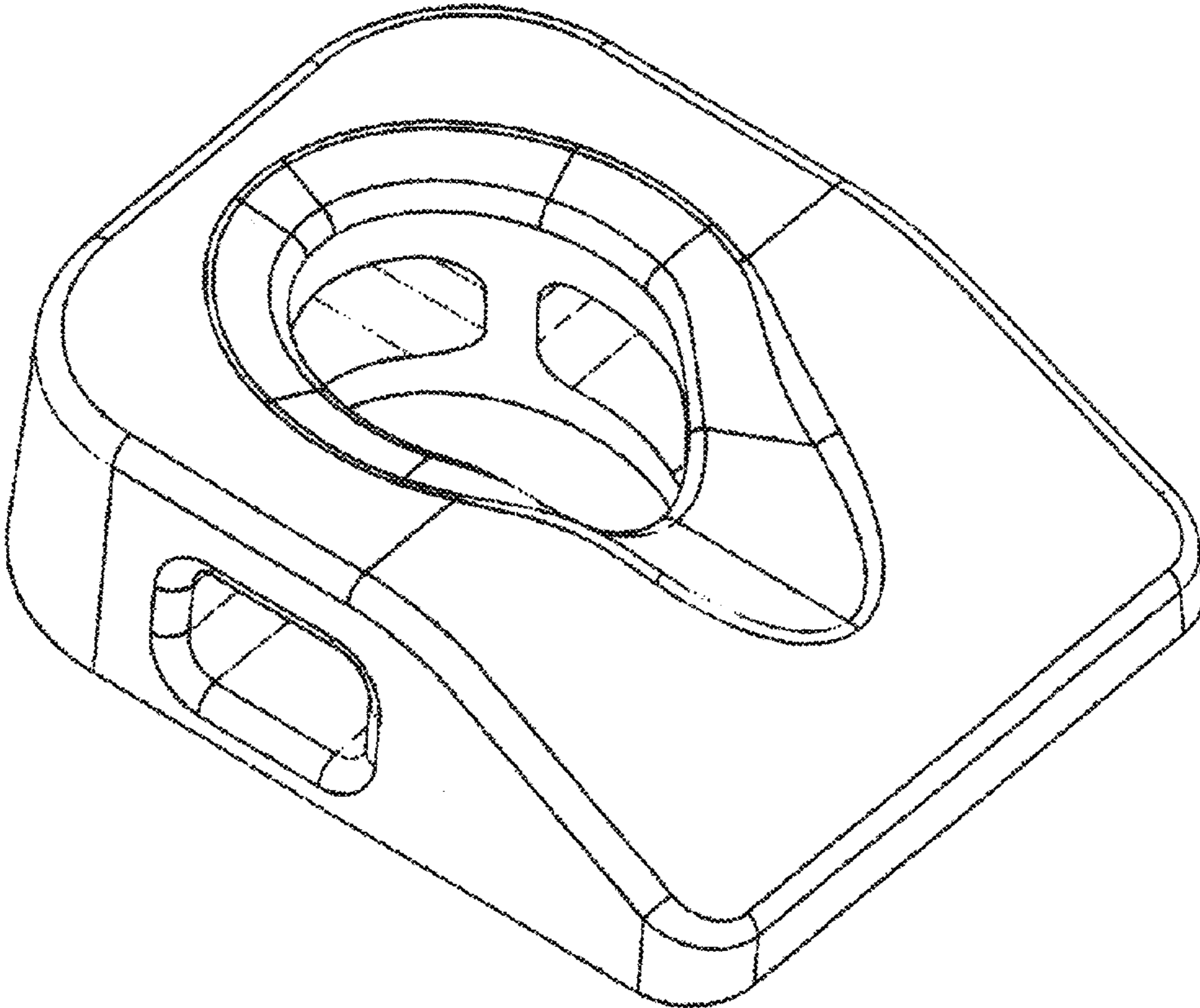


Fig. 1

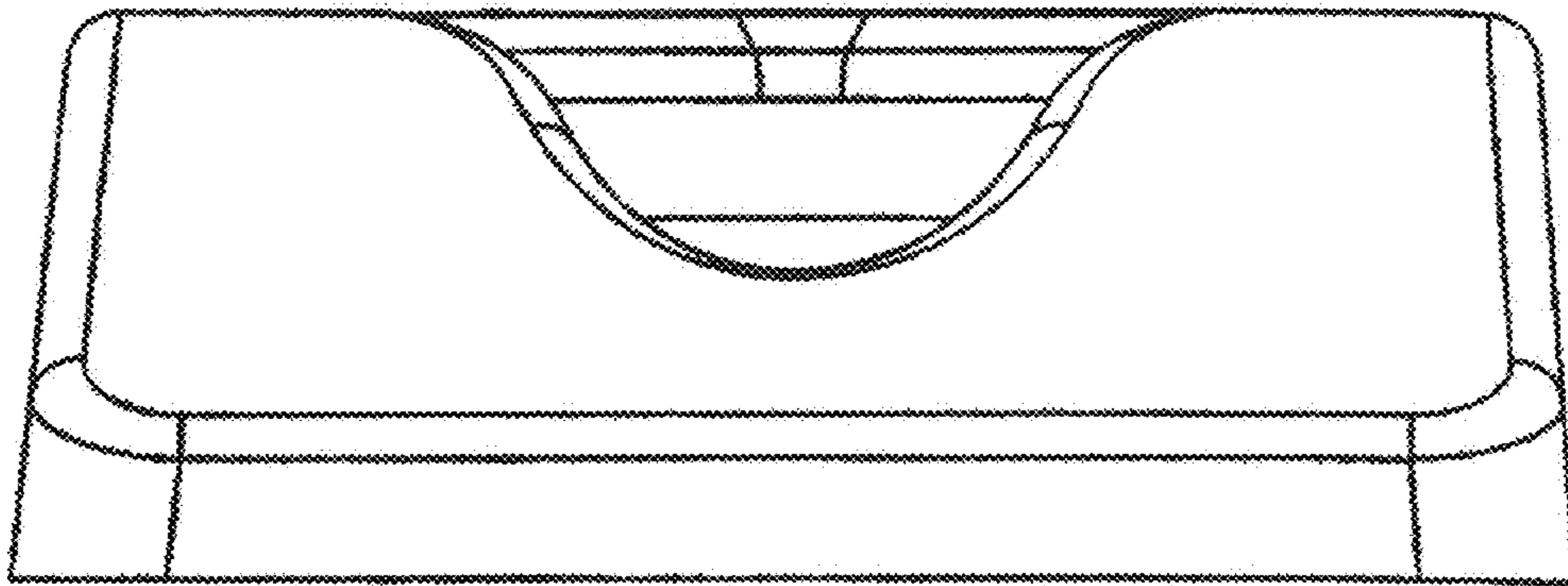


Fig. 2

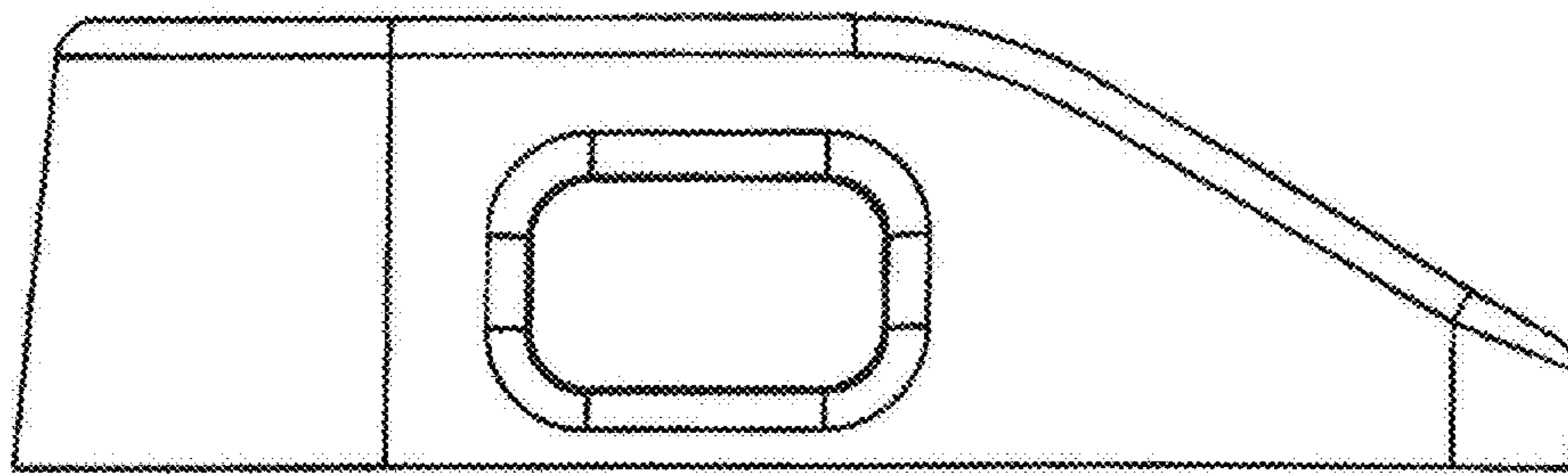


Fig. 3

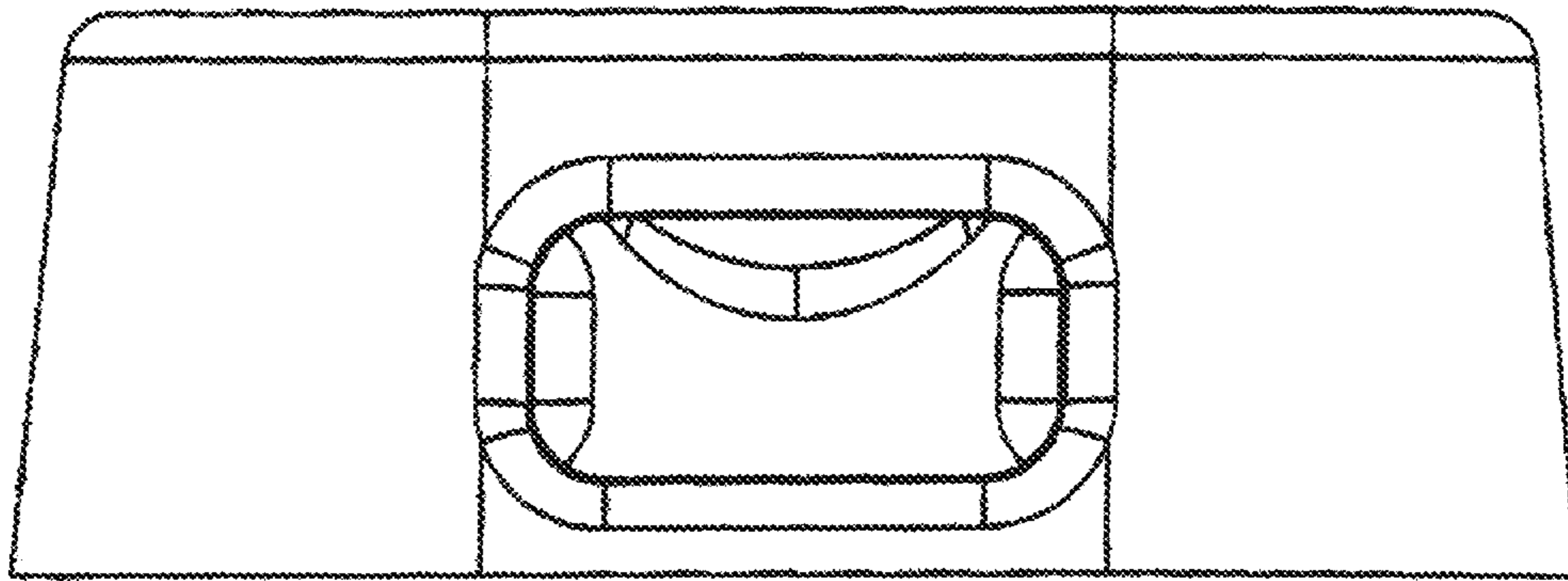


Fig. 4

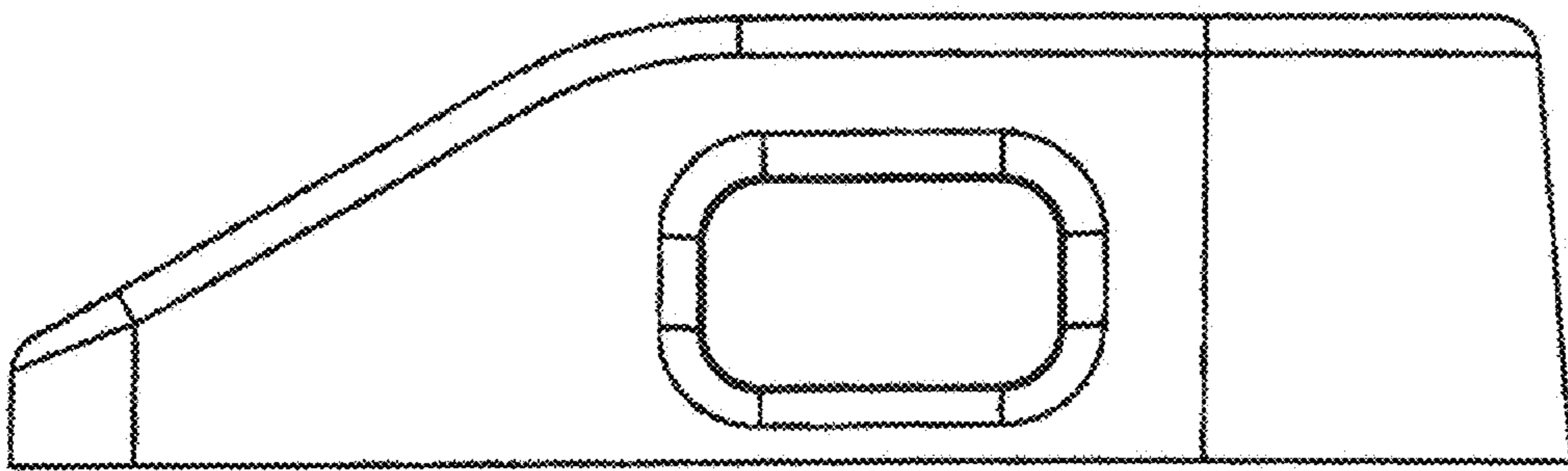


Fig. 5



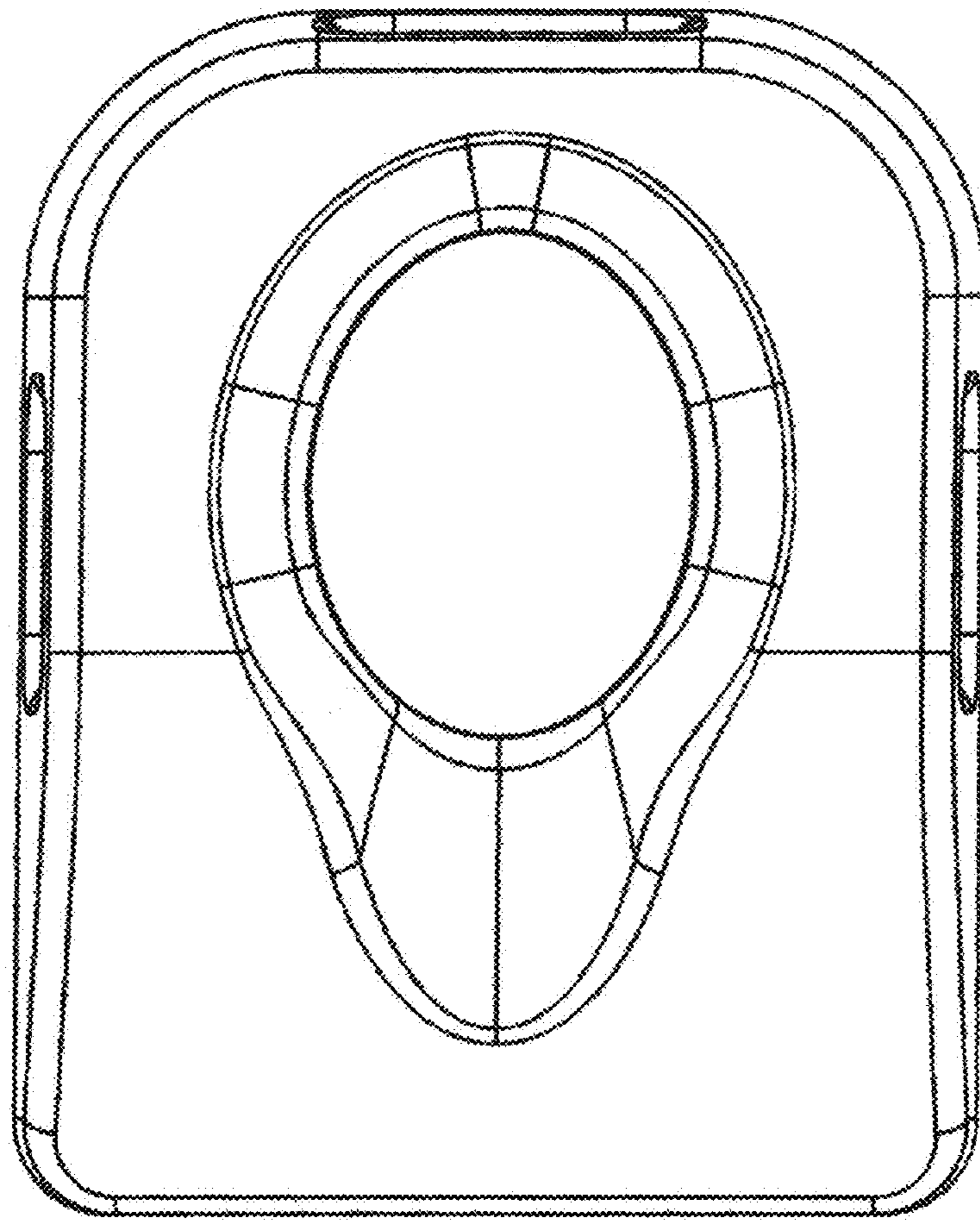


Fig. 6

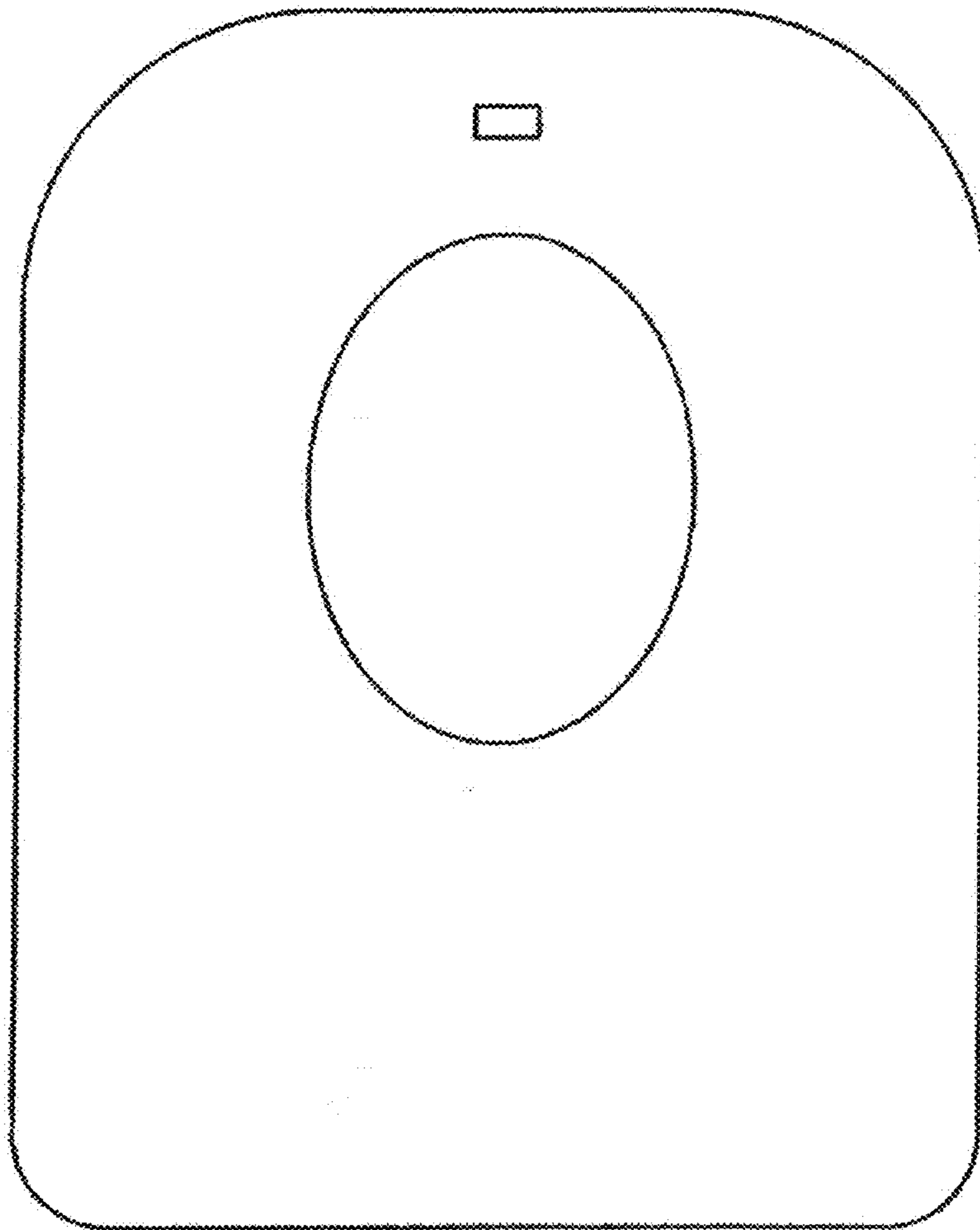


Fig. 7