



US00D718073S

(12) **United States Design Patent**
Cuthbert

(10) **Patent No.:** **US D718,073 S**

(45) **Date of Patent:** **** Nov. 25, 2014**

(54) **WALL SHELF**

(71) Applicant: **Robert Cuthbert**, Palo Alto, CA (US)

(72) Inventor: **Robert Cuthbert**, Palo Alto, CA (US)

(73) Assignee: **Robert Cuthbert**, Palo Alto, CA (US)

(**) Term: **14 Years**

(21) Appl. No.: **29/475,953**

(22) Filed: **Dec. 9, 2013**

(51) **LOC (10) Cl.** **06-04**

(52) **U.S. Cl.**
USPC **D6/574**

(58) **Field of Classification Search**
USPC D6/329, 396, 417, 552, 553, 567, 574;
108/152; 211/13.1, 49.1, 60.1, 64,
211/70.5, 86.01, 87.01, 88.01, 89.01,
211/181.1; 248/560, 121, 175, 200, 302,
248/304, 309.1, 310, 312; D21/483, 506

See application file for complete search history.

(56) **References Cited**

U.S. PATENT DOCUMENTS

D520,795 S *	5/2006	Kivett	D6/574
D546,103 S *	7/2007	Eyman et al.	D6/574
D549,026 S *	8/2007	Parshad	D6/574
D709,966 S *	7/2014	Webb, Sr.	D21/506

* cited by examiner

Primary Examiner — Brian N Vinson

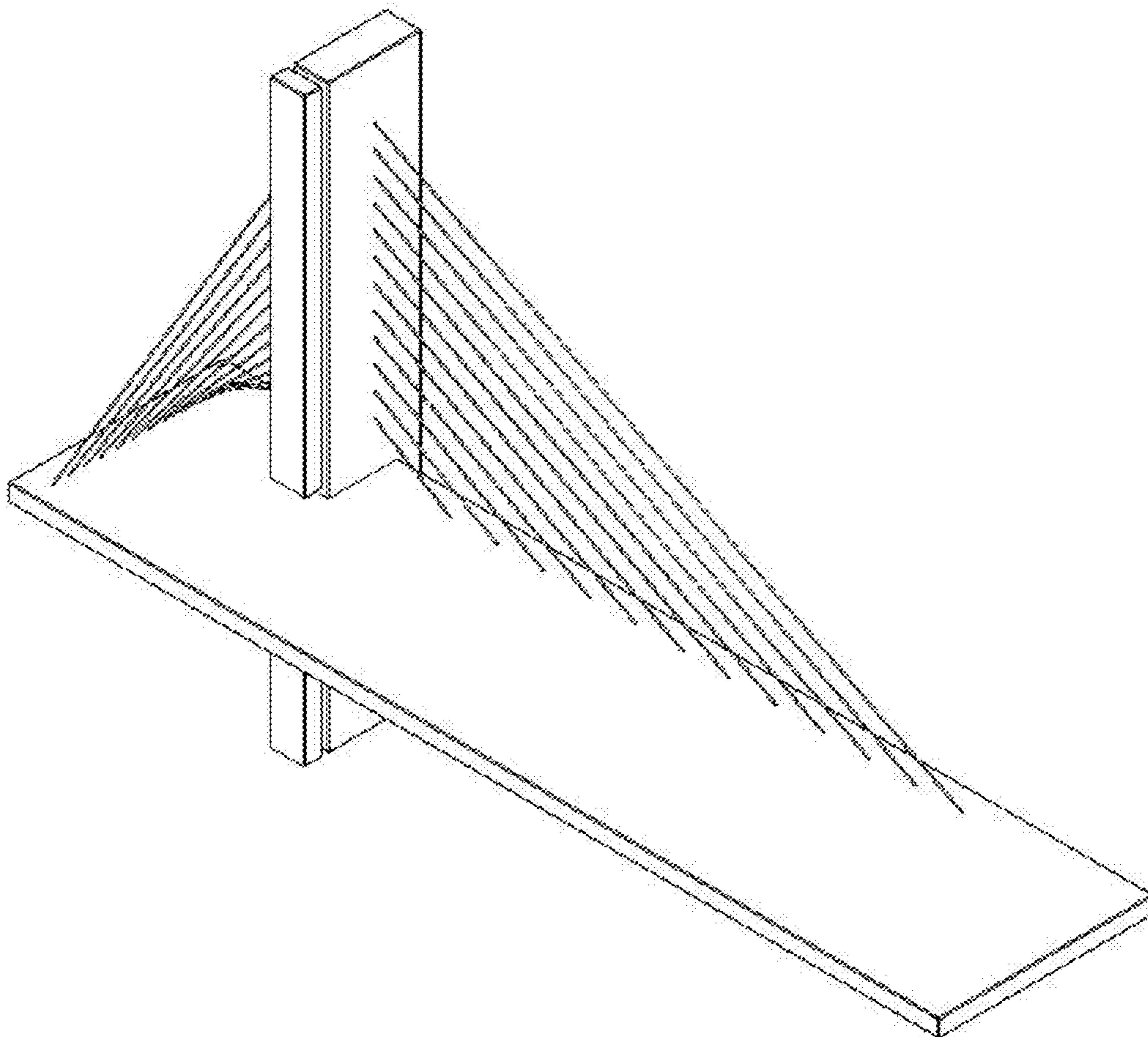
(57) **CLAIM**

I claim the ornamental design for a wall shelf, as shown.

DESCRIPTION

FIG. 1 is a front perspective view of the wall shelf showing my new design;
FIG. 2 is a front view thereof;
FIG. 3 is a back view thereof;
FIG. 4 is a top view thereof;
FIG. 5 is a bottom view thereof;
FIG. 6 is a left view thereof;
FIG. 7 is a right view thereof; and,
FIG. 8 is a back perspective view thereof.

1 Claim, 8 Drawing Sheets



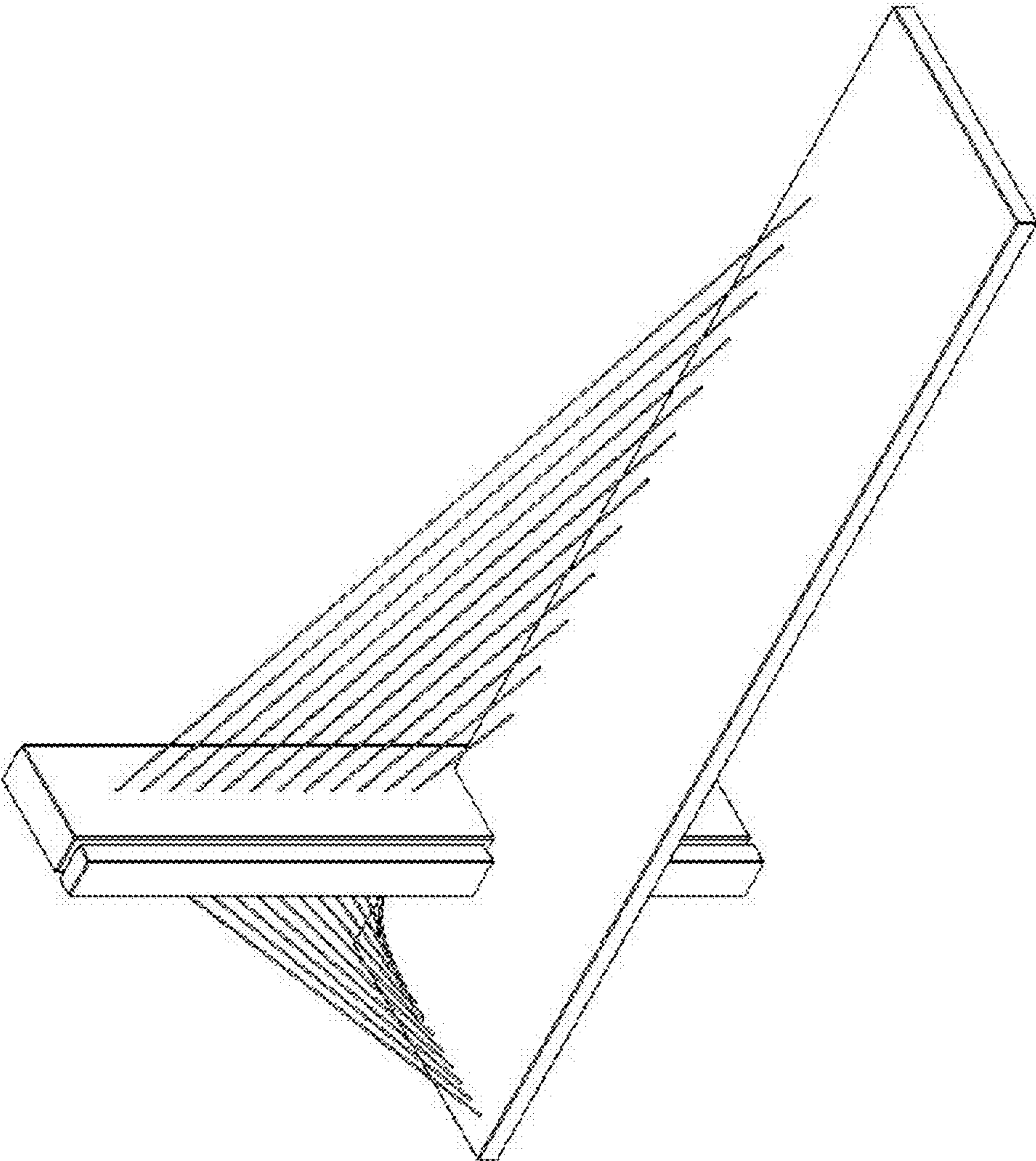


FIG. 1

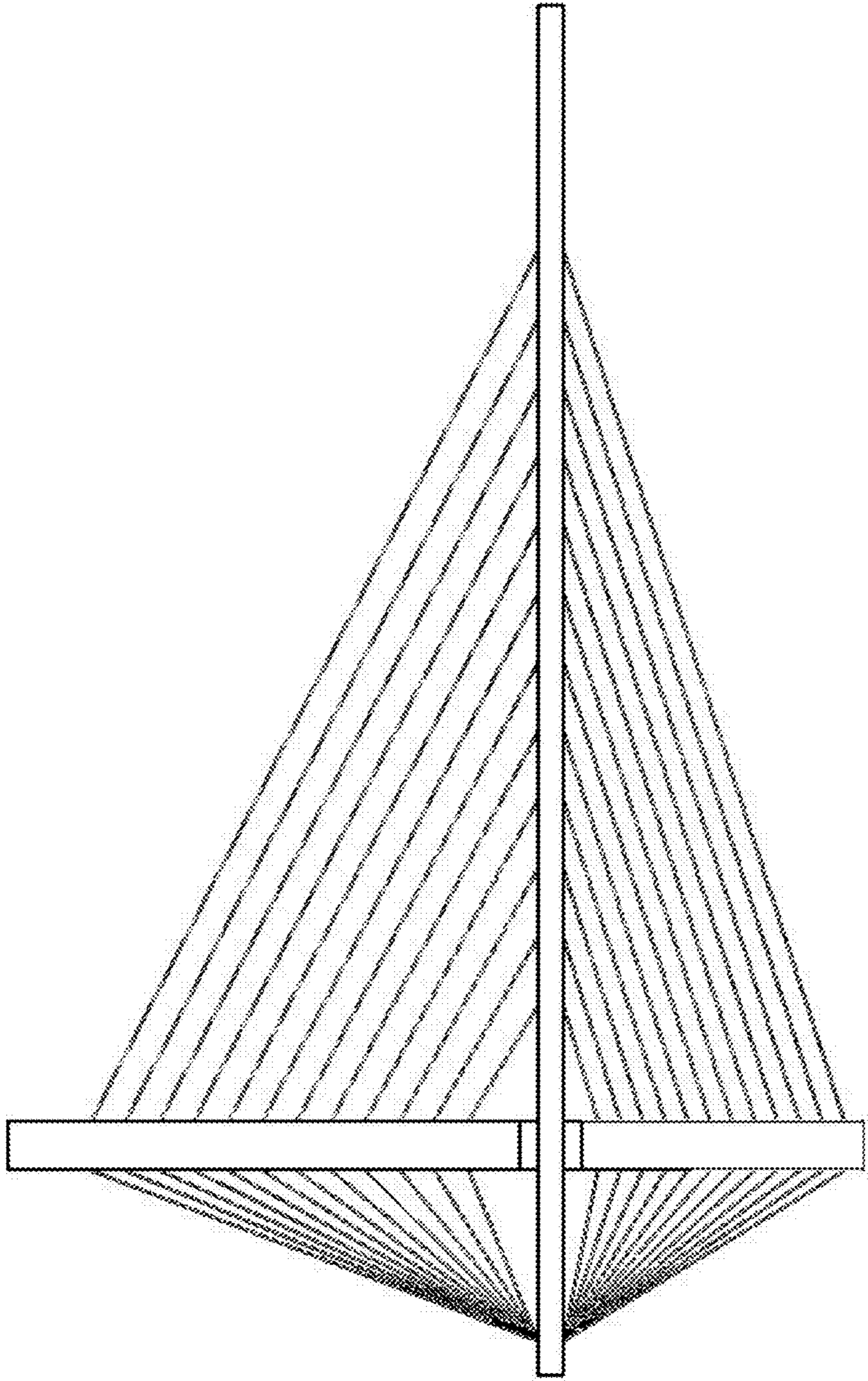


FIG. 2

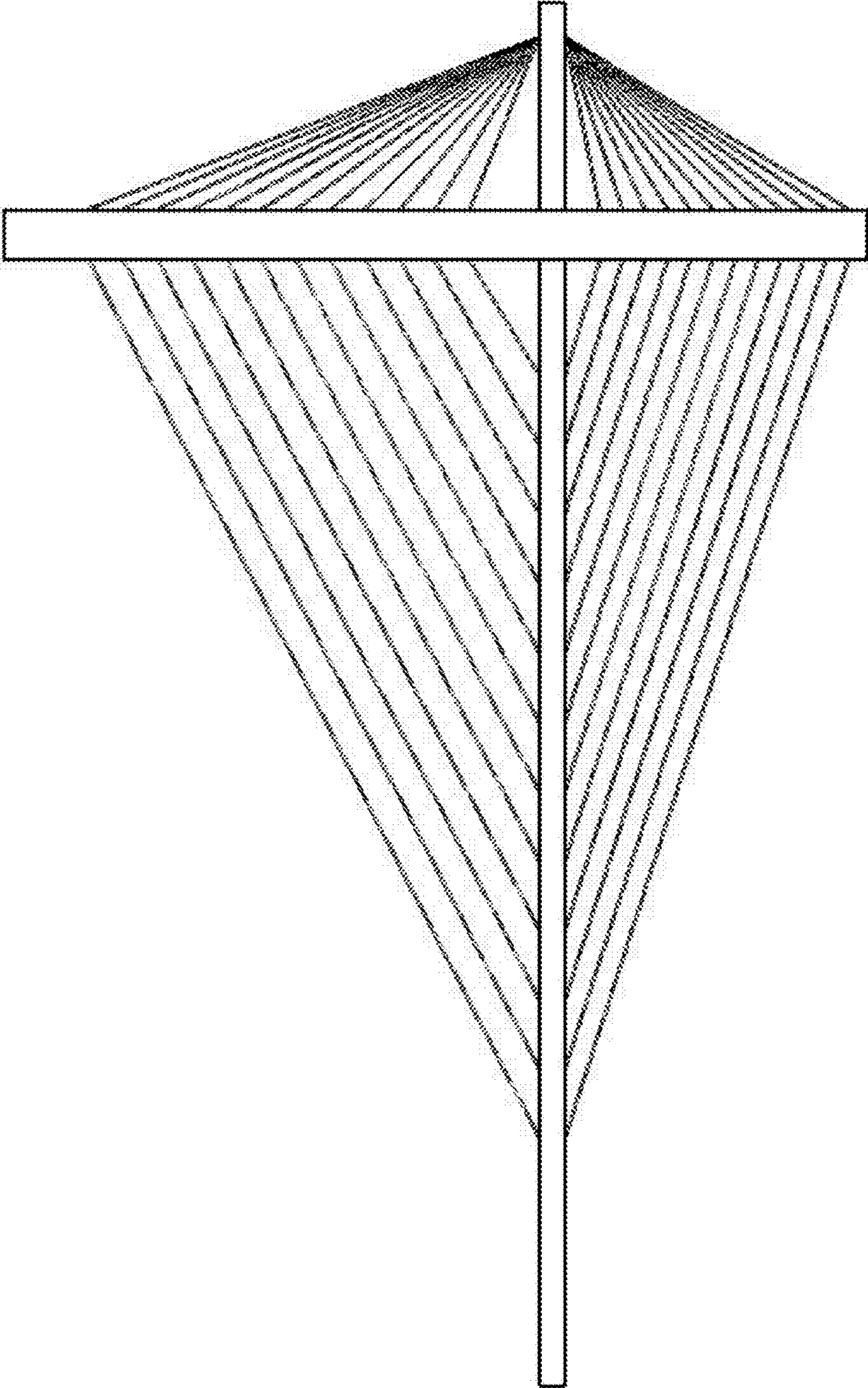


FIG. 3

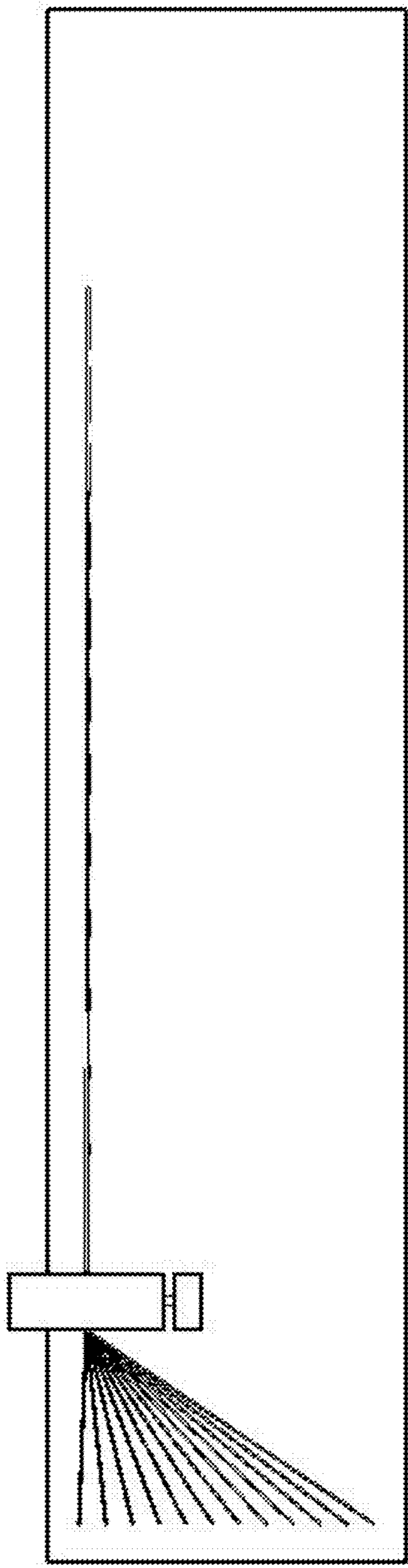


FIG. 4

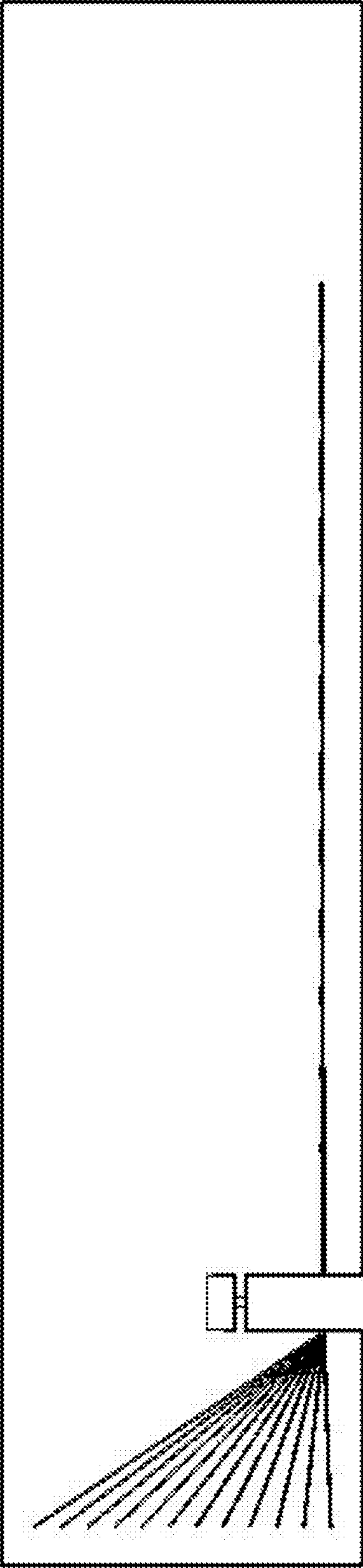


FIG. 5

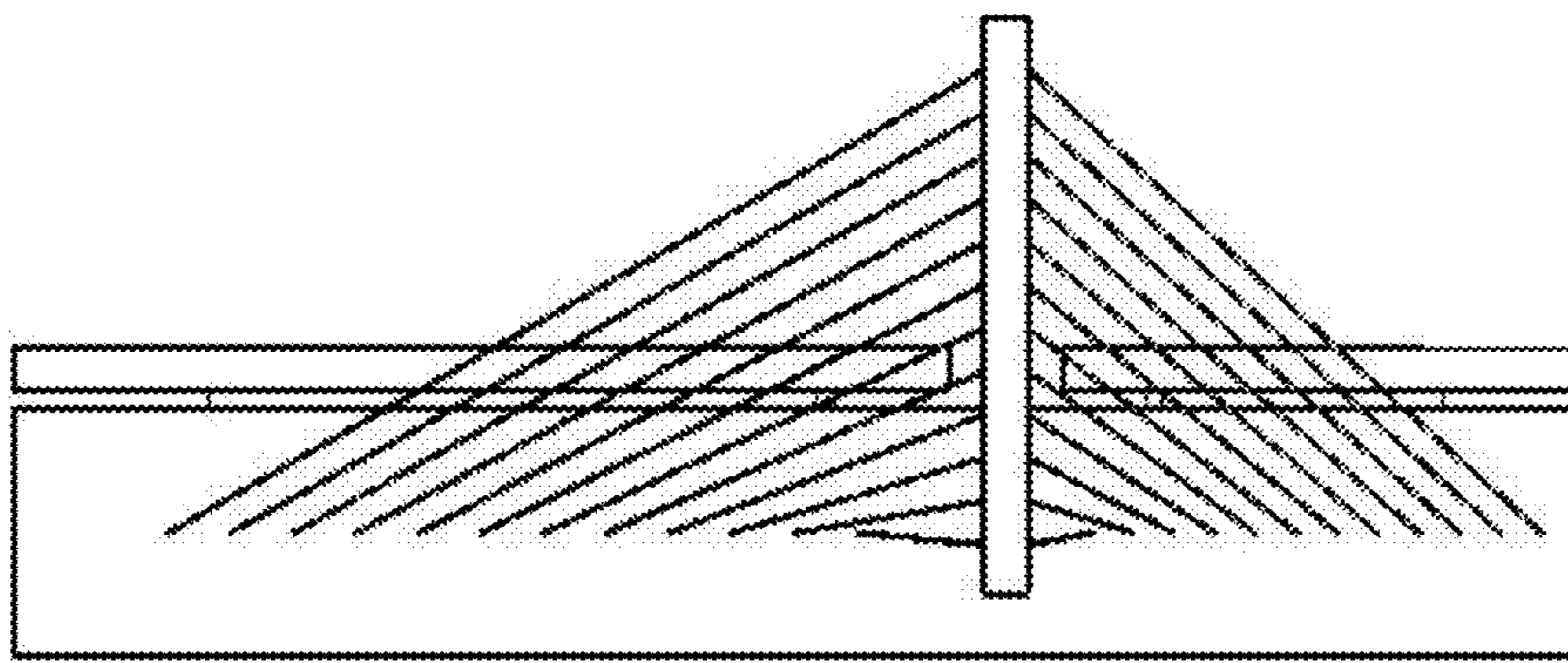


FIG. 6

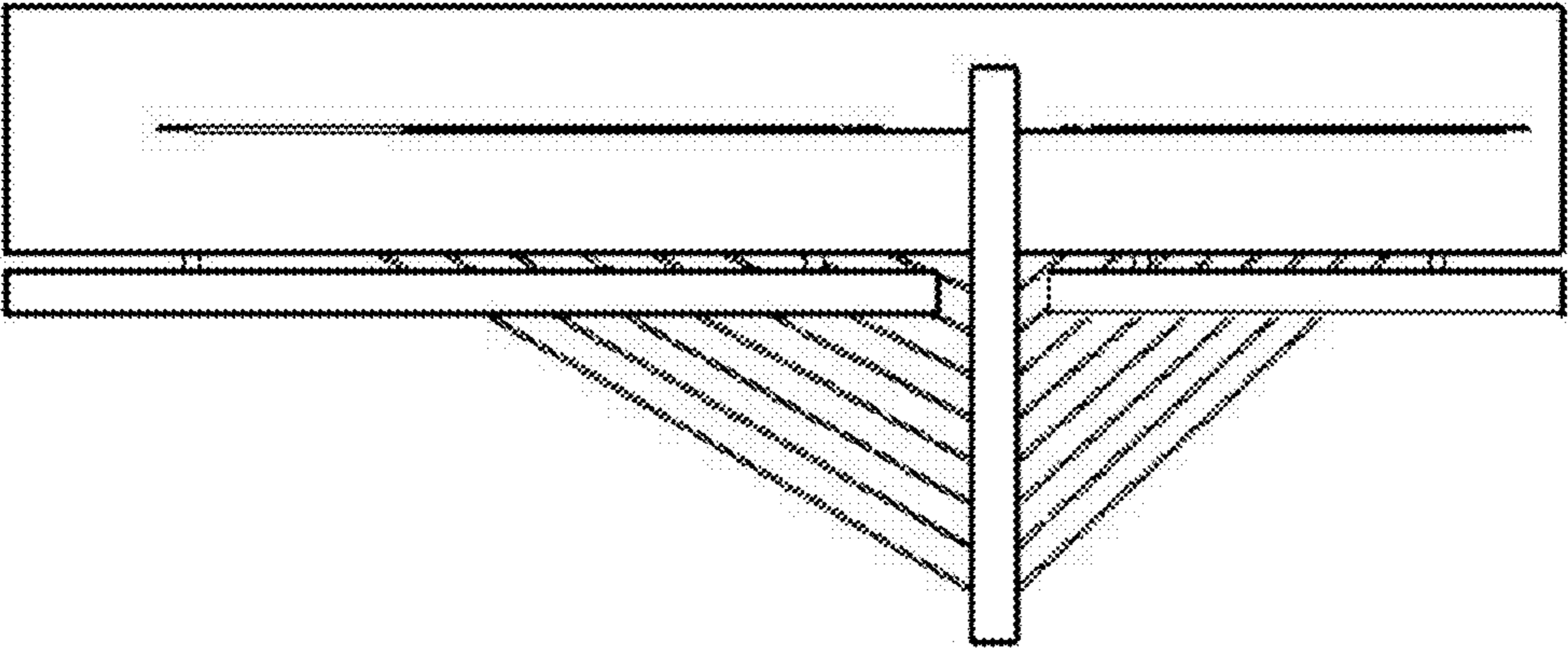


FIG. 7

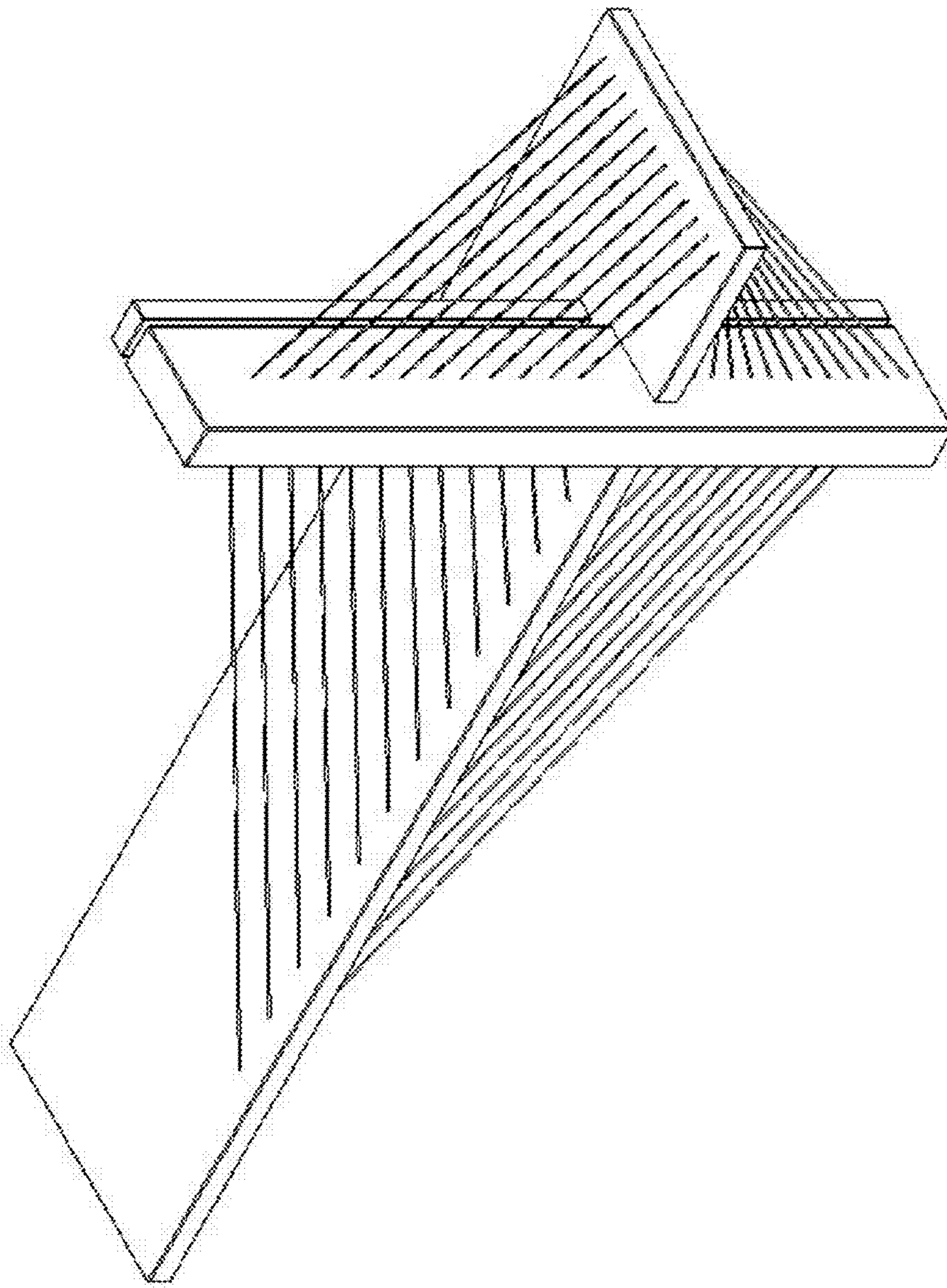


FIG. 8