



US00D718071S

(12) **United States Design Patent**  
**Snider**

(10) **Patent No.:** **US D718,071 S**  
(45) **Date of Patent:** **\*\* Nov. 25, 2014**

(54) **THREE TIER SHOWER CADDY WITH  
RECTANGULAR SHELVES**

(71) Applicant: **MSA Products, Inc.**, Nyack, NY (US)

(72) Inventor: **Martin Snider**, New City, NY (US)

(73) Assignee: **MSA Products, Inc.**, Nyack, NY (US)

(\*\*) Term: **14 Years**

(21) Appl. No.: **29/478,970**

(22) Filed: **Jan. 10, 2014**

(51) **LOC (10) Cl.** ..... **23-02**

(52) **U.S. Cl.**  
USPC ..... **D6/525**

(58) **Field of Classification Search**  
USPC ..... D6/524, 525, 566, 536, 540; 211/13.1,  
211/74, 71.01, 86.01, 75, 88.01, 90.01,  
211/90.03, 106, 126.1, 119, 181.1, 133.5,  
211/134

See application file for complete search history.

(56) **References Cited**

U.S. PATENT DOCUMENTS

D572,062 S *	7/2008	Snider	.....	D6/525
D641,191 S *	7/2011	Walker	.....	D6/525
D694,548 S *	12/2013	Snell	.....	D6/525
D698,576 S *	2/2014	Tawil	.....	D6/525

\* cited by examiner

*Primary Examiner* — Brian N Vinson

(74) *Attorney, Agent, or Firm* — Gerald E. Hespos; Michael J. Porco; Matthew T. Hespos

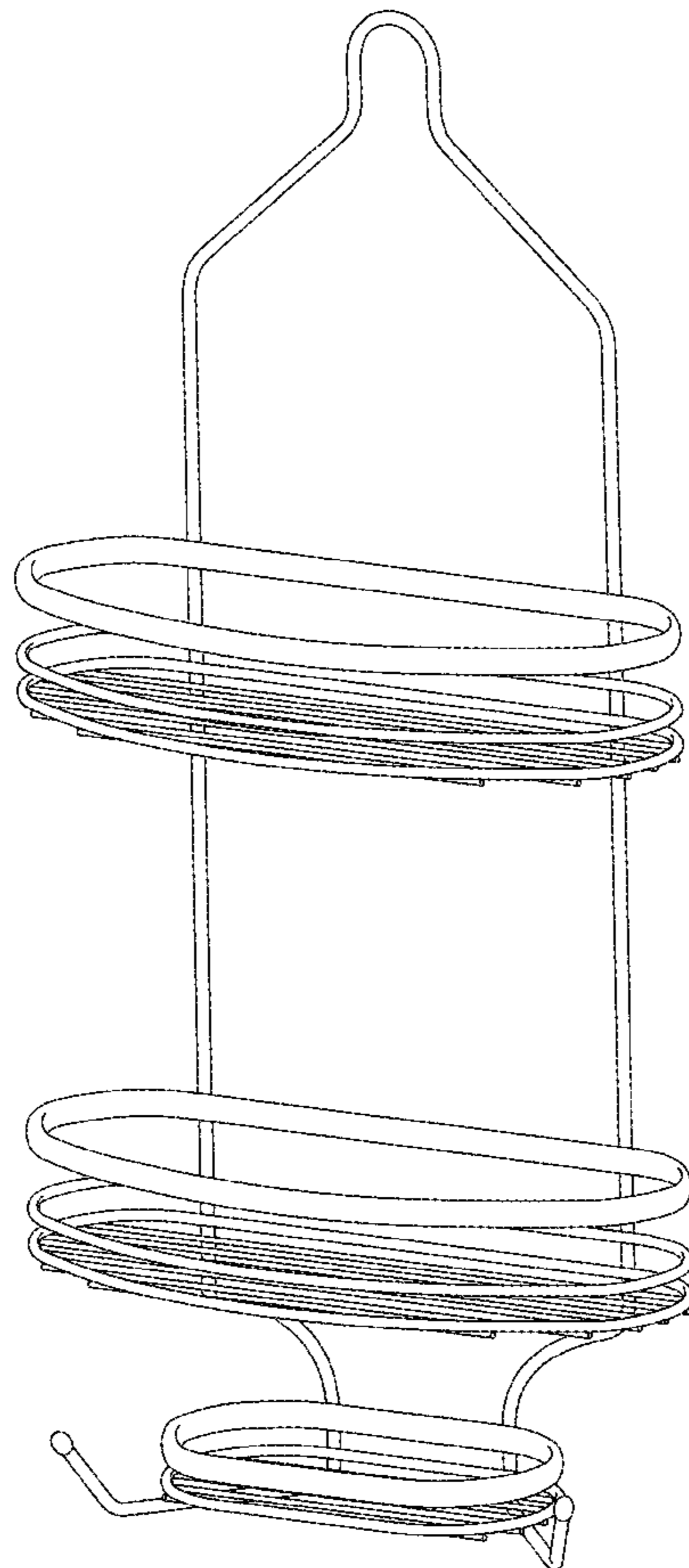
(57) **CLAIM**

The ornamental design of a three tier shower caddy with rectangular shelves, as shown and described.

**DESCRIPTION**

FIG. 1 is a perspective view of a three tier shower caddy with rectangular shelves in accordance with my design.  
FIG. 2 is a top plan view thereof;  
FIG. 3 is a front elevational view thereof;  
FIG. 4 is a side elevational view viewed from the left side in FIG. 1, with the right side elevational view being a mirror image thereof;  
FIG. 5 is a rear elevational view; and,  
FIG. 6 is a bottom plan view.

**1 Claim, 5 Drawing Sheets**



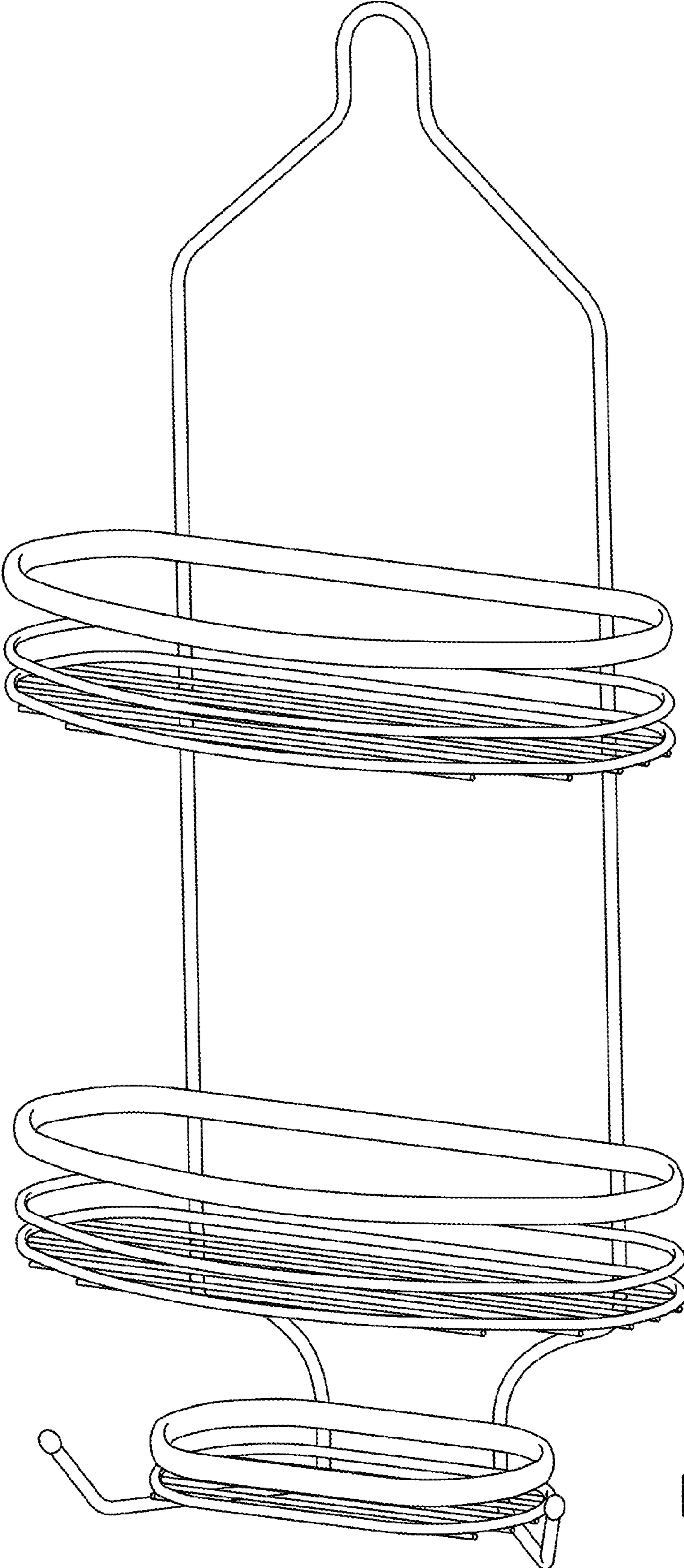


FIG. 1

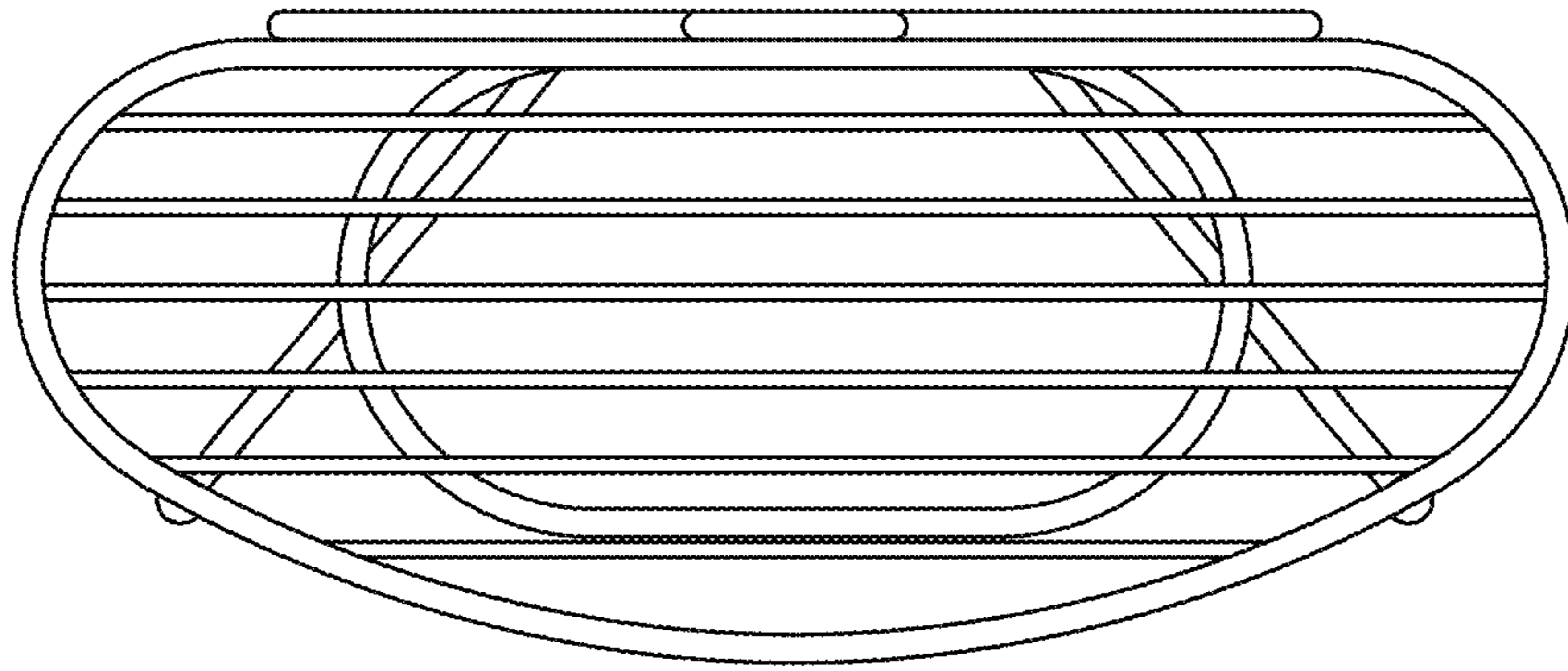


FIG. 2

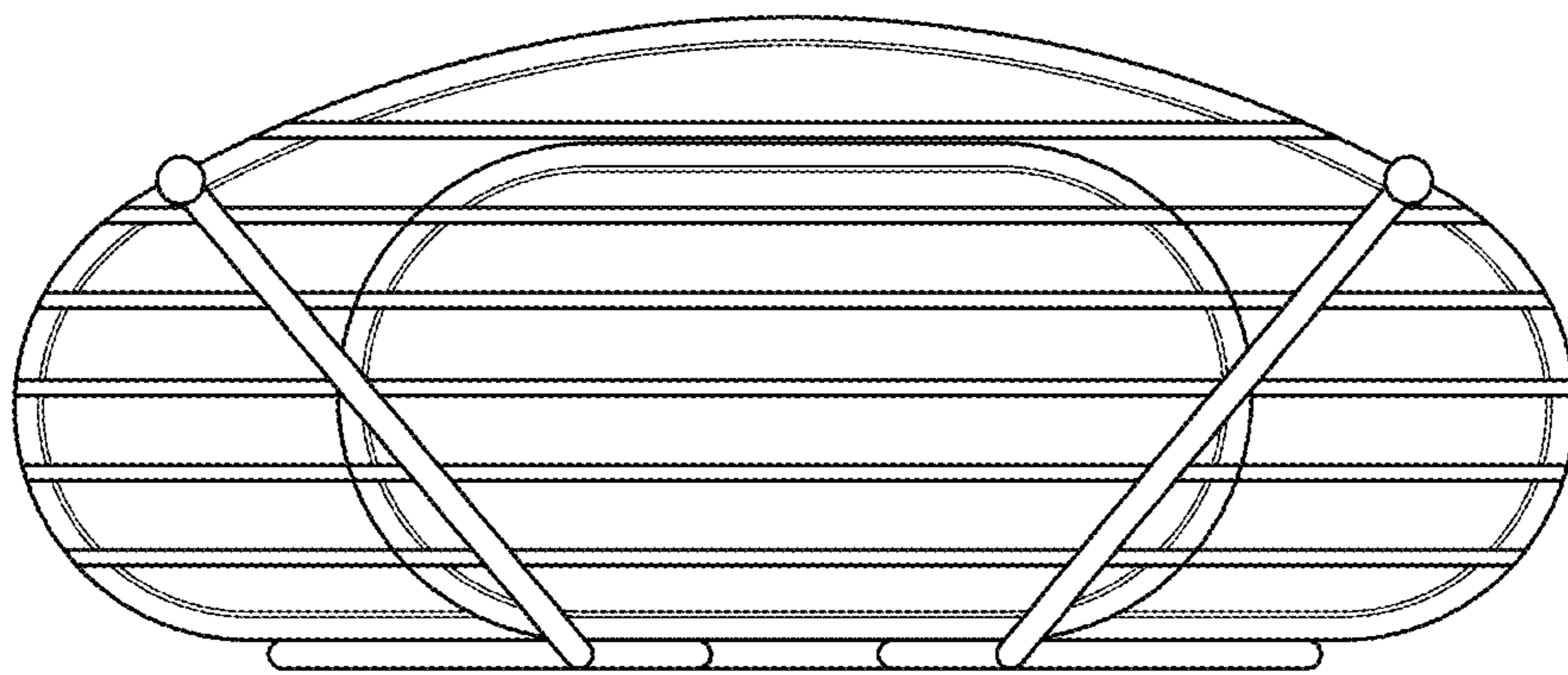


FIG. 6

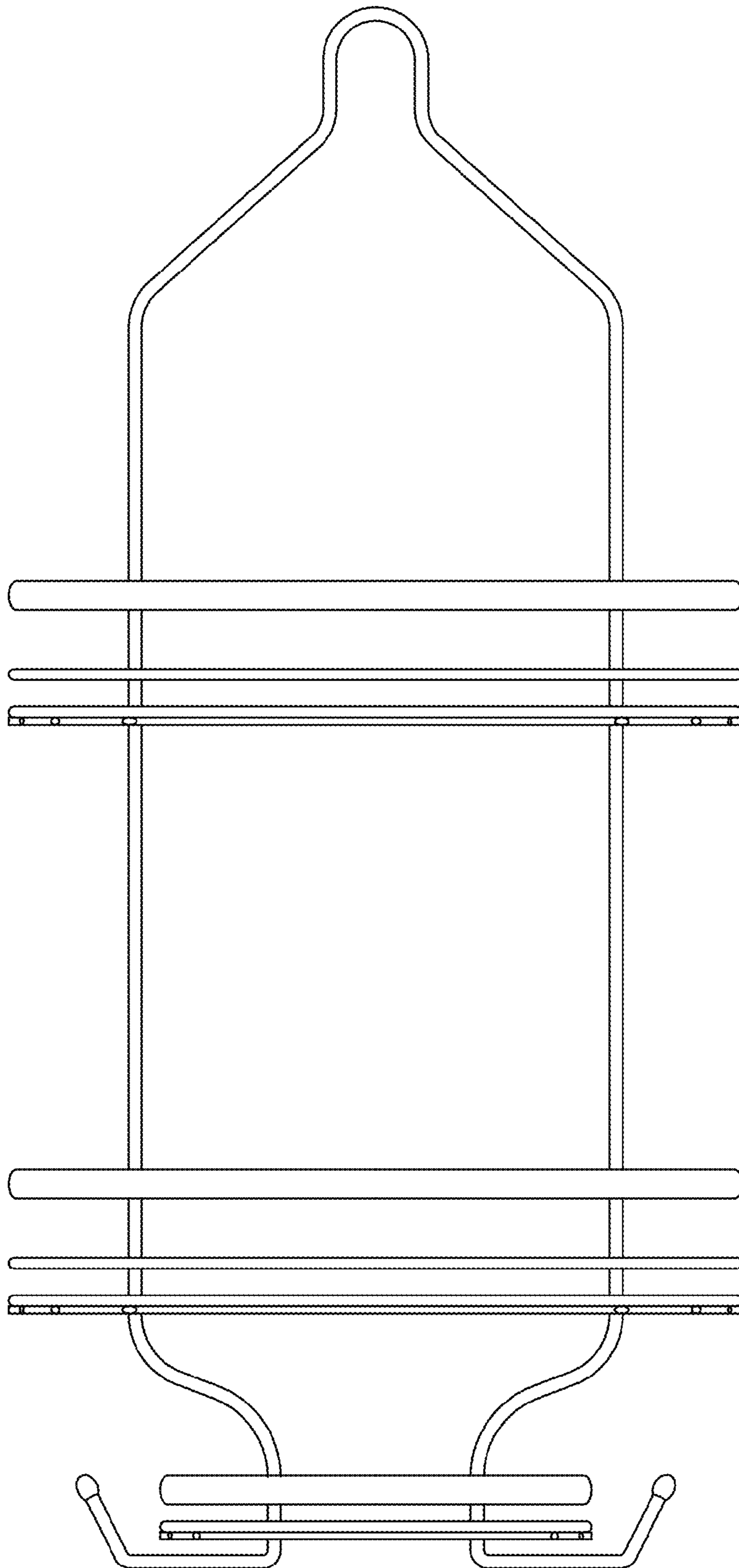


FIG.3

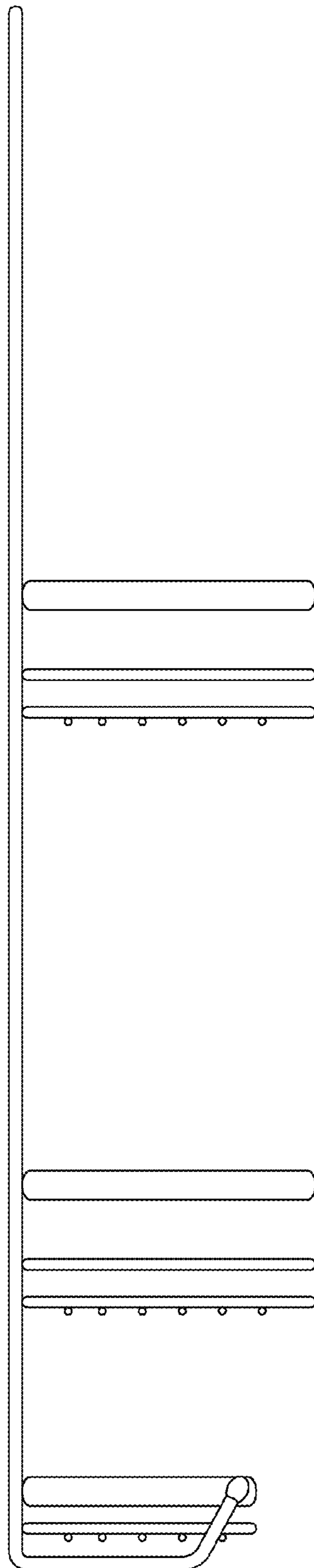


FIG.4

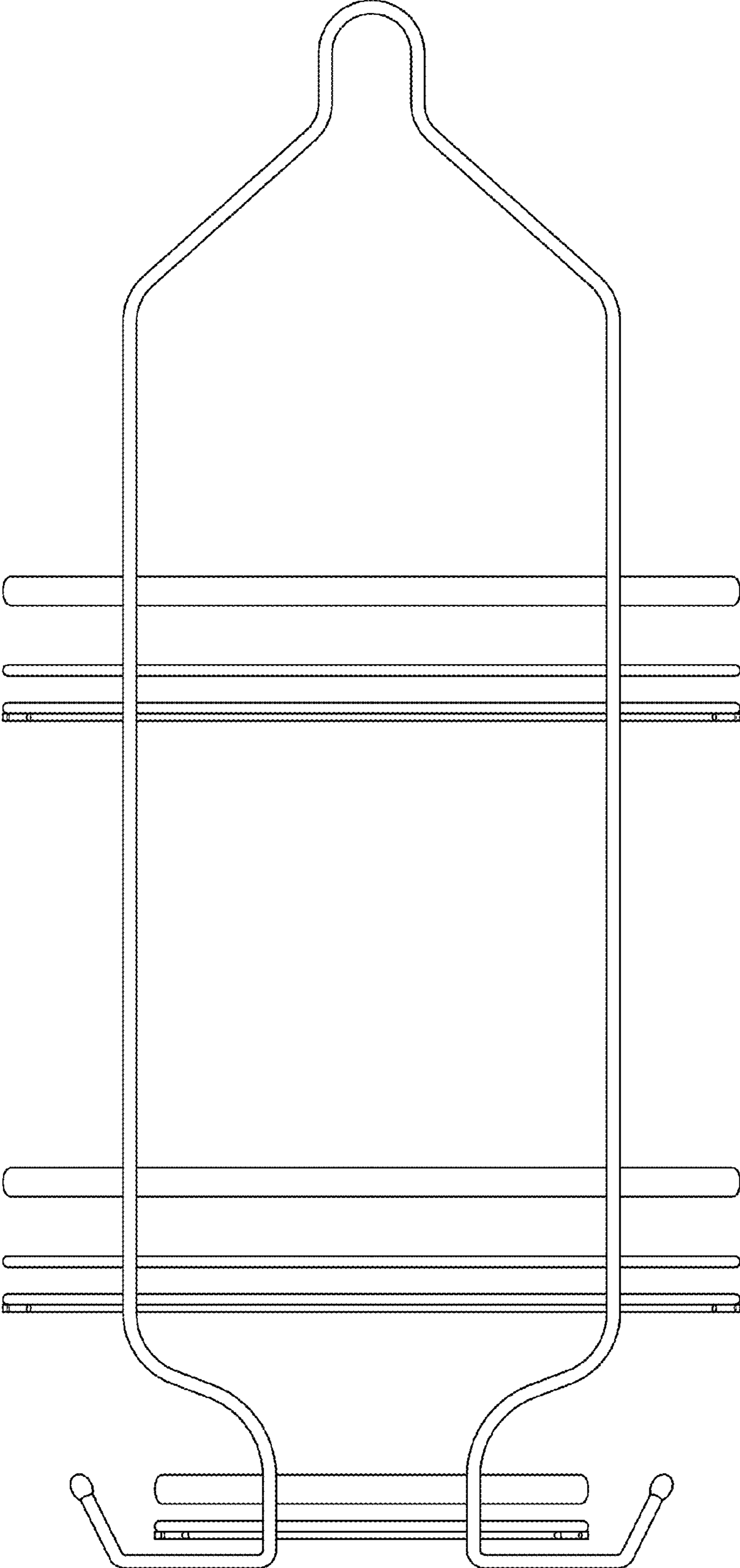


FIG.5