



US00D718069S

(12) **United States Design Patent**
Marion et al.

(10) **Patent No.:** **US D718,069 S**

(45) **Date of Patent:** **** Nov. 25, 2014**

(54) **SOFA**

(71) Applicant: **Gus Design Group Inc.**, Toronto (CA)

(72) Inventors: **Nicole Marion**, Toronto (CA); **David Podsiadlo**, Toronto (CA)

(73) Assignee: **Gus Design Group Inc.**, Toronto (CA)

(**) Term: **14 Years**

(21) Appl. No.: **29/484,565**

(22) Filed: **Mar. 11, 2014**

(30) **Foreign Application Priority Data**

Nov. 13, 2013 (CA) 153841

(51) **LOC (10) Cl.** **06-01**

(52) **U.S. Cl.**
USPC **D6/381**

(58) **Field of Classification Search**
CPC A47C 17/00; A47C 17/02; A47C 17/12;
A47C 17/18; A47C 7/021; A47C 31/00;
A47C 3/16

USPC D6/334, 335, 336, 379, 381, 369;
297/94, 118, 232, 445.1, 448.1, DIG. 7

See application file for complete search history.

(56) **References Cited**

U.S. PATENT DOCUMENTS

D575,545 S * 8/2008 Weiss D6/381
D583,585 S * 12/2008 Weiss D6/381
D591,073 S * 4/2009 Natuzzi D6/381
RE43,754 E * 10/2012 Andersen D6/381

* cited by examiner

Primary Examiner — Sandra Snapp

(74) *Attorney, Agent, or Firm* — Carter, DeLuca, Farrell & Schmidt, LLP

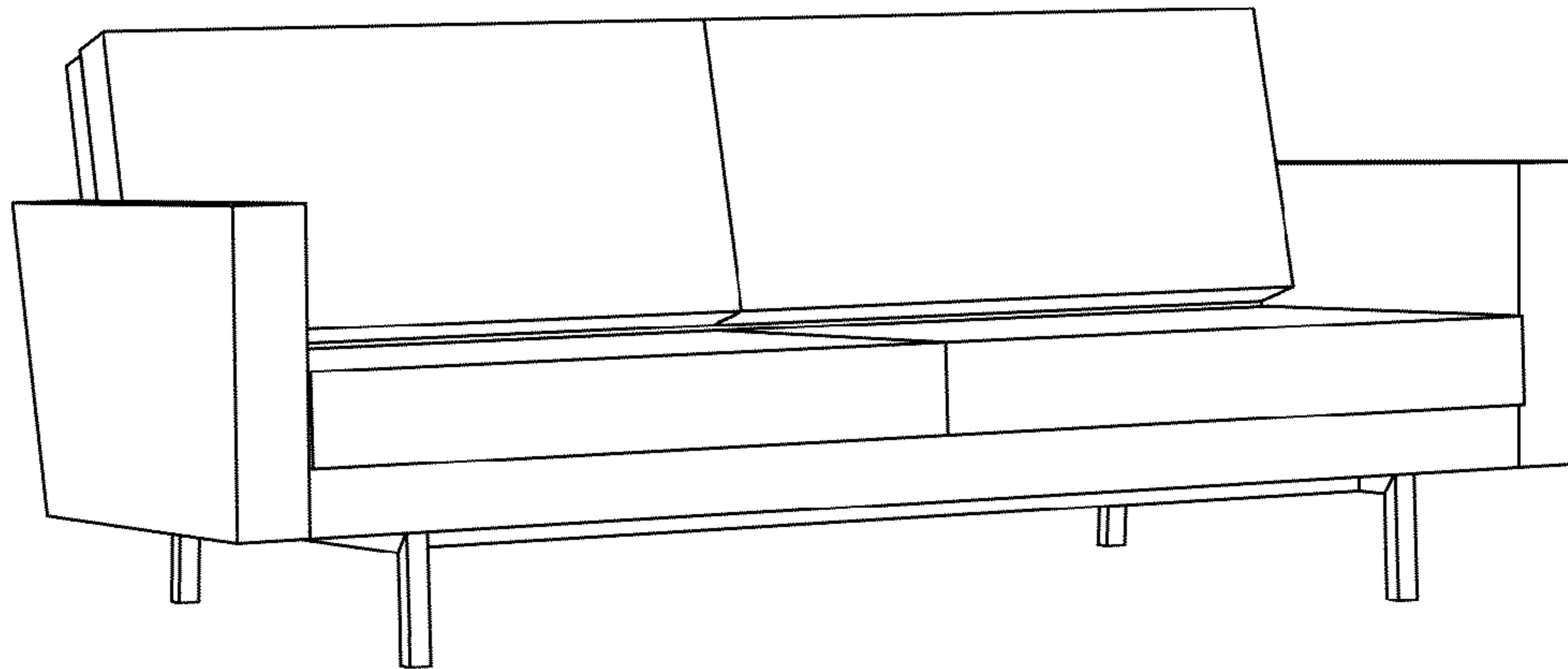
(57) **CLAIM**

The ornamental design for a sofa, as shown and described.

DESCRIPTION

FIG. 1 is a front side perspective view of a sofa in accordance with the present design;
FIG. 2 is a rear side perspective view thereof;
FIG. 3 is a right side elevational view thereof, the left side elevational view being a mirror image thereof;
FIG. 4 is a front elevational view thereof;
FIG. 5 is a rear elevational view thereof;
FIG. 6 is a top plan view thereof; and,
FIG. 7 is a bottom plan view thereof.

1 Claim, 4 Drawing Sheets



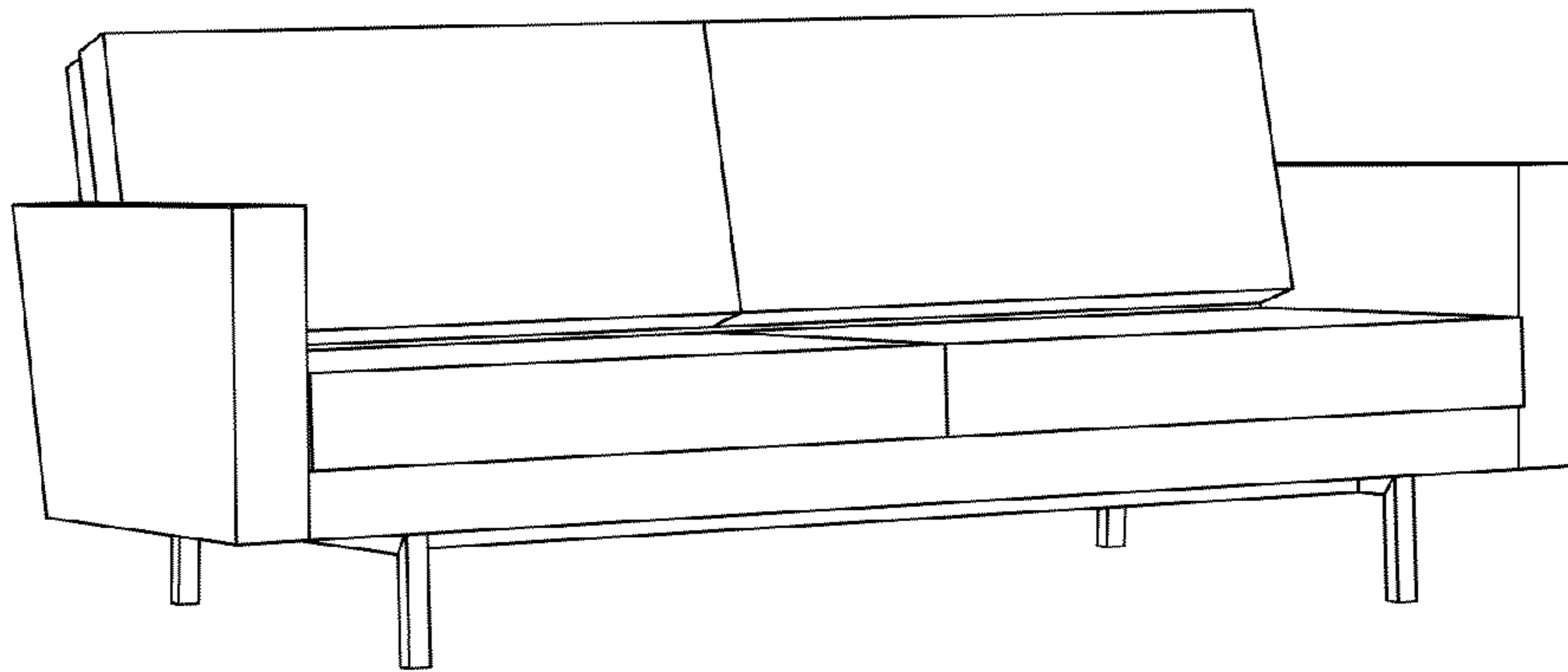


FIG. 1

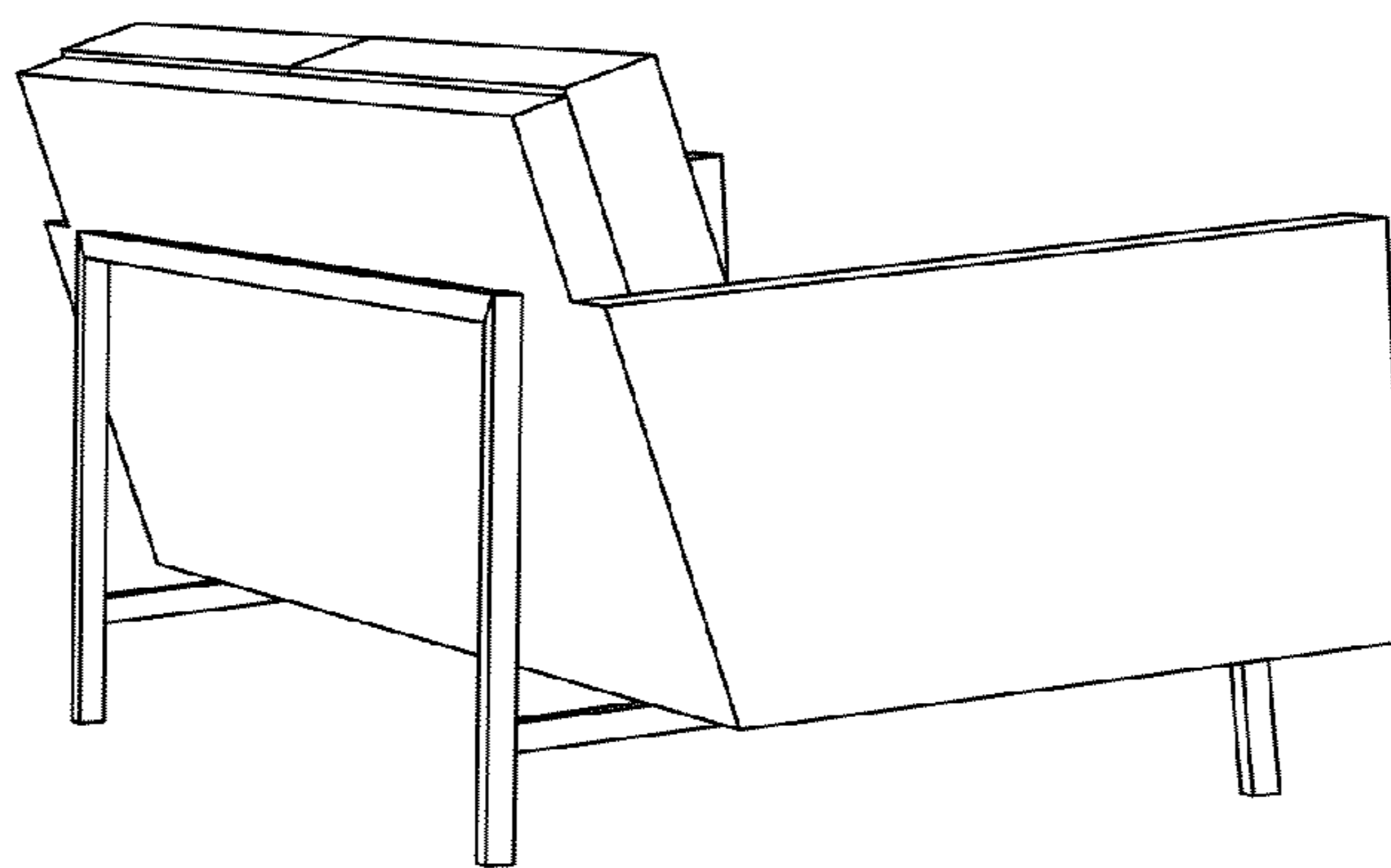


FIG. 2

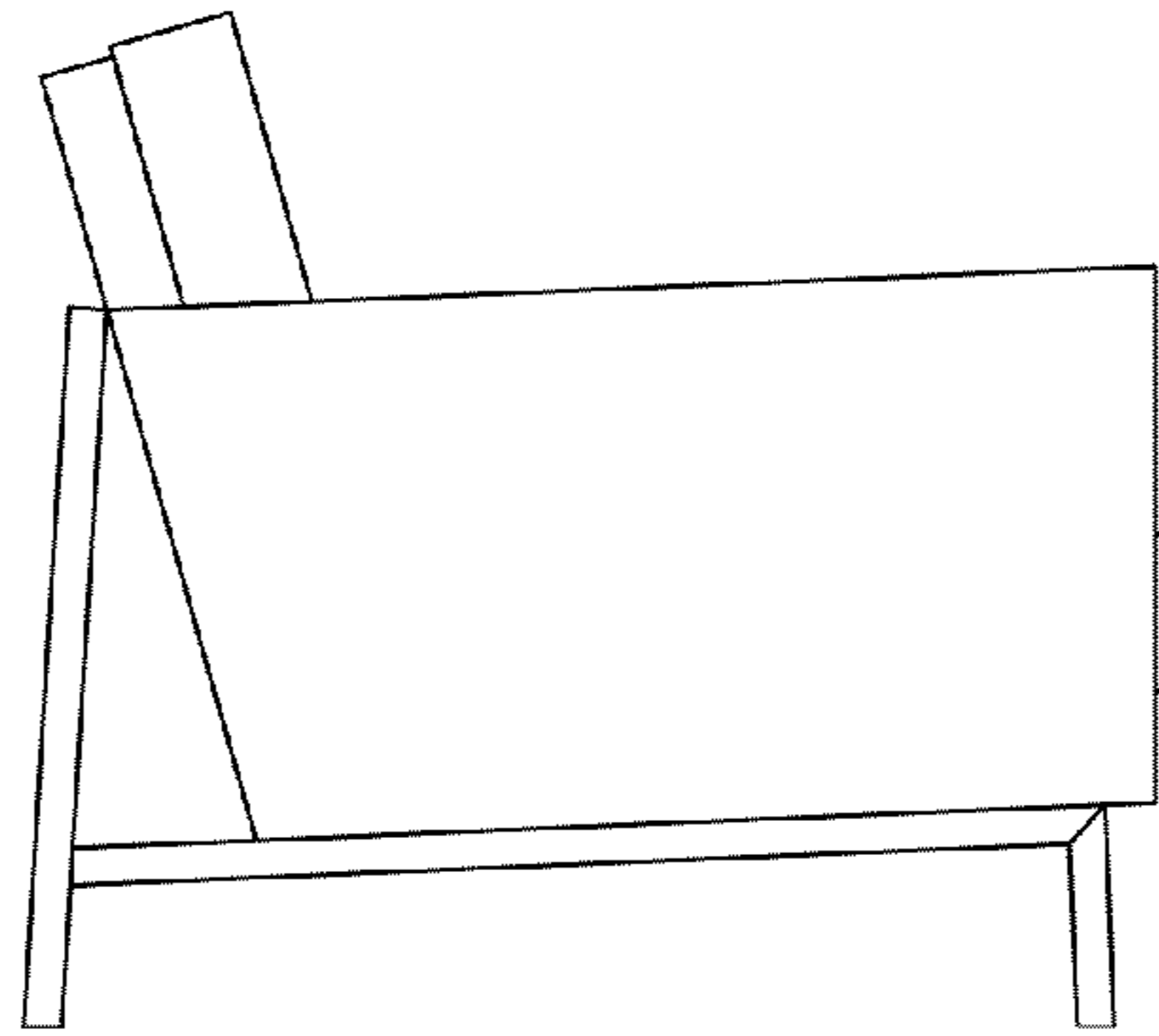


FIG. 3

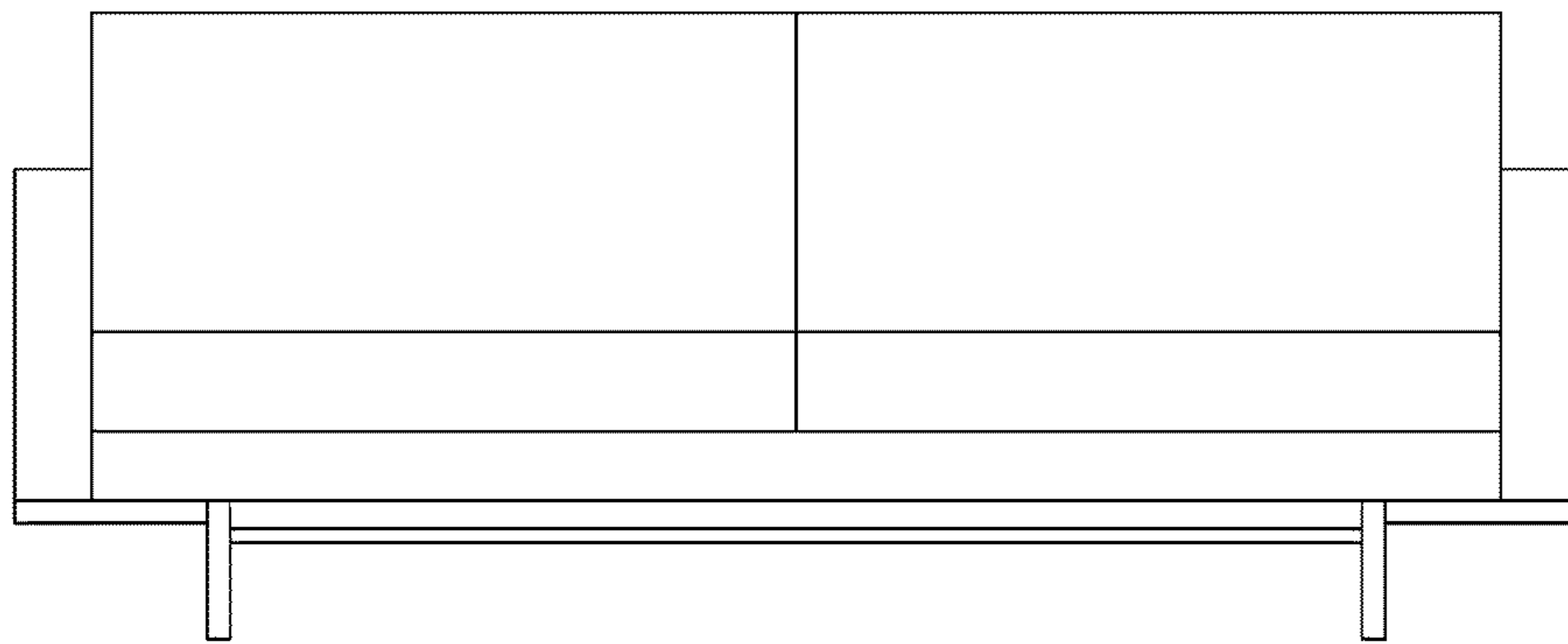


FIG. 4

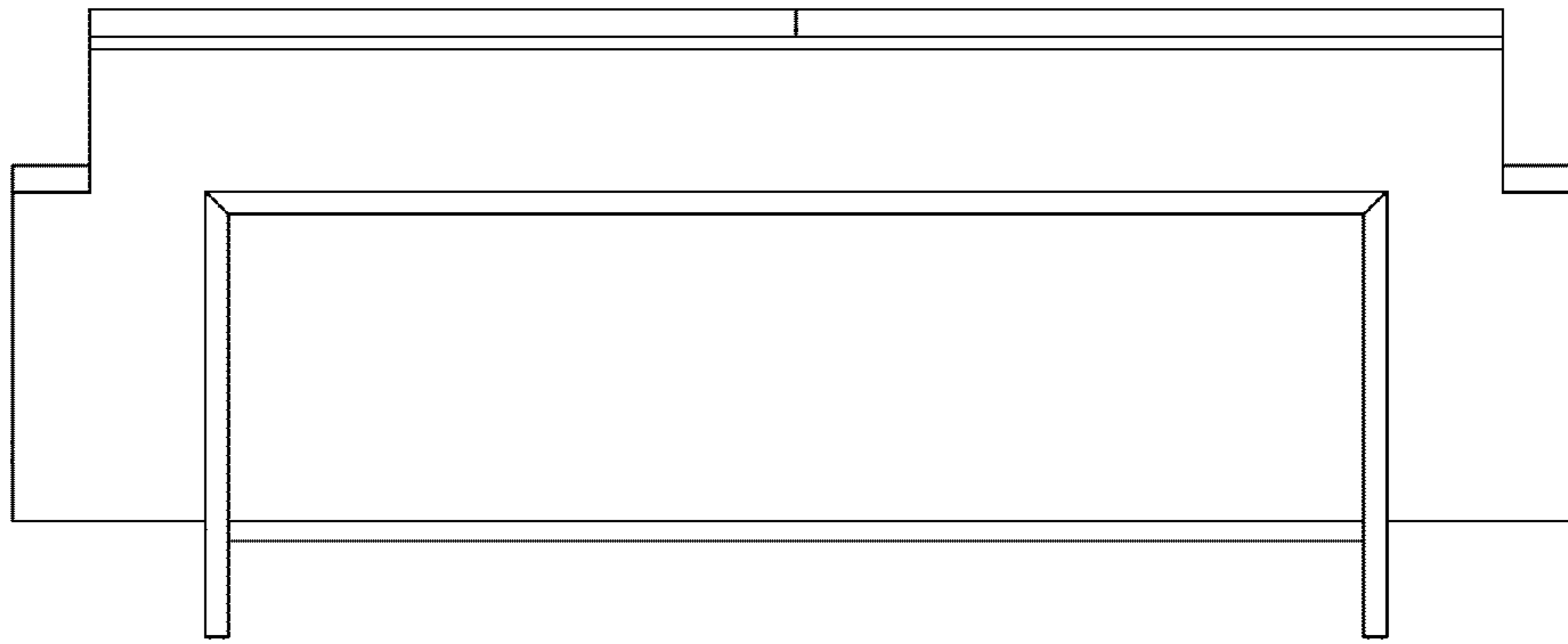


FIG. 5

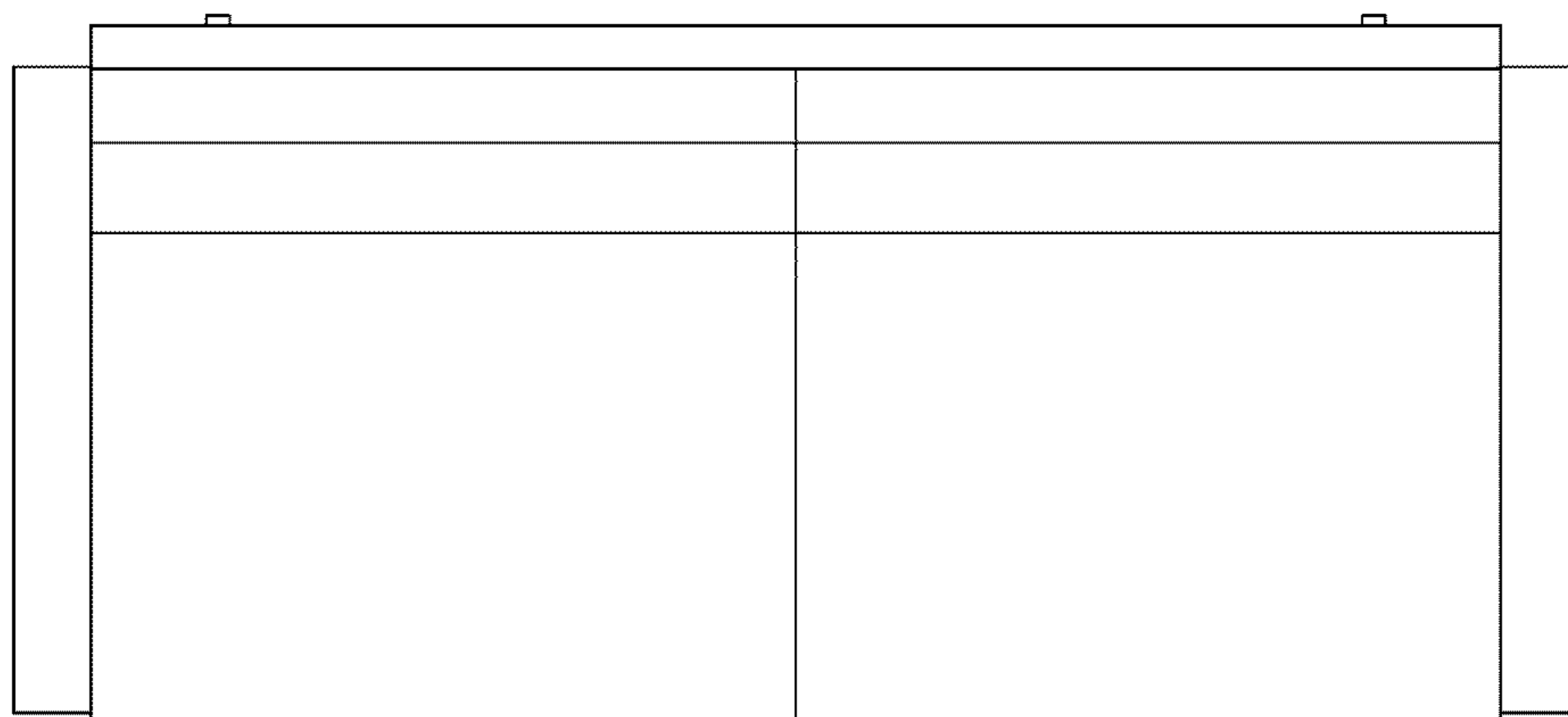


FIG. 6

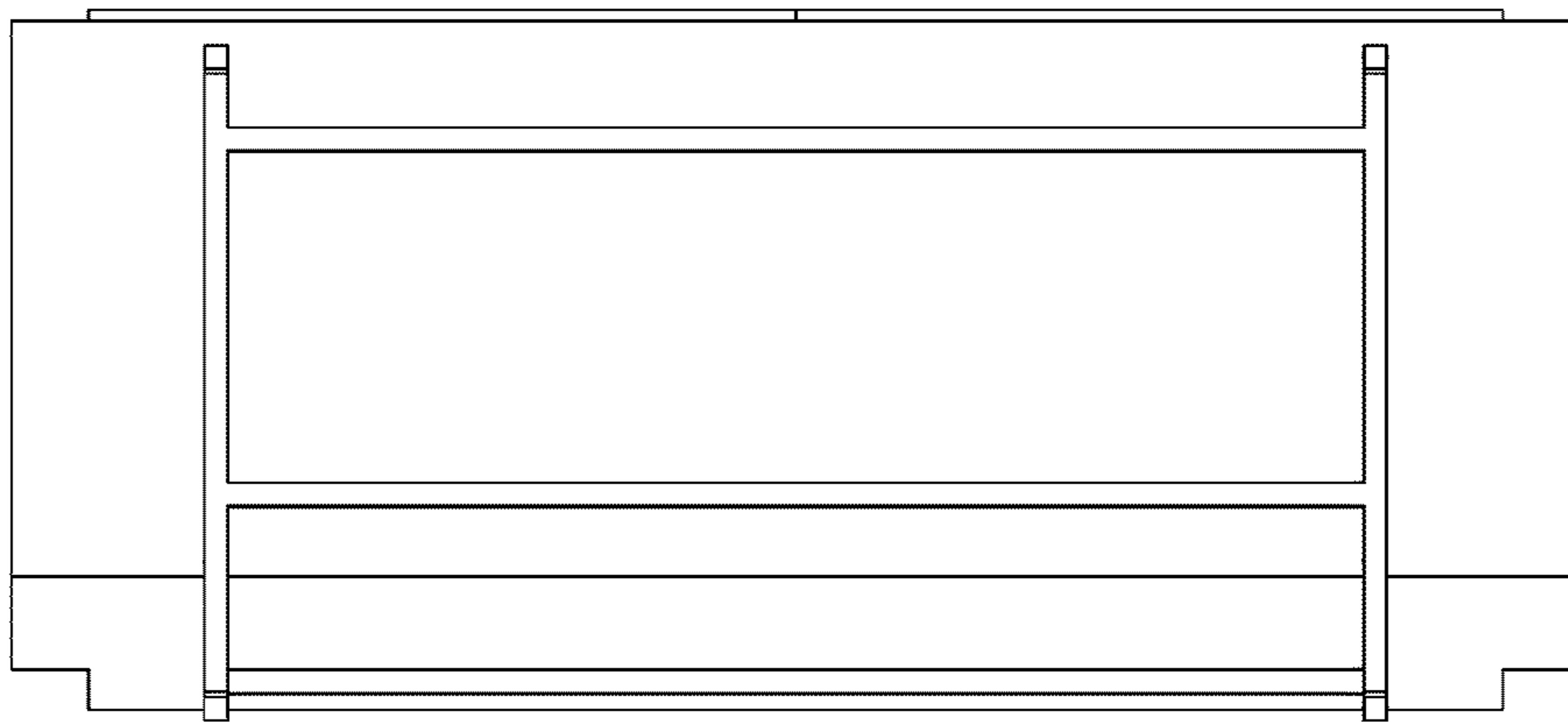


FIG. 7