



US00D718066S

(12) **United States Design Patent**
Baxter et al.

(10) **Patent No.:** **US D718,066 S**
(45) **Date of Patent:** **** Nov. 25, 2014**

(54) **ERGONOMIC CHAIR**

(71) Applicant: **Manufacturas Muñoz S.A.S.—MUMA S.A.S.**, Medellin, CO (US)

(72) Inventors: **Anthony Baxter**, New York, NY (US);
Alberto Mantilla, New York, NY (US);
Nicolas Ochoa, New York, NY (US)

(73) Assignee: **Manufacturas Munoz S.A.S.—Muma S.A.S.** (CO)

(**) Term: **14 Years**

(21) Appl. No.: **29/462,265**

(22) Filed: **Aug. 1, 2013**

(51) **LOC (10) Cl.** **06-01**

(52) **U.S. Cl.**
USPC **D6/366**

(58) **Field of Classification Search**
USPC D6/334–336, 360–381, 716,
D6/716.1–716.7; 297/396, 397, 284.4,
297/411.28, 452.21, 452.26, 452.29, 452.3,
297/452.32, 452.35, 452.48
See application file for complete search history.

(56) **References Cited**

U.S. PATENT DOCUMENTS

D420,538 S * 2/2000 Arko et al. D6/500
D514,338 S * 2/2006 Bellin D6/366

D546,594 S * 7/2007 Kane et al. D6/500
D550,975 S * 9/2007 Meda D6/366
D567,523 S * 4/2008 Hara D6/366
D568,625 S * 5/2008 Klaasen et al. D6/366
D595,971 S * 7/2009 Ueda D6/366
D654,280 S * 2/2012 Fujita D6/366
D656,329 S * 3/2012 Nakamura et al. D6/366
D666,841 S * 9/2012 Czumaj-Bront et al. D6/366
D688,482 S * 8/2013 Choi D6/366
D688,500 S * 8/2013 Smith et al. D6/716
D698,164 S * 1/2014 Smith et al. D6/366

* cited by examiner

Primary Examiner — Ricky Pham

(74) *Attorney, Agent, or Firm* — Schmeiser, Olsen & Watts, LLP

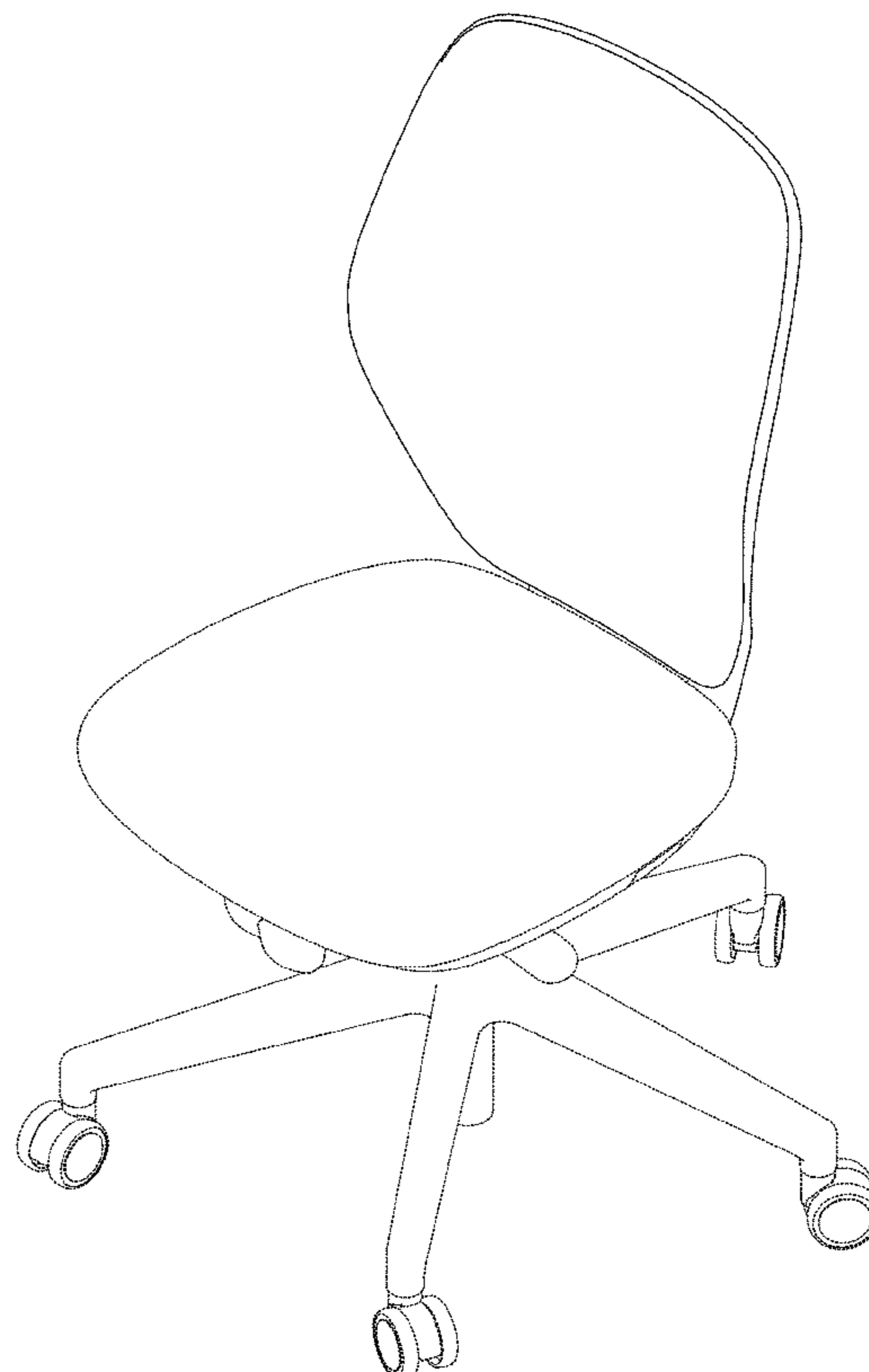
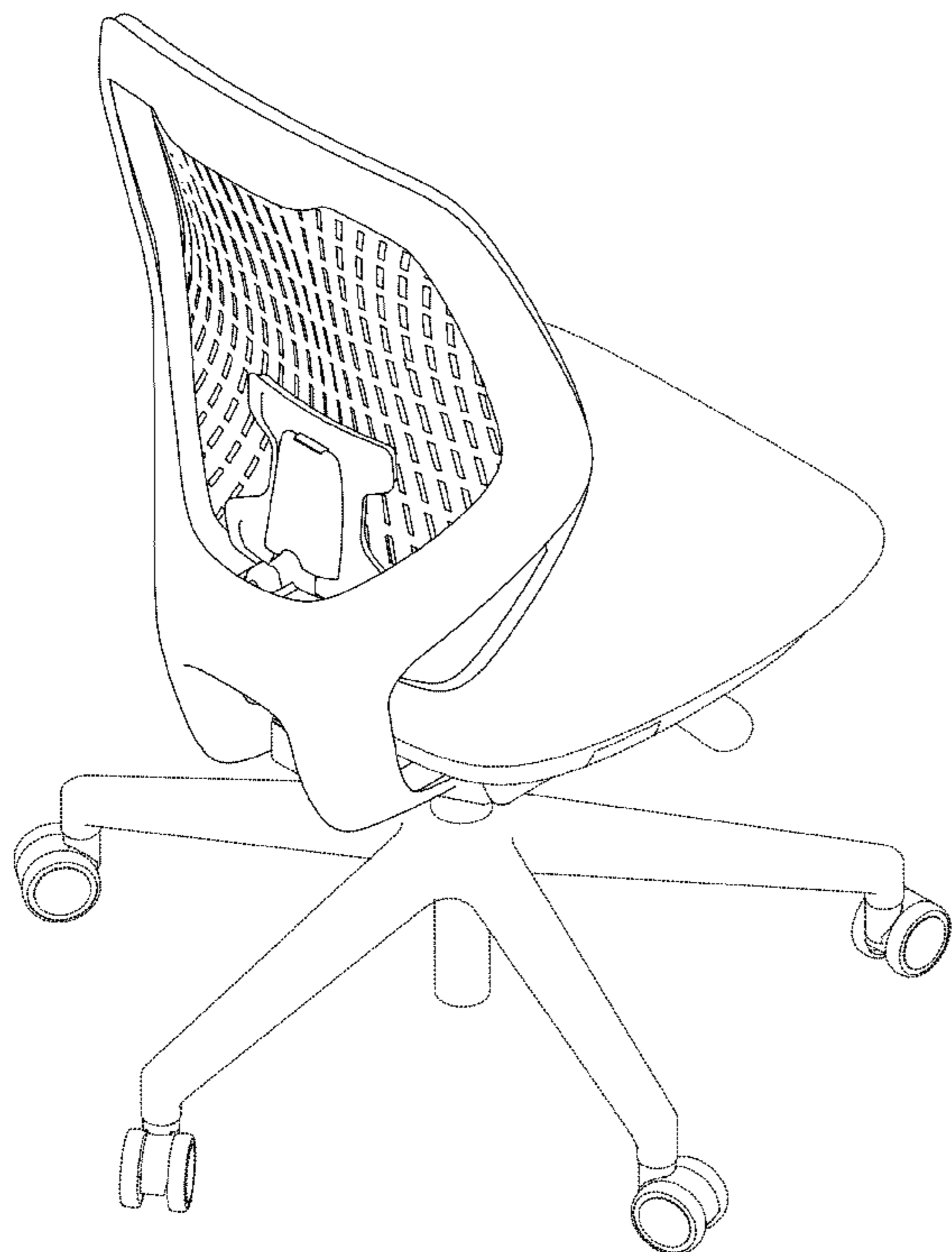
(57) **CLAIM**

The ornamental design for an ergonomic chair, as shown and described.

DESCRIPTION

FIG. 1 is a top view of an ergonomic chair showing our new design;
FIG. 2 is a rear view thereof;
FIG. 3 is a left side view thereof;
FIG. 4 is a right side view thereof;
FIG. 5 is a bottom view thereof;
FIG. 6 is a front view thereof;
FIG. 7 is a rear perspective view thereof; and,
FIG. 8 is a front perspective view thereof.

1 Claim, 8 Drawing Sheets



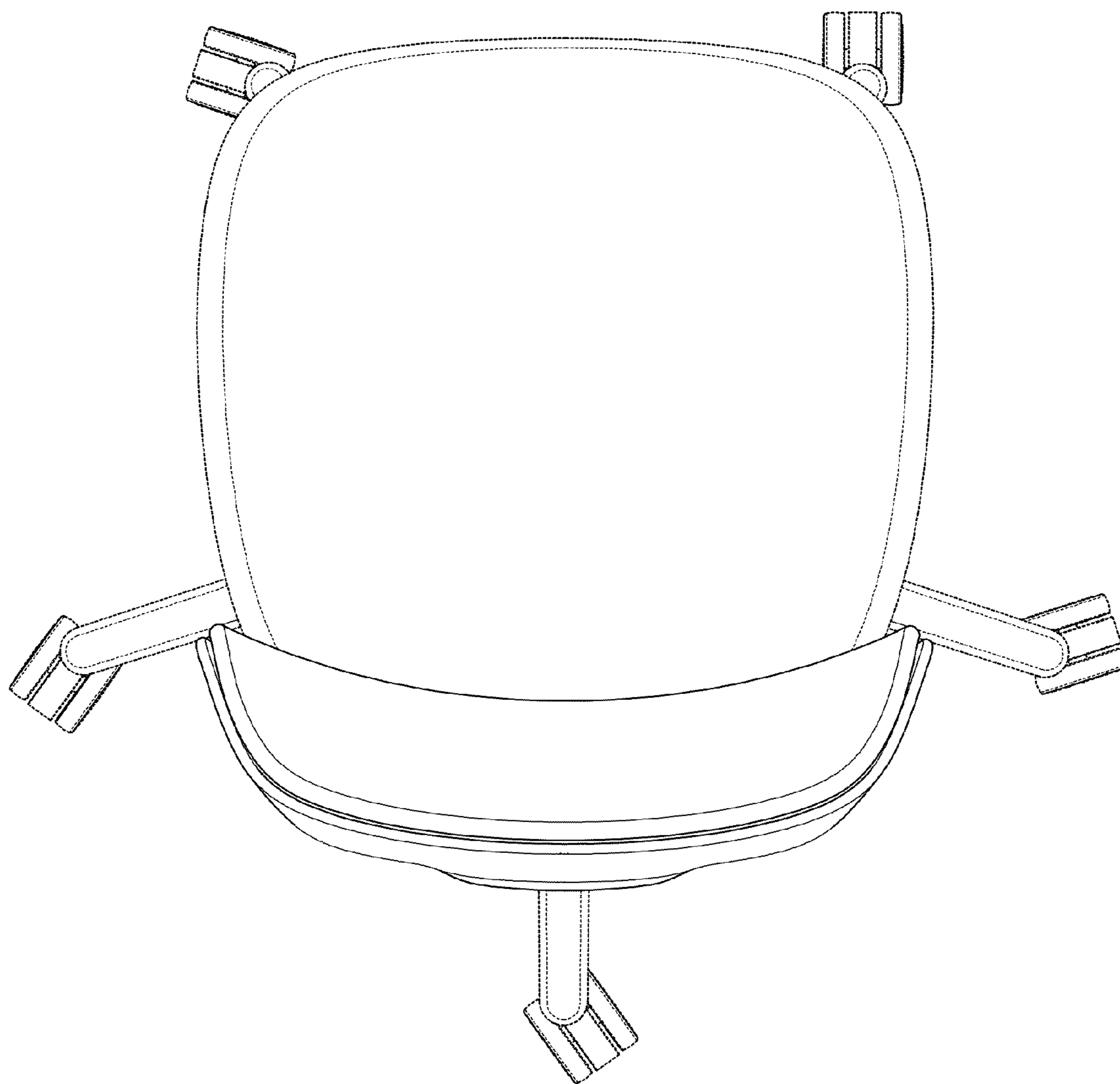


FIG. 1

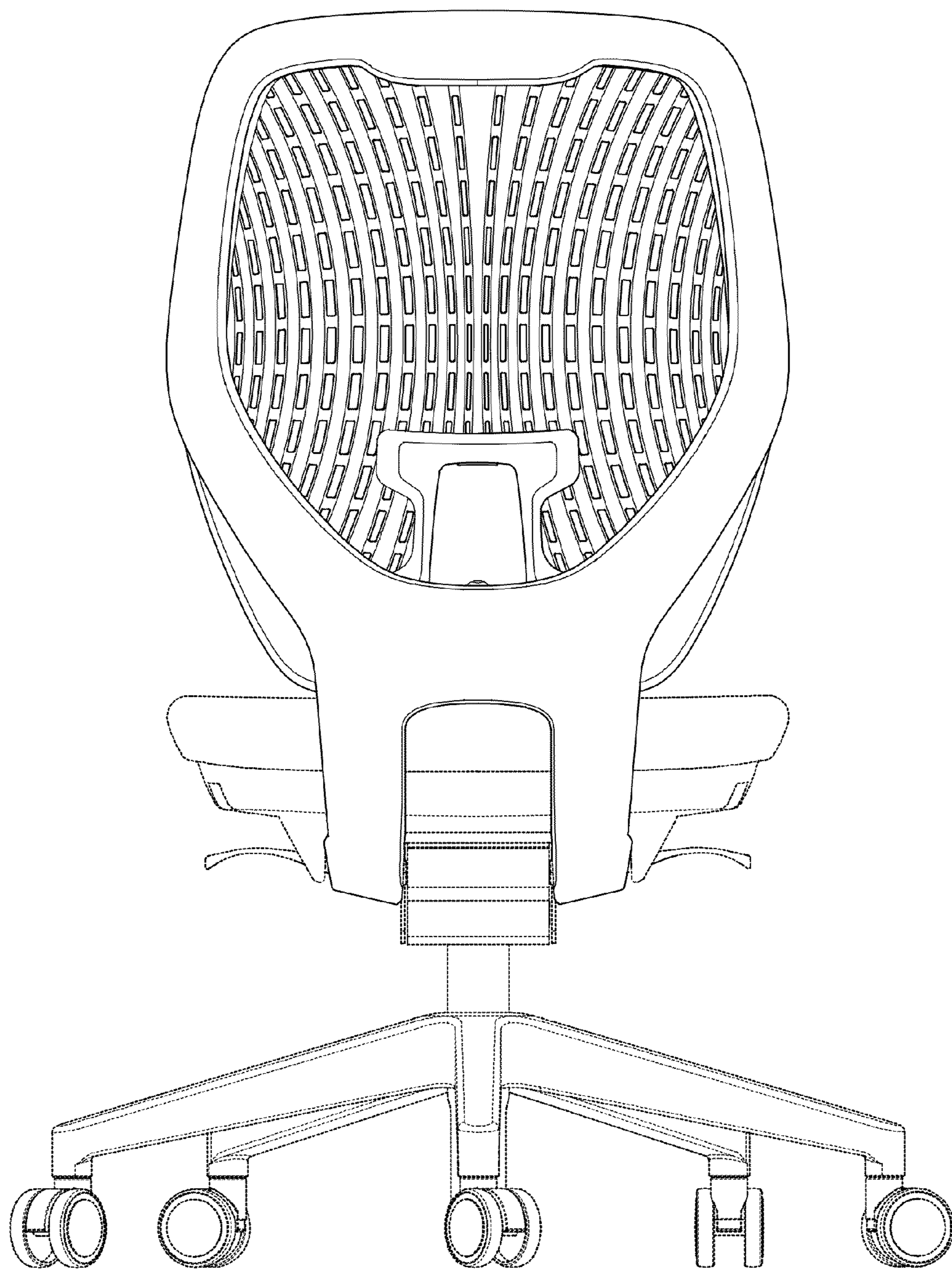


FIG. 2

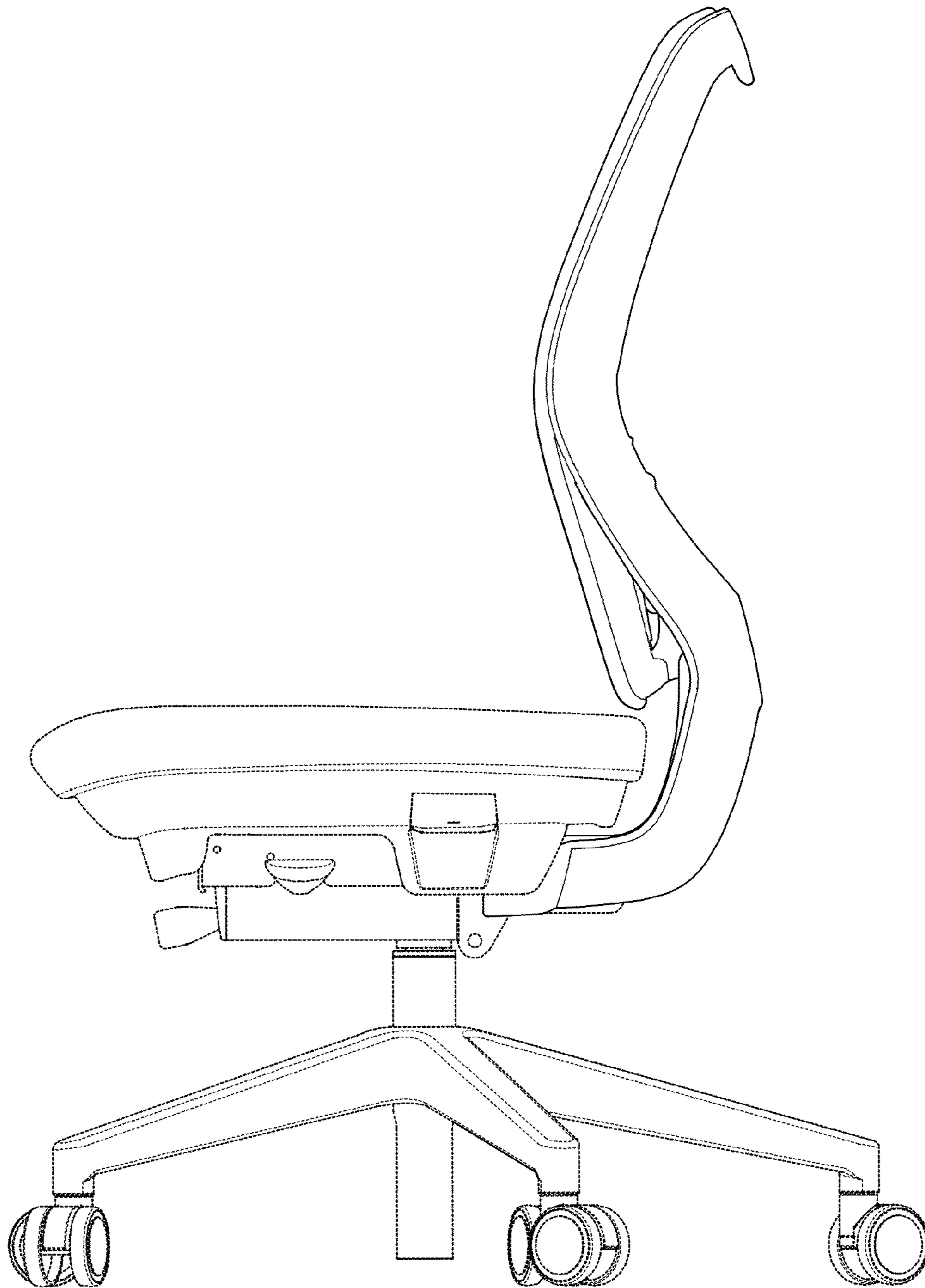


FIG. 3

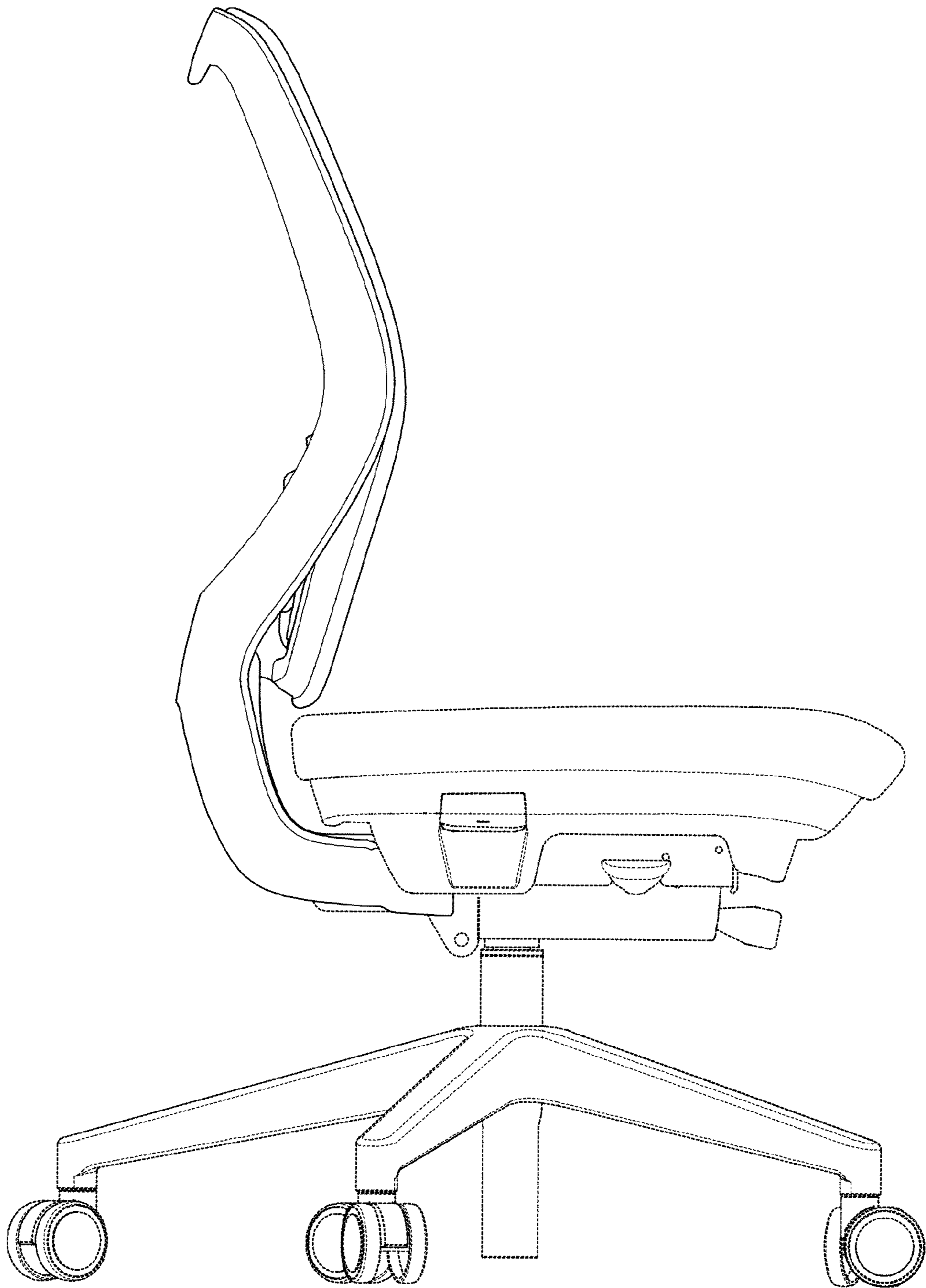


FIG. 4

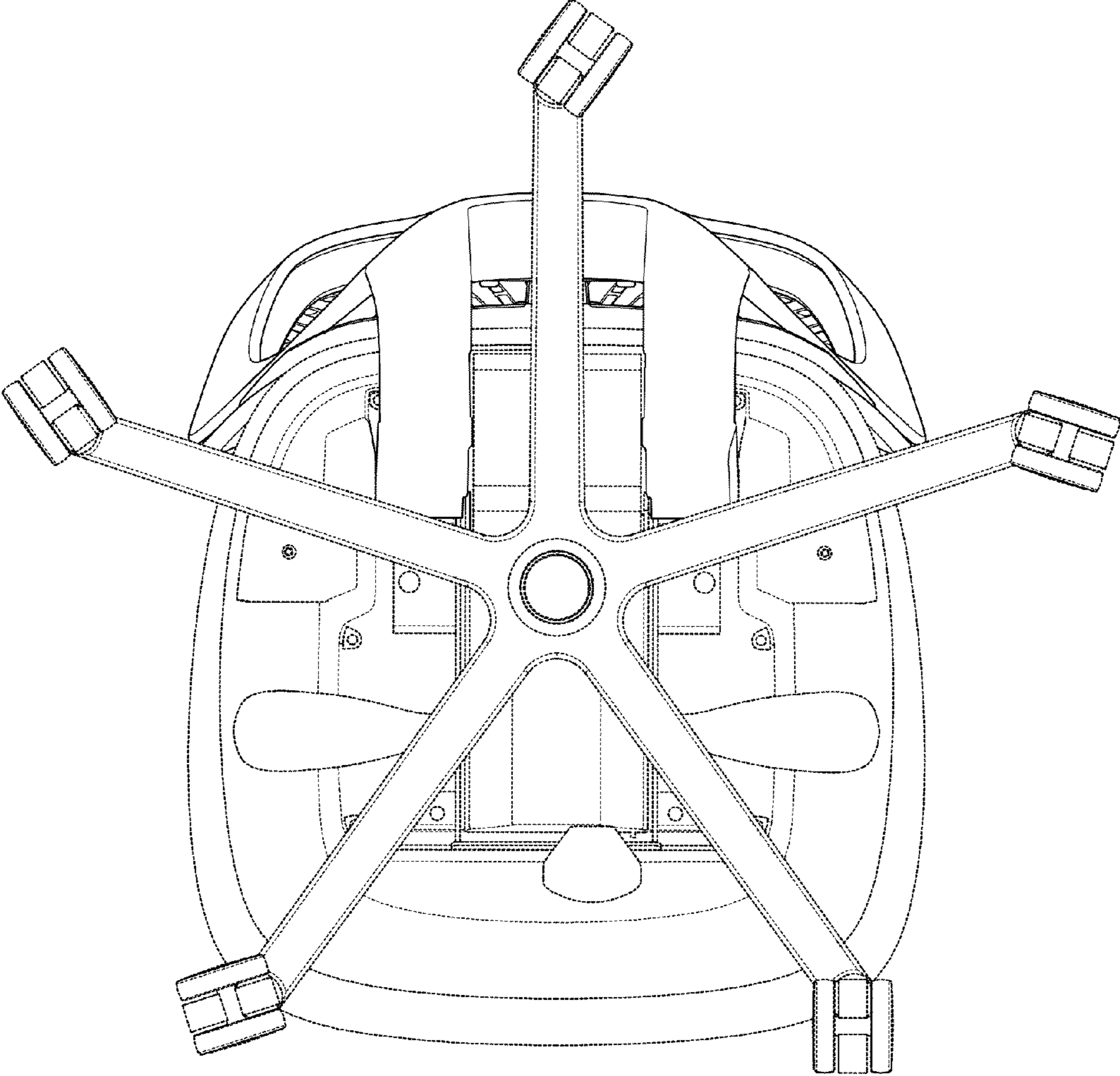


FIG. 5

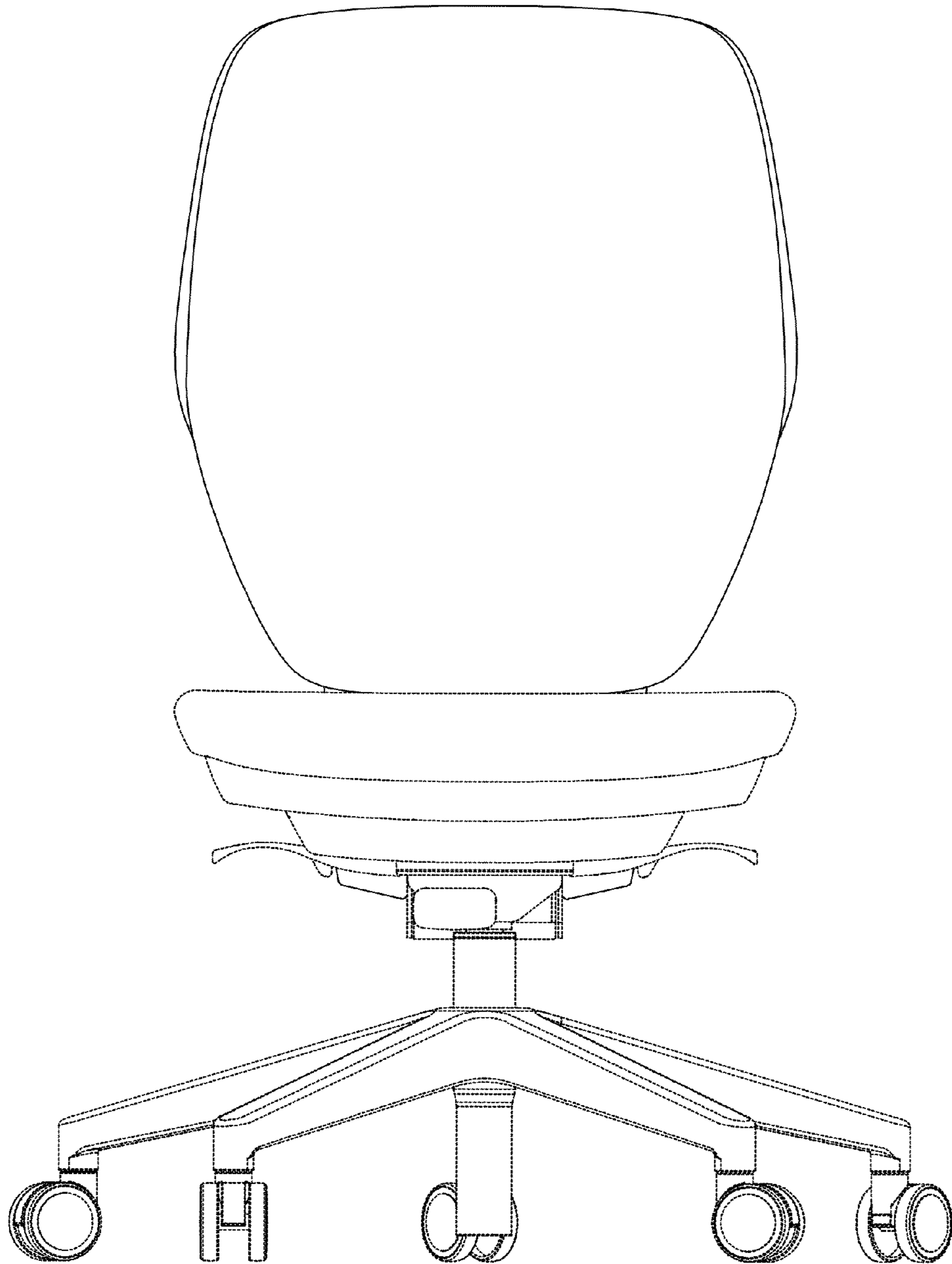


FIG. 6

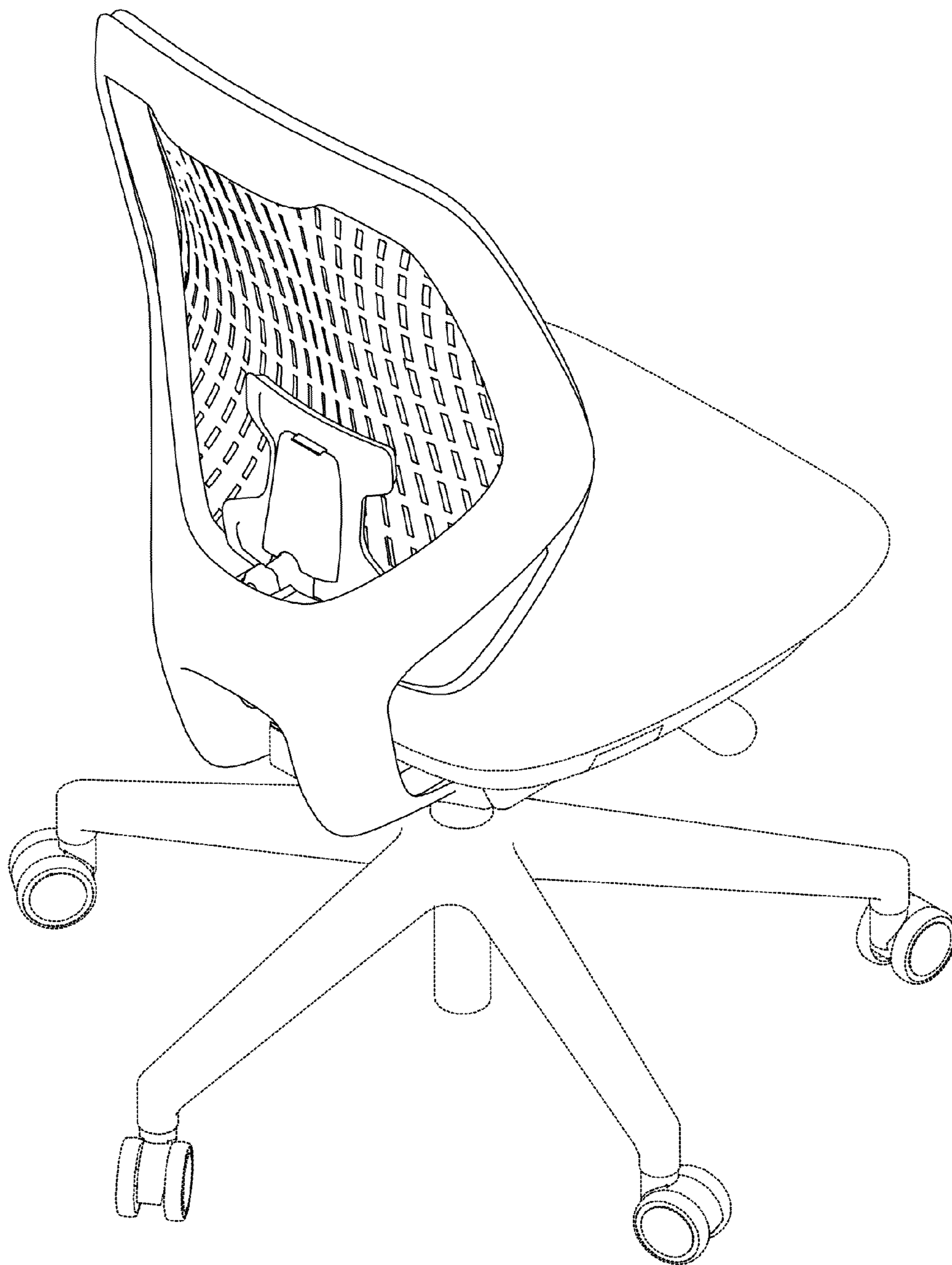


FIG. 7

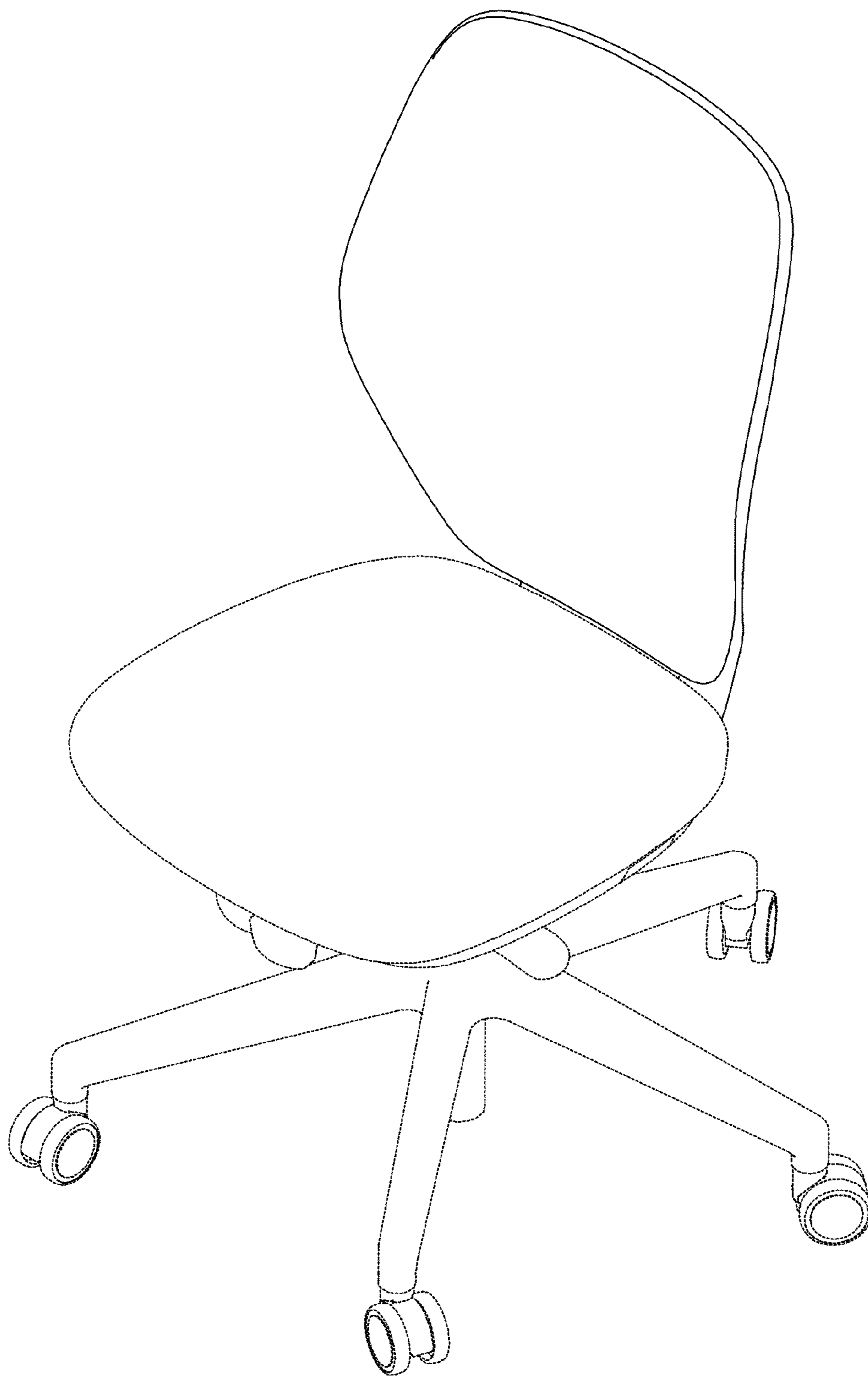


FIG. 8

UNITED STATES PATENT AND TRADEMARK OFFICE
CERTIFICATE OF CORRECTION

PATENT NO. : D718,066 S
APPLICATION NO. : 29/462265
DATED : November 25, 2014
INVENTOR(S) : Baxter et al.

Page 1 of 1

It is certified that error appears in the above-identified patent and that said Letters Patent is hereby corrected as shown below:

On The Title Page, Item (73), Assignee: Delete "Munoz" and insert --Muñoz--

Signed and Sealed this
Nineteenth Day of January, 2016



Michelle K. Lee
Director of the United States Patent and Trademark Office