



US00D718065S

(12) **United States Design Patent**
Gorindin

(10) **Patent No.:** **US D718,065 S**

(45) **Date of Patent:** **** Nov. 25, 2014**

(54) **SEATS FOR MEANS OF TRANSPORT**

(71) Applicant: **Compin, SAS**, Evreux (FR)

(72) Inventor: **Serge Gorindin**, Le Plessis Robinson (FR)

(73) Assignee: **Compin SAS**, Evreux (FR)

(**) Term: **14 Years**

(21) Appl. No.: **29/463,348**

(22) Filed: **Oct. 24, 2013**

(30) **Foreign Application Priority Data**

May 30, 2013 (EM) 002246793

(51) **LOC (10) Cl.** **06-01**

(52) **U.S. Cl.**
USPC **D6/356**

(58) **Field of Classification Search**

USPC D6/333-336, 342-356, 360-381, 388,
D6/403, 491-502, 692, 708, 708.21, 716,
D6/716.2-716.4; 244/118.6, 122 R;
297/188.04, 217.3, 232, 257, 271.6,
297/284.4-284.5, 291, 297, 302.4, 353,
297/344.1, 354.1, 362.13, 396, 411.2,
297/411.27-411.29, 411.43, 423.1, 423.12,
297/440.11, 440.15, 440.21-440.24, 448.1,
297/451.4, 452.13, 452.19, 452.21, 452.27,
297/452.29, 452.3, 452.41, 452.56, 452.64,
297/474

See application file for complete search history.

(56) **References Cited**

U.S. PATENT DOCUMENTS

D253,859 S * 1/1980 Hosoe D6/372
D412,622 S * 8/1999 DeJule D6/371

D440,422 S * 4/2001 DeJule D6/371
D441,210 S * 5/2001 Mitjans D6/368
D441,972 S * 5/2001 Mitjans D6/368
D447,642 S * 9/2001 Kimura D6/368
D448,189 S * 9/2001 Jahn D6/374
D509,672 S * 9/2005 Nemeth et al. D6/368
D532,985 S * 12/2006 Mitjans D6/368
D638,634 S * 5/2011 Figueras Mitjans D6/364
D653,466 S * 2/2012 Figueras Mitjans D6/364
D681,969 S * 5/2013 Mitjans D6/364
D685,201 S * 7/2013 Fentress et al. D6/374

FOREIGN PATENT DOCUMENTS

WO WO 03/099606 A1 12/2003 A47C 7/50

* cited by examiner

Primary Examiner — Ricky Pham

(74) *Attorney, Agent, or Firm* — Kusner & Jaffe

(57) **CLAIM**

The ornamental design for the seats for means of transport, as shown and described.

DESCRIPTION

The patent or application file contains at least one drawing executed in color. Copies of this patent with color drawing(s) will be provided by the Patent and Trademark Office upon request and payment of necessary fee.

FIG. 1 is a front perspective view of seats for means of transport showing a new design;
FIG. 2 is a back perspective view thereof;
FIG. 3 is a front view thereof;
FIG. 4 is a top view thereof;
FIG. 5 is a side view thereof;
FIG. 6 is a back view thereof; and,
FIG. 7 is a bottom view thereof.

1 Claim, 7 Drawing Sheets
(7 of 7 Drawing Sheet(s) Filed in Color)





FIG. 1



FIG. 2

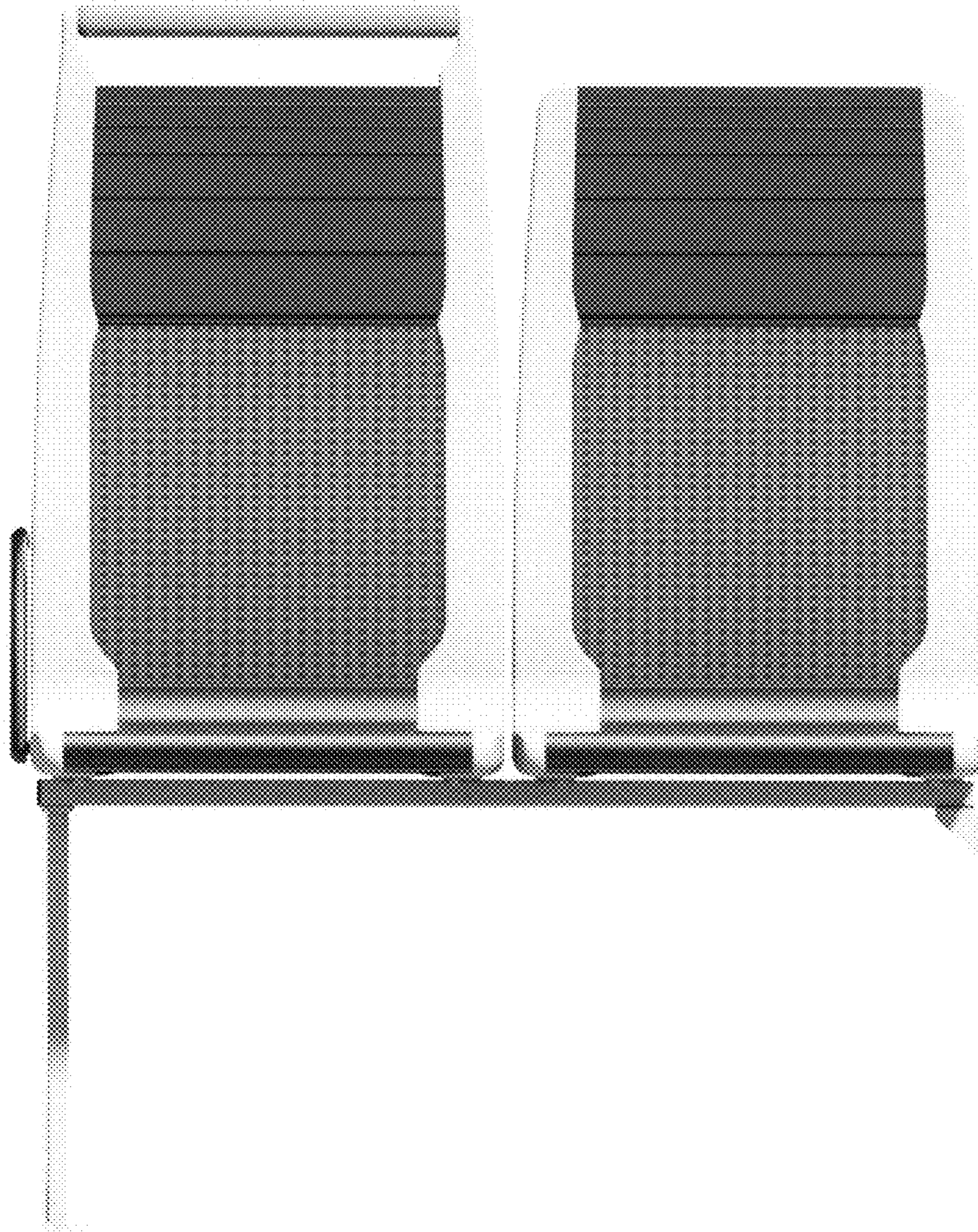


FIG. 3

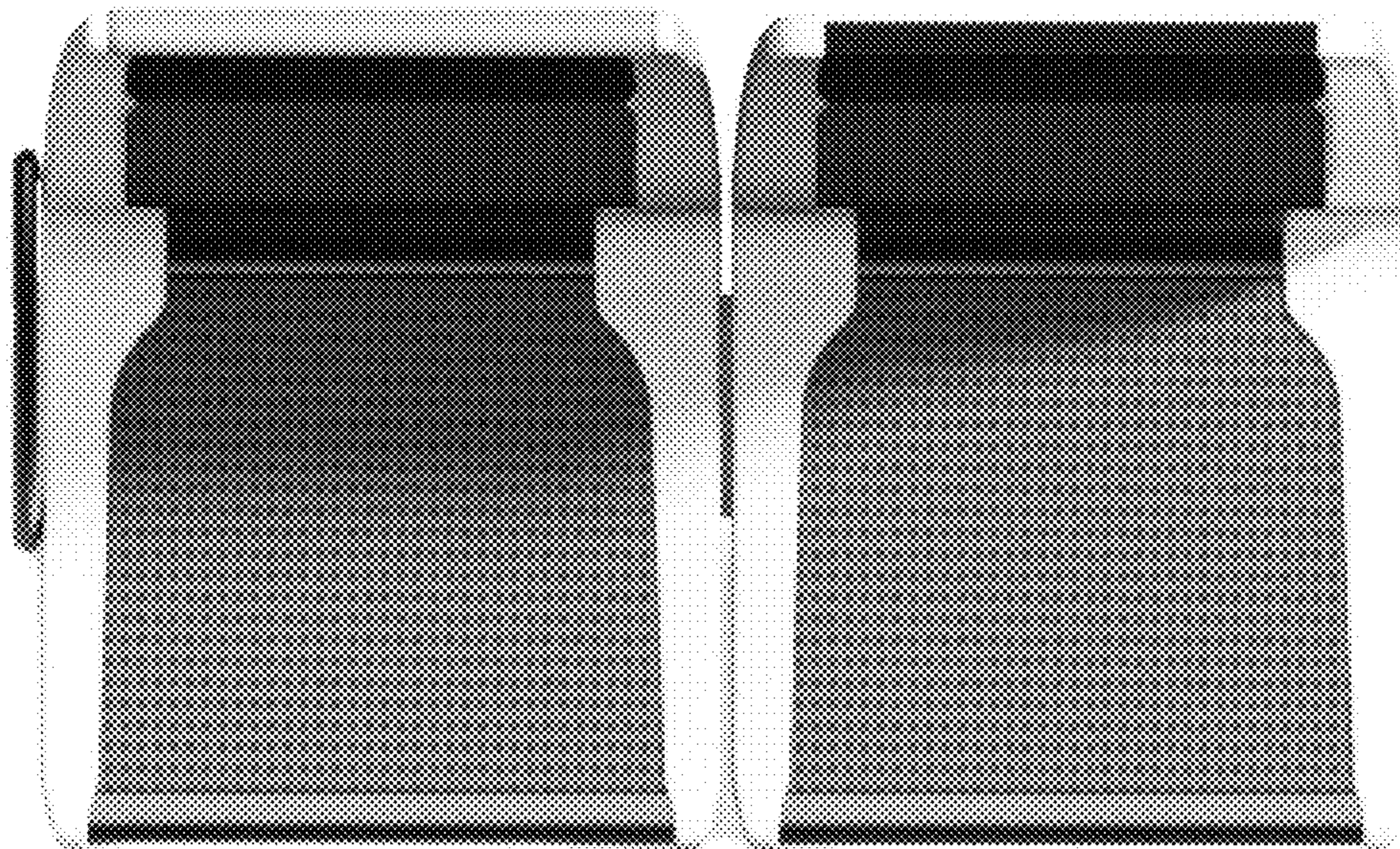


FIG. 4



FIG. 5

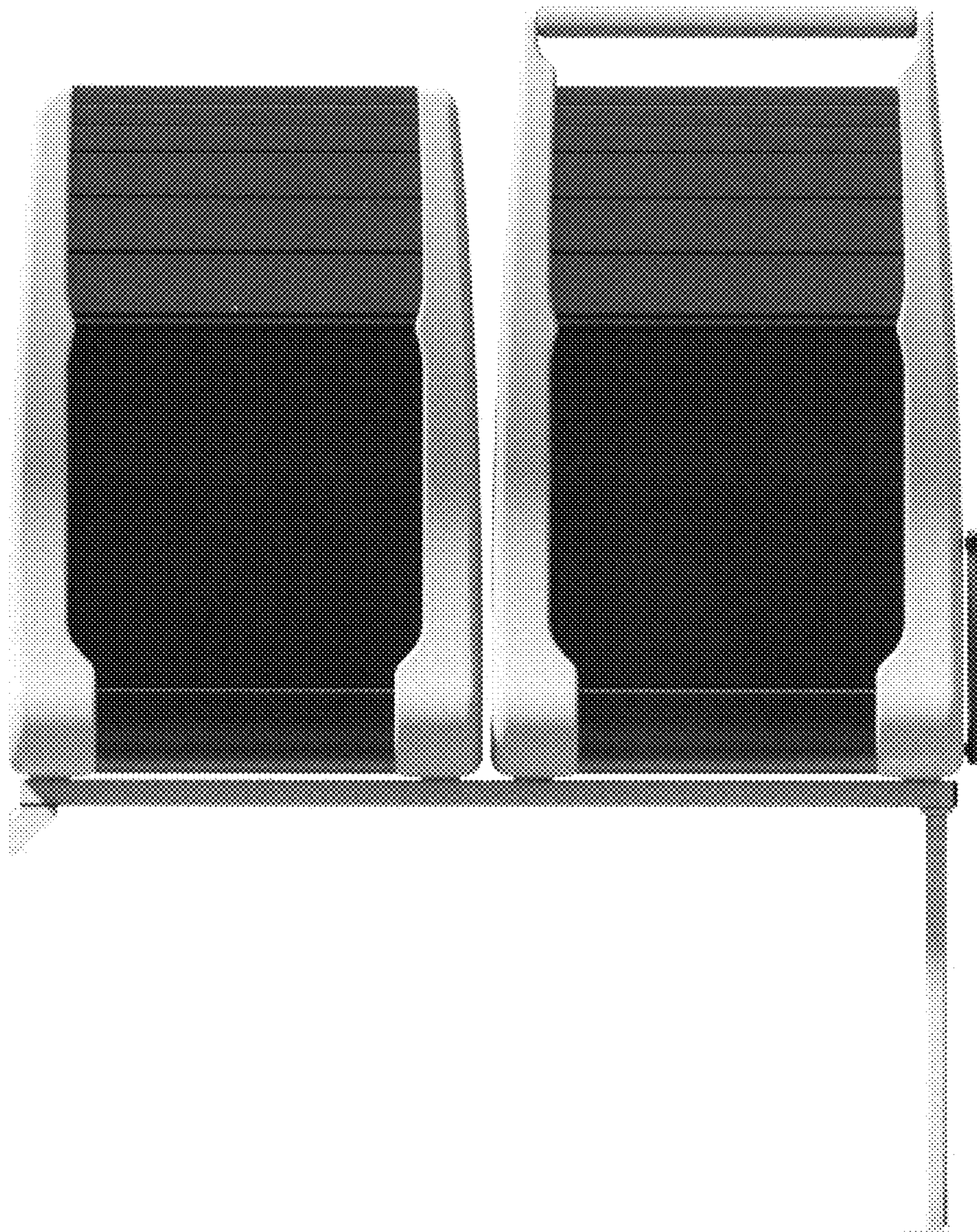


FIG. 6

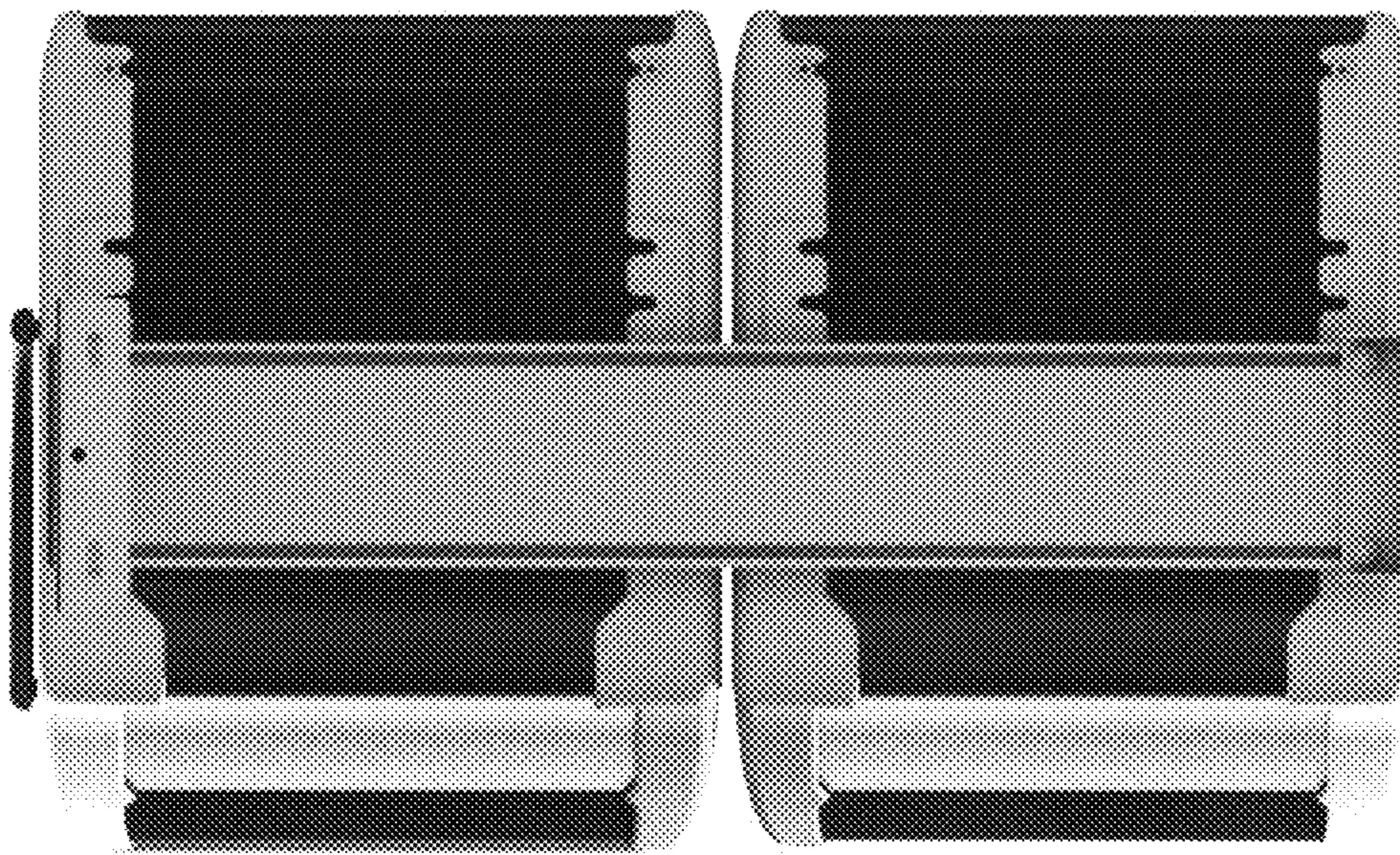


FIG. 7